



US00D811741S

(12) **United States Design Patent**
Damberg

(10) **Patent No.:** **US D811,741 S**

(45) **Date of Patent:** **** Mar. 6, 2018**

(54) **INSERT FOR TOOLBOXES**

(71) Applicant: **RAACO A/S**, Nykøbing F (DK)

(72) Inventor: **Peter-Thomas Damberg**, Nykøbing F (DK)

(**) Term: **15 Years**

(21) Appl. No.: **35/500,727**

(22) Filed: **Mar. 2, 2016**

(80) **Hague Agreement Data**

Int. Filing Date: **Mar. 2, 2016**

Int. Reg. No.: **DM/089676**

Int. Reg. Date: **Mar. 2, 2016**

Int. Reg. Pub. Date: **Mar. 18, 2016**

(51) **LOC (11) Cl.** **03-01**

(52) **U.S. Cl.**

USPC **D3/273**

(58) **Field of Classification Search**

USPC D3/273, 276, 279, 281, 282, 284, 288,
D3/291, 292, 294, 295, 297, 298, 302,
D3/901, 905

CPC . B25H 3/02-3/028; B25H 3/00; B25H 3/003;
B25H 3/006

See application file for complete search history.

(56) **References Cited**

U.S. PATENT DOCUMENTS

D493,282 S * 7/2004 Dubois B65D 43/164
D3/273
D498,049 S * 11/2004 Perella D3/273
D510,802 S * 10/2005 Sagol D3/273
D511,247 S * 11/2005 Tsuchiya D3/273
D513,122 S * 12/2005 Greene D3/273

D658,374 S * 5/2012 Anderson D3/273
D718,048 S * 11/2014 Hsu D3/273
D724,320 S * 3/2015 Russell D3/273

* cited by examiner

Primary Examiner — Barbara Fox

Assistant Examiner — Holly E Thurman

(57) **CLAIM**

The ornamental design for an insert for toolboxes, as shown and described.

DESCRIPTION

1., 3. Insert for toolboxes

FIG. 1.1 is a bottom view of an insert for toolbox showing the new design;

FIG. 1.2 is a front elevation thereof;

FIG. 1.3 is a top plan thereof;

FIG. 1.4 is a right side elevation thereof;

FIG. 1.5 is a rear elevation thereof;

FIG. 1.6 is a left side elevation thereof;

FIG. 1.7 is a front, top, and right side perspective view thereof;

FIG. 1.8 is a front, bottom, and left side perspective view thereof;

FIG. 3.1 is a bottom view of a second embodiment showing the new design;

FIG. 3.2 is a front elevation thereof;

FIG. 3.3 is a top plan thereof;

FIG. 3.4 is a right side elevation thereof;

FIG. 3.5 is a rear elevation thereof;

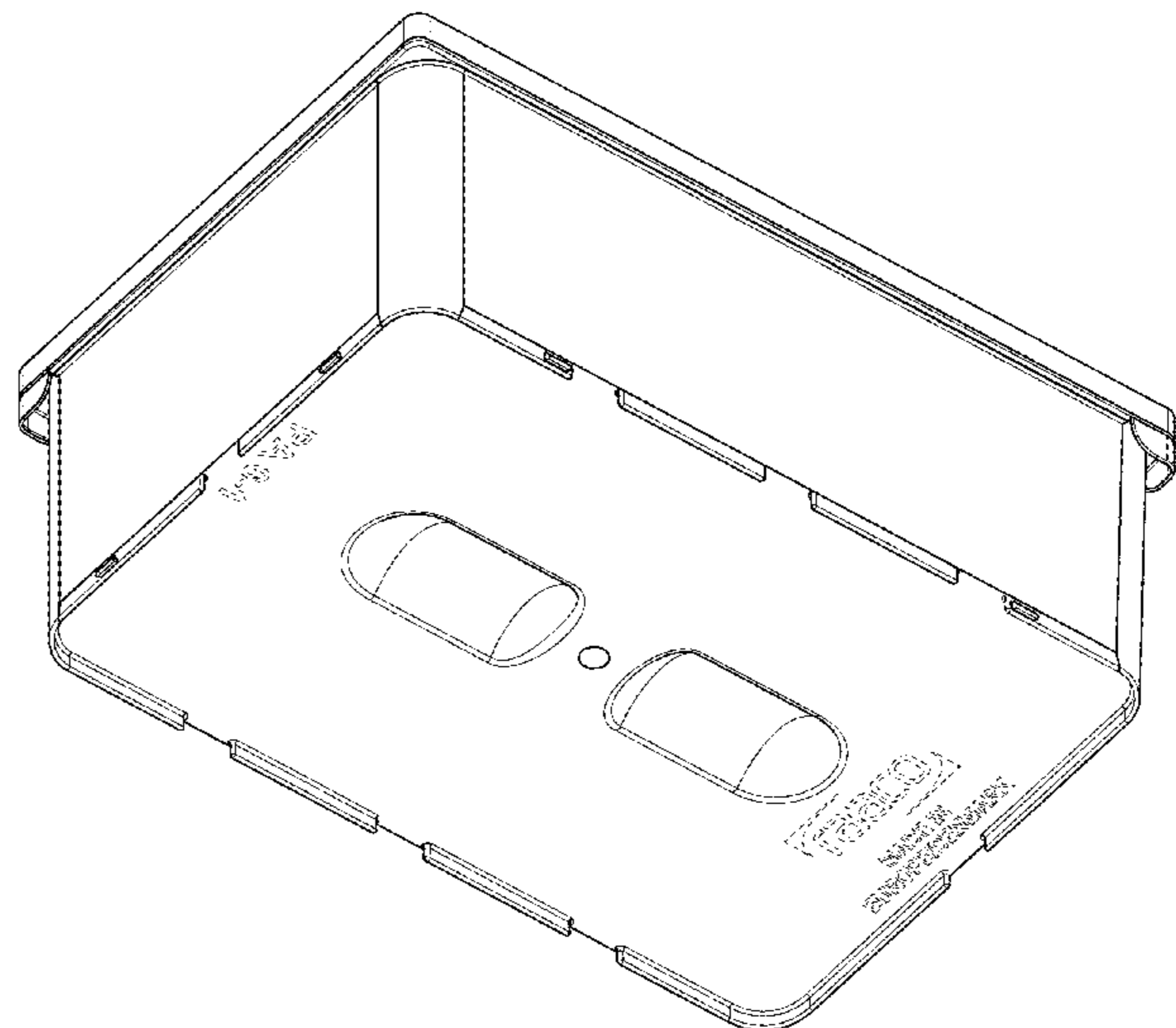
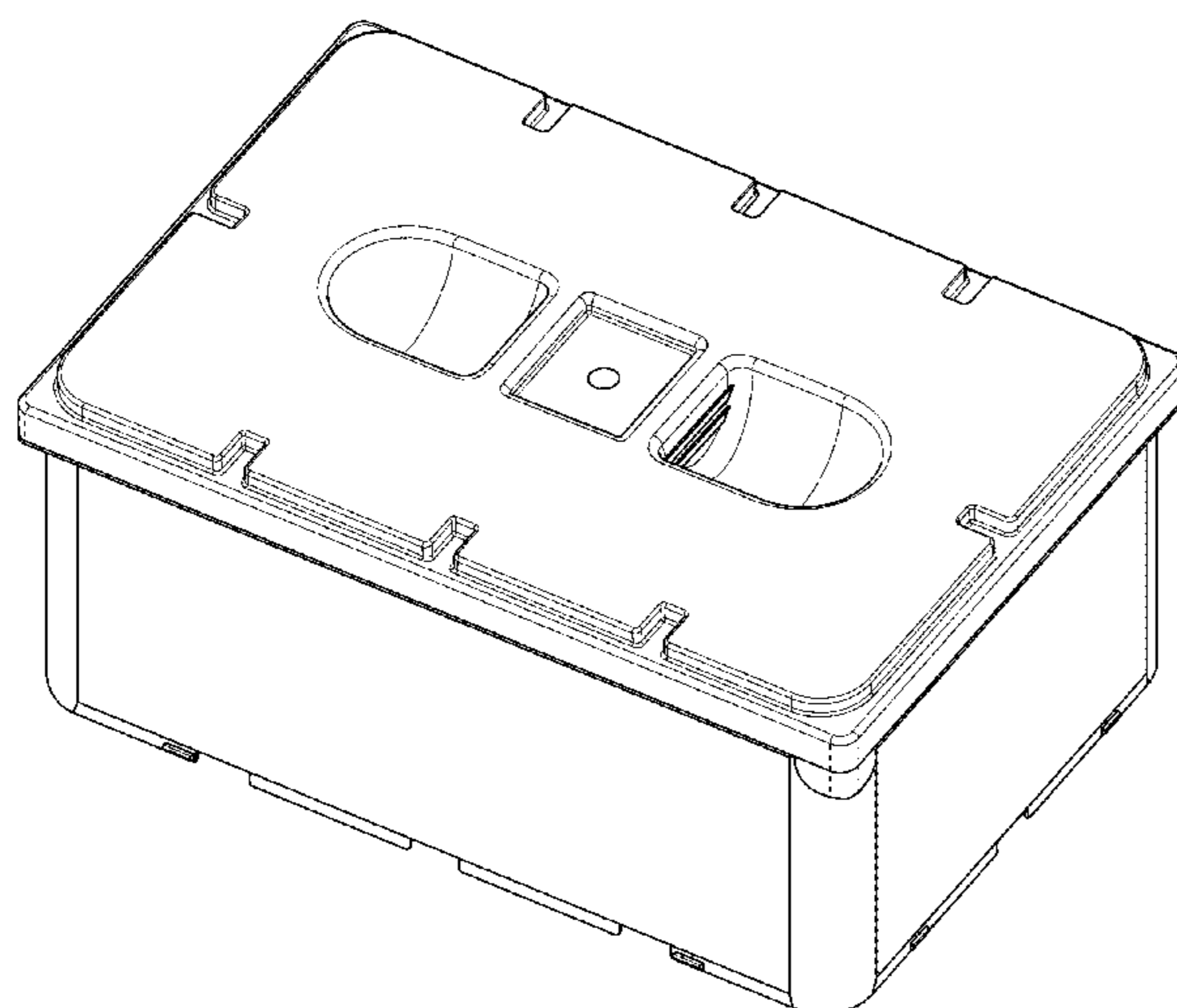
FIG. 3.6 is a left side elevation thereof;

FIG. 3.7 is a front, top, and right side perspective view thereof; and

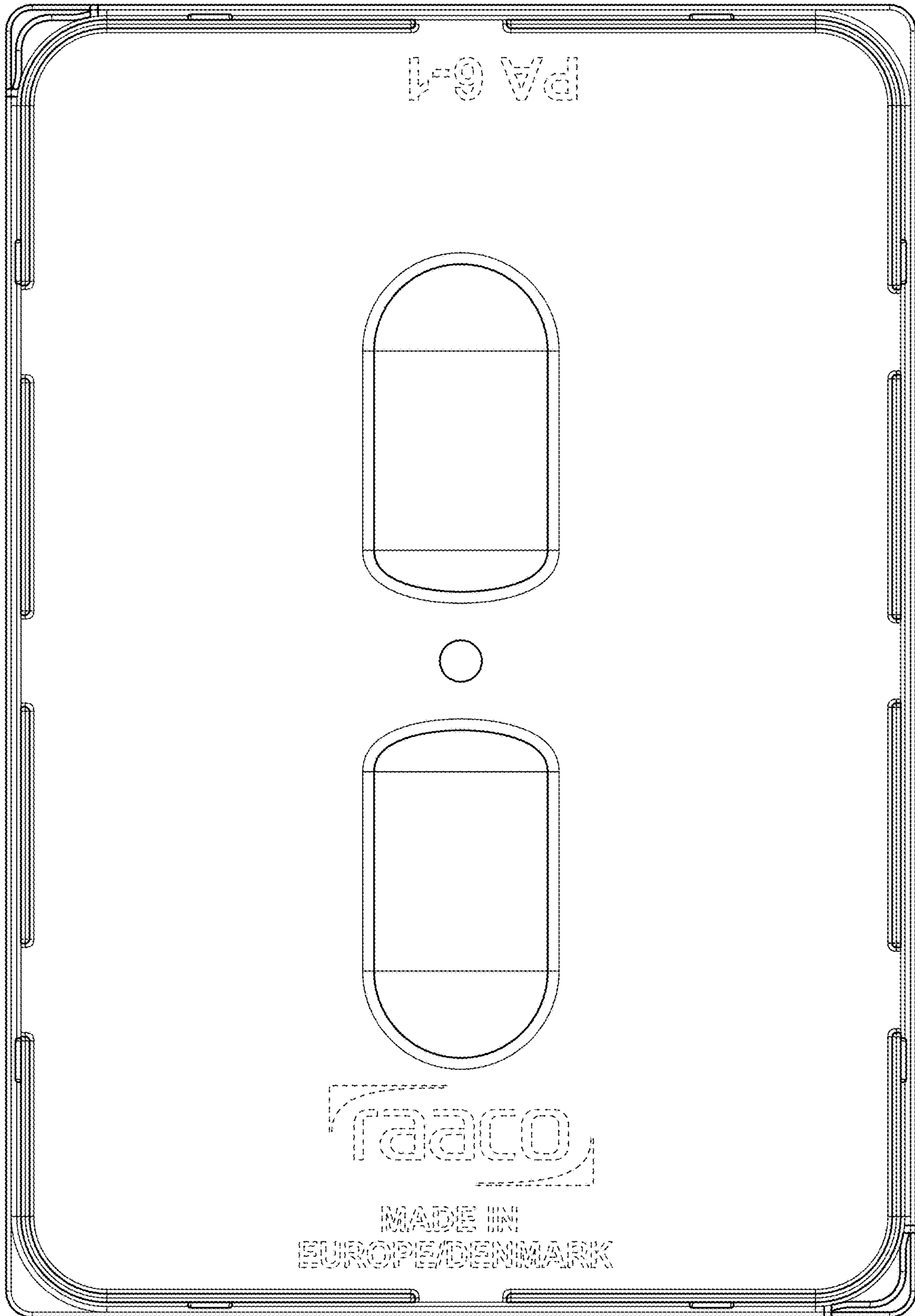
FIG. 3.8 is a front, bottom, and left side perspective view thereof.

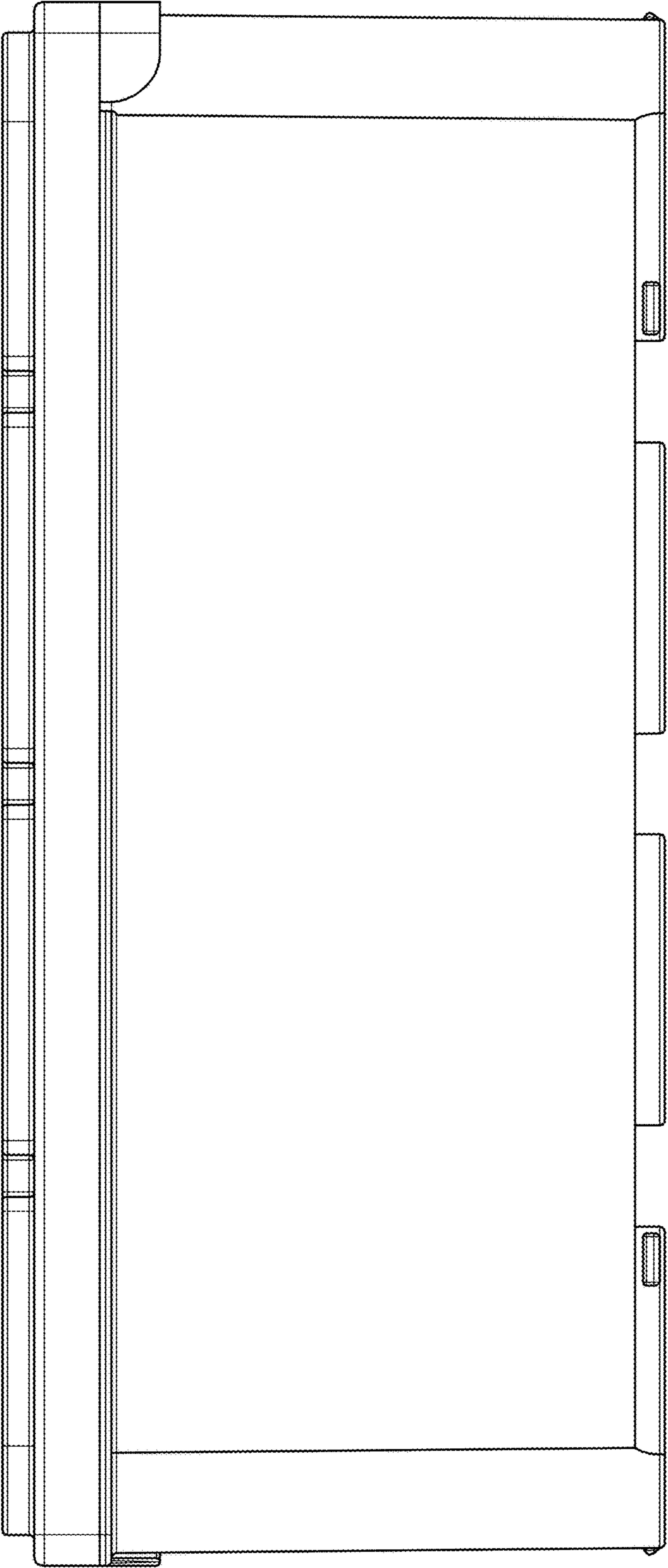
The broken lines illustrate portions of the insert for toolbox and form no part of the claimed design.

1 Claim, 16 Drawing Sheets



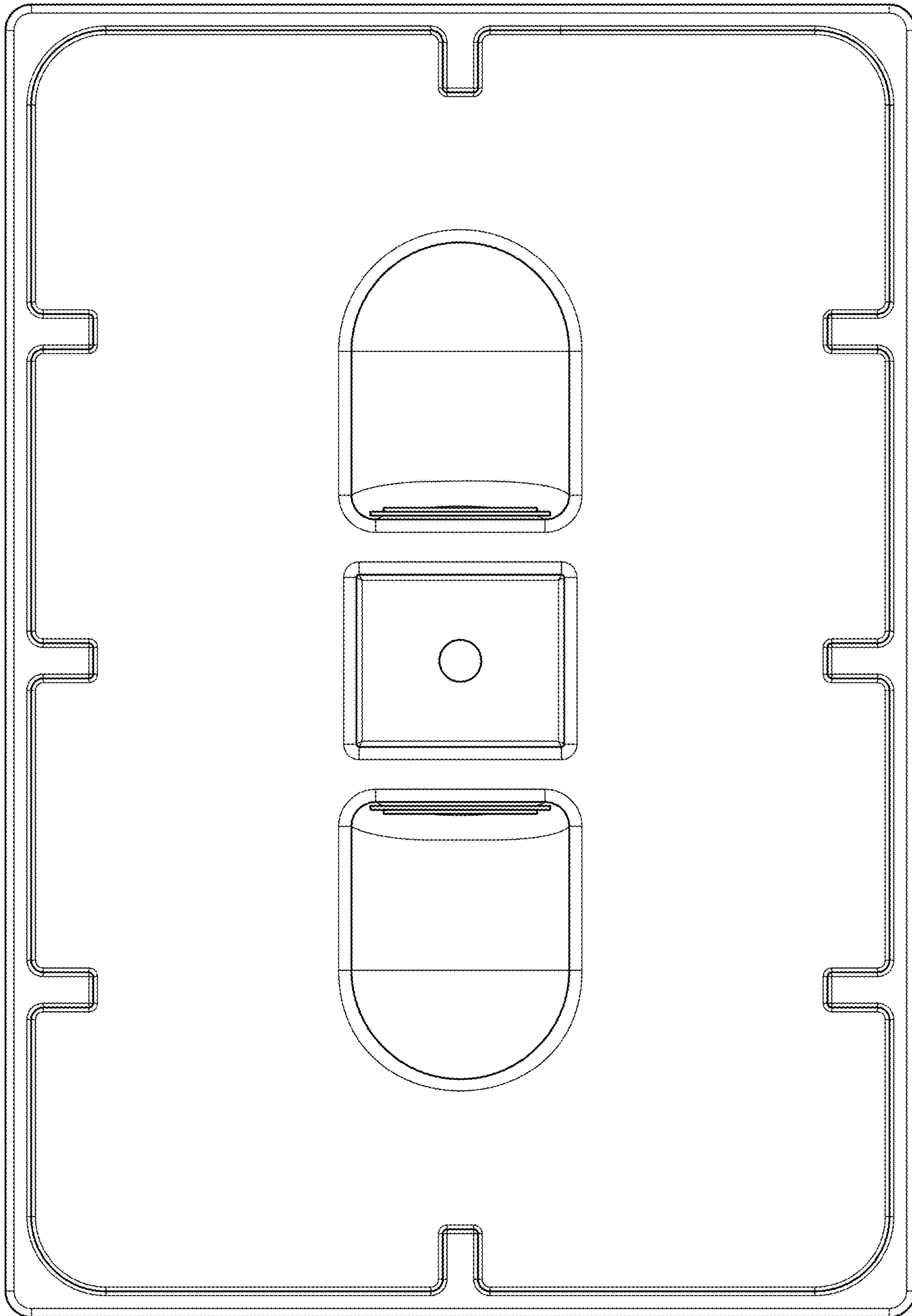
1:1

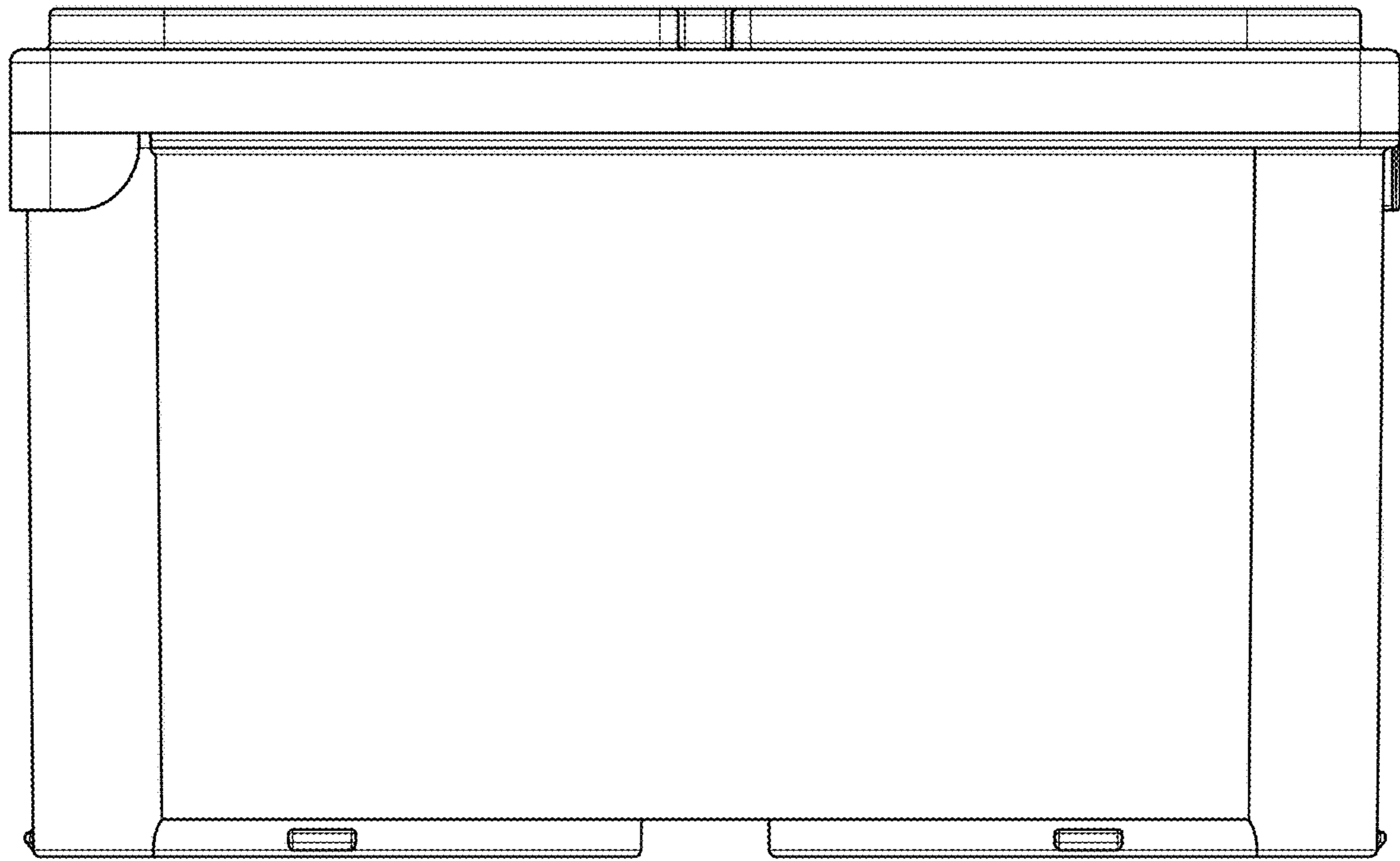




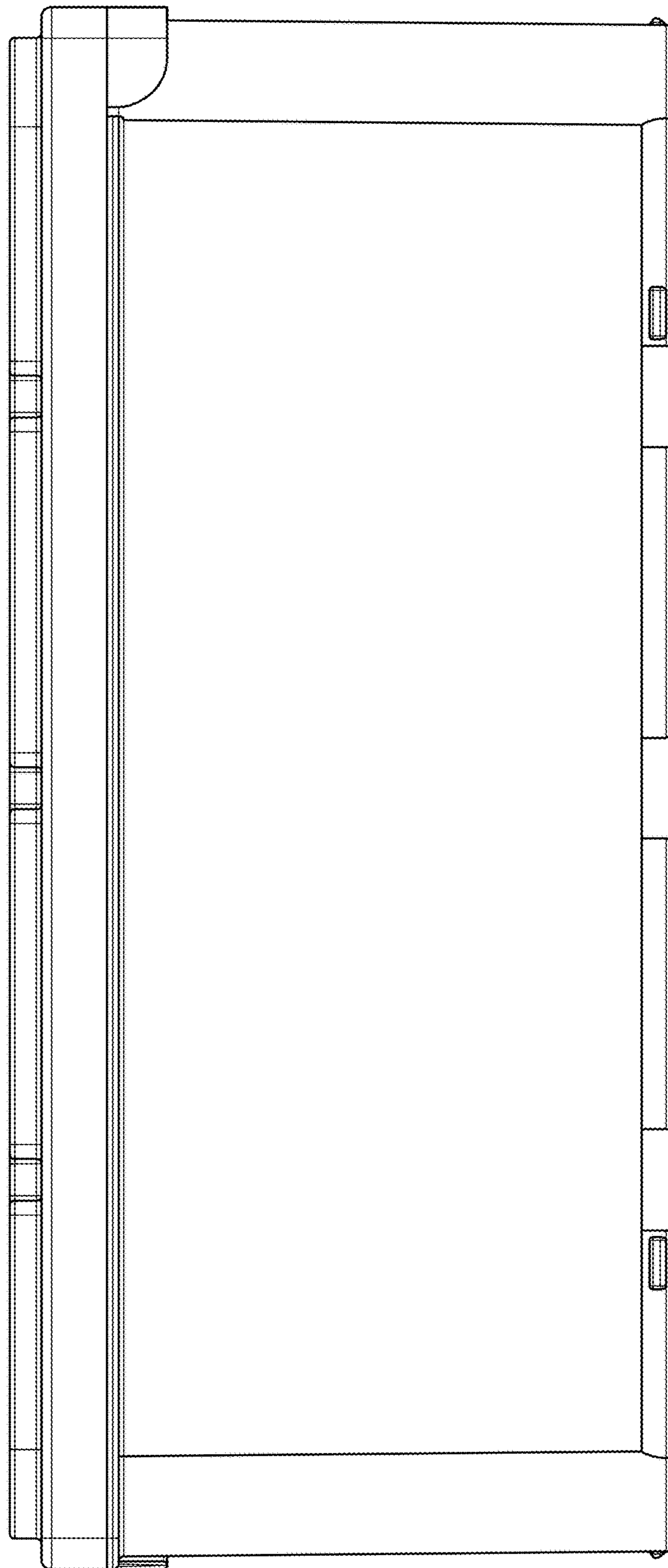
1.2

1.3

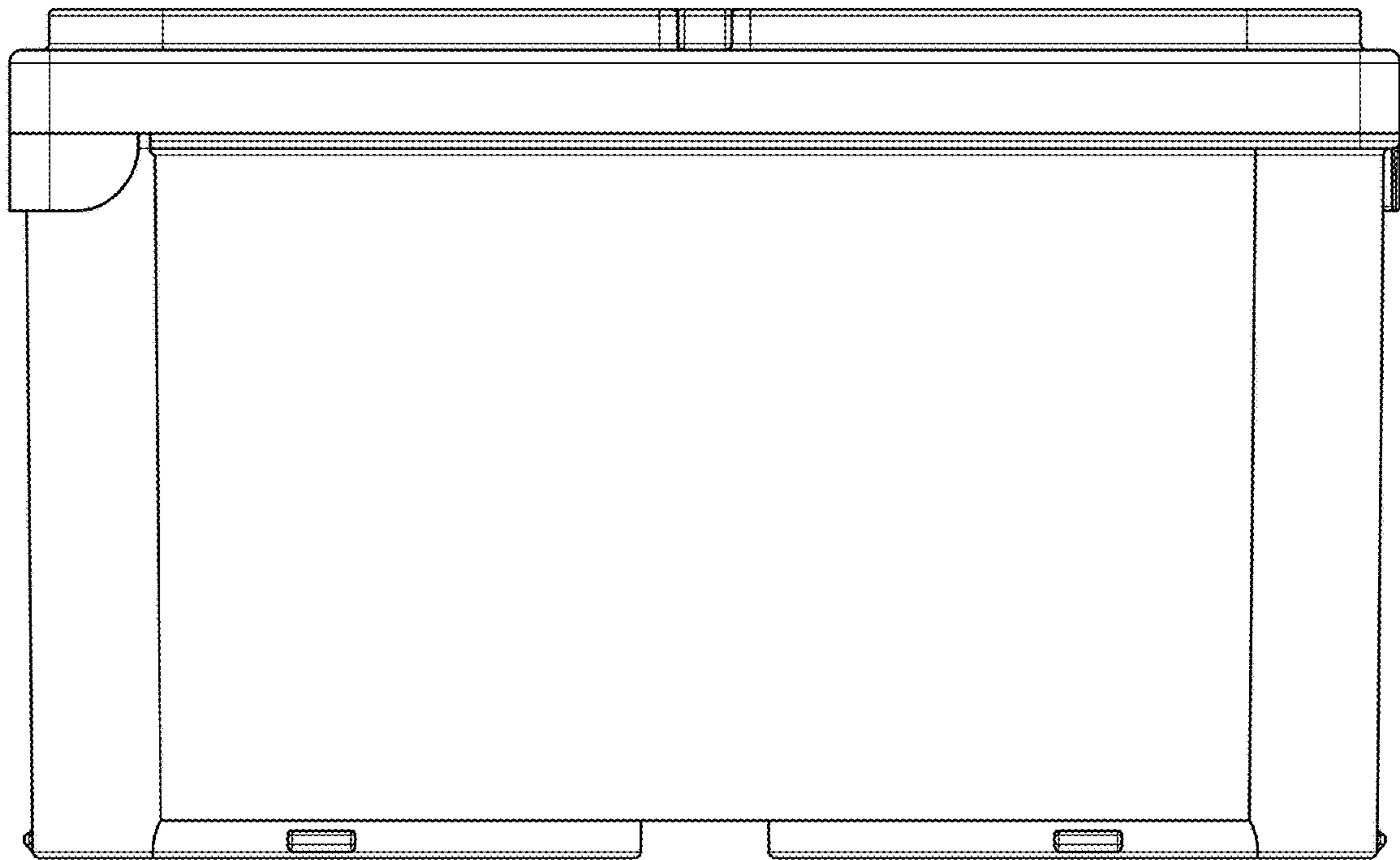




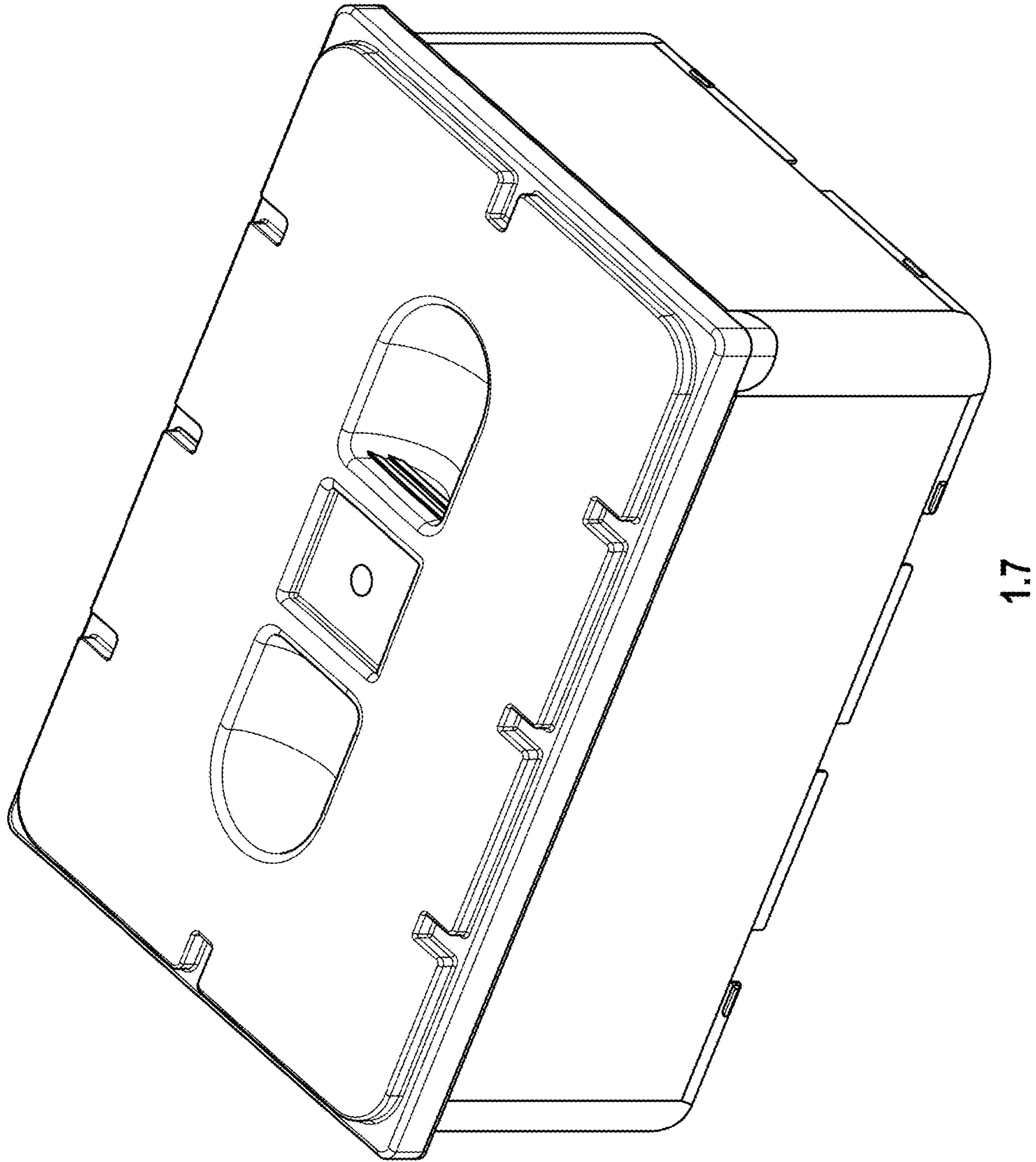
1.4



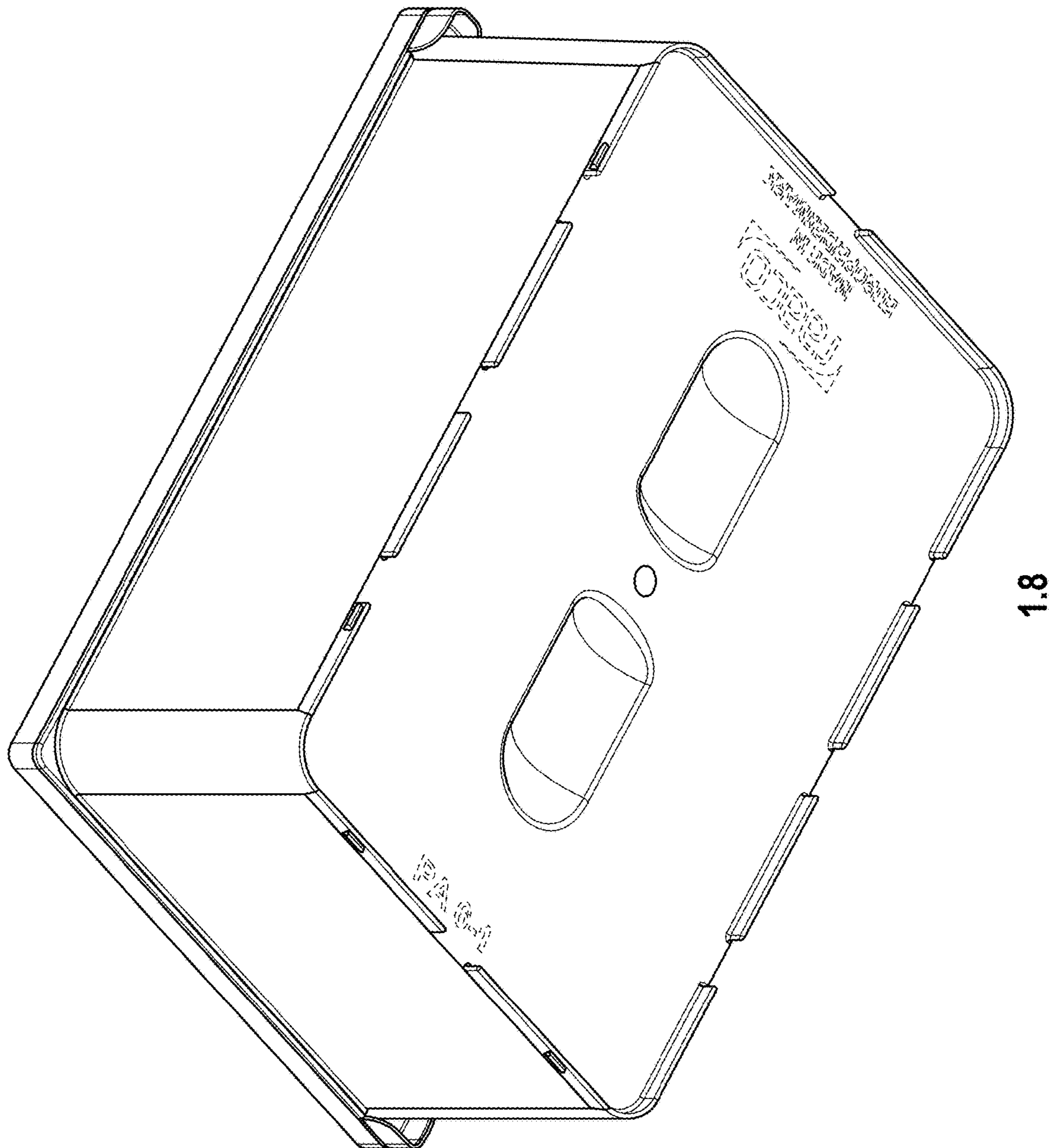
1.5

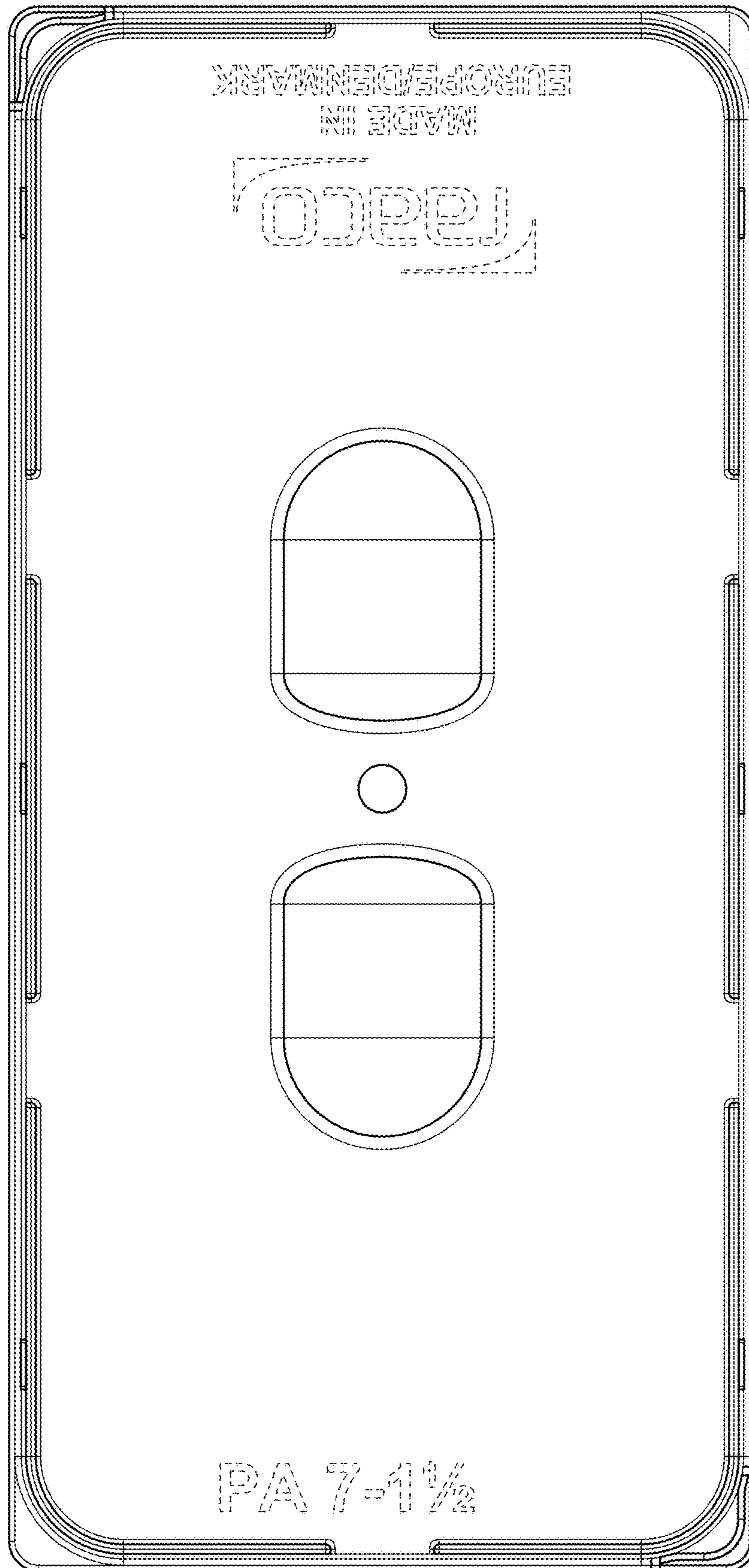


1.6

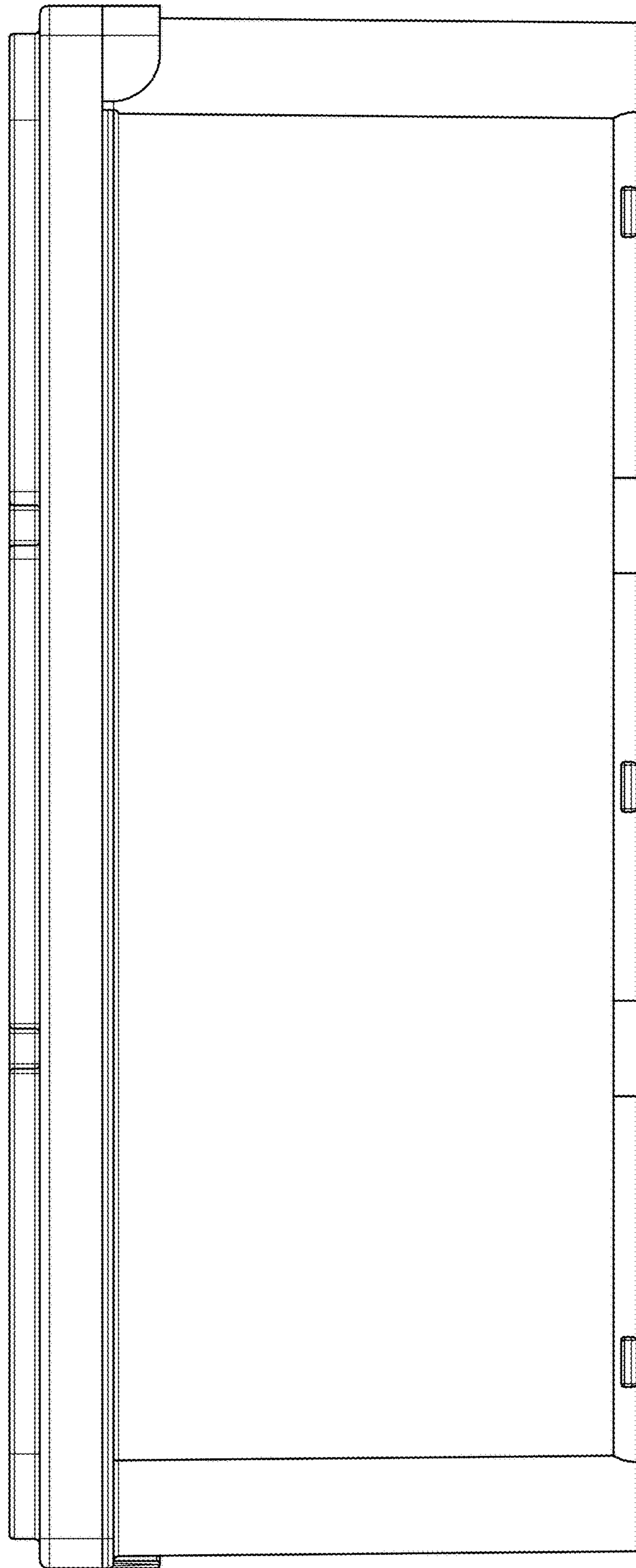


1.7

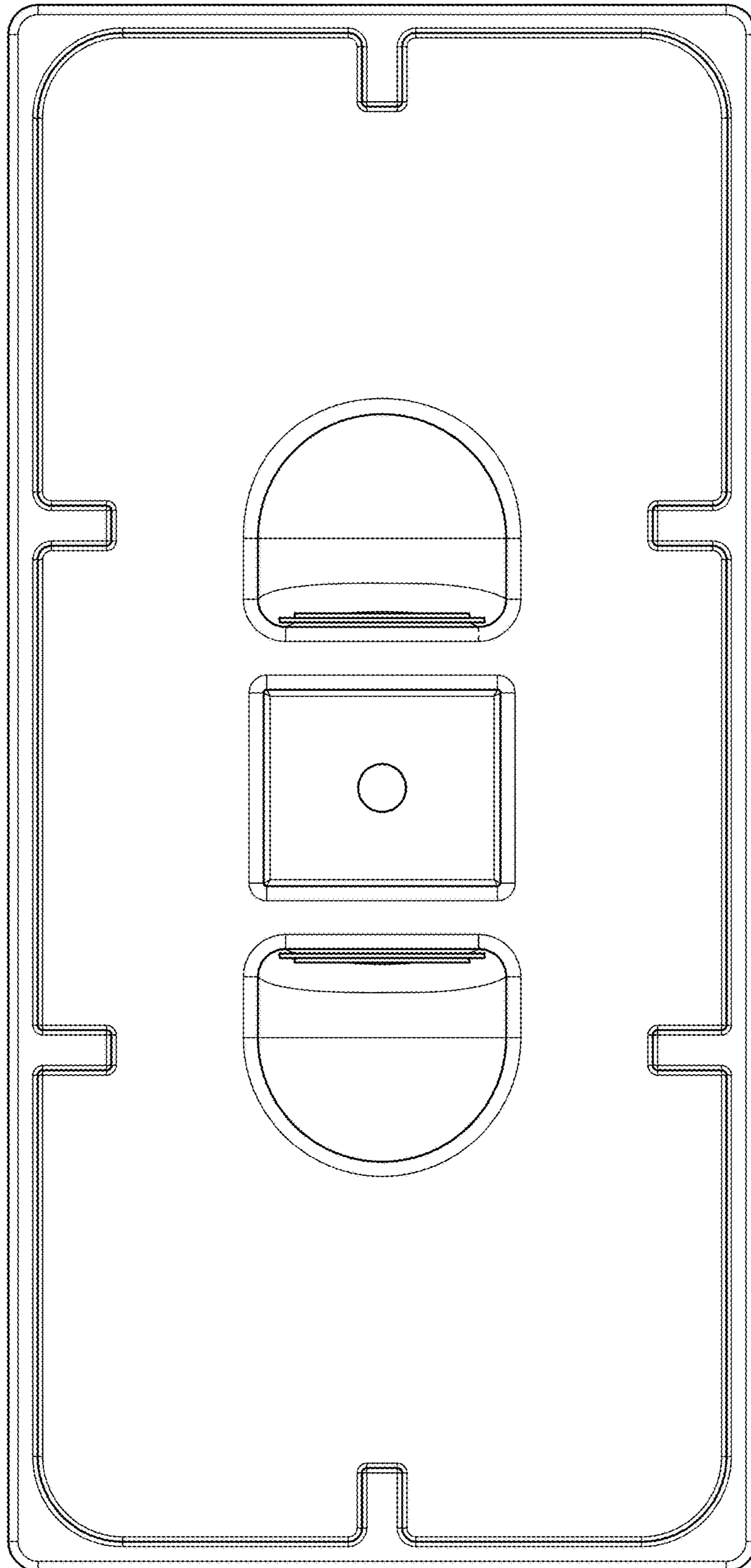




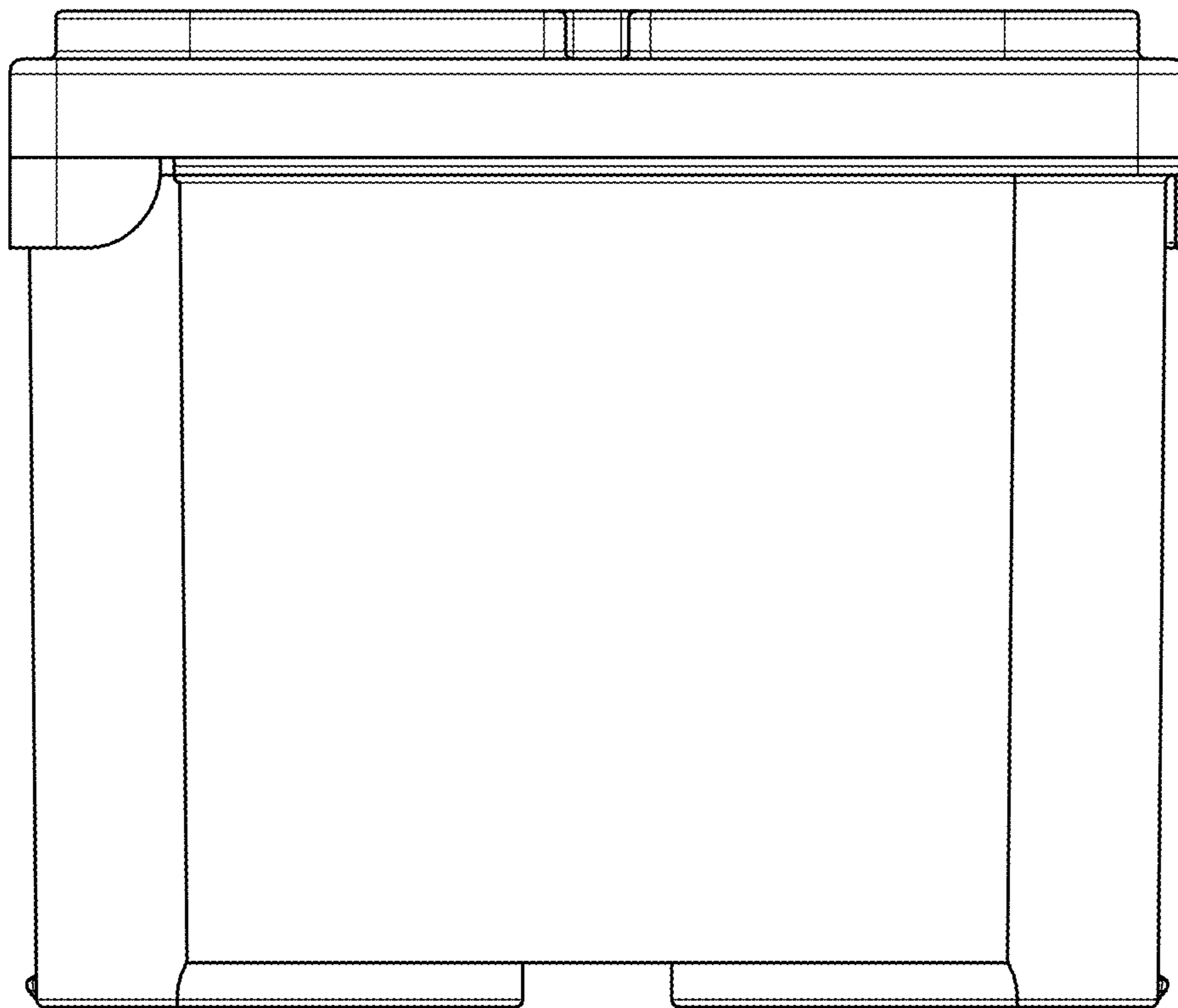
3.1



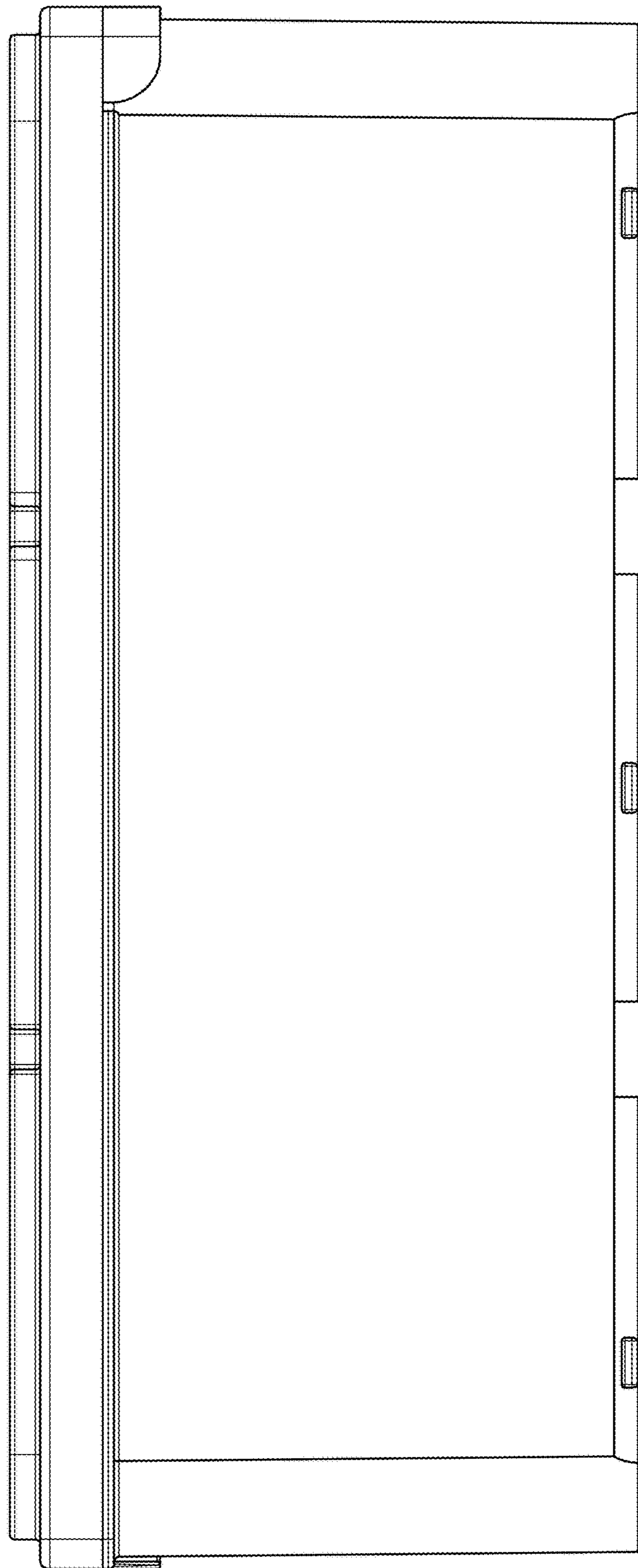
3.2



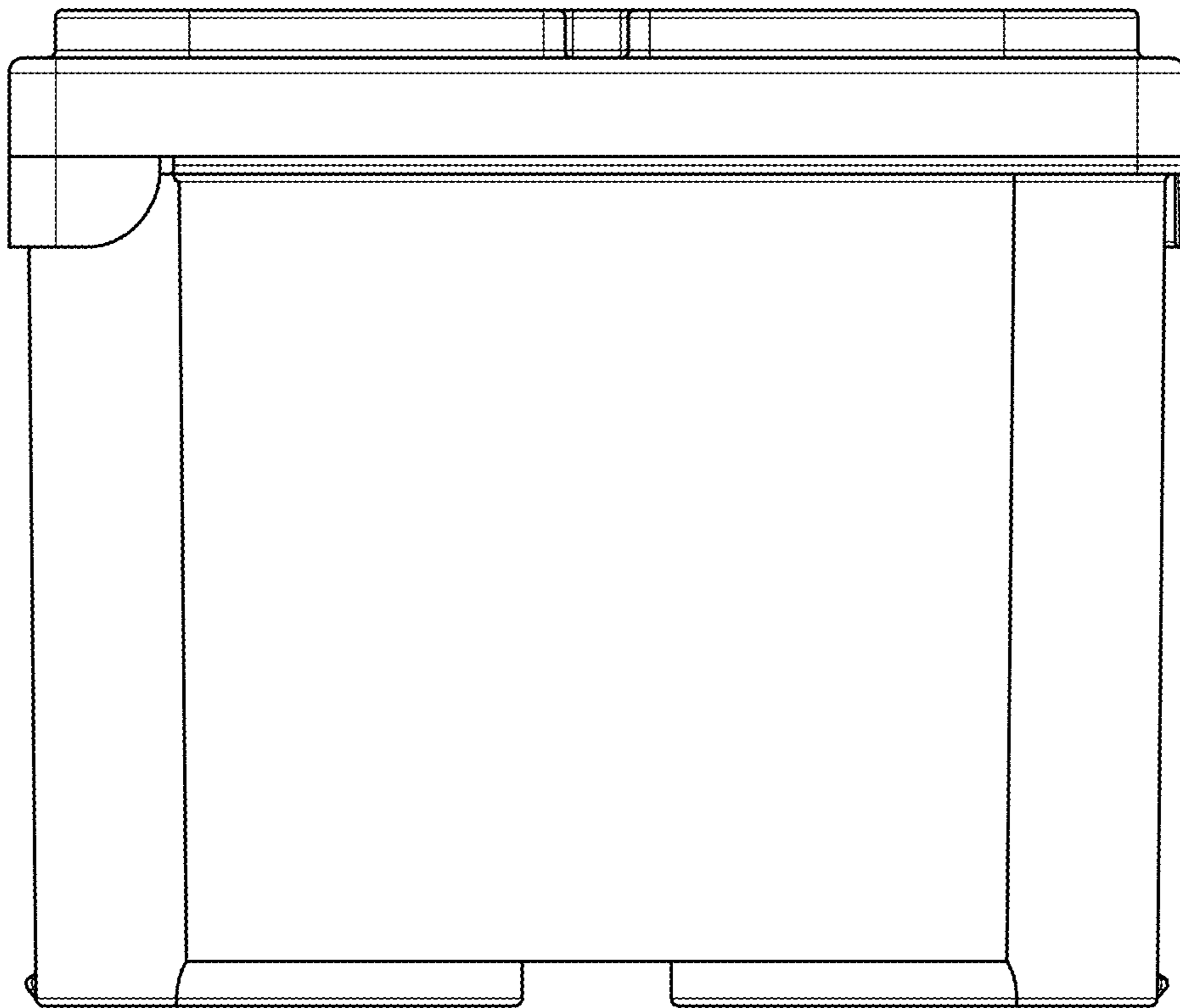
3.3



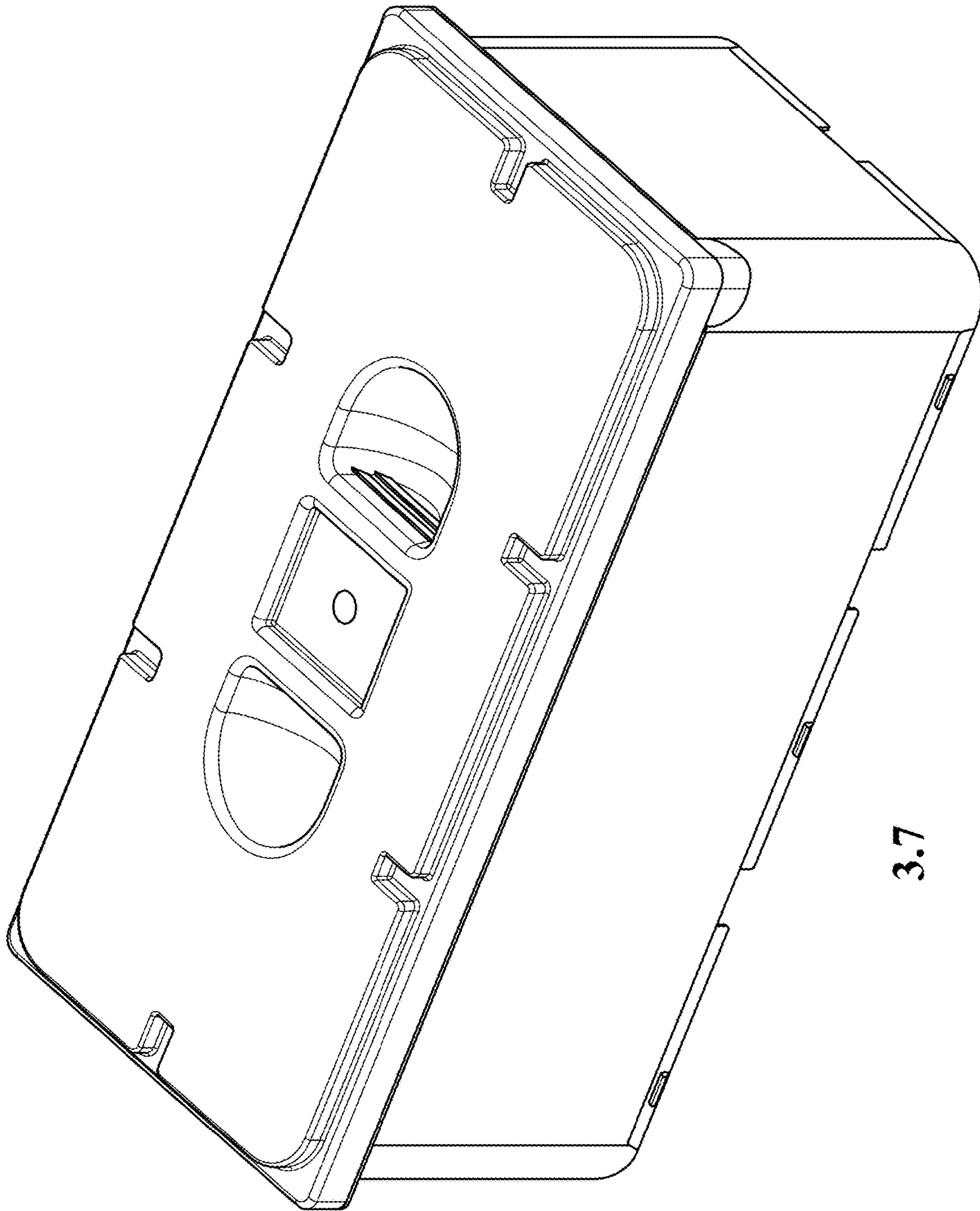
3.4



3.5



3.6



3.7

