



US00D811740S

(12) **United States Design Patent**
Harrison et al.

(10) **Patent No.:** **US D811,740 S**
(45) **Date of Patent:** **** Mar. 6, 2018**

(54) **CASE FOR LENSES**

- (71) Applicant: **CooperVision International Holding Company, LP**, St. Michael (BB)
- (72) Inventors: **Glenn Harrison**, Andover (GB); **Gary Hunt**, Bristol (GB); **Matthew Sultan Yan**, Bristol (GB)
- (73) Assignee: **CooperVision International Holding Company, LP**, St. Michael (BB)
- (**) Term: **15 Years**

- (21) Appl. No.: **29/582,507**
- (22) Filed: **Oct. 28, 2016**
- (51) **LOC (11) Cl.** **03-01**
- (52) **U.S. Cl.**
USPC **D3/264**
- (58) **Field of Classification Search**
USPC D3/219, 252, 263–265; 206/5, 5.1, 6
CPC A45C 11/04; A45C 11/005; A45C 11/38;
A45C 11/06; A45C 2011/001; G02C
3/04; A47F 7/021
See application file for complete search history.

(56) **References Cited**

U.S. PATENT DOCUMENTS

3,089,500	A	5/1963	Stalcup	
3,460,552	A *	8/1969	Sturgeon	A45C 11/005 134/135
3,856,571	A	12/1974	Sherman	
4,091,917	A	5/1978	Clawson et al.	
4,328,890	A *	5/1982	Thomas	A45C 11/005 134/901

(Continued)

FOREIGN PATENT DOCUMENTS

CN	204769688	*	11/2015	B08B 3/08
CN	204964930	*	1/2016	G02C 13/00

(Continued)

OTHER PUBLICATIONS

Captain America White Blue Contact Lens Case, Lenskart.com, [online], [site visited Oct. 6, 2017]. <URL: <http://www.lenskart.com/lenskart-captain-america-white-blue-contact-lens-case-contents-1-picker-1-solutions-bottle-lens-case-outer-box.html>> (Year: 2017).*

(Continued)

Primary Examiner — T. Chase Nelson
Assistant Examiner — Jonathan J. Han
(74) *Attorney, Agent, or Firm* — Kilyk & Bowersox, P.L.L.C.

(57) **CLAIM**

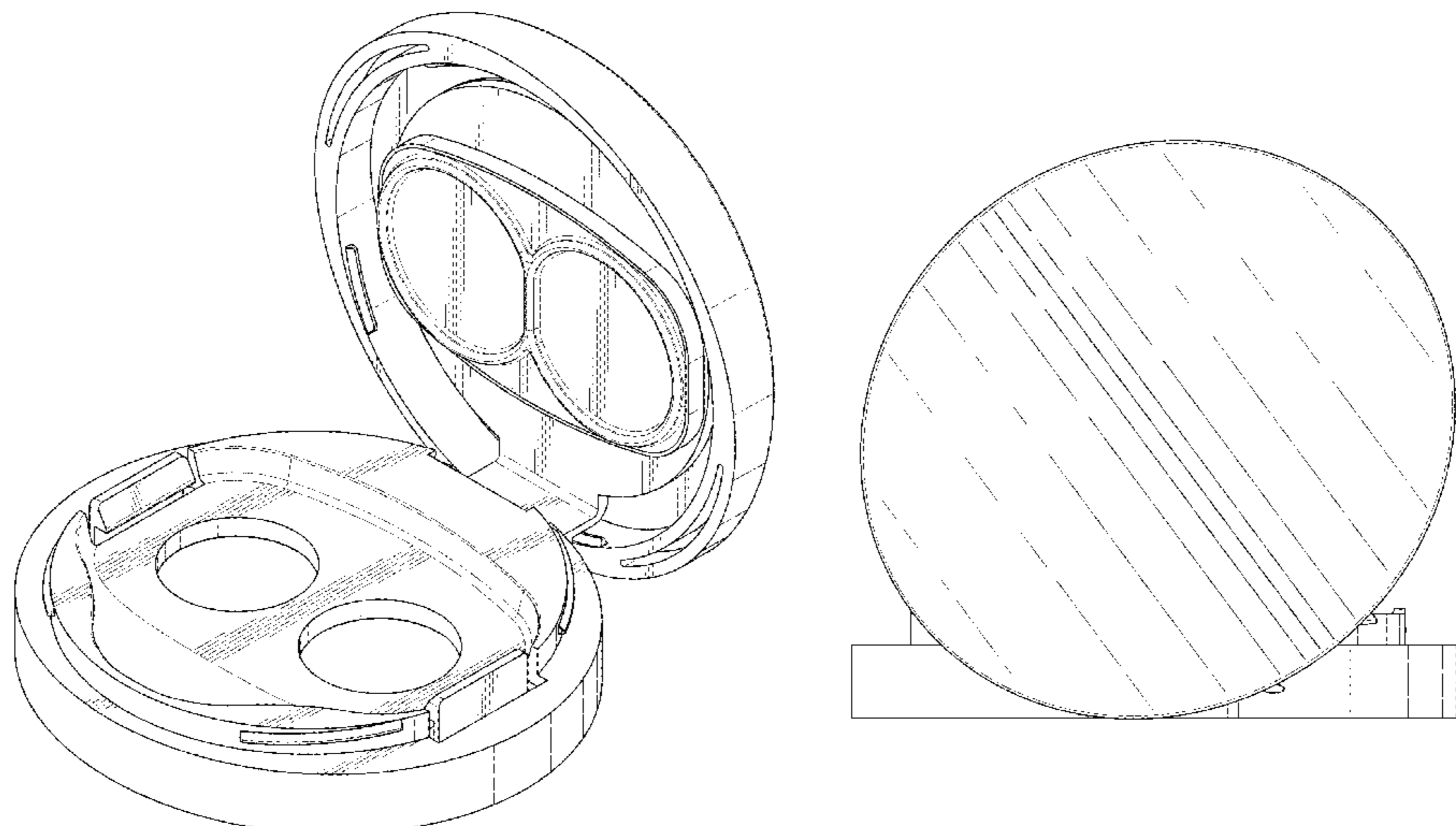
The ornamental design for a case for lenses, as shown and described.

DESCRIPTION

FIG. 1 is a perspective view of our new design of the case for lenses viewed from the front and top direction without the inner pod fitted, showing the interior structure;
 FIG. 2 is a top view thereof;
 FIG. 3 is a bottom view thereof;
 FIG. 4 is a front view thereof;
 FIG. 5 is a rear view thereof;
 FIG. 6 is a right side view thereof;
 FIG. 7 is a left side view thereof;
 FIG. 8 is a view of our new design seen in FIG. 1 shown with the inner pod fitted;
 FIG. 9 is a top view of FIG. 8;
 FIG. 10 is a bottom view of FIG. 8;
 FIG. 11 is a front view of FIG. 8;
 FIG. 12 is a rear view of FIG. 8;
 FIG. 13 is a right side view of FIG. 8; and,
 FIG. 14 is a left side view of FIG. 8.

The broken lines in the drawings are used to illustrate unclaimed parts of the invention and form no part of the claimed design.

1 Claim, 14 Drawing Sheets



(56)

References Cited

U.S. PATENT DOCUMENTS

4,337,858 A * 7/1982 Thomas A45C 11/005
 134/137
 D267,652 S * 1/1983 Thomas 206/5.1
 4,406,362 A 9/1983 Thomas et al.
 4,823,944 A 4/1989 Ryder
 5,129,999 A 7/1992 Holland et al.
 5,131,532 A * 7/1992 Ives A45C 11/005
 206/210
 D342,808 S * 12/1993 Bakic D28/82
 5,297,687 A 3/1994 Freed
 5,365,630 A 11/1994 Beckrich
 5,375,699 A * 12/1994 Amend A45C 11/005
 134/901
 5,439,572 A 8/1995 Pankow
 5,792,012 A * 8/1998 Dudley A63B 67/14
 473/588
 D405,606 S * 2/1999 Merritt D3/254
 5,871,702 A 2/1999 Kutner et al.
 D408,591 S * 4/1999 Litton D28/82
 6,244,430 B1 6/2001 Travis
 D449,523 S * 10/2001 Kaplan D9/503
 D460,218 S * 7/2002 Thorpe D28/82
 D463,628 S * 9/2002 Thorpe D28/82
 D468,058 S * 12/2002 Thorpe D28/82
 6,868,963 B2 3/2005 Borovsky
 D507,078 S * 7/2005 Greenfield D28/82
 D515,426 S * 2/2006 Pace D9/504
 D524,989 S * 7/2006 Lombardi D28/82
 D582,273 S * 12/2008 Vogel D9/449
 D622,003 S * 8/2010 Naughton D28/82
 D626,289 S * 10/2010 Lee D28/82
 D640,545 S * 6/2011 Gibson D9/428
 8,015,987 B2 9/2011 Zakutin
 D649,781 S * 12/2011 Nathanson D3/264
 D650,269 S * 12/2011 Berggren D9/423
 8,069,979 B2 12/2011 Newman et al.
 D651,519 S * 1/2012 Gibson D9/428
 D660,693 S * 5/2012 Berggren D9/421
 8,215,482 B2 * 7/2012 Cronin A24F 23/00
 206/236
 D664,840 S * 8/2012 Jones D9/423
 D681,936 S * 5/2013 Basas D3/203.2

8,701,881 B2 * 4/2014 Gibson A24F 23/00
 206/236
 D707,039 S * 6/2014 Zerlin D3/203.2
 D718,528 S * 12/2014 Garavaglia D3/264
 D723,274 S * 3/2015 Almanaseer D3/264
 D756,790 S * 5/2016 Henriksson D9/504
 D773,302 S * 12/2016 Henriksson D9/451
 D797,449 S * 9/2017 Peng D3/301
 2005/0133382 A1 6/2005 Gerard et al.

FOREIGN PATENT DOCUMENTS

DE 9216029 U1 1/1993
 JP H07237682 A 9/1995
 WO 2013182849 A1 12/2013

OTHER PUBLICATIONS

Round White Contact Lens Mirror Case Ideal Travel Kit, NeonMegastore.com, [online], [site visited Oct. 6, 2017]. <URL: <http://www.neonmegastore.com/round-white-contact-lens-mirror-case-ideal-travel-kit.html>> (Year: 2017).*

Wholesale-Lady Contact Lens Box, DHgate.com, [online], [site visited Oct. 6, 2017]. <URL: <https://www.dhgate.com/product/wholesale-lady-women-perfume-bottle-design/386646799.html#sb3-4-1b;hotl4232234685>> (Year: 2017).*

Single Well Compact w/mirror Item #: 439PE-ES1141, AluminumLipstickCase.com, [online], [site visited Oct. 6, 2017]. <URL: <http://aluminumlipstickcase.com/cosmetic-compact.html>> (Year: 2017).*

Lancome Miracle Cushion Liquid Cushion Compact Foundation, Ulta.com, [online], [site visited Oct. 6, 2017]. <URL: <http://www.ulta.com/miracle-cushion-liquid-cushion-compact-foundation?productId=xlsImpprod12371019#>> (Year: 2017).*

Vintage Antique Style Brass Tobacco Snuff or Pill Box Ring Container Box, EarlyHomeDecor.com, [online], [site visited Oct. 6, 2017]. <URL: <https://www.earlyhomedecor.com/collections/snuff-boxes/products/vintage-antique-style-brass-tobacco-snuff-or-pill-box-ring-container-box>> (Year: 2017).*

U.S. Appl. No. 15/335,836, filed Oct. 27, 2016 (53 pages).
 Design U.S. Appl. No. 29/582,504, filed Oct. 28, 2016 (7 pages).
 Design U.S. Appl. No. 29/582,505, filed Oct. 28, 2016 (7 pages).

* cited by examiner

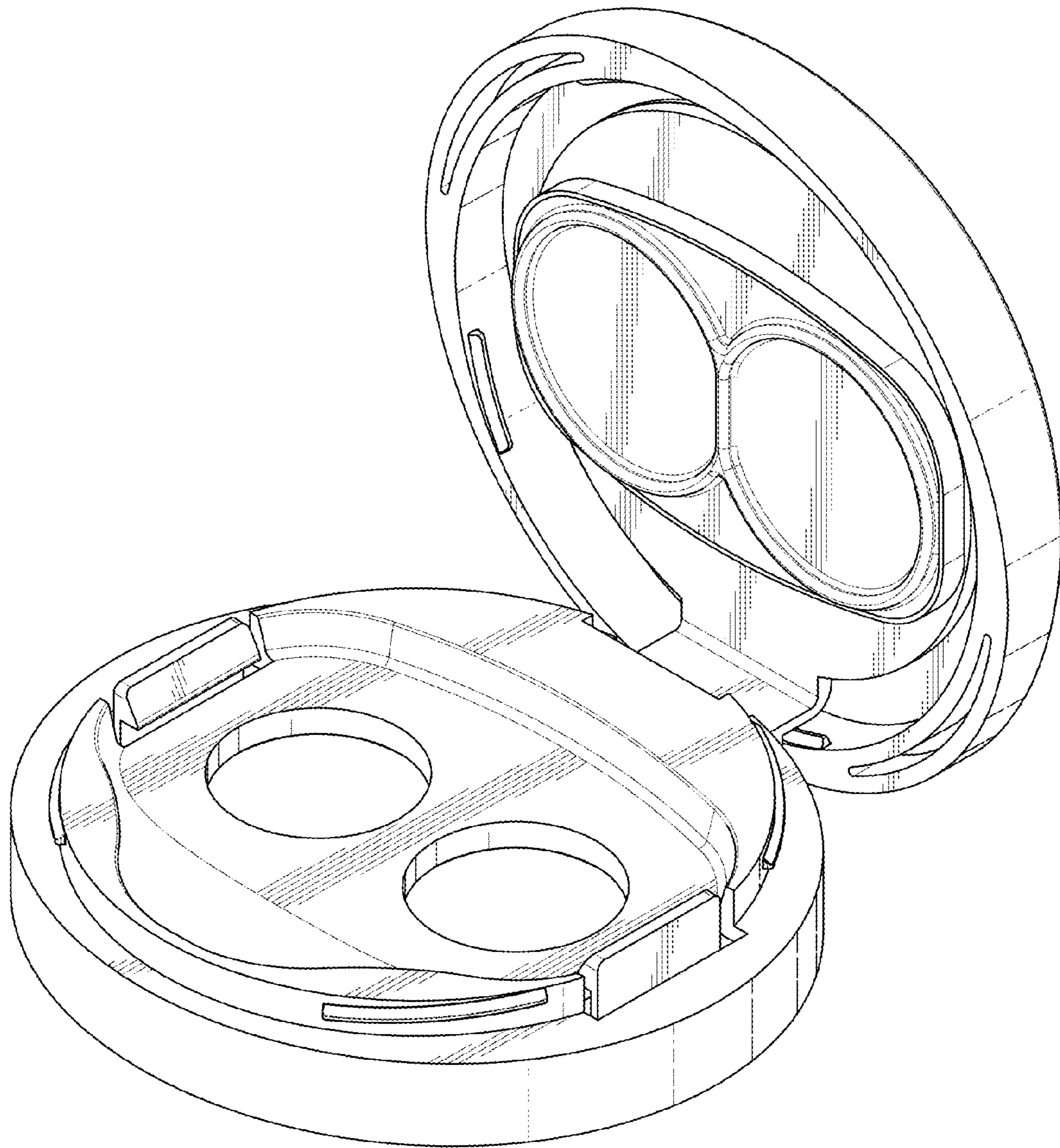


FIG. 1

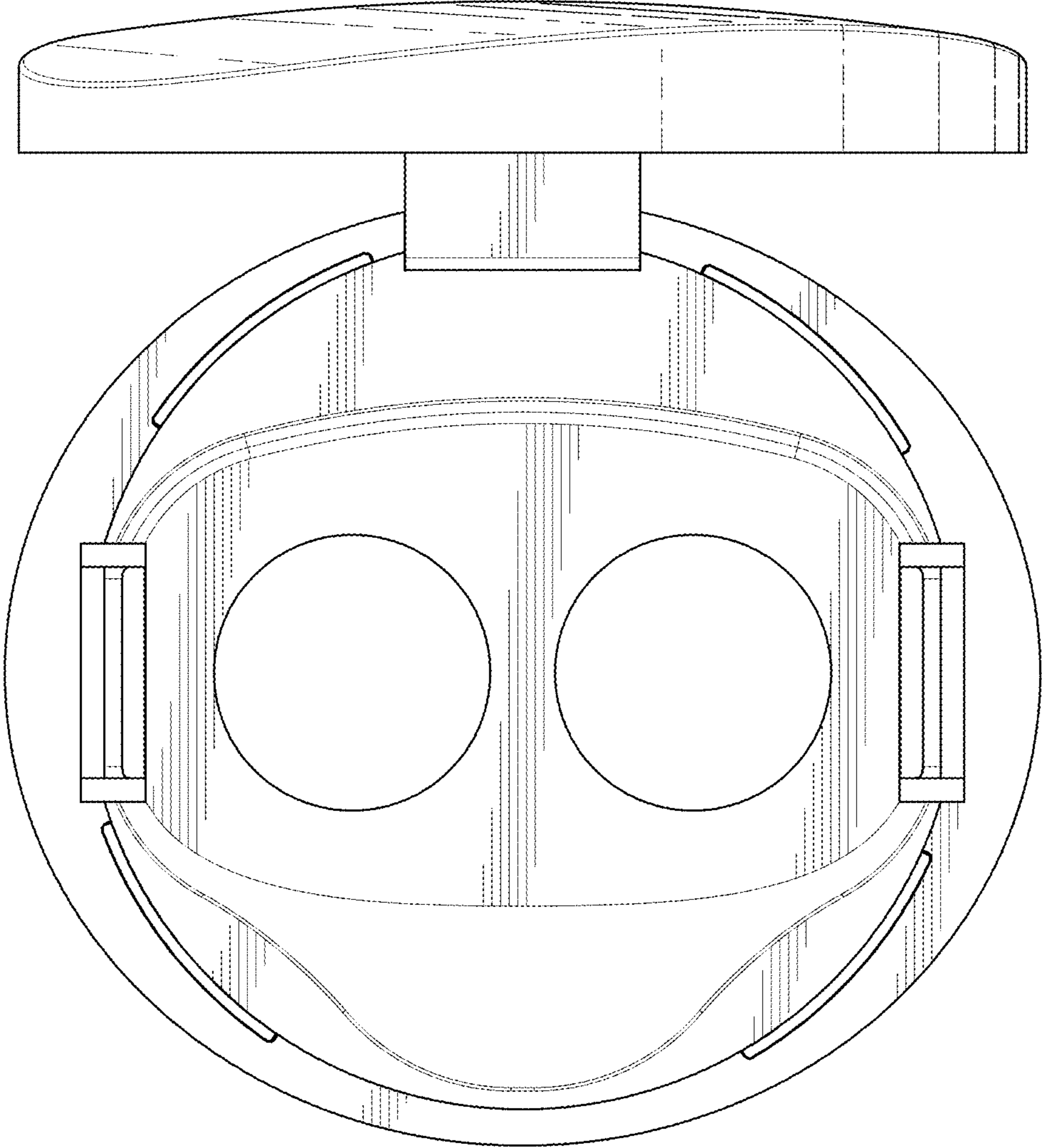


FIG. 2

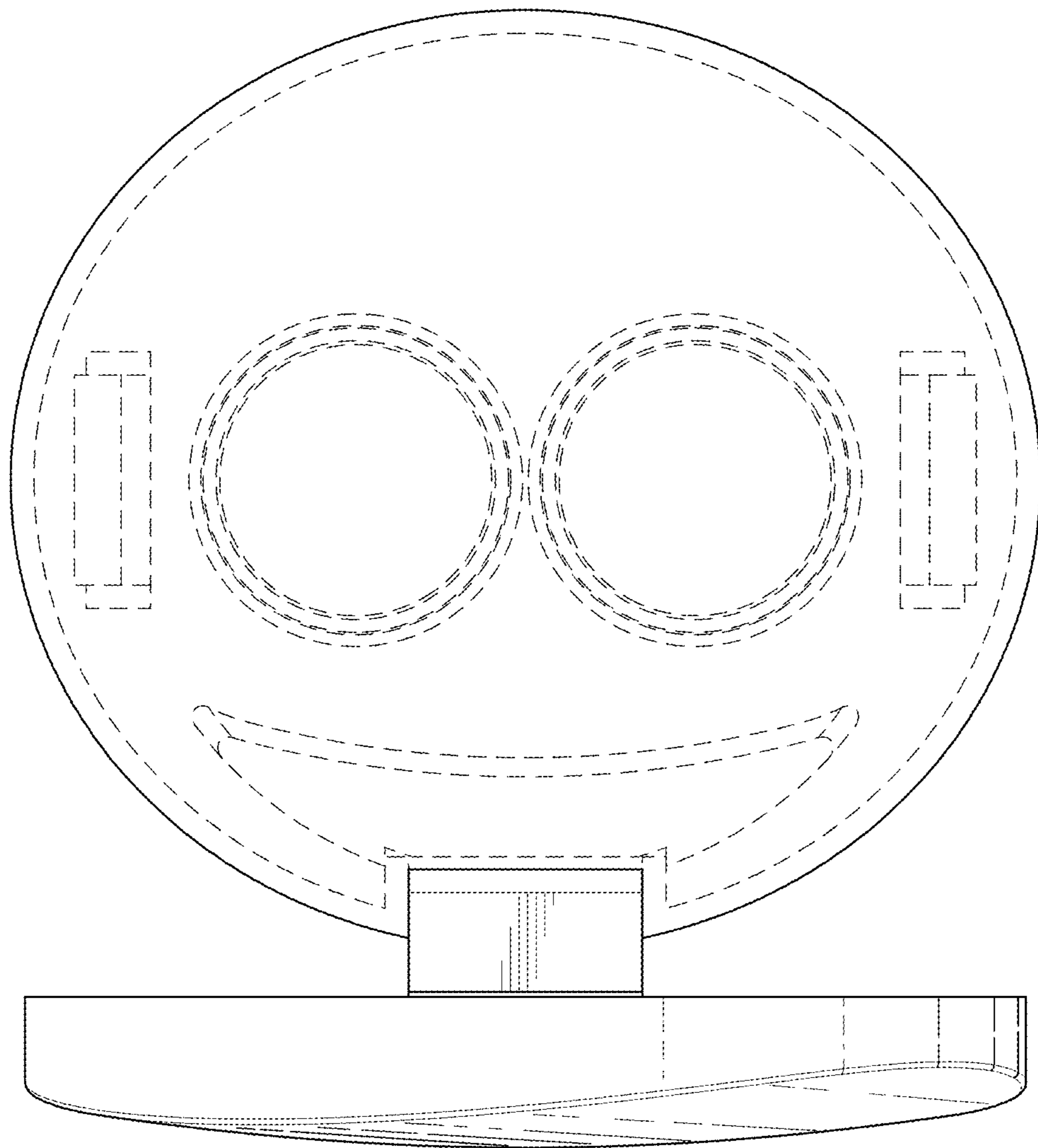


FIG. 3

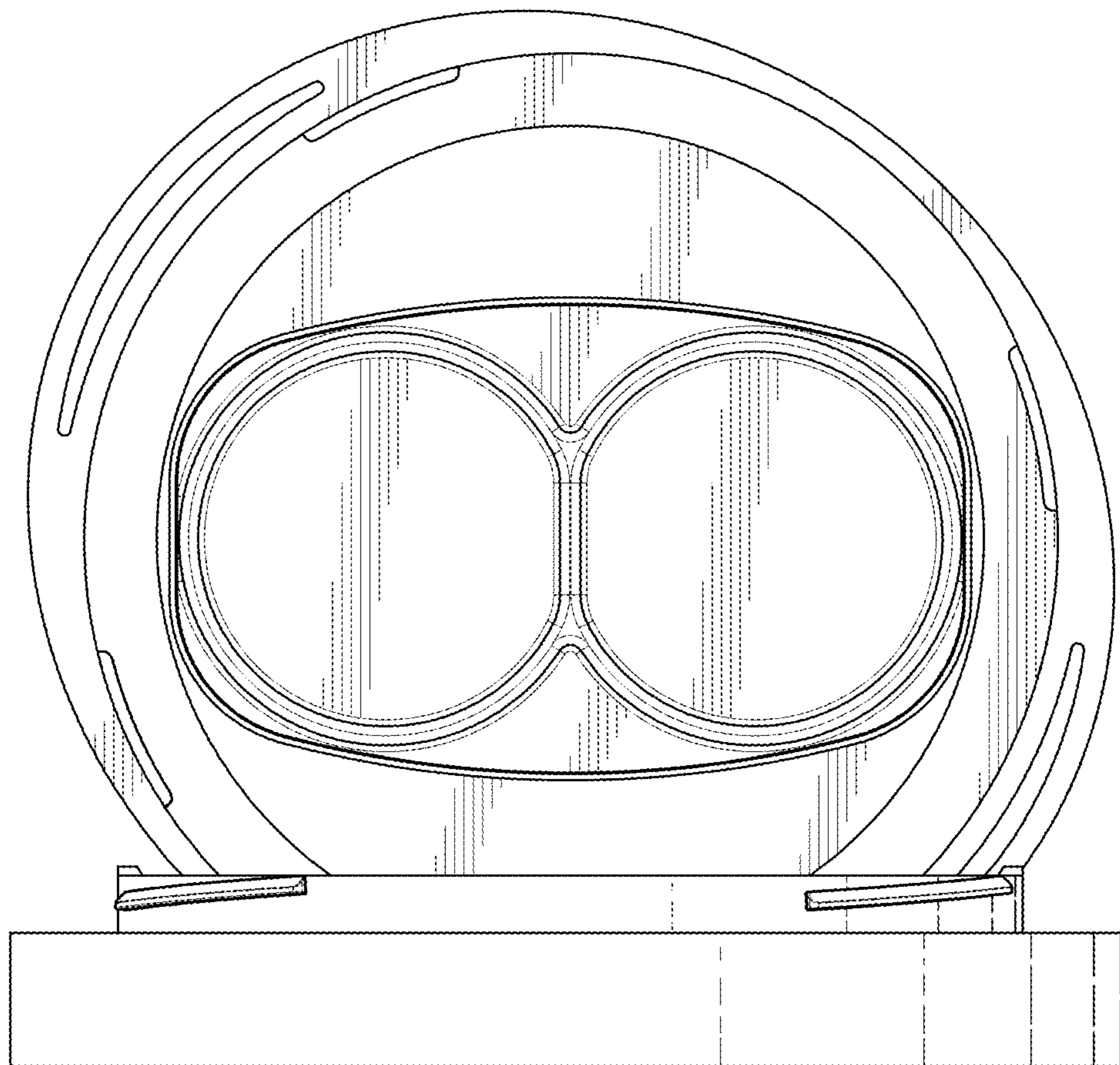


FIG. 4

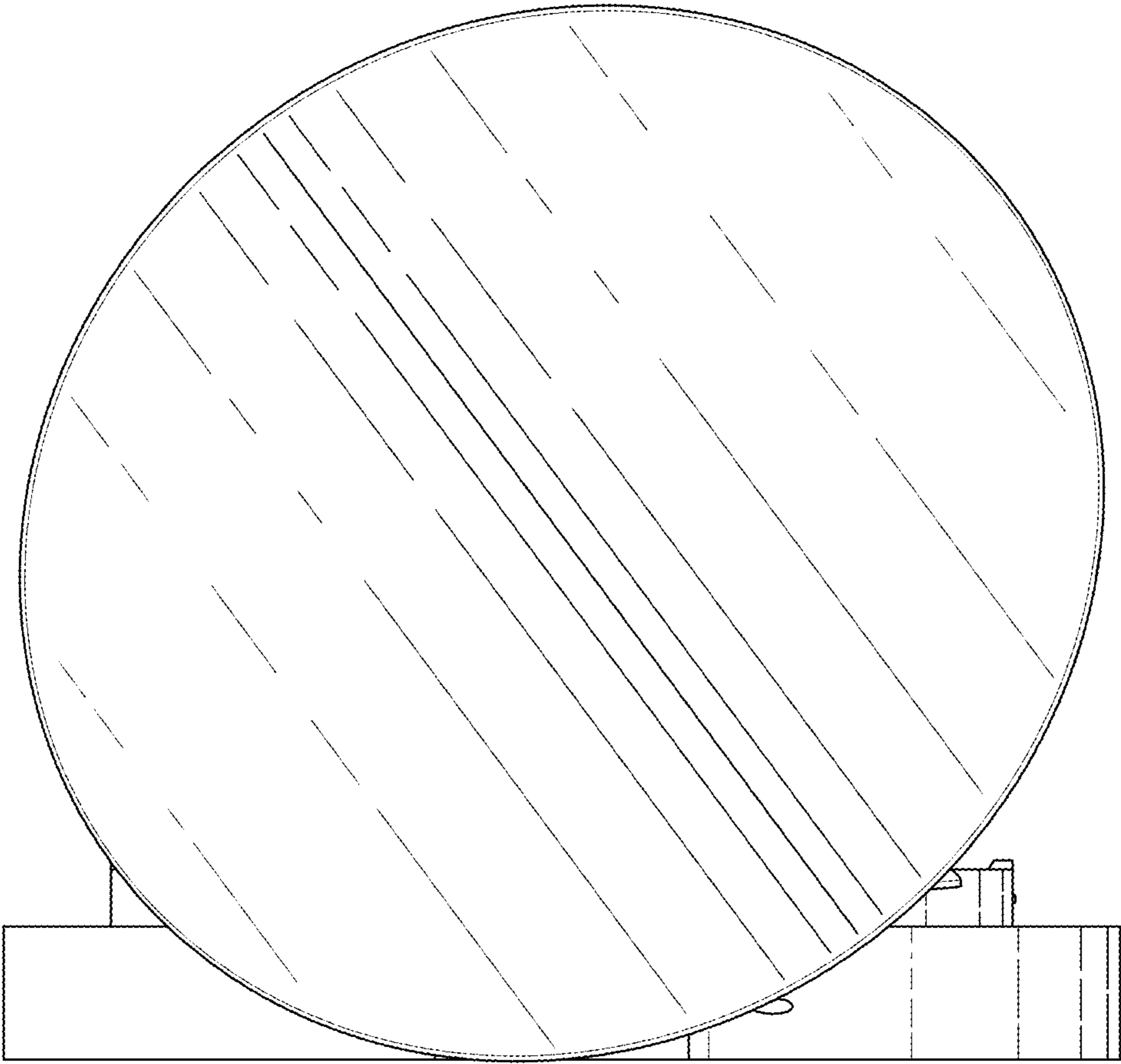


FIG. 5

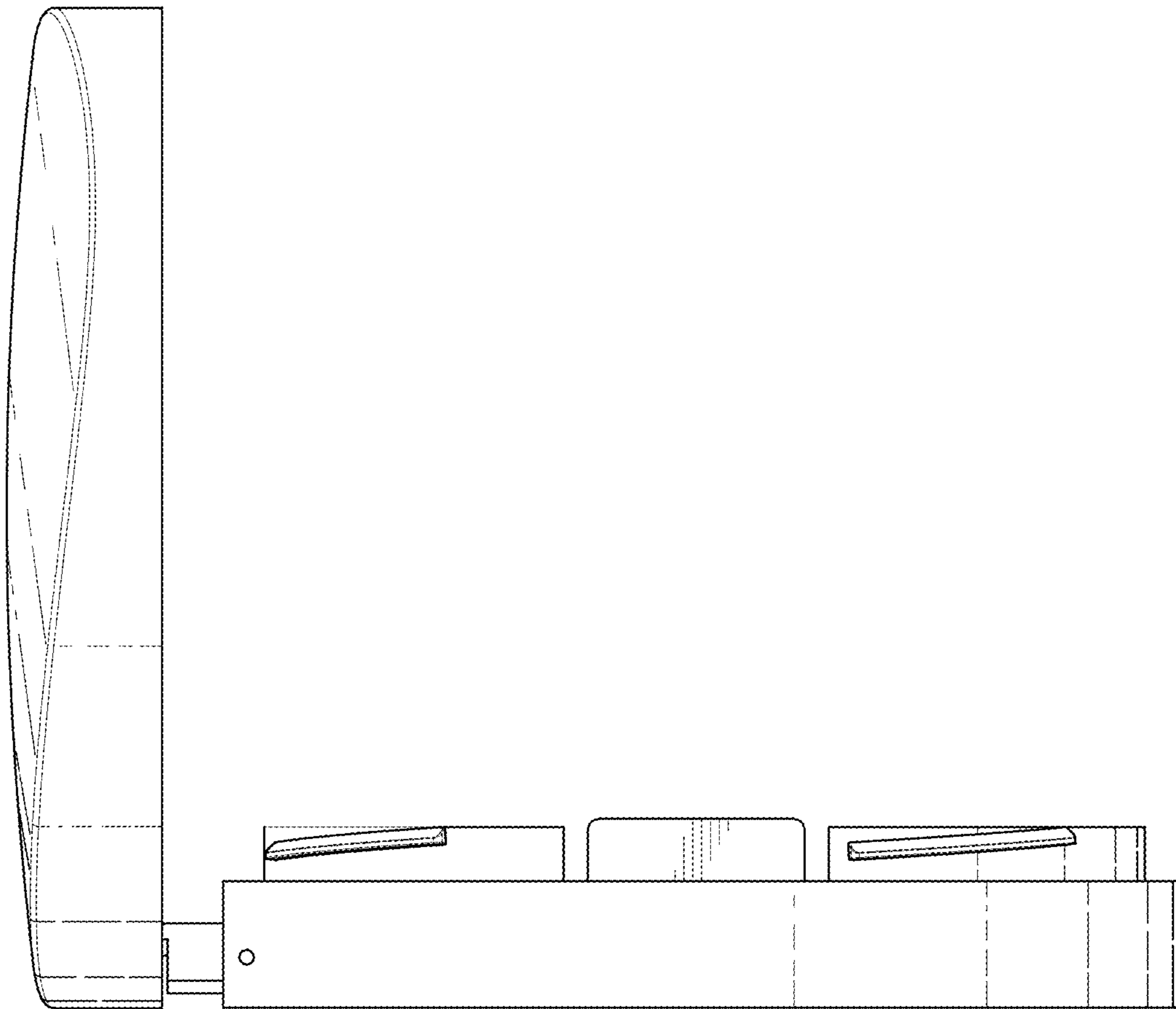


FIG. 6

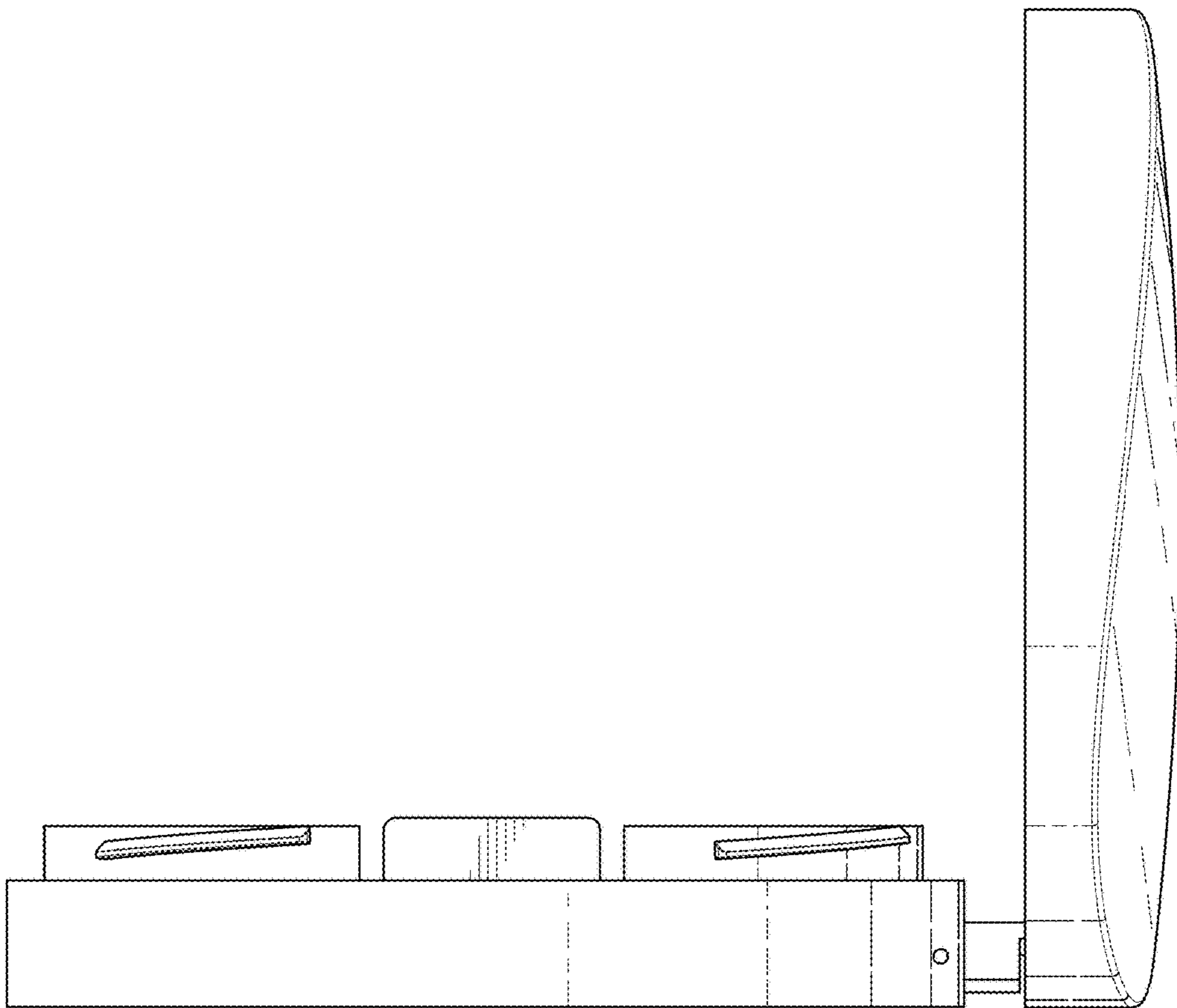


FIG. 7

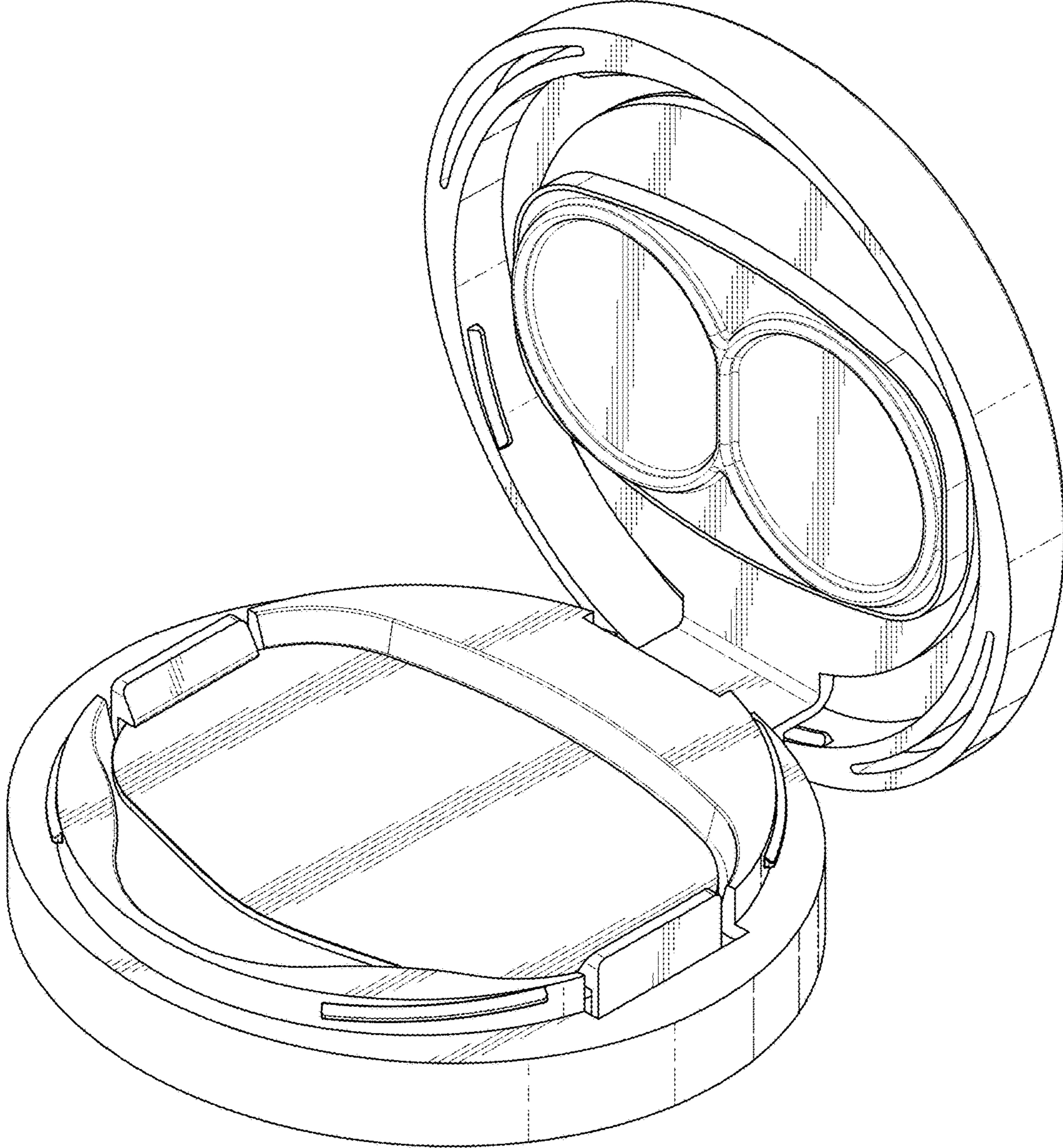


FIG. 8

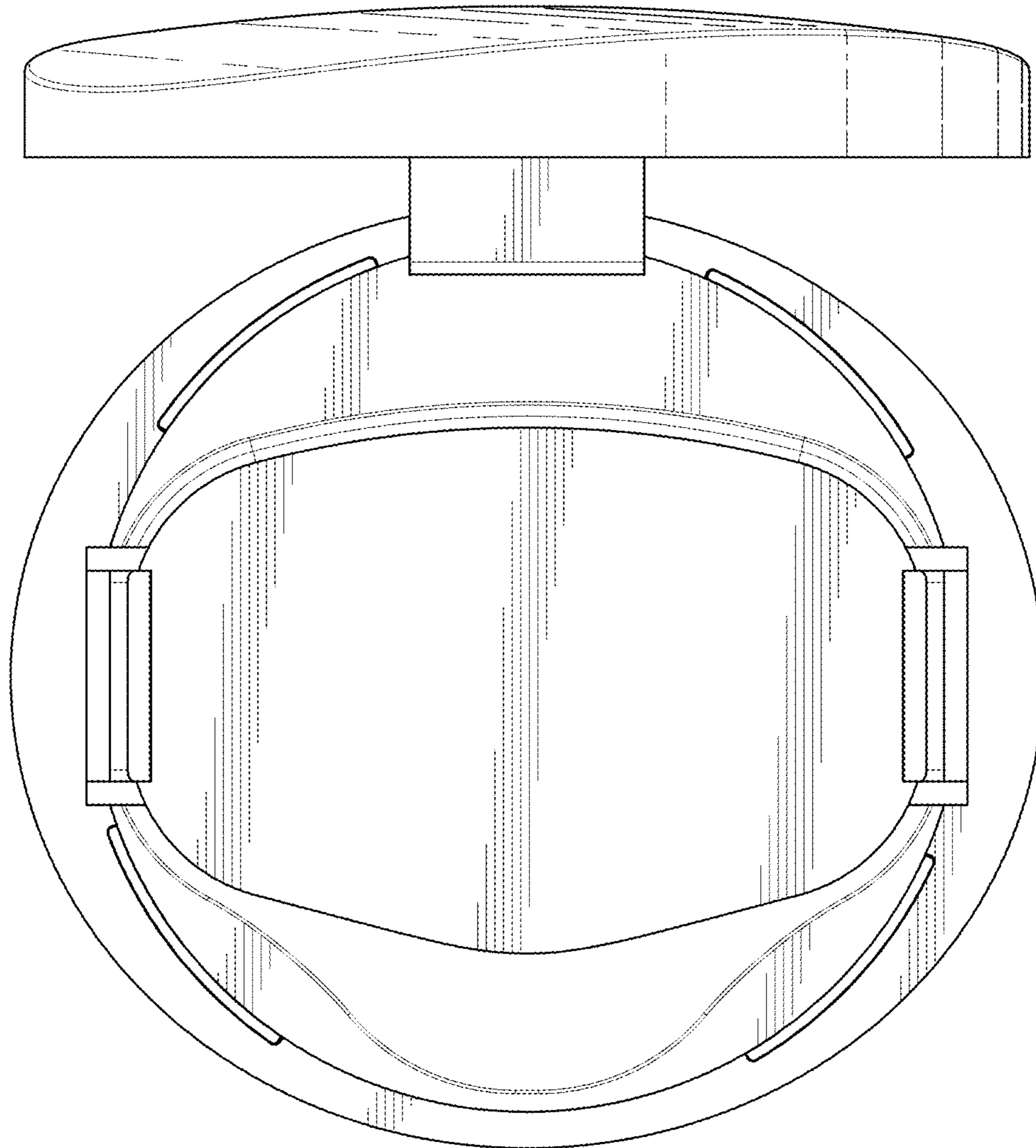


FIG. 9

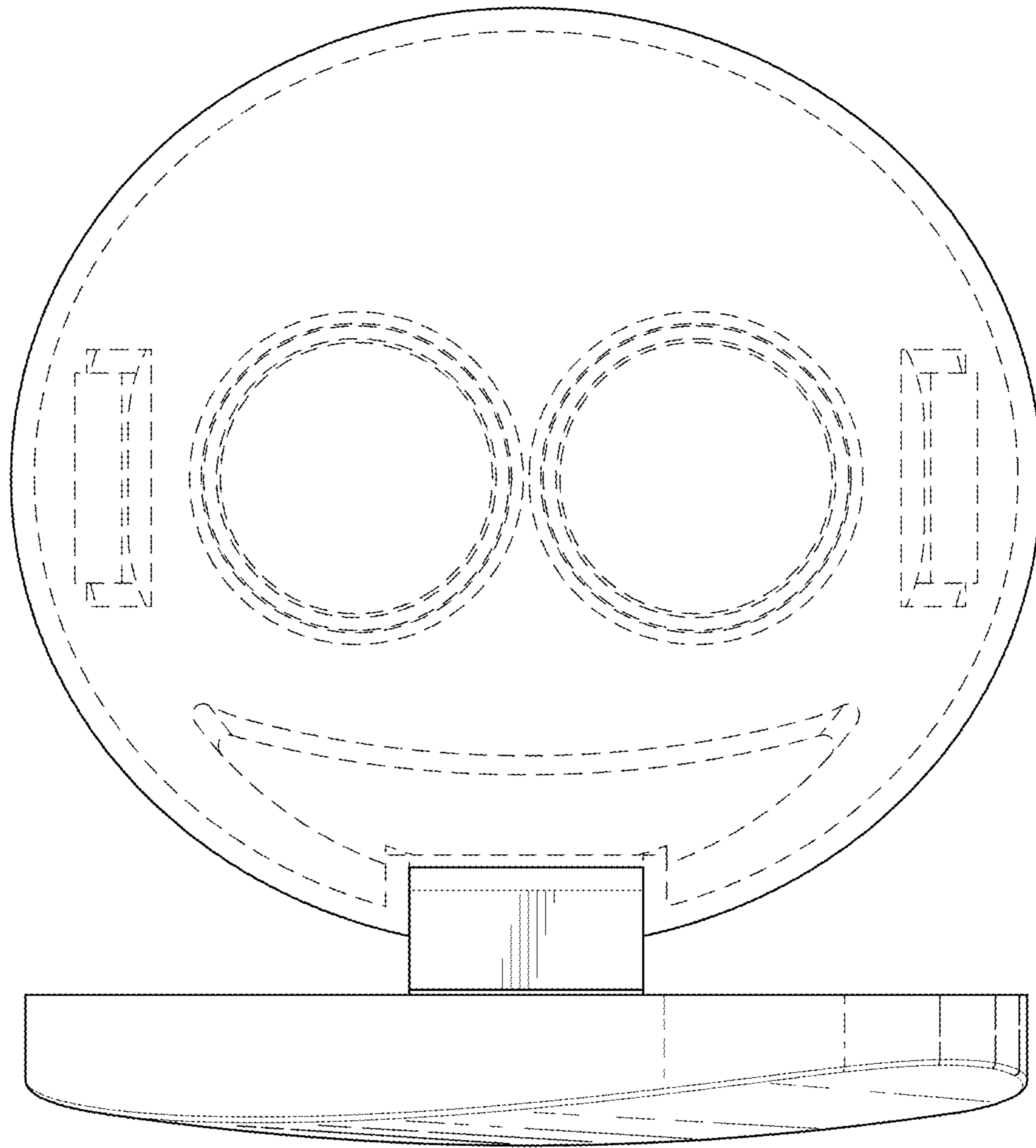


FIG. 10

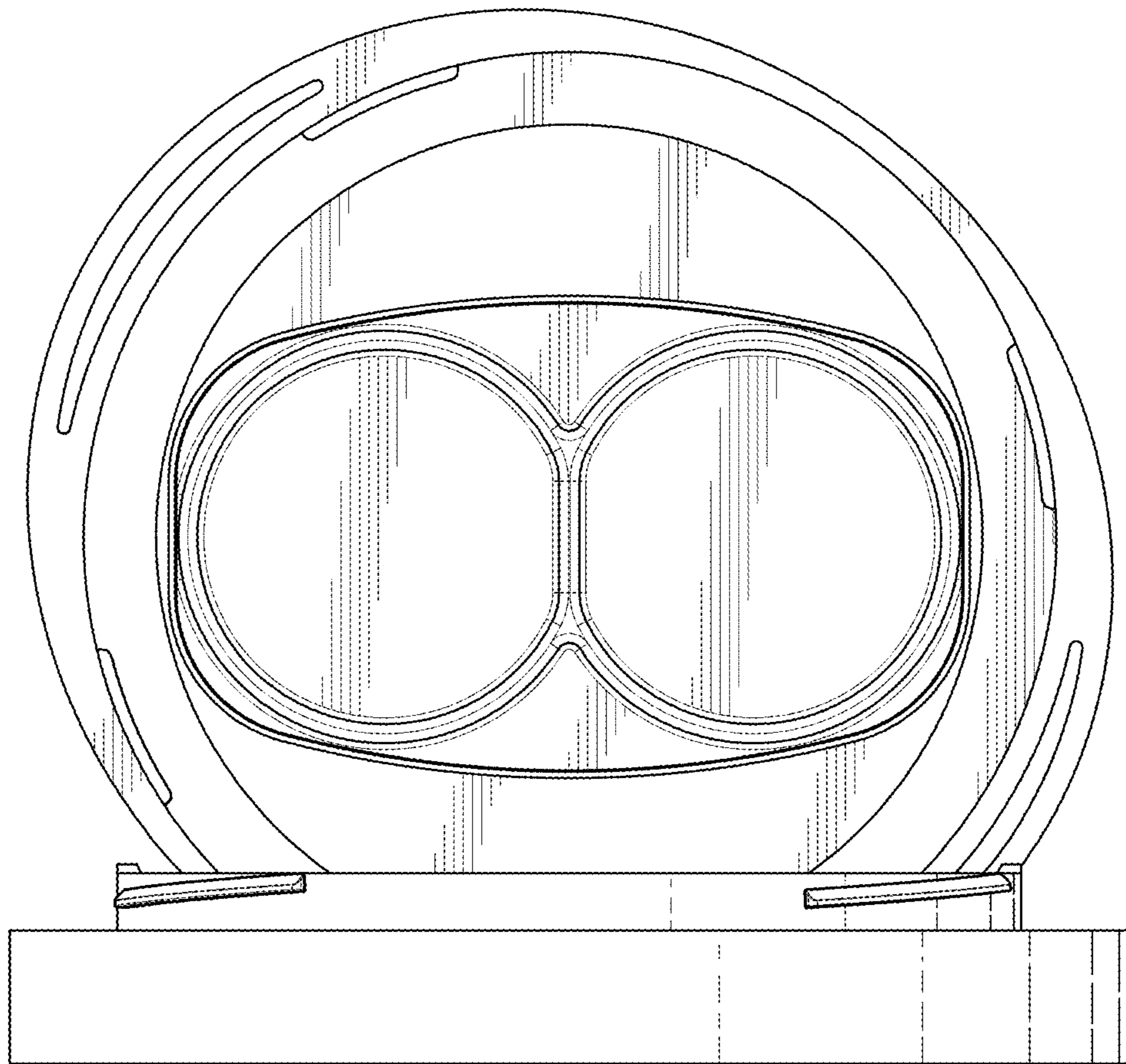


FIG. 11

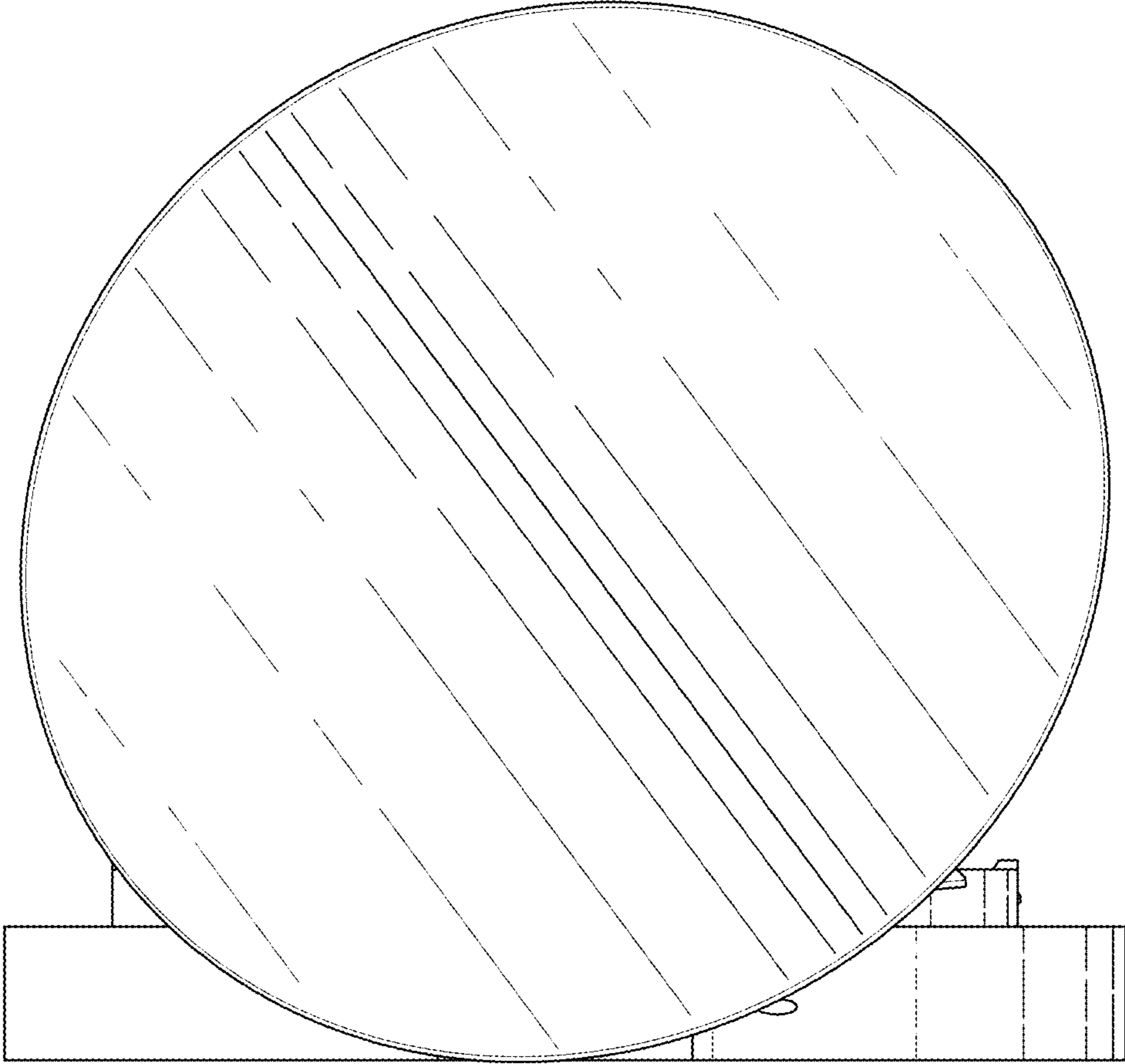


FIG. 12



FIG. 13

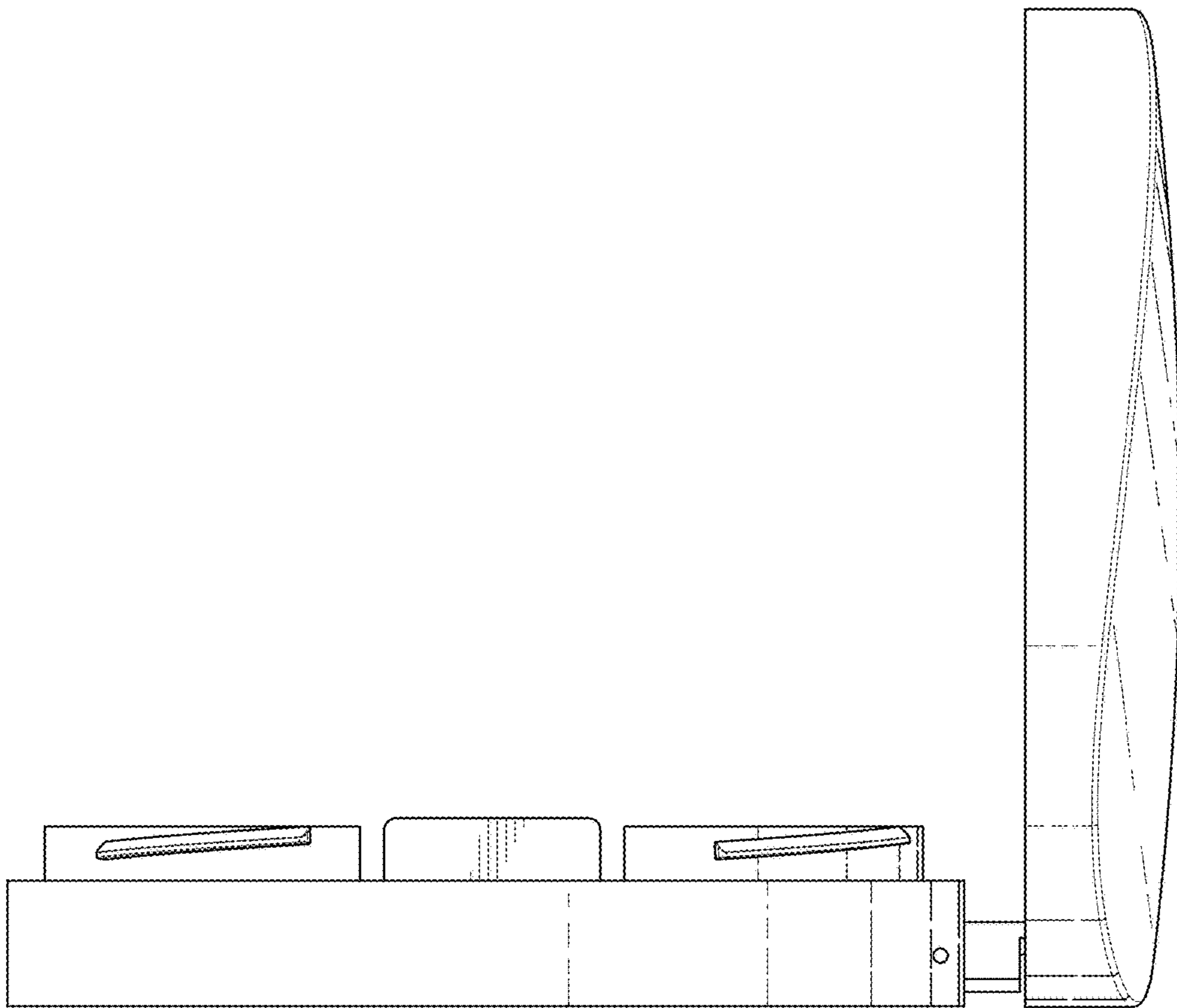


FIG. 14