



US00D811735S

(12) **United States Design Patent** (10) **Patent No.:** **US D811,735 S**
Molnar (45) **Date of Patent:** **** Mar. 6, 2018**

(54) **LIGHTABLE PURSE**

(71) Applicant: **Hollis Molnar**, Albany, OH (US)

(72) Inventor: **Hollis Molnar**, Albany, OH (US)

(**) Term: **15 Years**

(21) Appl. No.: **29/581,636**

(22) Filed: **Oct. 20, 2016**

(51) **LOC (11) Cl.** **03-01**

(52) **U.S. Cl.**

USPC **D3/233**

(58) **Field of Classification Search**

USPC D3/232, 233, 245, 246

CPC A45C 1/024; A45C 3/08

See application file for complete search history.

(56) **References Cited**

U.S. PATENT DOCUMENTS

D672,951 S	*	12/2012	Boone	D3/245
D698,548 S	*	2/2014	Jacobs	D3/245
D723,267 S	*	3/2015	Basha	D3/232
D783,279 S	*	4/2017	Sassi	D3/245

* cited by examiner

Primary Examiner — Holly H Baynham

(74) *Attorney, Agent, or Firm* — Fay Sharpe LLP

(57) **CLAIM**

The ornamental design for a lightable purse, as shown and described.

DESCRIPTION

FIG. 1 is a front side elevation view of a lightable purse showing my new design;

FIG. 2 is a front plan view of the lightable purse of FIG. 1;

FIG. 3 is a top plan view of the lightable purse of FIG. 1;

FIG. 4 is side plan view of the lightable purse of FIG. 1;

FIG. 5 is an opposite side plan view of the lightable purse of FIG. 1;

FIG. 6 is a bottom plan view of the lightable purse of FIG. 1;

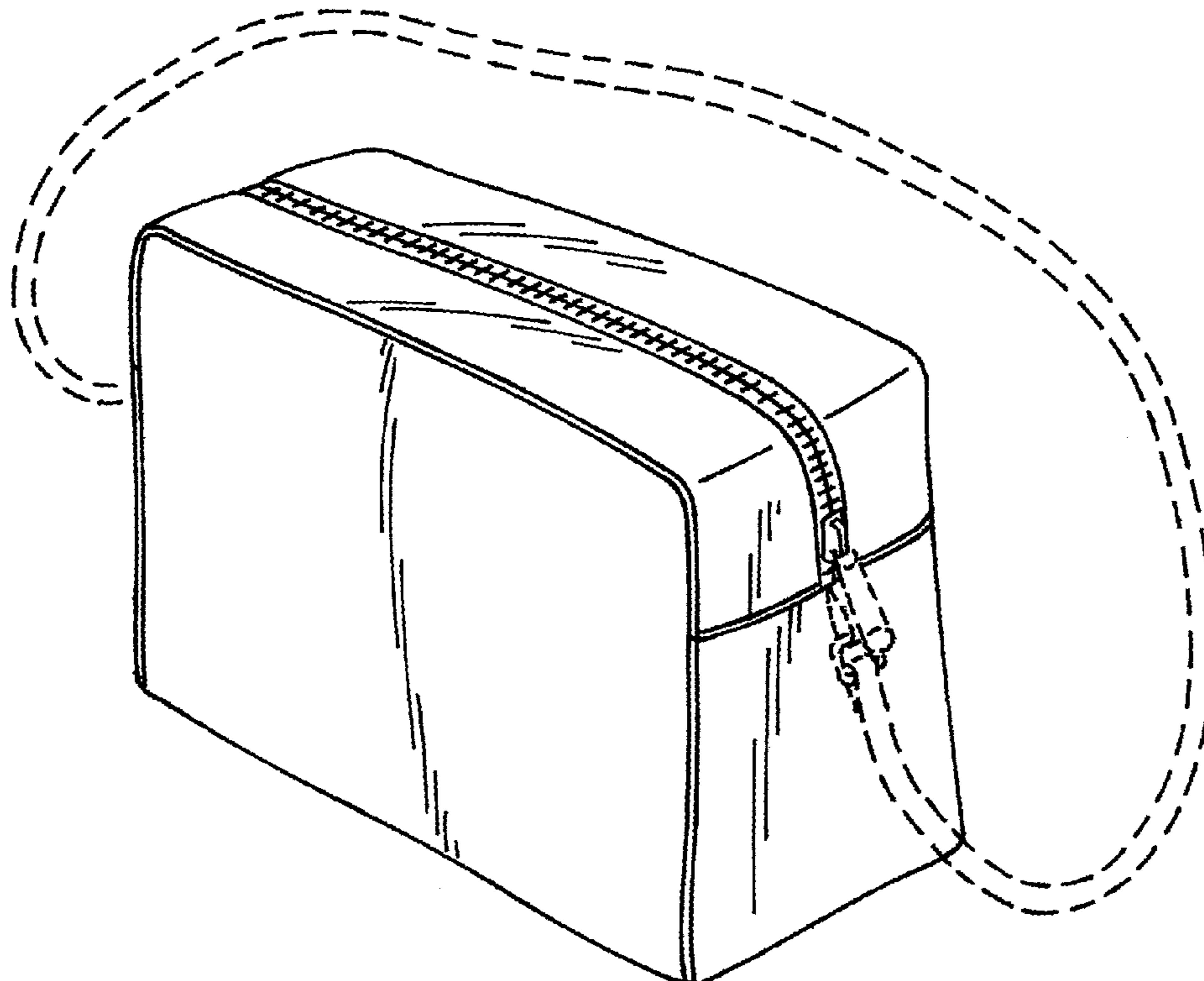
FIG. 7 is a back plan view of the lightable purse of FIG. 1;

FIG. 8 is a cross-sectional view of the lightable purse along line 8-8 of FIG. 2; and,

FIG. 9 is a cross-sectional view of the lightable purse along line 9-9 of FIG. 2.

The broken lines are included for the purpose of illustrating non-claimed subject matter and form no part of the claimed design.

1 Claim, 4 Drawing Sheets



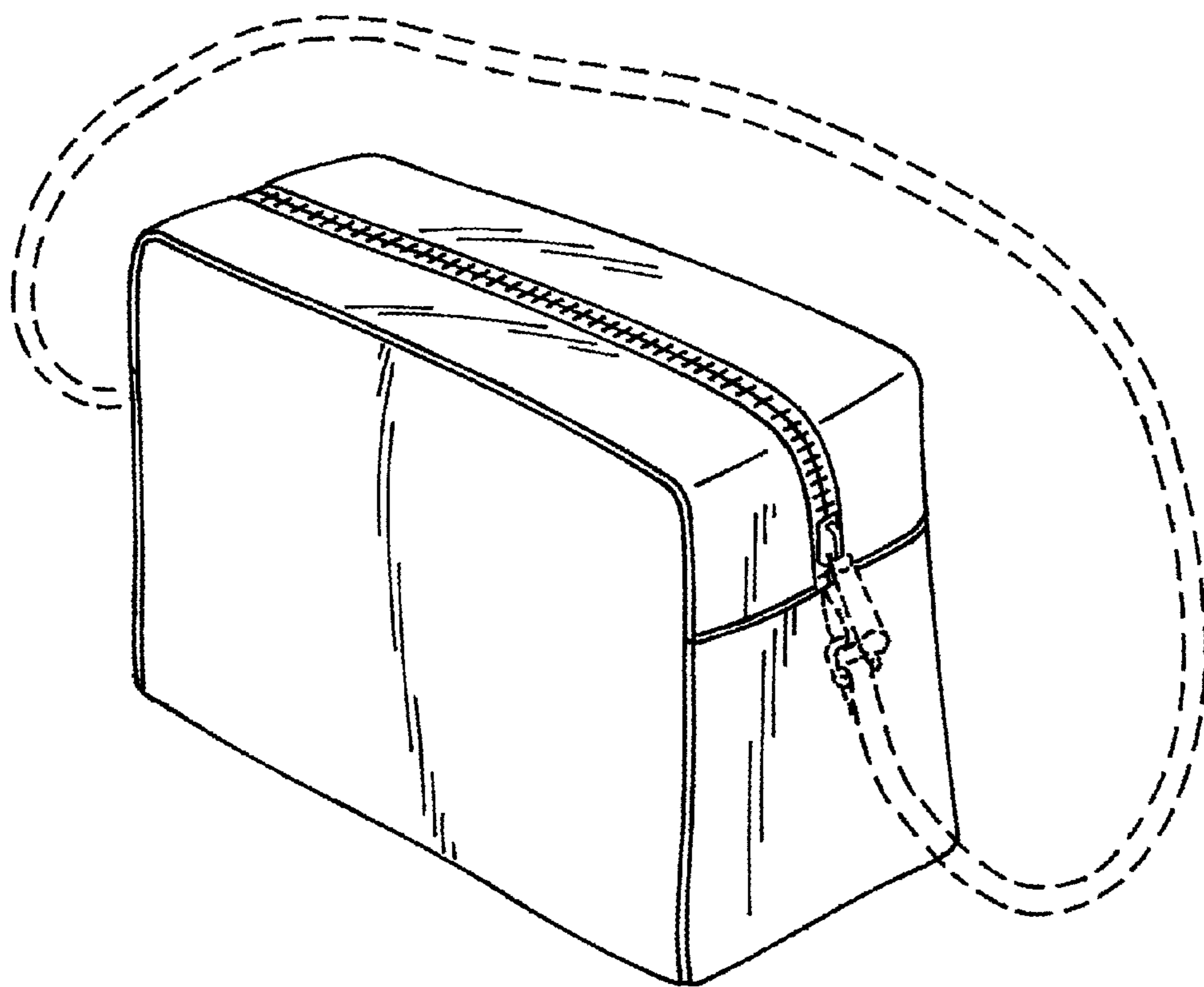


FIG. 1

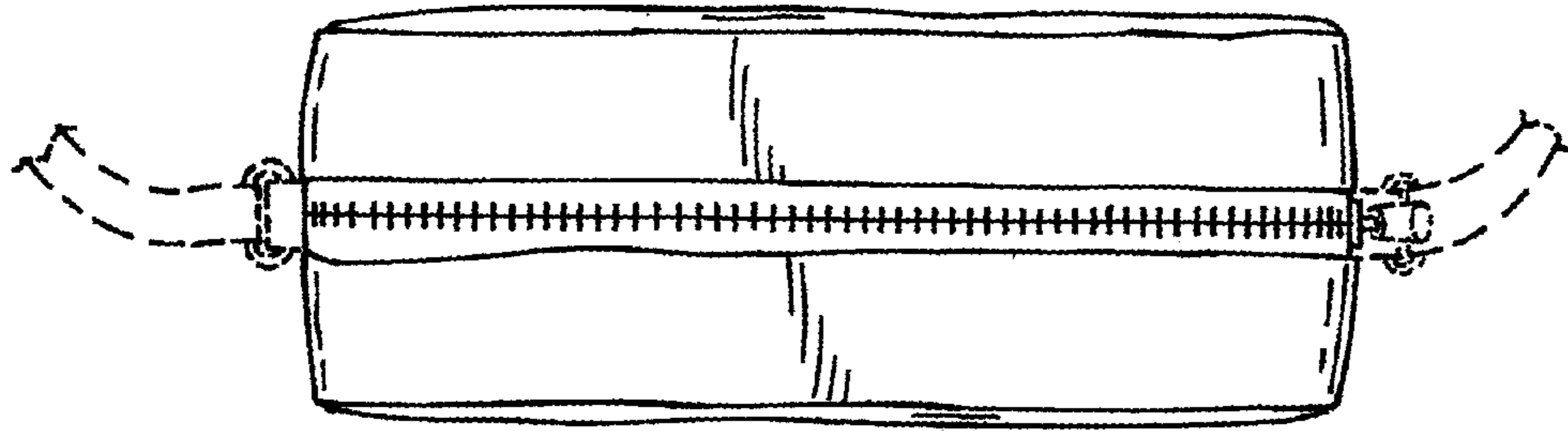


FIG. 3

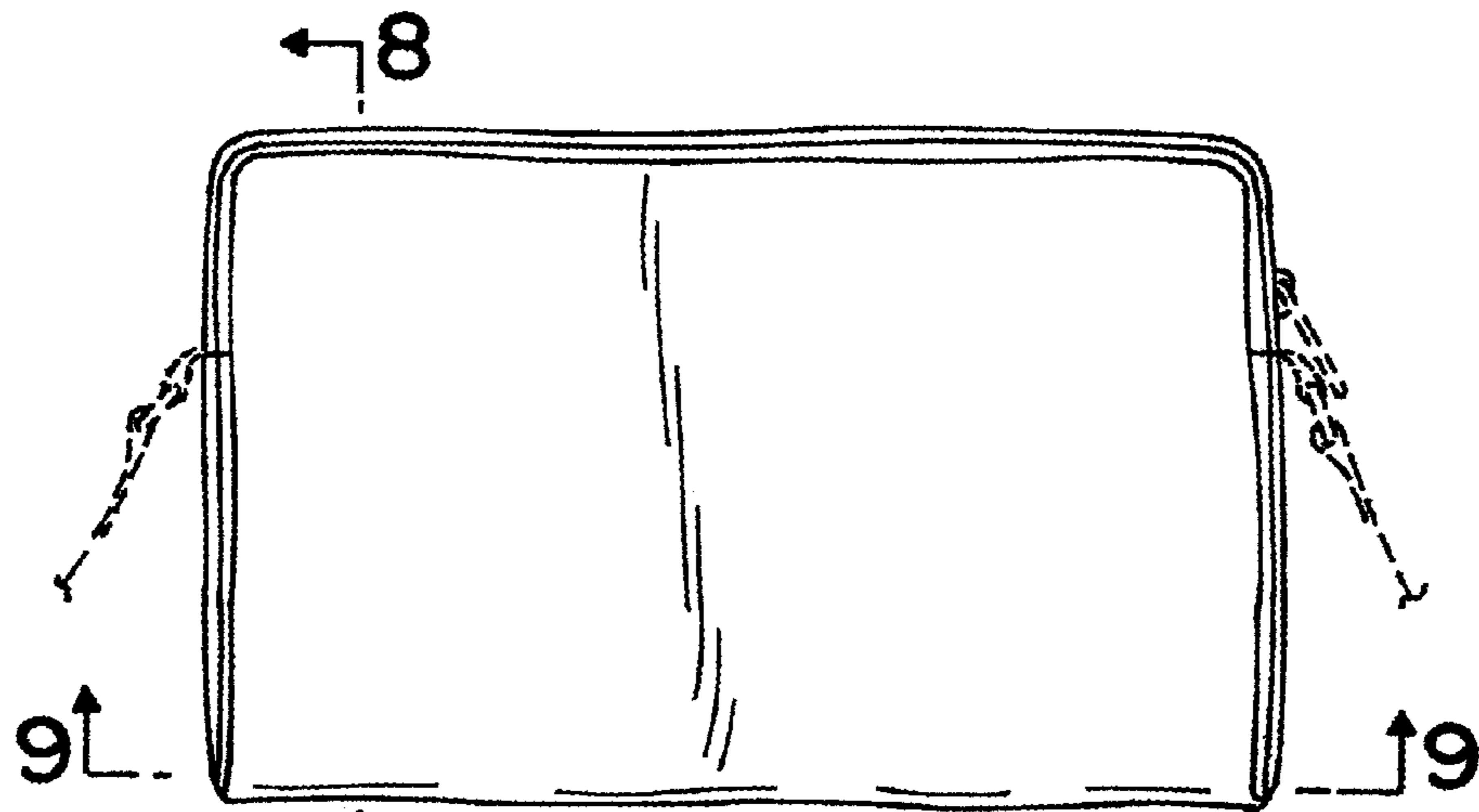


FIG. 2

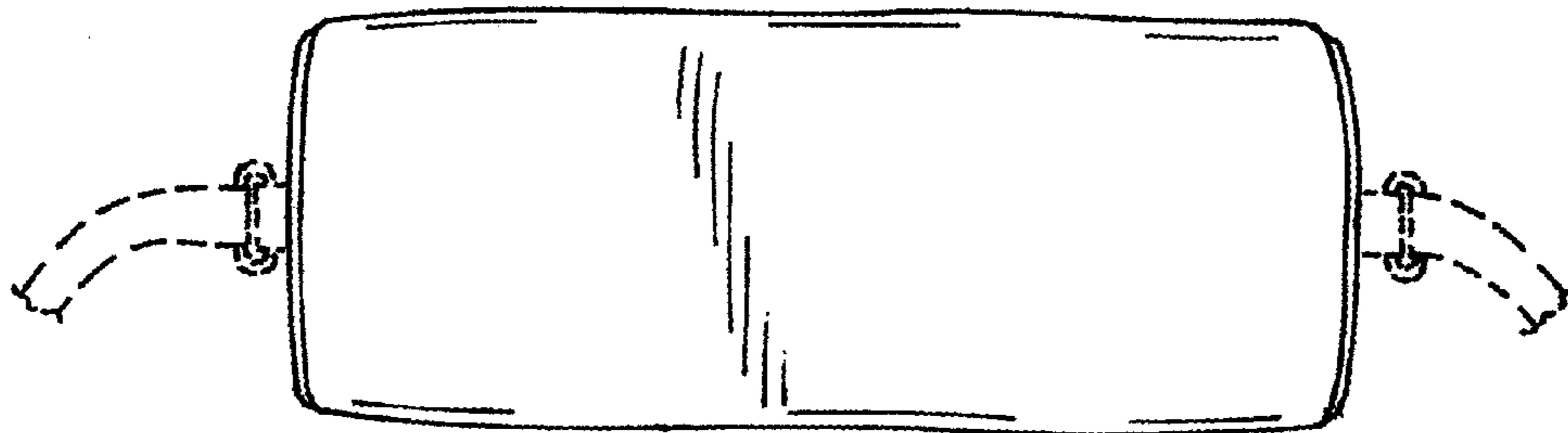


FIG. 6

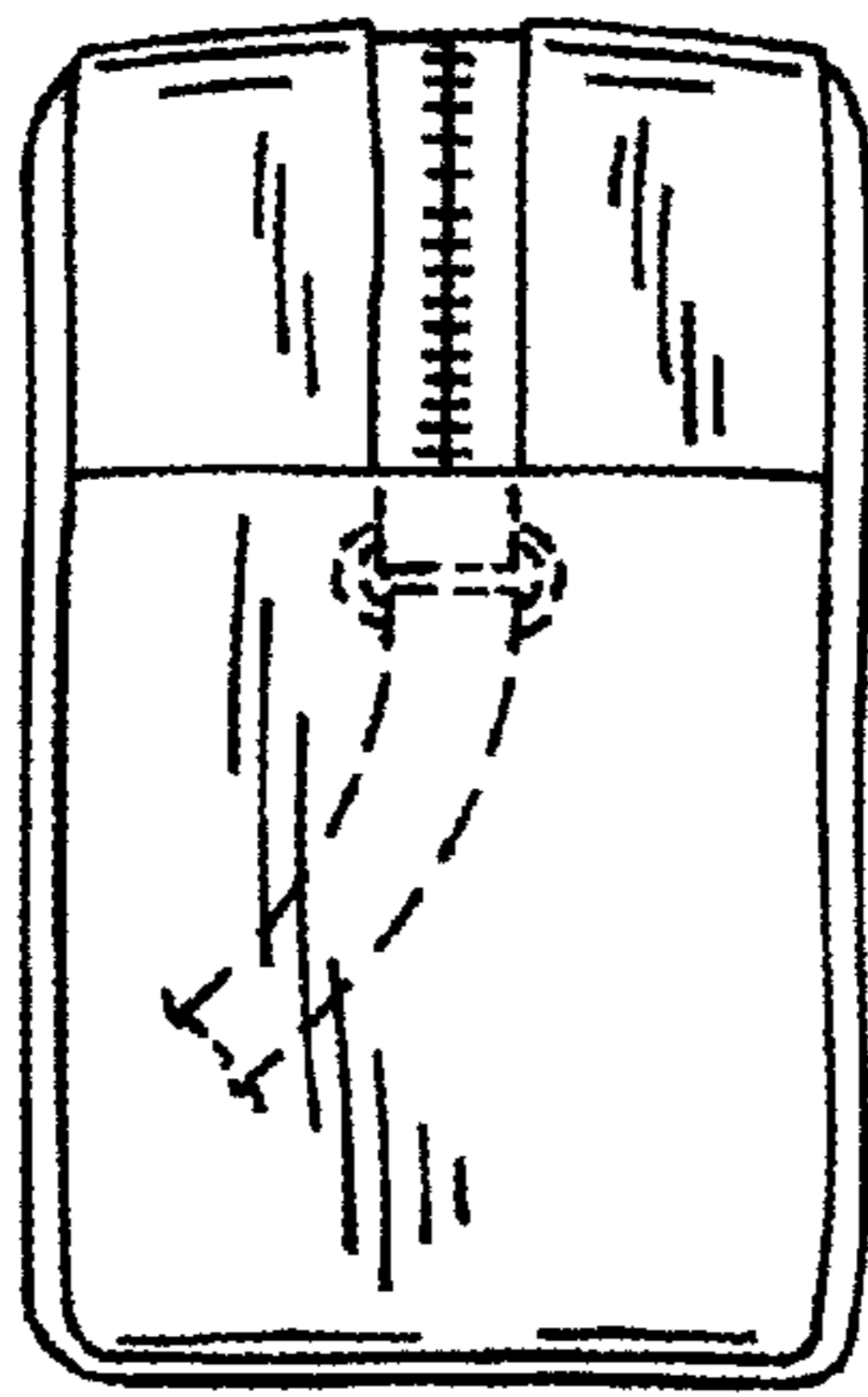


FIG. 4

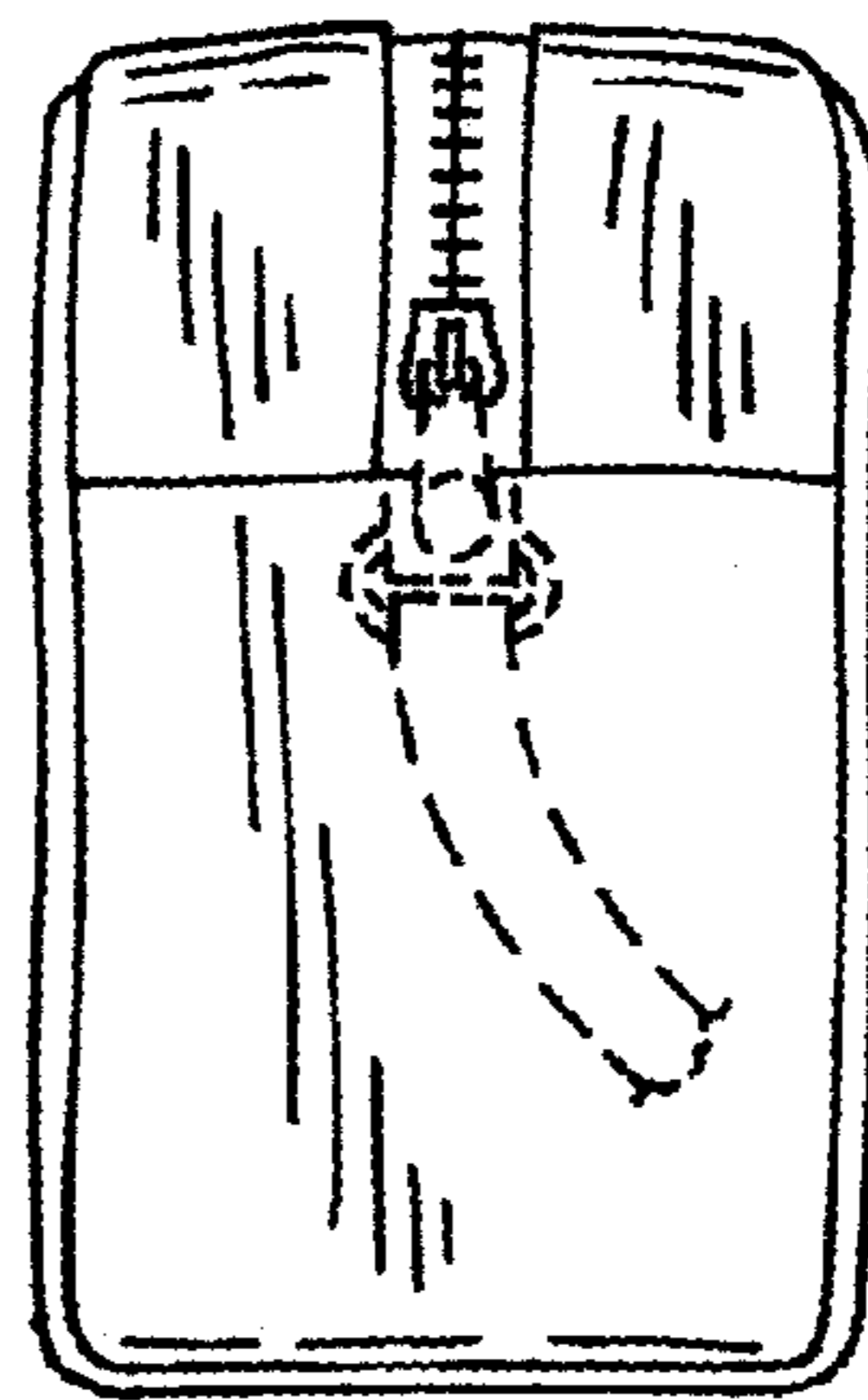


FIG. 5

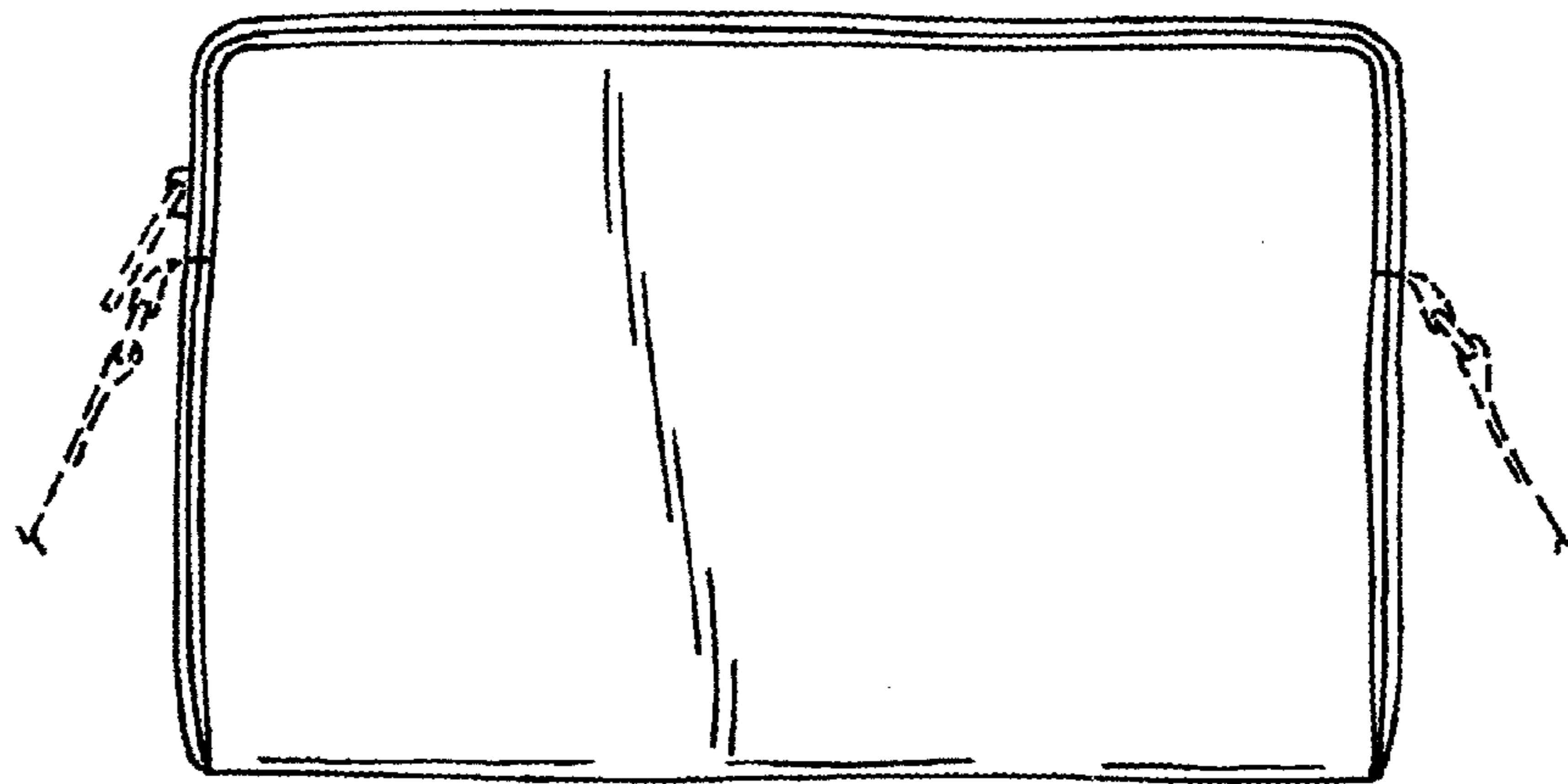


FIG. 7

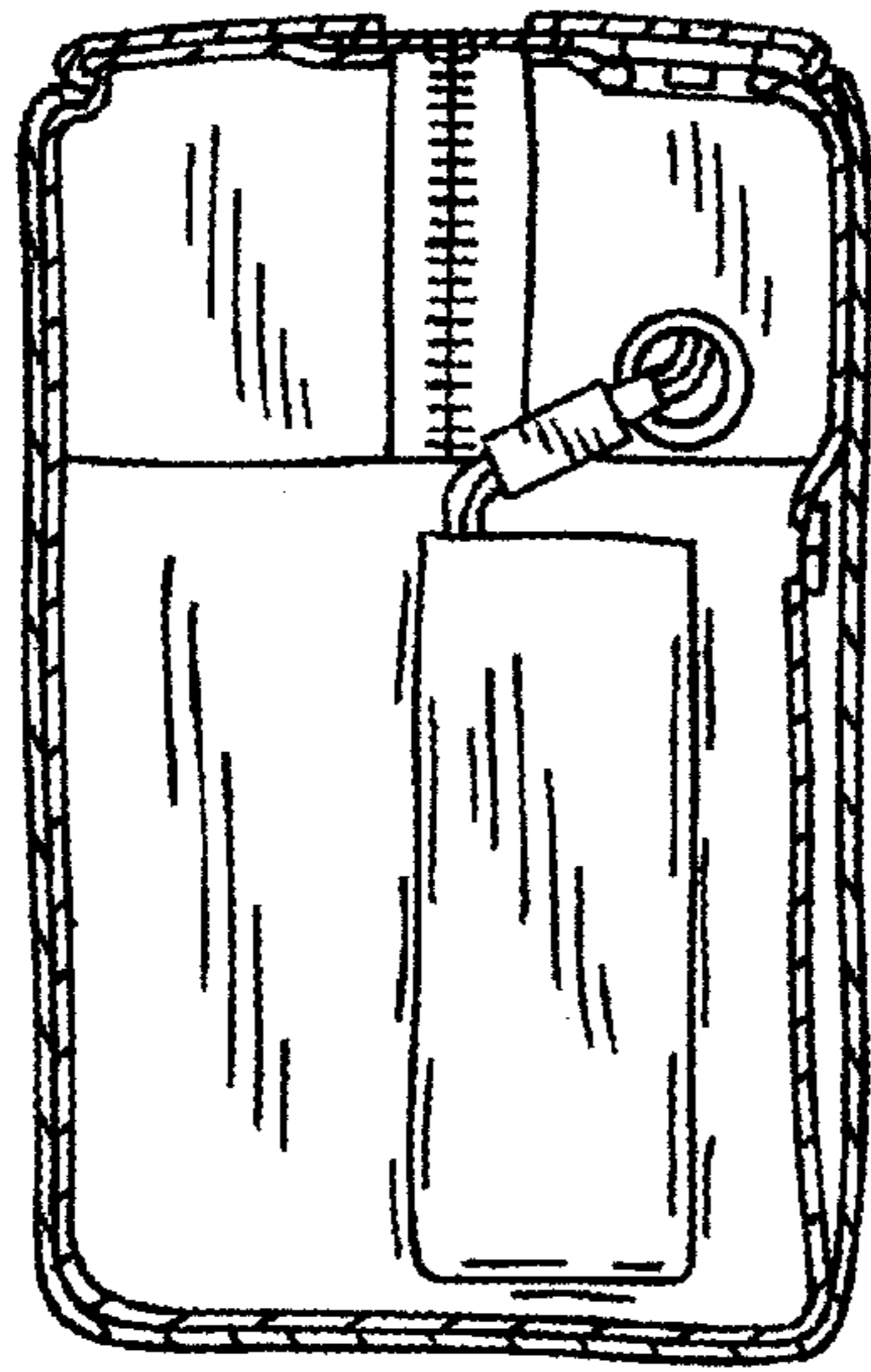


FIG. 8

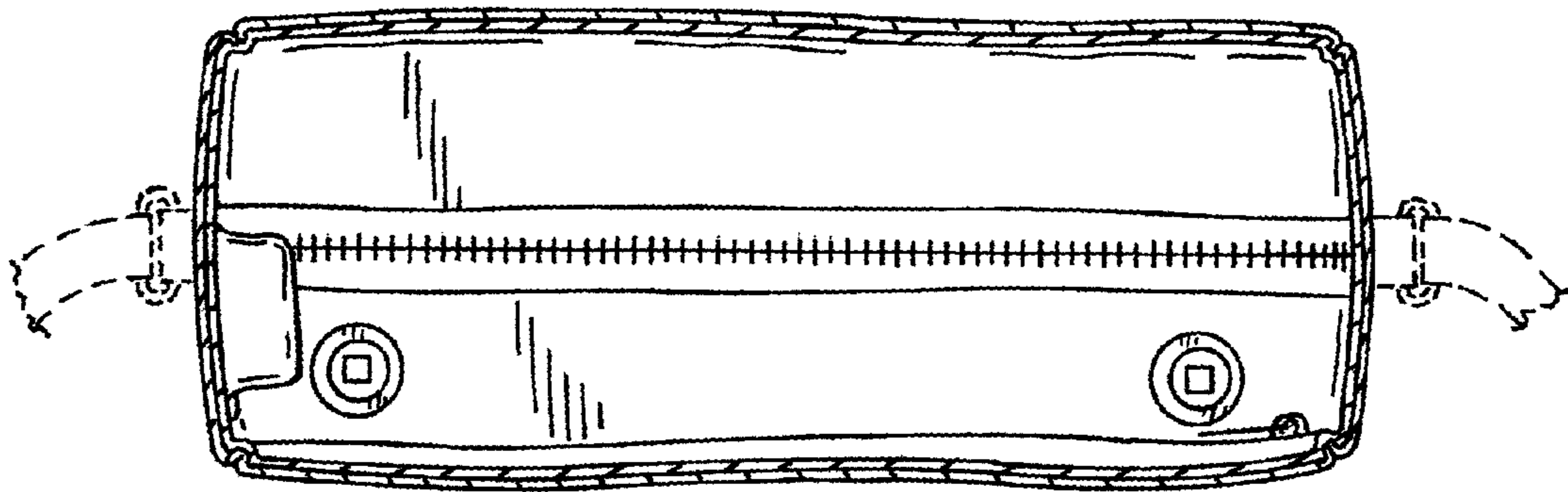


FIG. 9