



US00D811730S

(12) **United States Design Patent** (10) **Patent No.:** **US D811,730 S**  
**Pullum** (45) **Date of Patent:** **\*\* Mar. 6, 2018**

(54) **CARD-CARRYING MOBILE DEVICE CASE**

(71) Applicant: **Thomas Lee Pullum**, Antioch, CA (US)

(72) Inventor: **Thomas Lee Pullum**, Antioch, CA (US)

(\*\*) Term: **15 Years**

(21) Appl. No.: **29/588,530**

(22) Filed: **Dec. 21, 2016**

(51) **LOC (11) Cl.** ..... **03-01**

(52) **U.S. Cl.**  
USPC ..... **D3/218; D3/247**

(58) **Field of Classification Search**  
USPC ..... D3/218, 215, 219, 224, 226, 228, 303,  
D3/247-249; 224/219, 222, 267, 269;  
206/305, 320, 5, 37-38, 232, 425;  
150/145-149; 24/67 F, 498  
CPC ... A45C 1/06; A45F 5/00; A45F 3/005; A45F  
2005/008; A45F 2200/0516; A45F  
2003/006; A45F 5/021  
See application file for complete search history.

(56) **References Cited**

U.S. PATENT DOCUMENTS

- D433,804 S \* 11/2000 Kojoori ..... A45C 1/06  
D3/247  
D434,220 S \* 11/2000 Kojoori ..... D3/247  
D434,899 S \* 12/2000 Kojoori ..... A45C 1/06  
D3/247  
D624,455 S 9/2010 Kelley

- D627,963 S 11/2010 Schwarz  
D746,275 S 12/2015 Mohammad  
D756,105 S \* 5/2016 Zhang ..... D3/218  
D759,966 S \* 6/2016 Pignotti ..... D3/247  
D782,191 S \* 3/2017 Adelman ..... D3/247  
2003/0040286 A1 2/2003 Walter  
2005/0161352 A1 7/2005 Huddleston  
2013/0299365 A1 11/2013 Andrew  
2014/0299488 A1 10/2014 Andrew  
2014/0361062 A1 12/2014 Newton

\* cited by examiner

*Primary Examiner* — Catherine R Oliver-Garcia

(74) *Attorney, Agent, or Firm* — Matthew Doyle

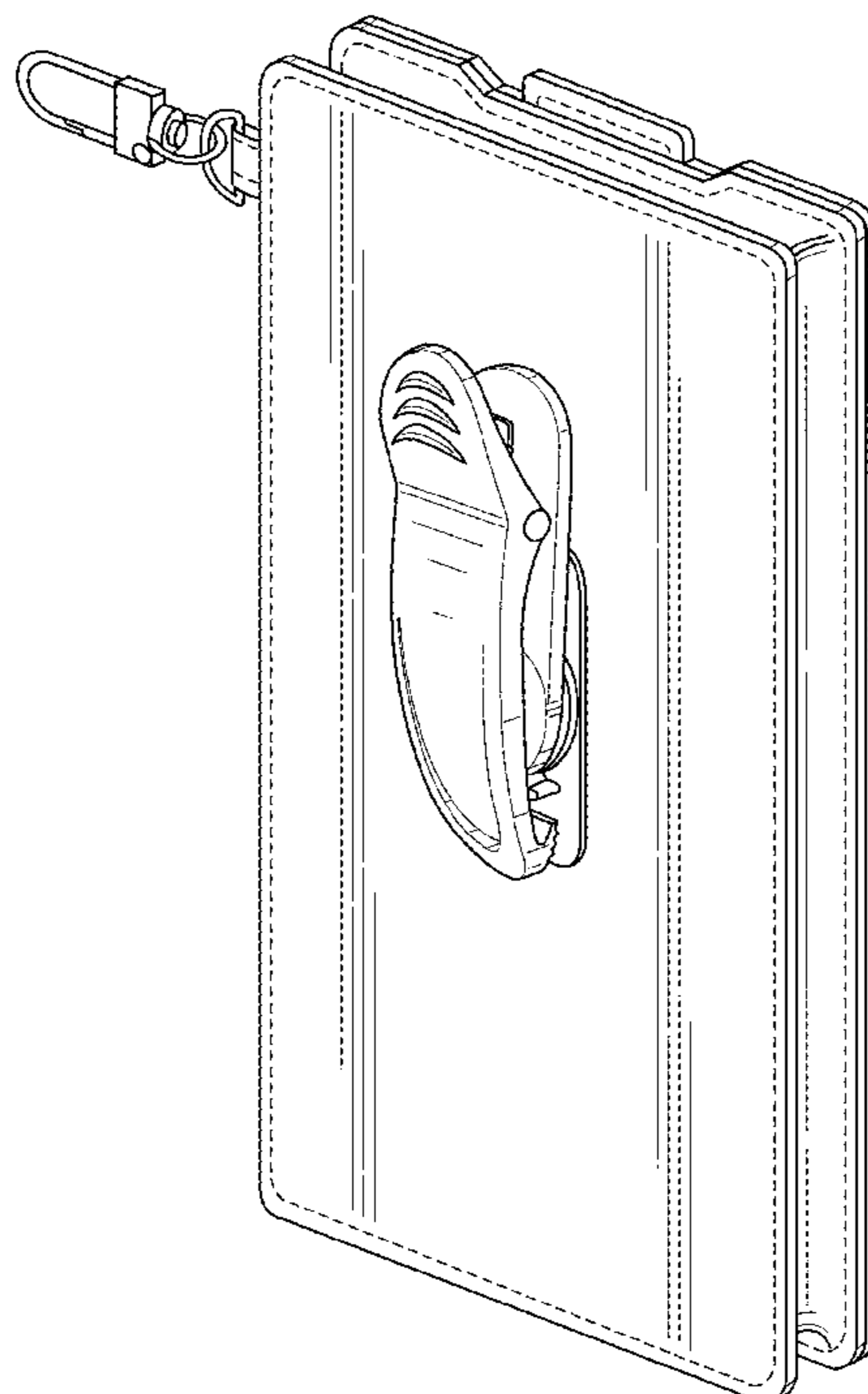
(57) **CLAIM**

The ornamental design for a card-carrying mobile device case, as shown and described.

**DESCRIPTION**

FIG. 1 is a front perspective view of my new card-carrying mobile device case showing my new design;  
FIG. 2 is a front view thereof;  
FIG. 3 is a rear view thereof;  
FIG. 4 is a left-side view thereof;  
FIG. 5 is a right-side view thereof;  
FIG. 6 is a top view thereof;  
FIG. 7 is a bottom view thereof; and,  
FIG. 8 is a rear view of my new design with the cover open.  
This figure is shown at a smaller size than previous figures solely due to sheet size and sight size constraints.  
The broken lines depict environment and are included for the purpose of illustrating only and form no part of the claimed design.

**1 Claim, 6 Drawing Sheets**



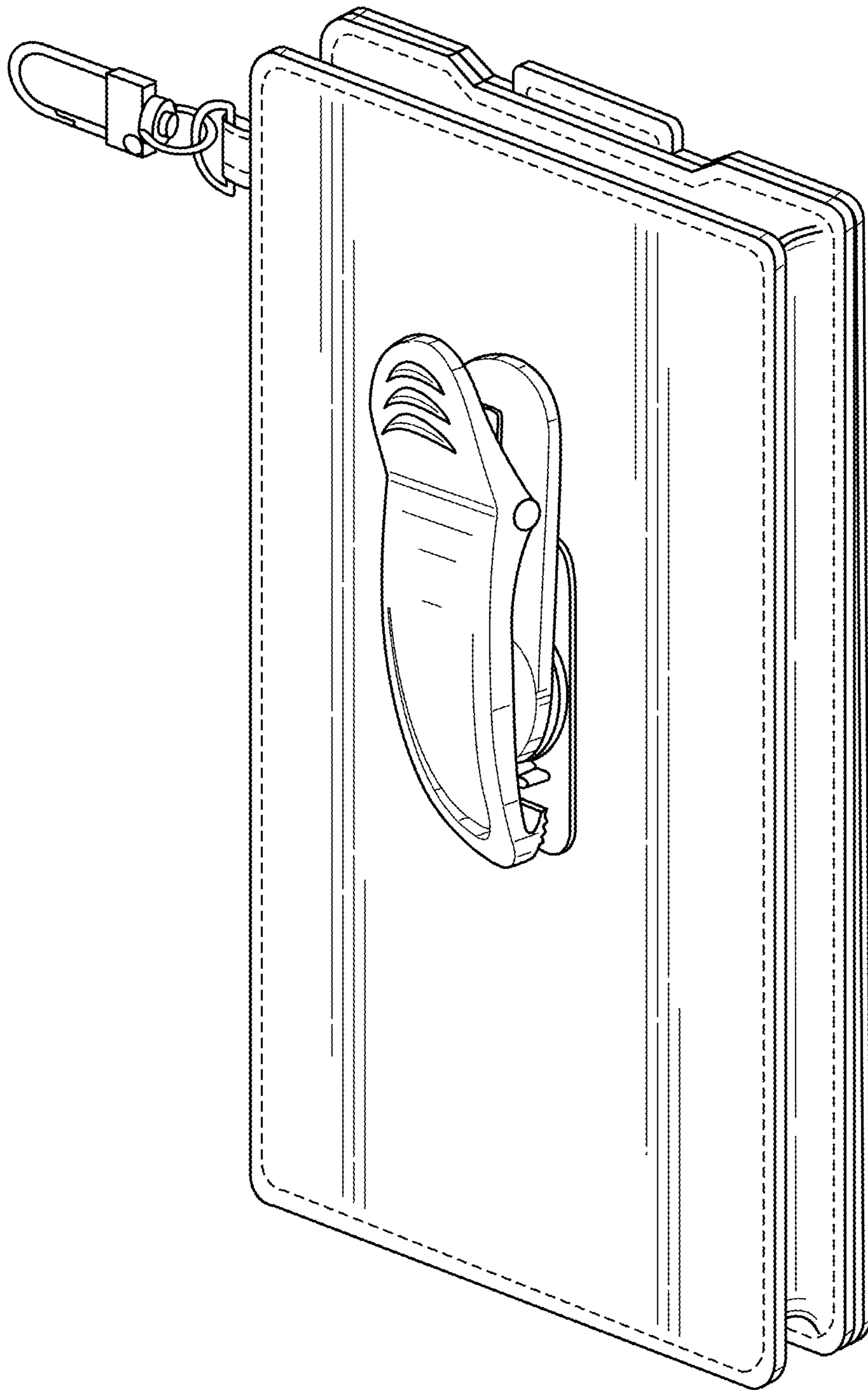


FIG. 1

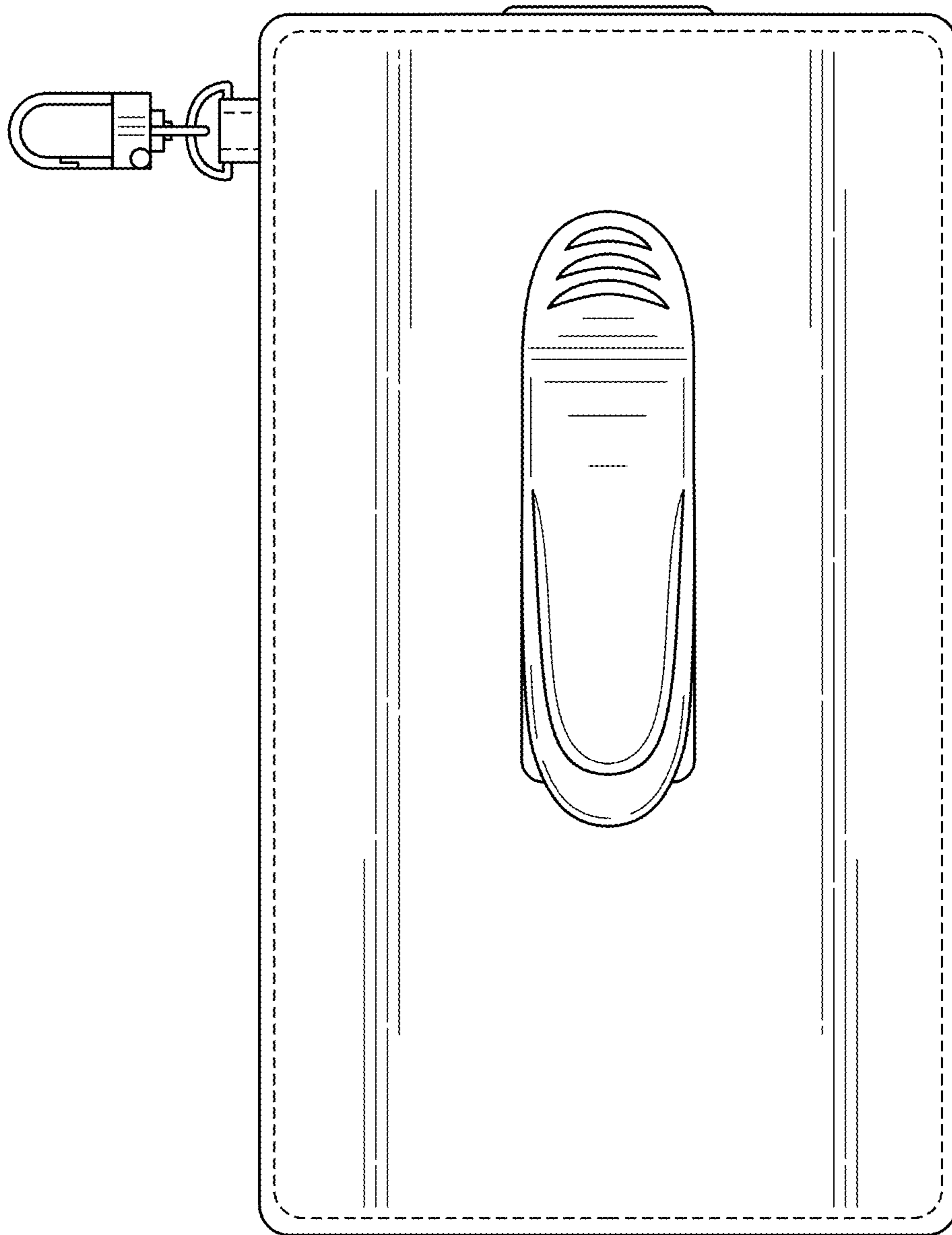


FIG. 2

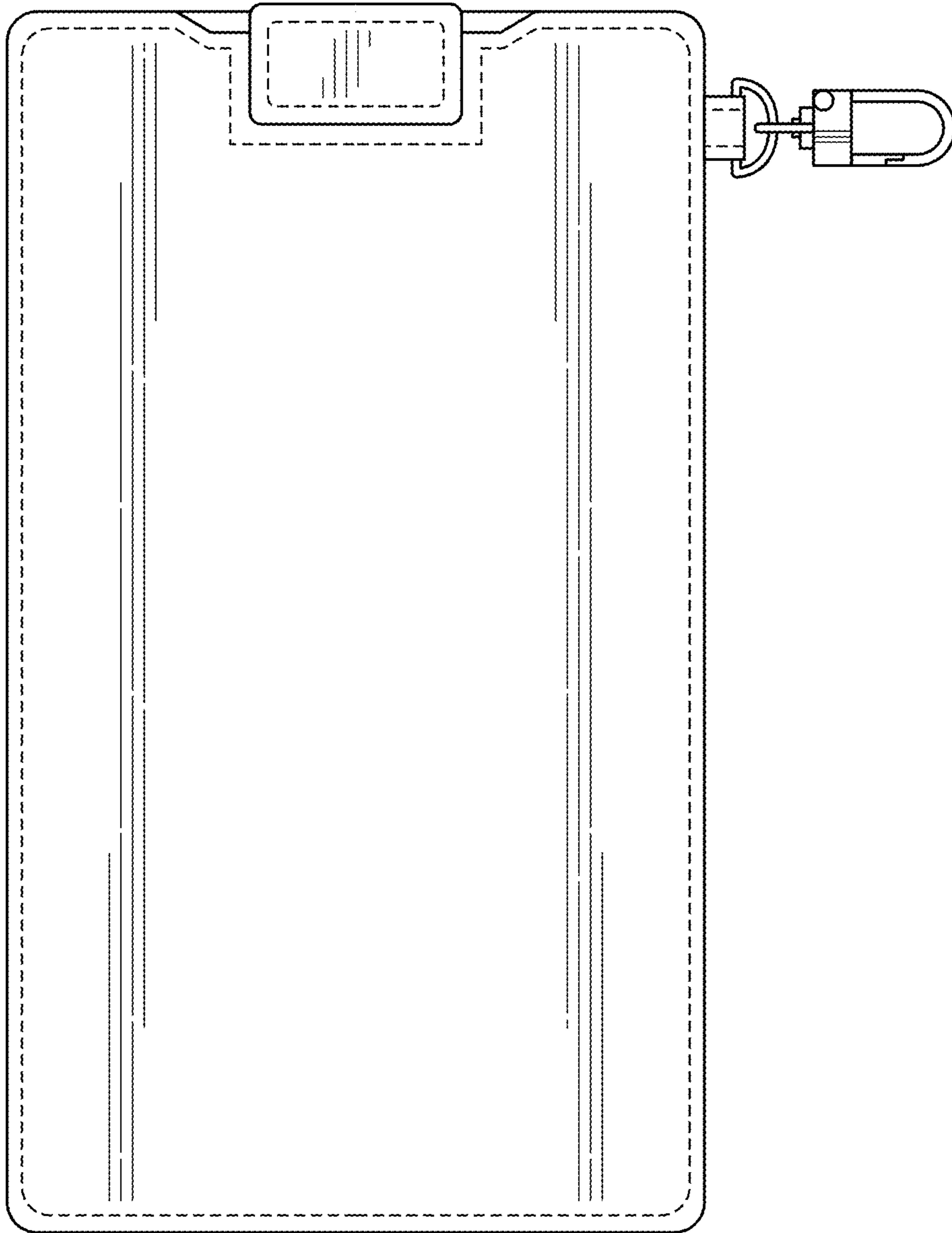


FIG. 3

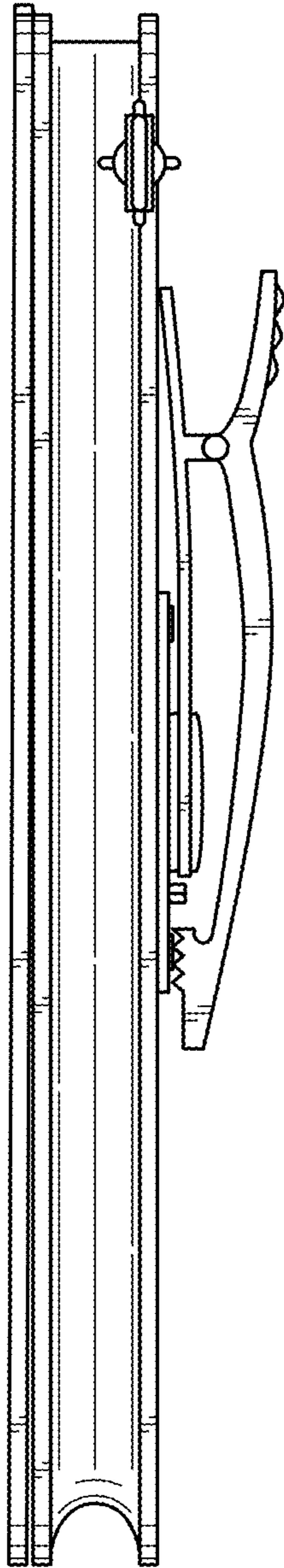


FIG. 4

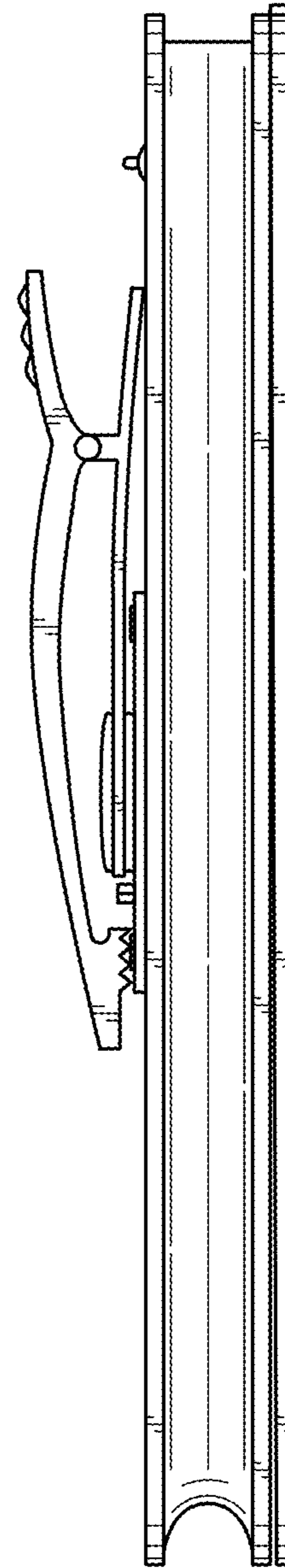


FIG. 5

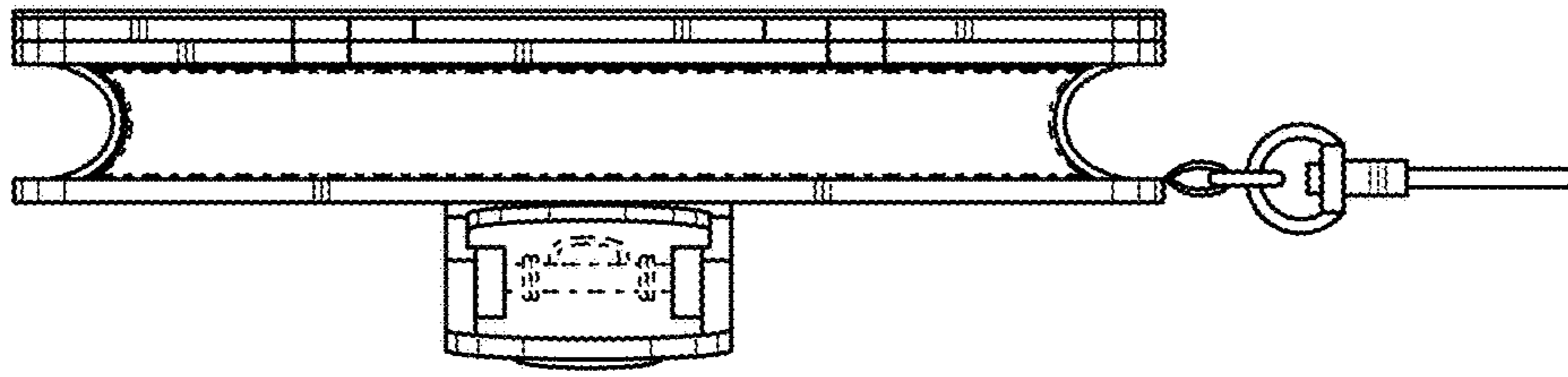


FIG. 6

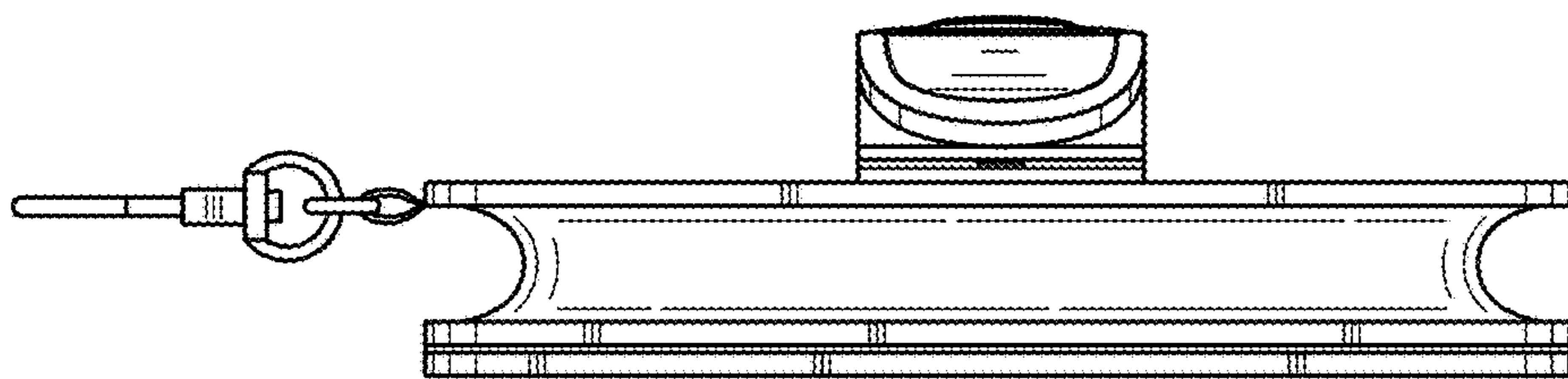


FIG. 7

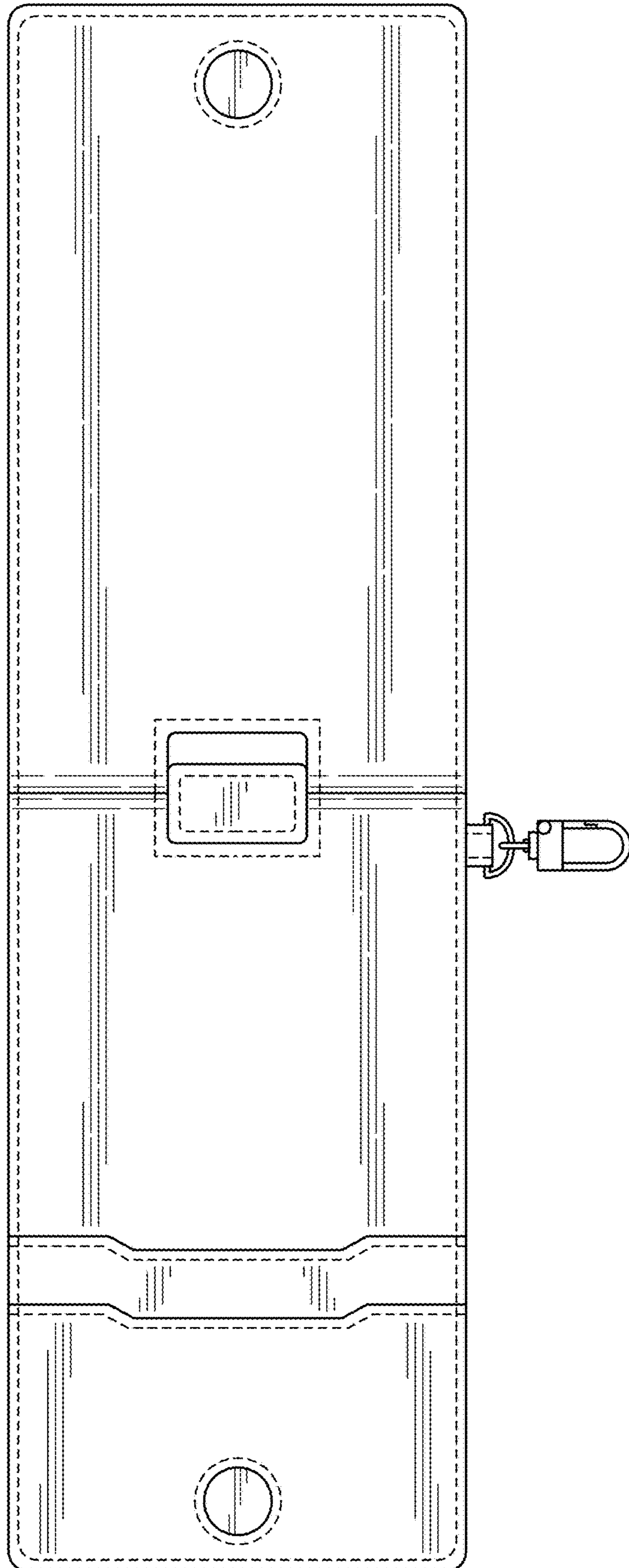


FIG. 8

UNITED STATES PATENT AND TRADEMARK OFFICE  
**CERTIFICATE OF CORRECTION**

PATENT NO. : D811,730 S  
APPLICATION NO. : 29/588530  
DATED : March 6, 2018  
INVENTOR(S) : Pullum

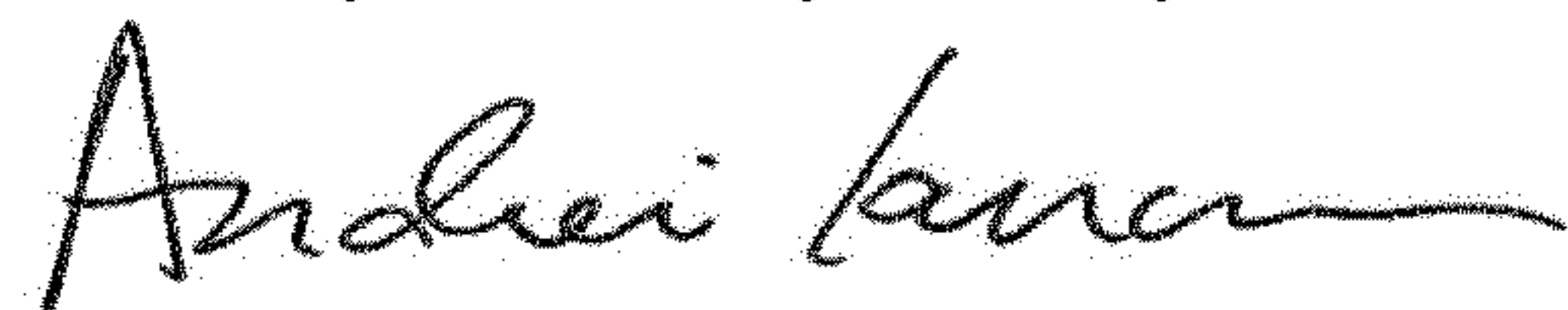
Page 1 of 1

It is certified that error appears in the above-identified patent and that said Letters Patent is hereby corrected as shown below:

On the Title Page

Item (54), "Card-Carying Mobile Device Case" should be changed to --Card-Carrying Mobile Device Case--.

Signed and Sealed this  
Thirty-first Day of July, 2018



Andrei Iancu  
*Director of the United States Patent and Trademark Office*