



US00D811729S

(12) **United States Design Patent** (10) **Patent No.:** **US D811,729 S**
Bysshe (45) **Date of Patent:** **** Mar. 6, 2018**

(54) **DEVICE HOLDING STRAP**

(71) Applicant: **Simon Bysshe**, London (GB)

(72) Inventor: **Simon Bysshe**, London (GB)

(**) Term: **15 Years**

(21) Appl. No.: **29/587,915**

(22) Filed: **Dec. 16, 2016**

(51) **LOC (11) Cl.** **03-01**

(52) **U.S. Cl.**
USPC **D3/218**

(58) **Field of Classification Search**

USPC D3/218, 201, 301, 303; 224/219, 222,
224/267, 269, 930; 206/305, 320

CPC A45F 5/00; A45F 5/021; A45F 2003/144;
A45F 2005/008; A45F 2200/0516

See application file for complete search history.

(56) **References Cited**

U.S. PATENT DOCUMENTS

4,135,653	A *	1/1979	Sieloff	A45F 5/00 224/222
4,500,019	A	2/1985	Curley, Jr.		
D302,075	S	7/1989	Burger		
4,913,326	A	4/1990	Echelson		
D351,060	S *	10/1994	Randazzo	D3/218
5,410,762	A	5/1995	Maskovich		
5,894,976	A	4/1999	Harper		
D420,506	S	2/2000	Merritt		
D501,990	S	2/2005	Carr		
D526,479	S	8/2006	Brandenburg		
D527,893	S	9/2006	Martz		
D536,868	S	2/2007	Jackson		
D616,197	S	5/2010	Fuccella		
D654,265	S	2/2012	Roy		
D700,774	S	3/2014	Morgan et al.		
D708,846	S	7/2014	Waldon		
D722,764	S	2/2015	Sloan		

(Continued)

OTHER PUBLICATIONS

Grech, M.C. et al.; U.S. Appl. No. 60/977,344, entitled "NeoPax"—Neoprene belt with pouch used for securing a wireless transmitter to a person"; filed Oct. 3, 2007; United States Patent and Trademark Office; Alexandria, Virginia.

Primary Examiner — Catherine R Oliver-Garcia

(74) *Attorney, Agent, or Firm* — Thomas E. Lees, LLC

(57) **CLAIM**

The ornamental design for a device holding strap, as shown and described.

DESCRIPTION

FIG. 1 is a perspective view of a device holding strap showing an optional gripper;

FIG. 2 is a front elevational view of the device holding strap of FIG. 1;

FIG. 3 is a rear elevational view of the device holding strap of FIG. 1;

FIG. 4 is a left side elevational view of the device holding strap of FIG. 1;

FIG. 5 is a right side elevational view of the device holding strap of FIG. 1;

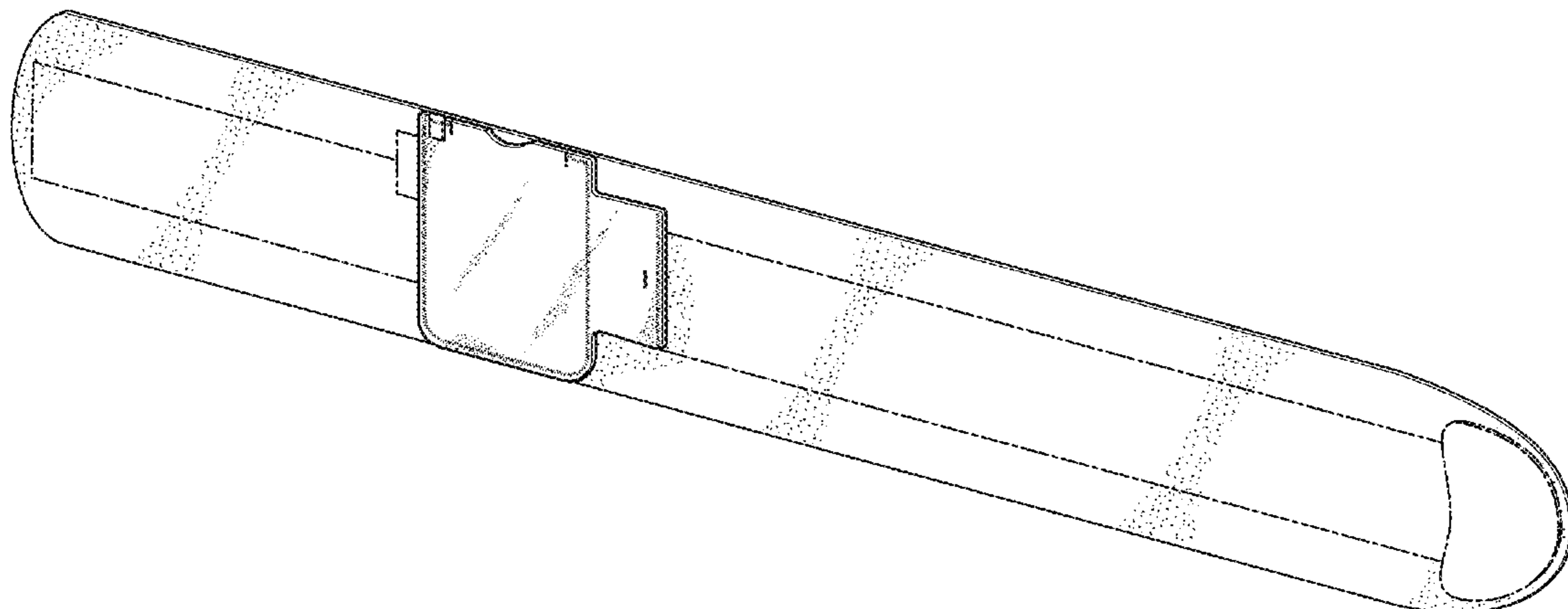
FIG. 6 is a top plan view of the device holding strap of FIG. 1;

FIG. 7 is a bottom plan view of the device holding strap of FIG. 1;

FIG. 8 is a perspective view showing the device holding strap in use holding a radio transmitter in a primary pocket, and a cable of the radio transmitter in a secondary sleeve (which can optionally be attached as a secondary pocket); and,

FIG. 9 is a perspective view identical to the device holding strap of FIG. 1, but shown without the optional gripper strip. The broken lines depict environment and are for illustrative purposes only and form no part of the claimed design.

1 Claim, 4 Drawing Sheets



(56)

References Cited

U.S. PATENT DOCUMENTS

D748,911	S	2/2016	Grech	
D762,375	S	* 8/2016	Duarte	D3/218
D774,751	S	* 12/2016	Pomerantz	D3/218
D798,584	S	* 10/2017	Beers	D3/218
2006/0010578	A1	1/2006	Kane	
2006/0113339	A1	6/2006	Nichols, Sr.	
2006/0124675	A1	6/2006	Calicott	
2007/0057003	A1	3/2007	Keyes	
2009/0090752	A1	4/2009	Grech	
2009/0217796	A1	9/2009	Rowley	
2013/0228603	A1	9/2013	Grech	

* cited by examiner

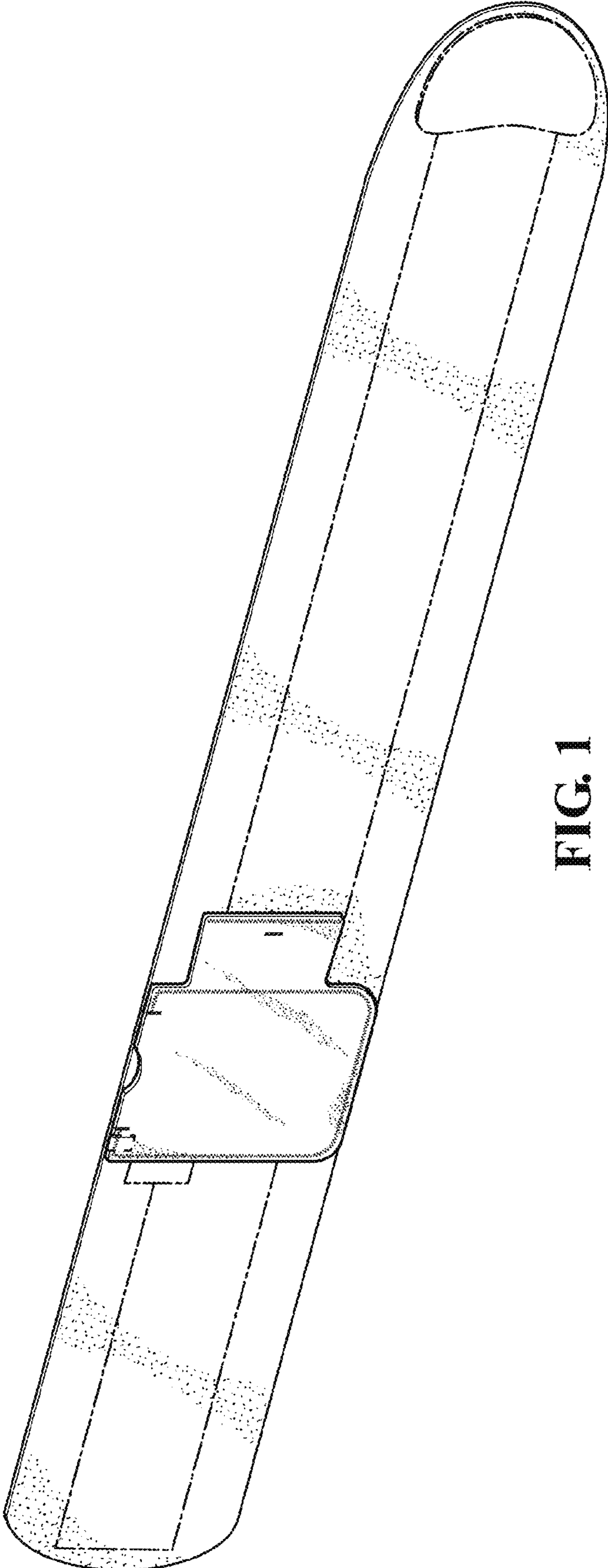


FIG. 1

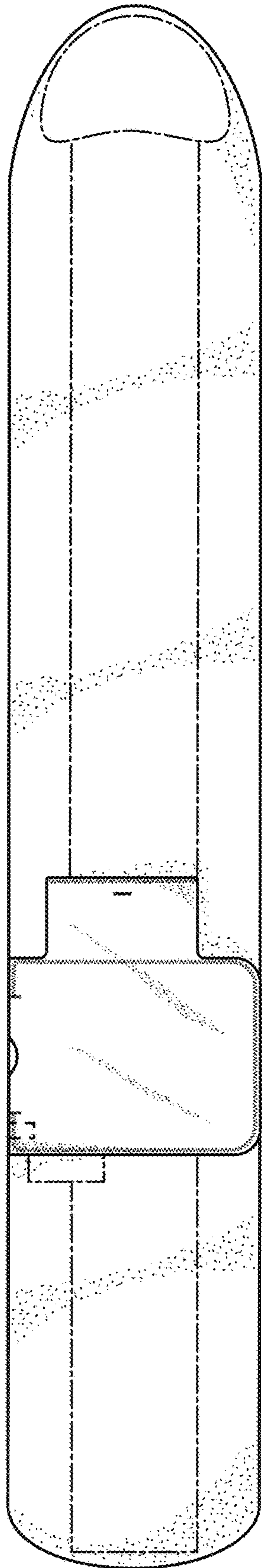


FIG. 2

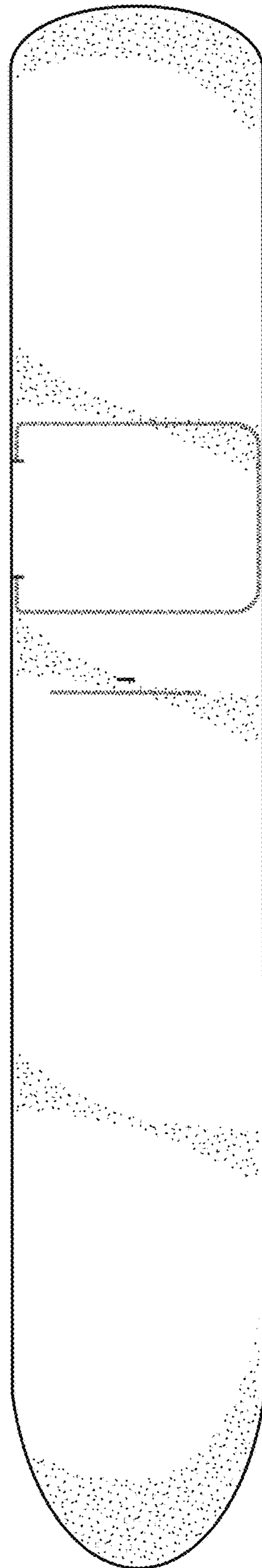


FIG. 3

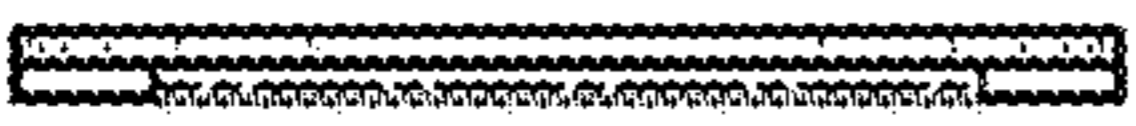


FIG. 4

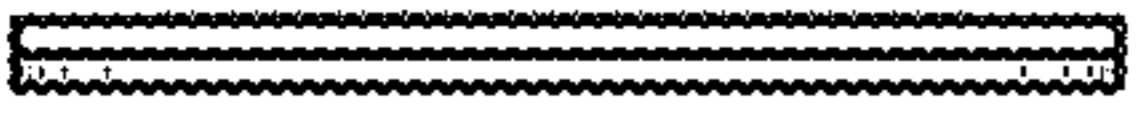


FIG. 5



FIG. 6



FIG. 7

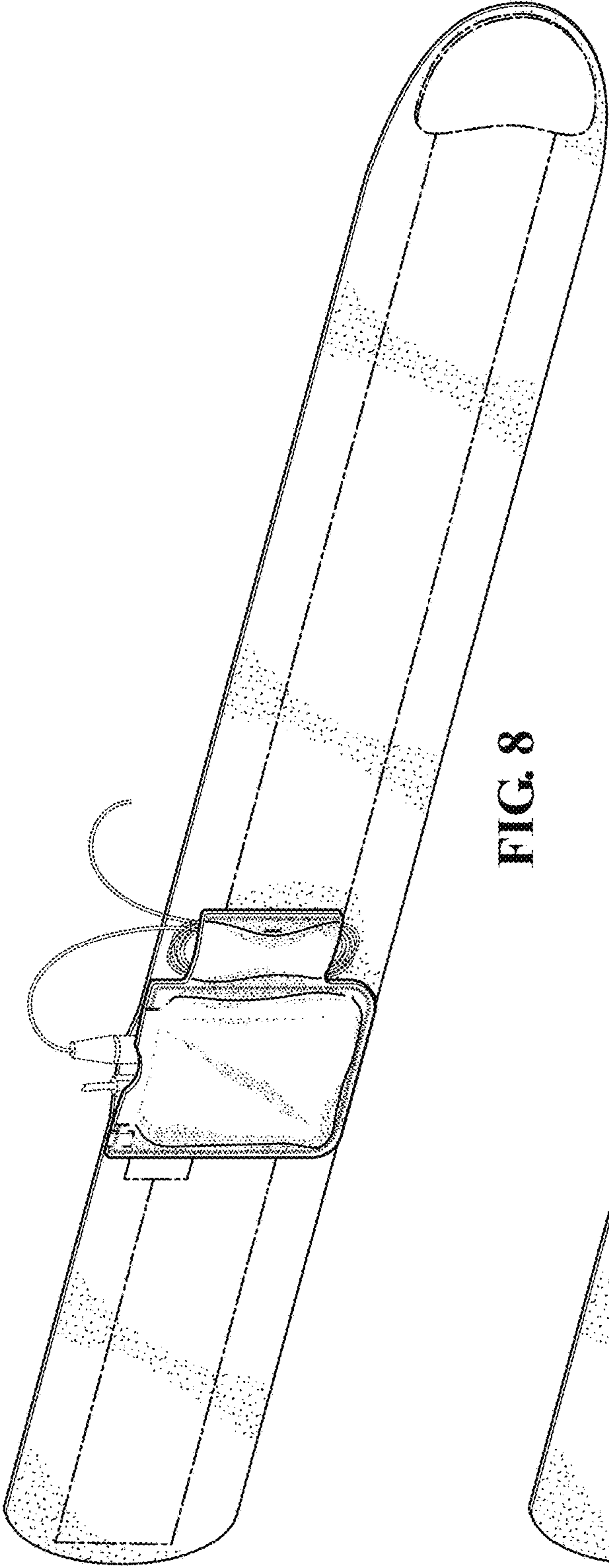


FIG. 8

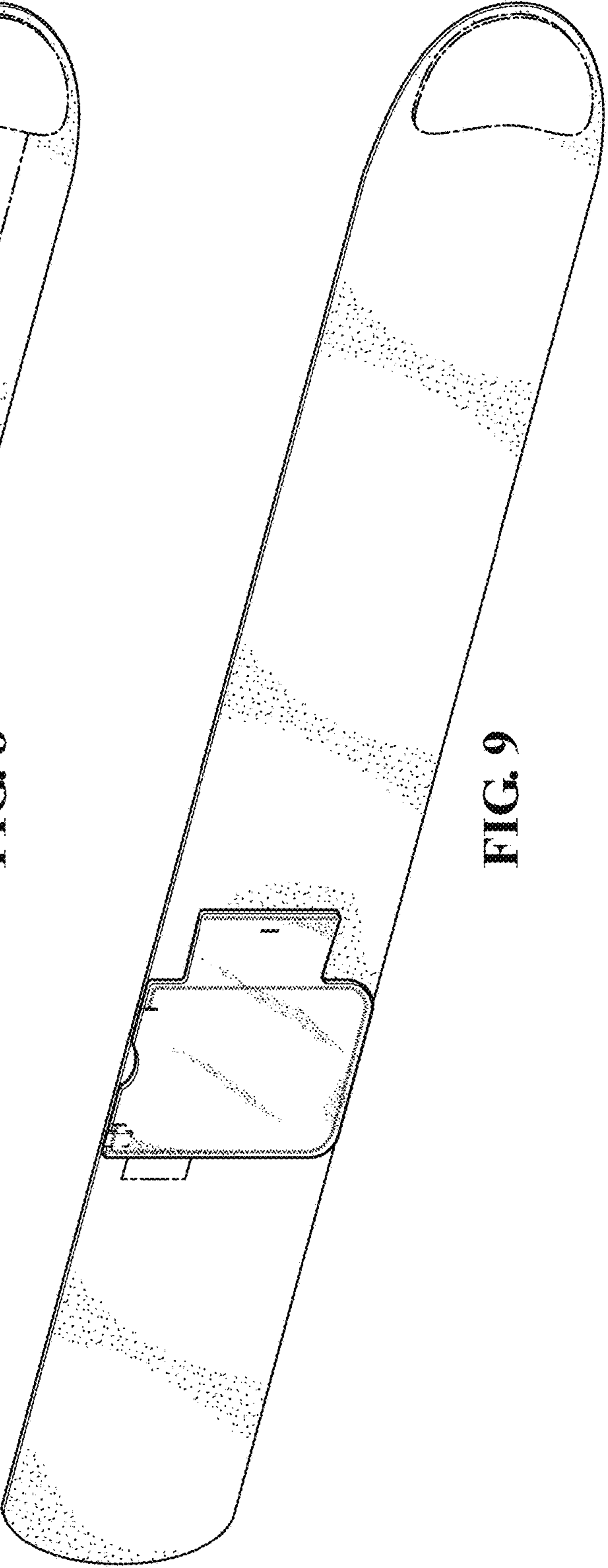


FIG. 9