



US00D811727S

(12) **United States Design Patent**
Quehl et al.

(10) **Patent No.:** **US D811,727 S**
(45) **Date of Patent:** **** Mar. 6, 2018**

(54) **SLING BAG**

(71) Applicant: **DayMen Canada Acquisition ULC**,
Vancouver (CA)

(72) Inventors: **Luis Quehl**, San Anselmo, CA (US);
Kevin Crandall, Santa Rosa, CA (US)

(73) Assignee: **VITEC HOLDINGS ITALIA SRL**,
Richmond (GB)

(**) Term: **15 Years**

(21) Appl. No.: **29/557,940**

(22) Filed: **Mar. 14, 2016**

(51) **LOC (11) Cl.** **03-01**

(52) **U.S. Cl.**
USPC **D3/217**

(58) **Field of Classification Search**
USPC D3/201, 213–219, 221, 224, 225, 229,
D3/230, 232, 243–246, 254, 318
CPC .. A45C 3/08; A45C 3/06; A45C 13/08; A45C
13/02; A45C 7/0086; A45C 3/00; A45C
13/26; A45F 3/04; A45F 3/02
See application file for complete search history.

(56) **References Cited**

U.S. PATENT DOCUMENTS

D315,825 S *	4/1991	Hutton	D3/217
D375,622 S *	11/1996	Croft	D3/217
D425,698 S *	5/2000	Paul	D3/216
D484,686 S *	1/2004	Nordstrom	D3/216
6,837,409 B2 *	1/2005	Lemanski, II	A45F 3/04 224/578
D550,449 S *	9/2007	Gossett	D3/217
D552,845 S *	10/2007	Shor	D3/217
D668,043 S *	10/2012	Quehl	D3/233
D668,044 S *	10/2012	Quehl	D3/233
8,453,896 B1 *	6/2013	Mansell	A45C 3/001 206/287
D702,434 S *	4/2014	Chalk	D3/216

D737,567 S *	9/2015	Roberts	D3/217
D752,856 S *	4/2016	Marez	D3/217
D758,715 S *	6/2016	Daniel	D3/217
2002/0179653 A1 *	12/2002	Klamm	A45F 3/04 224/153

* cited by examiner

Primary Examiner — George D. Kirschbaum

Assistant Examiner — Jennifer L Watkins

(74) *Attorney, Agent, or Firm* — Medler Ferro
Woodhouse & Mills PLLC

(57) **CLAIM**

The ornamental design for a sling bag, as shown and described.

DESCRIPTION

FIG. 1 is a front, right perspective view of an embodiment of a sling bag showing our design.

FIG. 2 is a back, left perspective view of the sling bag of FIG. 1.

FIG. 3 is a left side view of the sling bag of FIG. 1.

FIG. 4 is a front view of the sling bag of FIG. 1.

FIG. 5 is a right side view of the sling bag of FIG. 1.

FIG. 6 is a rear view of the sling bag of FIG. 1.

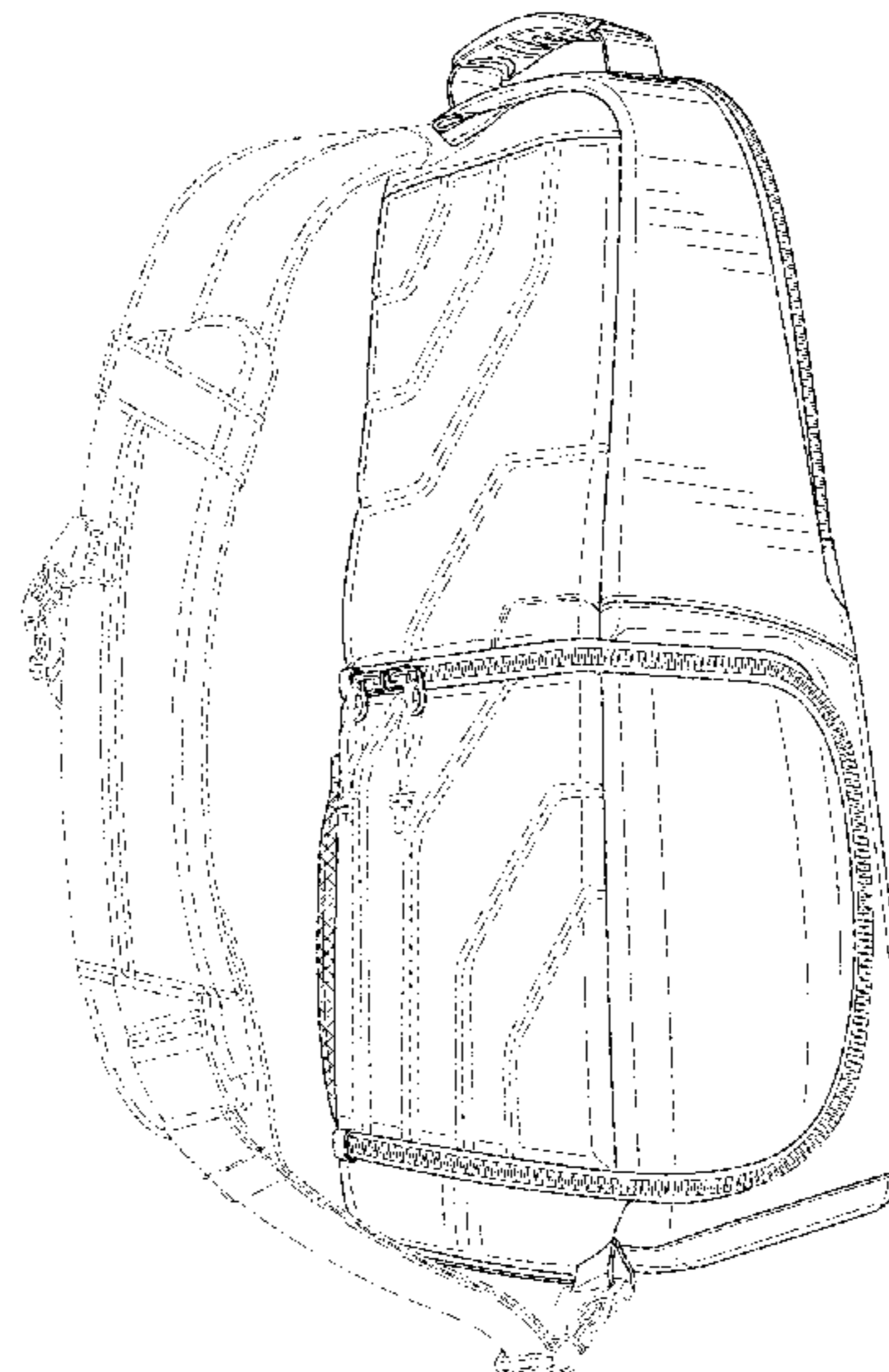
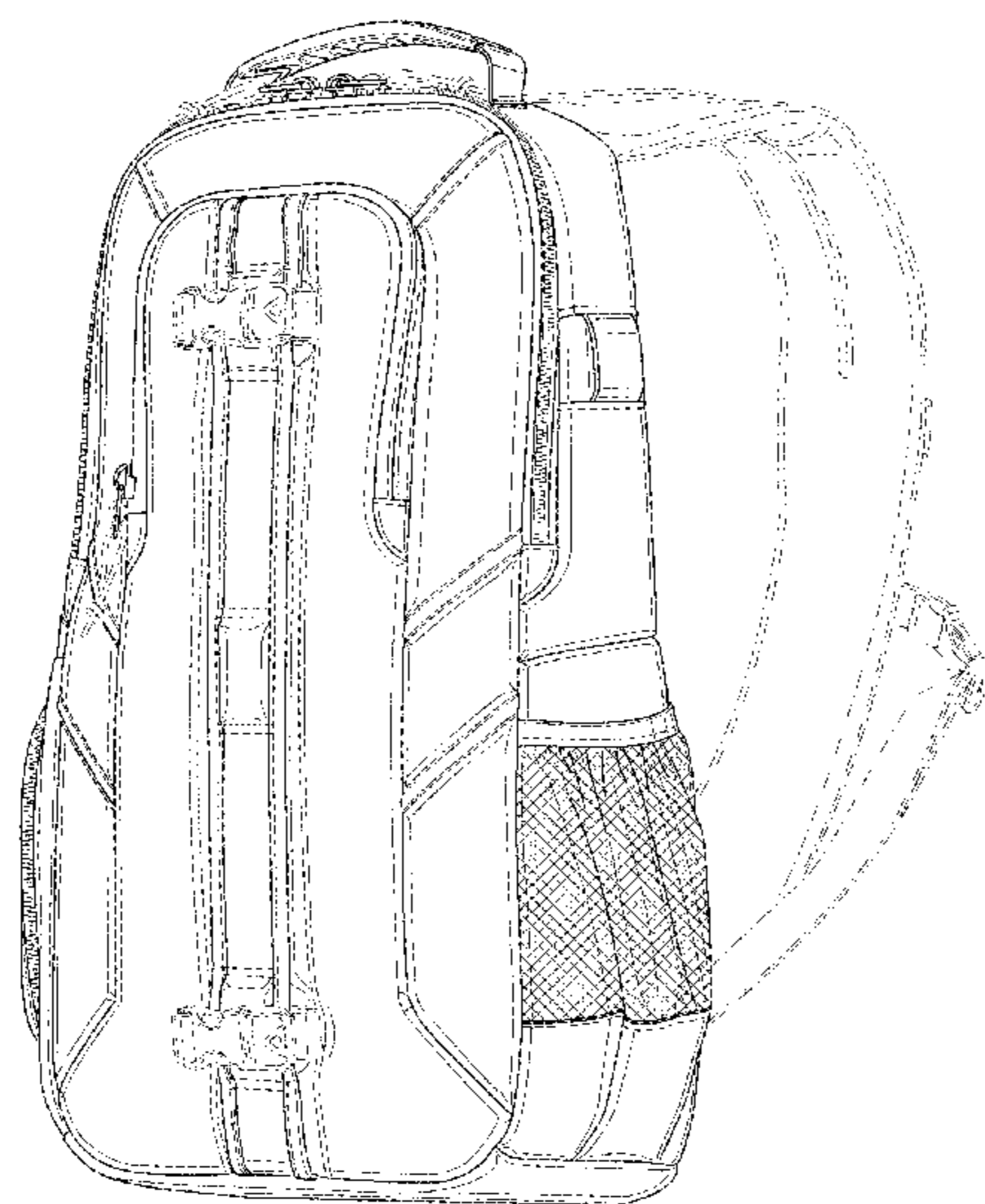
FIG. 7 is a top view of the sling bag of FIG. 1.

FIG. 8 is a bottom view of the sling bag of FIG. 1.

FIG. 9 is a back left perspective view of the sling bag of FIG. 1 with an access open to an interior of the sling bag.

The evenly dashed broken lines in the figures is for the purpose of illustrating stitching and form no part of the claimed design. The dash-dot-dash lines showing zipper pulls, rear padding, the carry strap, the front buckles, and the interior portions are for the purpose of illustrating environmental subject matter only and form no part of the claimed design.

1 Claim, 9 Drawing Sheets



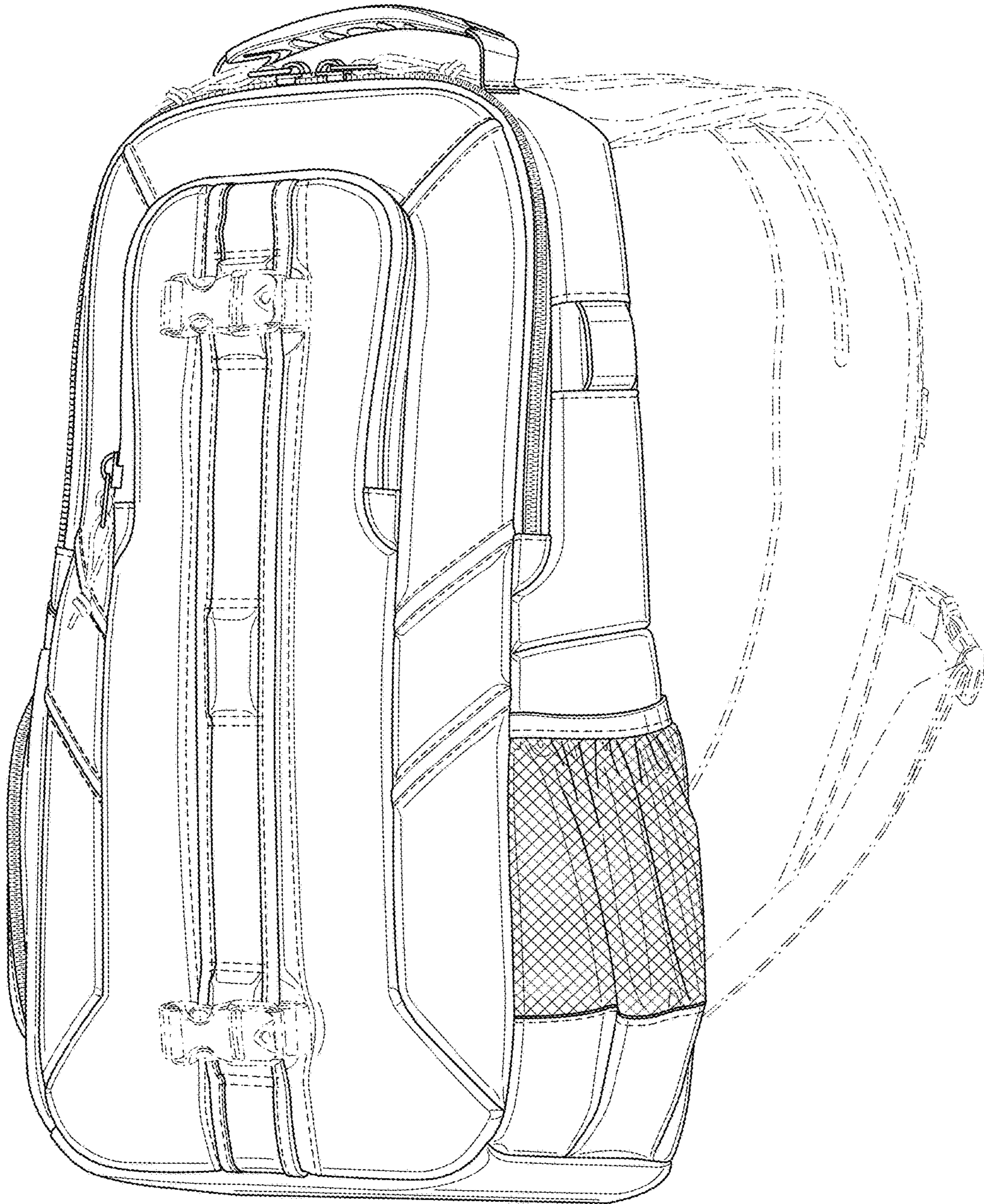


FIG. 1



FIG. 2

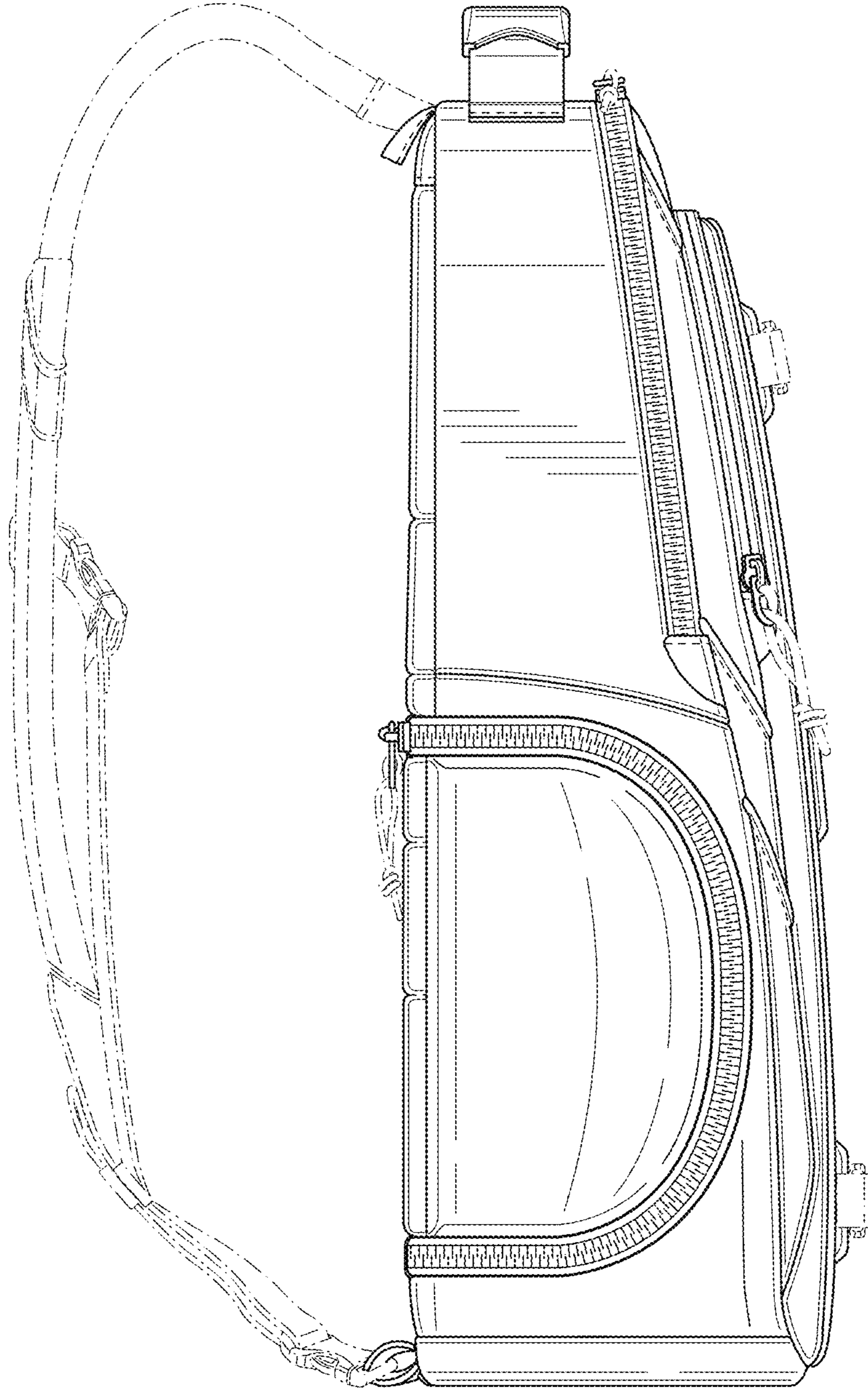


FIG. 3

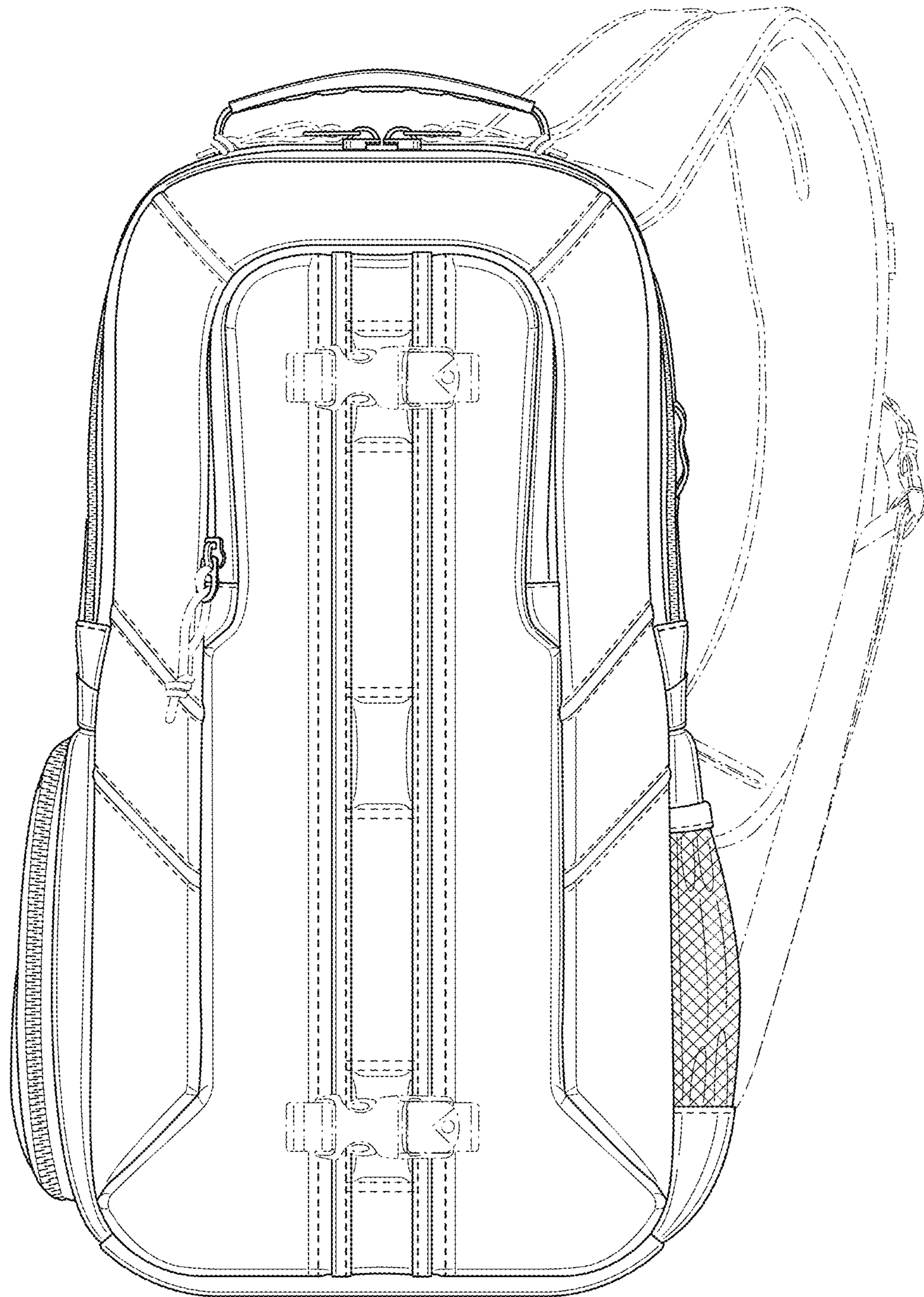


FIG. 4

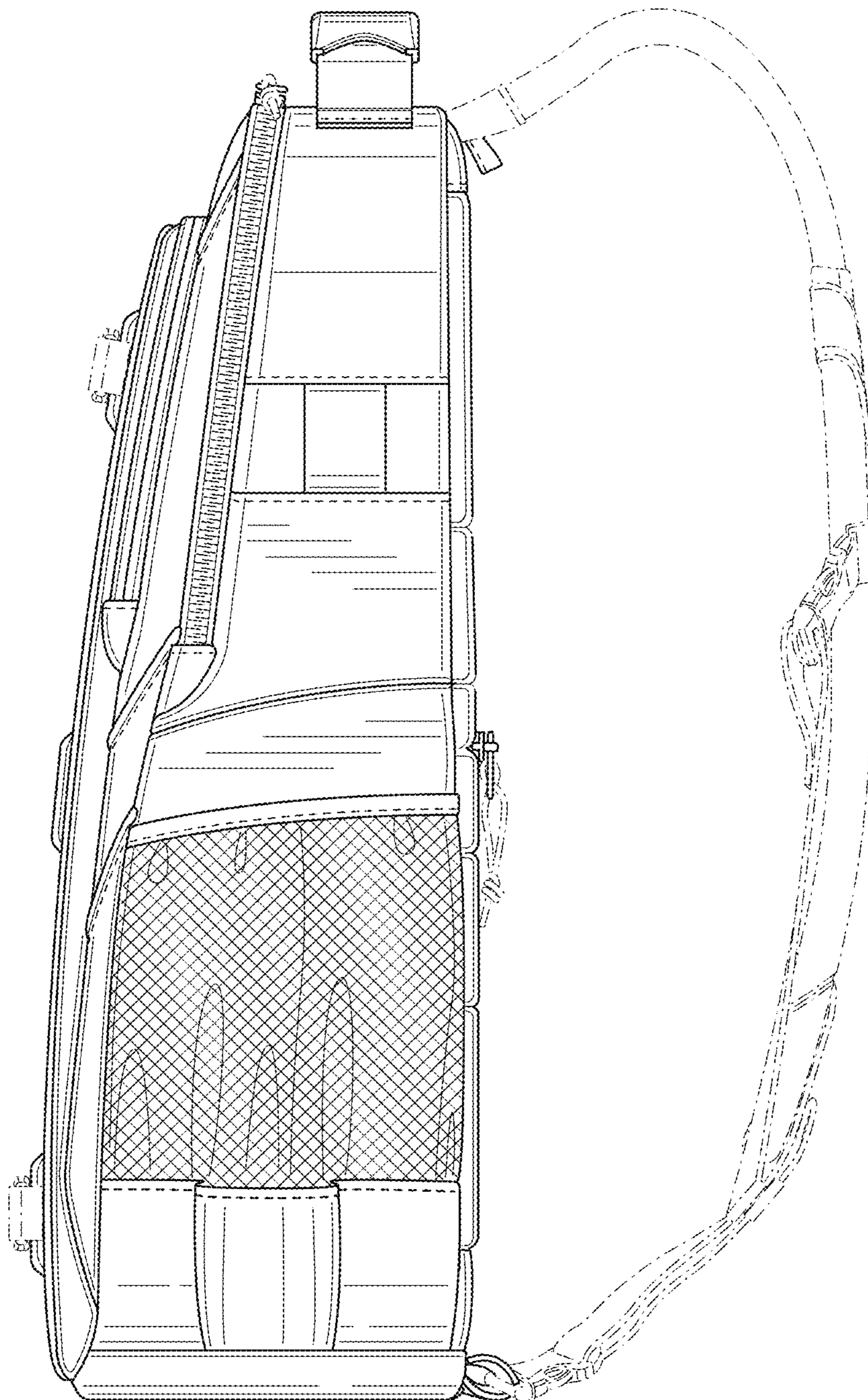


FIG. 5

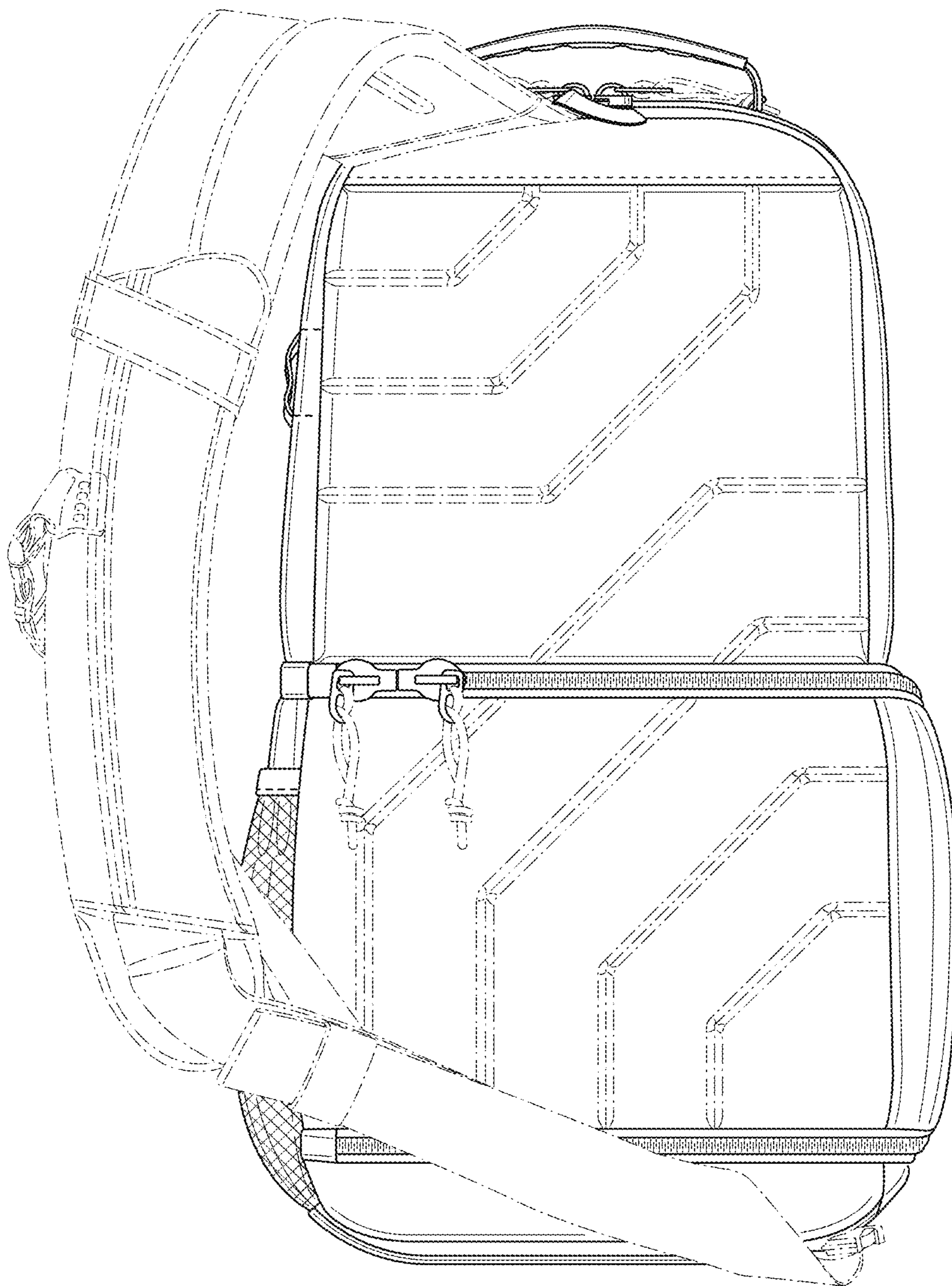


FIG. 6

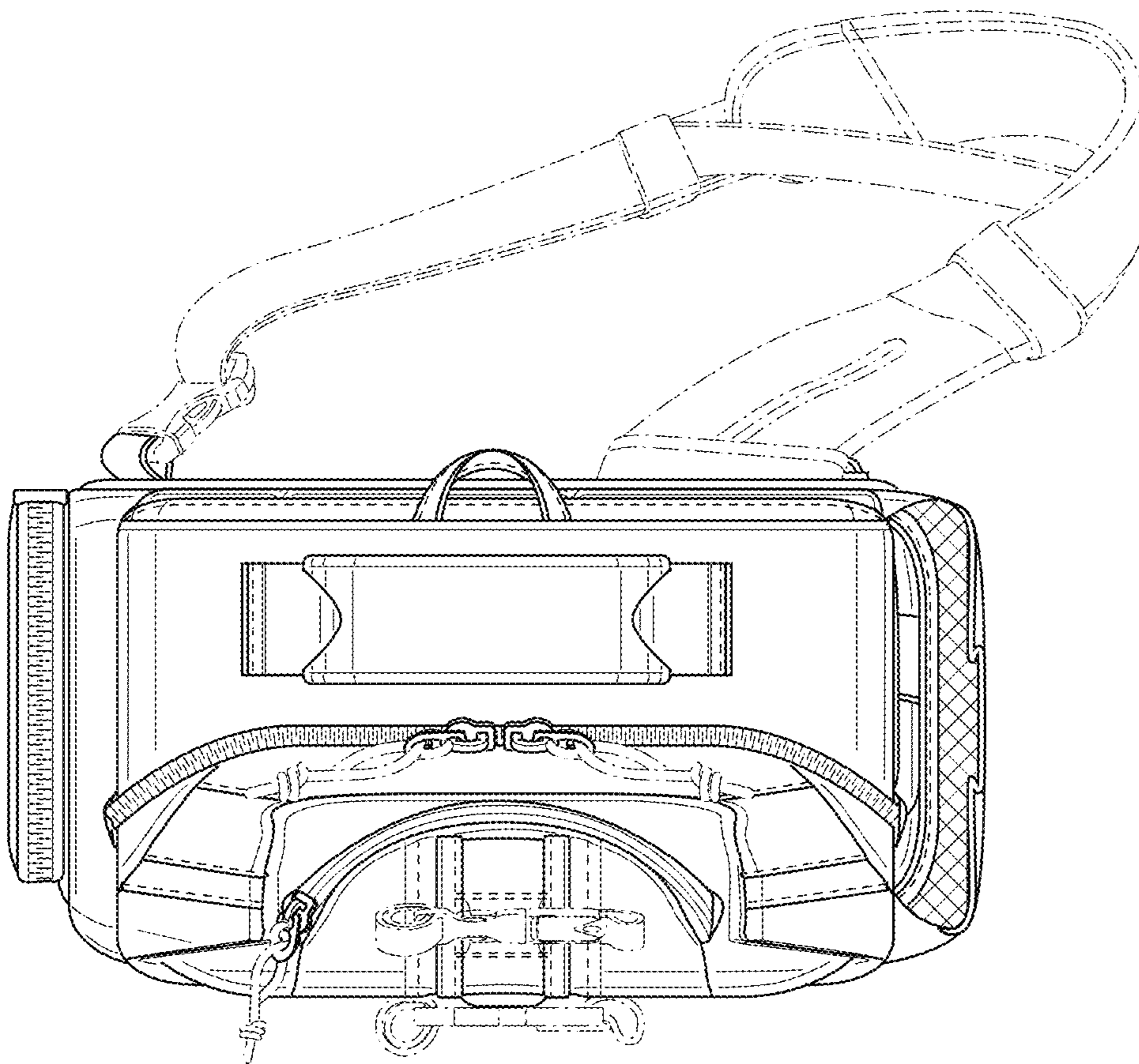


FIG. 7

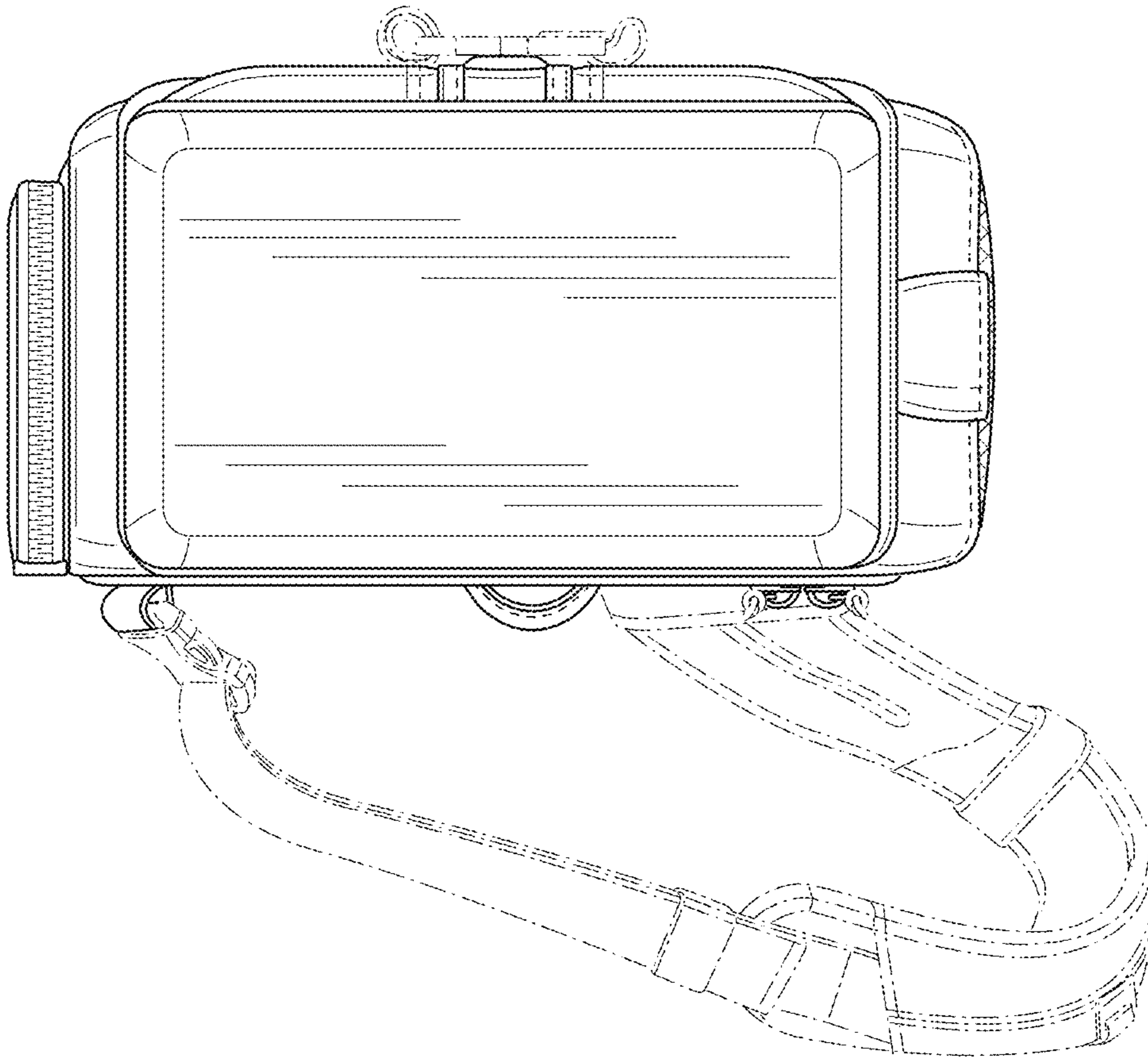


FIG. 8

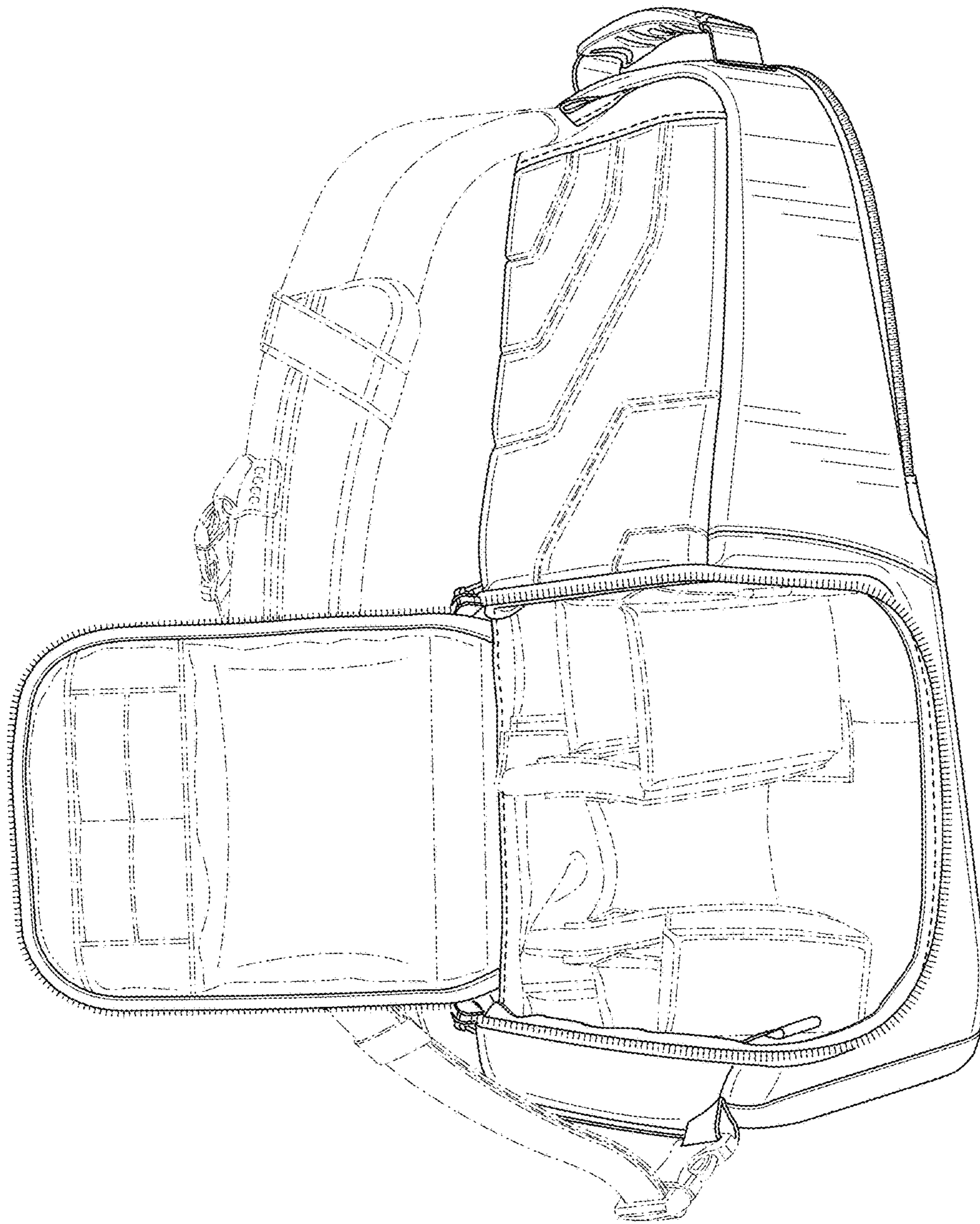


FIG. 9