



US00D811722S

(12) **United States Design Patent** (10) **Patent No.:** **US D811,722 S**  
**Padden** (45) **Date of Patent:** **\*\* Mar. 6, 2018**

(54) **COLLAPSIBLE CONTAINER**  
(71) Applicant: **Stephen Padden**, Long Beach, CA (US)  
(72) Inventor: **Stephen Padden**, Long Beach, CA (US)  
(\*\*) Term: **15 Years**  
(21) Appl. No.: **29/574,660**  
(22) Filed: **Aug. 17, 2016**  
(51) **LOC (11) Cl.** ..... **03-01**  
(52) **U.S. Cl.**  
USPC ..... **D3/203.1**  
(58) **Field of Classification Search**  
USPC ..... D3/201, 203.1, 203.2, 203.3, 203.5, D3/203.6, 203.7, 203.8, 205, 206  
CPC .... B65D 77/0433; B65D 75/327; B65D 1/36; B65D 83/04; B65D 83/0418; B65D 83/0445; B65D 2501/24; B65D 2585/56; B65D 2583/0413; B65D 2583/01; B65D 2583/0422; A61J 1/03  
See application file for complete search history.

5,806,670 A \* 9/1998 Harlan ..... A61J 1/03 116/67 R  
5,941,255 A 8/1999 Chen  
D418,288 S \* 1/2000 Priebe ..... D3/201  
D426,381 S \* 6/2000 Au ..... D3/201  
D430,392 S \* 9/2000 Noble ..... D3/201  
(Continued)

**FOREIGN PATENT DOCUMENTS**

JP 2011251720 A 12/2011  
*Primary Examiner* — John Windmuller  
*Assistant Examiner* — Steven Czyz  
(74) *Attorney, Agent, or Firm* — QuickPatents, LLC; Kevin Prince

(57) **CLAIM**

I claim the ornamental design for a collapsible container, as shown and described.

**DESCRIPTION**

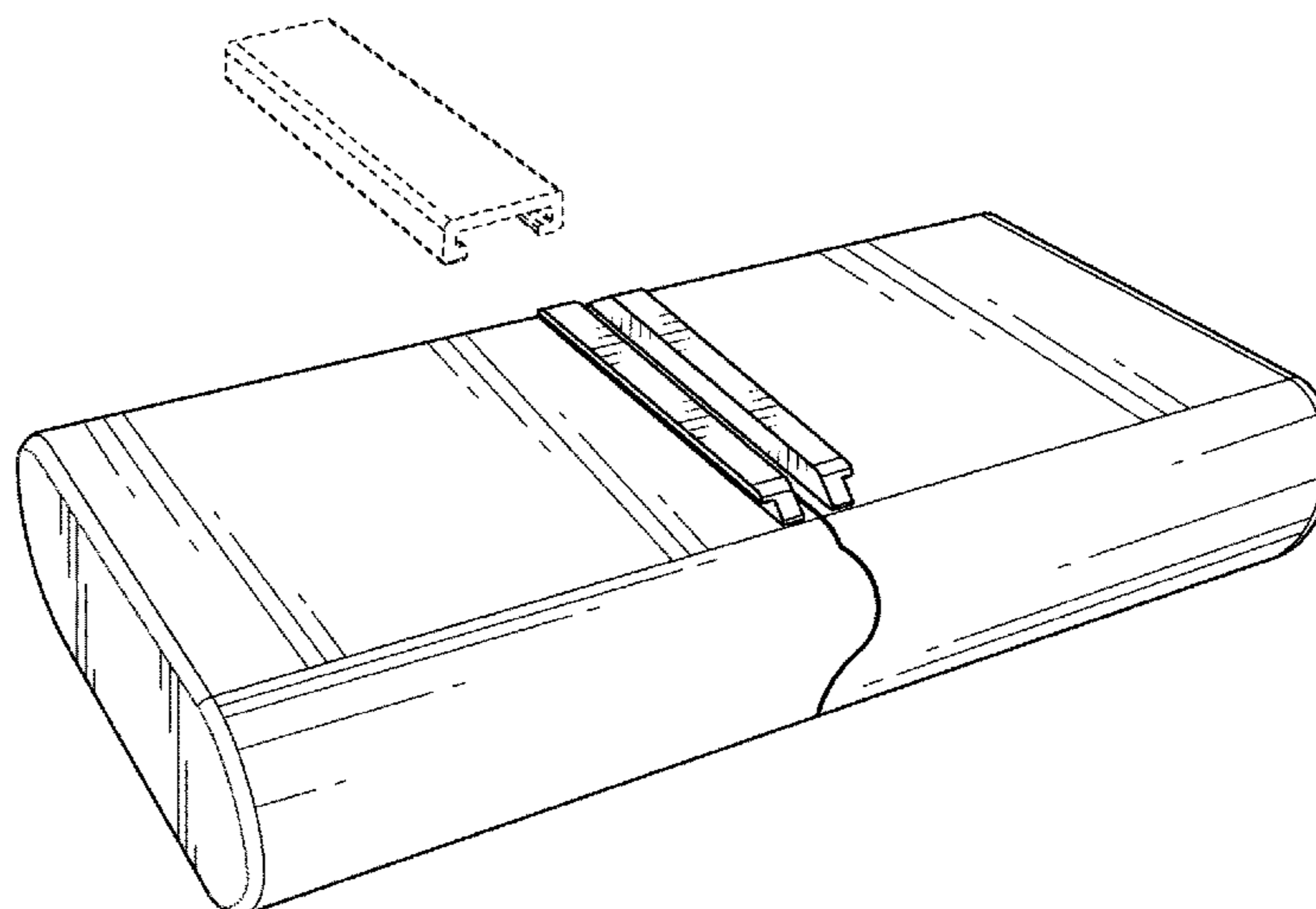
FIG. 1 is a perspective view of a collapsible container, showing my new design in a closed configuration; FIG. 2 is a front elevation view, with the rear view being a mirror image thereof; FIG. 3 is a left side elevation view, with the right side elevation view being a mirror image thereof; FIG. 4 is a top plan view thereof; FIG. 5 is a bottom plan view thereof; FIG. 6 is a perspective view of the collapsible container shown in an open configuration, thereof; FIG. 7 left side elevation view, with the right side elevation view being a mirror image thereof; FIG. 8 is a front elevation view thereof; FIG. 9 is a rear plan view thereof; FIG. 10 is a top plan view thereof; and, FIG. 11 is a bottom plan view thereof. The broken lines depict portions of the article that form no part of the claimed design.

**1 Claim, 6 Drawing Sheets**

(56) **References Cited**

**U.S. PATENT DOCUMENTS**

1,428,092 A 9/1922 Honma  
1,973,283 A 9/1934 Buttrick  
2,790,301 A 4/1957 Dintsman  
3,749,230 A \* 7/1973 Foster ..... B65D 43/164 206/1.5  
D271,081 S \* 10/1983 Noble ..... D3/203.3  
D275,833 S \* 10/1984 Malpass ..... D3/203.3  
D304,905 S \* 12/1989 Zimmerman ..... D3/203.3  
D337,052 S \* 7/1993 Anderson ..... D3/203.2  
D337,725 S \* 7/1993 Bunin ..... D3/203.3  
D339,742 S \* 9/1993 Walchek, Jr. .... D3/203.3  
D349,850 S \* 8/1994 Lemman ..... D3/203.3  
D358,546 S \* 5/1995 Walchek, Jr. .... D3/203.3  
D358,762 S \* 5/1995 Walchek, Jr. .... D3/203.3  
D398,521 S \* 9/1998 Coe ..... D3/203.3



(56)

References Cited

U.S. PATENT DOCUMENTS

6,302,855	B1 *	10/2001	Lav	.....	A61B 5/14532				
					600/584				
D457,718	S *	5/2002	McDonald	.....	D3/205				
6,415,915	B1 *	7/2002	Grossman	.....	A45C 11/04				
					206/45.23				
D466,801	S *	12/2002	Holland	.....	D3/203.3				
D508,164	S *	8/2005	Coe	.....	D3/203.3				
D522,742	S *	6/2006	Priebe	.....	D3/203.3				
D528,782	S *	9/2006	Oas	.....	D3/203.3				
D529,279	S *	10/2006	Parks	.....	D3/203.3				
D541,039	S *	4/2007	Stugelmeyer	.....	D3/203.3				
D576,787	S *	9/2008	Fulmer Mason	.....	D3/203.3				
D587,005	S *	2/2009	Gardner	.....	D3/203.3				
7,784,609	B2	8/2010	Frost						
D647,295	S *	10/2011	Rietjens	.....	D3/203.3				
D652,617	S *	1/2012	Chen	.....	D3/203.3				
D660,583	S *	5/2012	Mlinarevic	.....	D3/203.3				
D661,082	S *	6/2012	Wingate, III	.....	D3/203.3				
D663,112	S *	7/2012	Fulmer Mason	.....	D3/203.3				
D684,355	S *	6/2013	Priebe	.....	D3/203.3				
D695,512	S *	12/2013	Priebe	.....	D3/203.3				
D696,007	S *	12/2013	Priebe	.....	D3/203.3				
D696,008	S *	12/2013	Priebe	.....	D3/203.3				
D696,009	S *	12/2013	Priebe	.....	D3/203.3				
D696,010	S *	12/2013	Priebe	.....	D3/203.3				
D696,856	S *	1/2014	Priebe	.....	D3/203.3				
D697,303	S *	1/2014	Priebe	.....	D3/203.3				
D698,141	S *	1/2014	Priebe	.....	D3/203.3				
D698,540	S *	2/2014	Priebe	.....	D3/203.3				
8,678,185	B1	3/2014	Lin						
D703,943	S *	5/2014	Priebe	.....	D3/203.3				
D709,282	S *	7/2014	Priebe	.....	D3/203.3				
D727,011	S *	4/2015	Priebe	.....	D3/203.3				
9,161,885	B1 *	10/2015	Zhou	.....	A61J 7/0418				
D747,869	S *	1/2016	Priebe	.....	D3/203.3				
9,317,663	B2 *	4/2016	Dickie	.....	G06F 19/3462				
9,326,915	B2 *	5/2016	Andrews	.....	A61J 7/0084				
D761,009	S *	7/2016	Jewell	.....	D3/203.3				
D775,462	S *	1/2017	Noble	.....	D3/203.3				
D777,419	S *	1/2017	Noble	.....	D3/203.3				
2003/0230499	A1	12/2003	Wagner						
2007/0023316	A1 *	2/2007	Coe	.....	A61J 1/03				
					206/534				
2007/0194128	A1 *	8/2007	Coe	.....	A45C 11/00				
					235/486				
2009/0230014	A1 *	9/2009	Keffeler	.....	A61J 1/03				
					206/532				
2009/0283437	A1 *	11/2009	Angelucci	.....	A61J 7/04				
					206/530				
2009/0283438	A1 *	11/2009	Bourque	.....	A61J 1/03				
					206/531				
2010/0147735	A1 *	6/2010	Musgray	.....	A61J 7/04				
					206/538				
2014/0166529	A1 *	6/2014	Fung	.....	A61J 1/03				
					206/534				
2014/0251863	A1 *	9/2014	Priebe	.....	A61J 1/03				
					206/534				
2014/0262884	A1 *	9/2014	Priebe	.....	A61J 1/03				
					206/365				
2015/0048100	A1 *	2/2015	Dickie	.....	A61J 7/0481				
					221/1				
2016/0158109	A1 *	6/2016	Nova	.....	G06F 19/3462				
					206/534				

\* cited by examiner

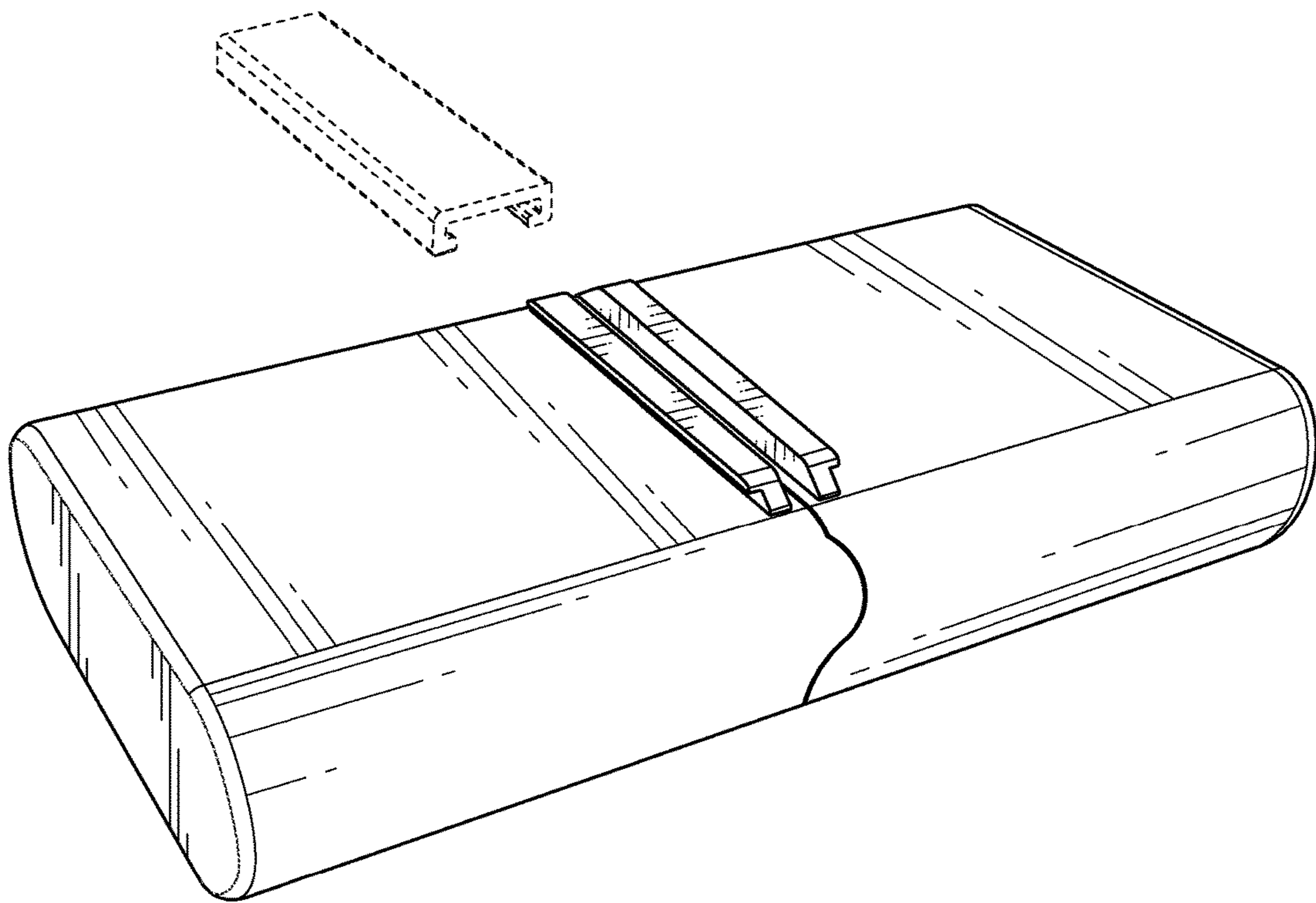


FIG. 1

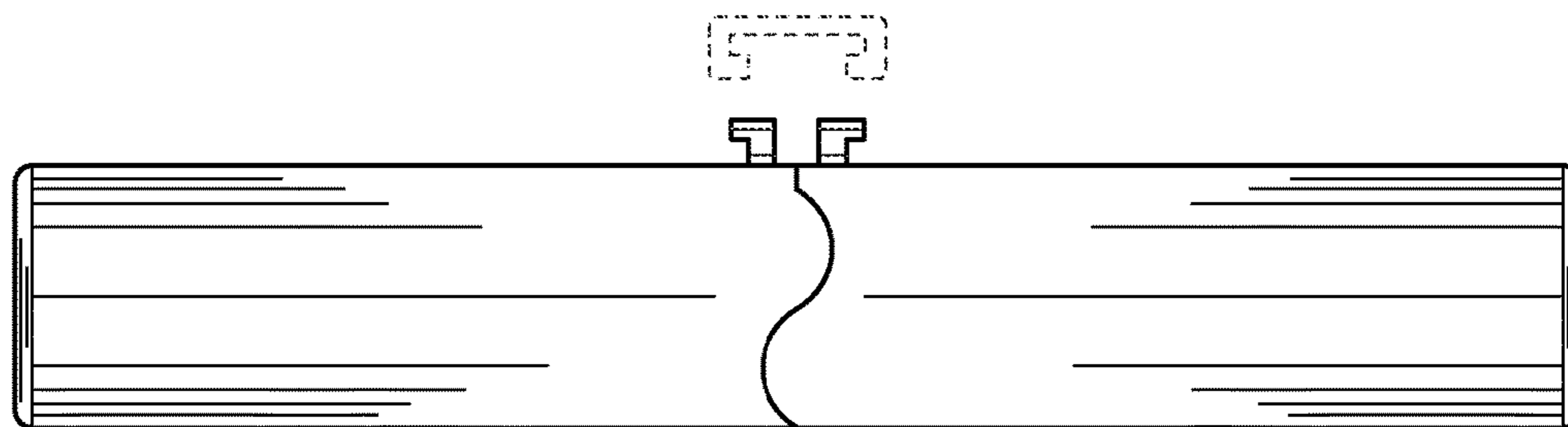


FIG. 2

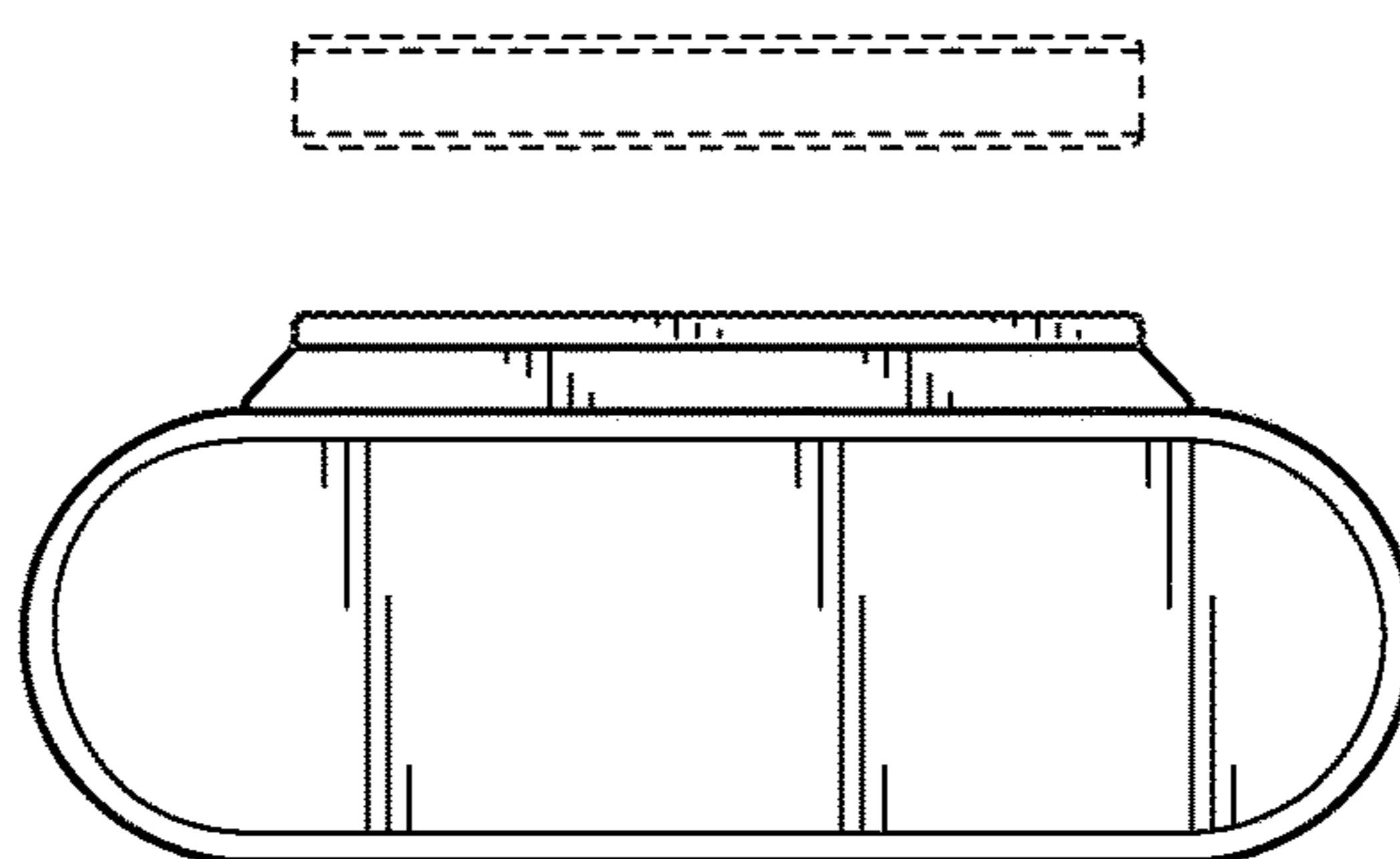


FIG. 3

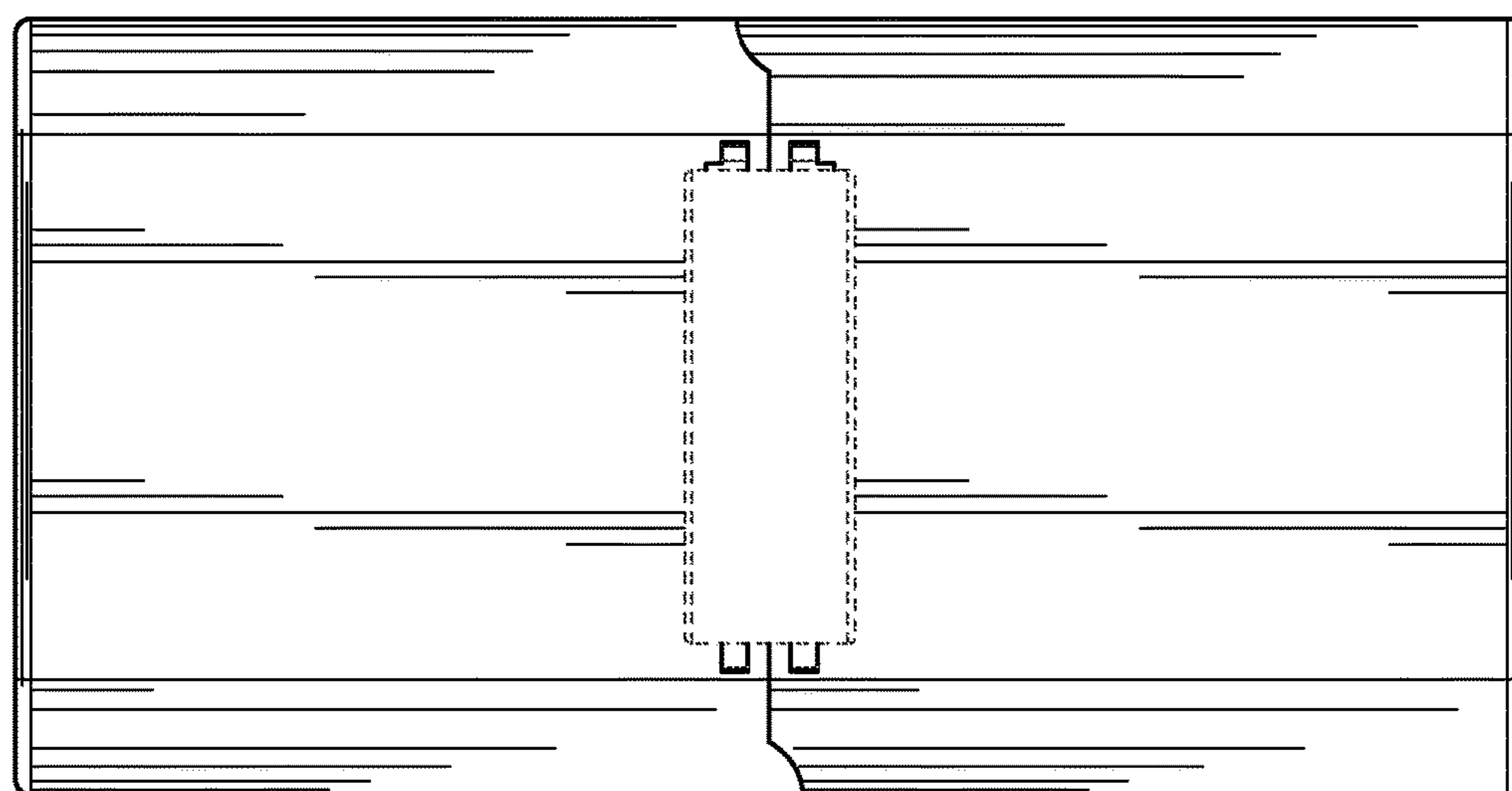


FIG. 4

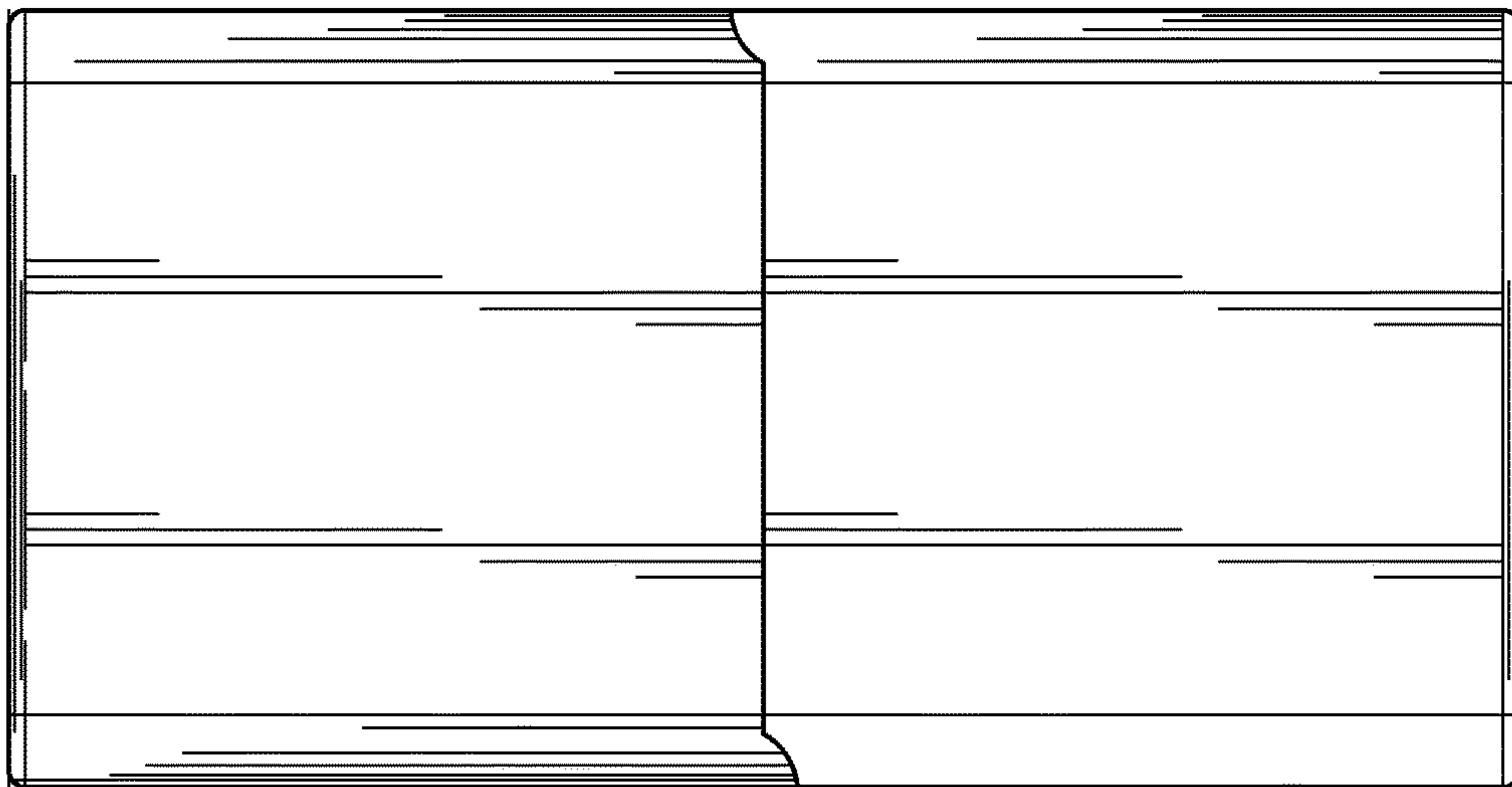


FIG. 5

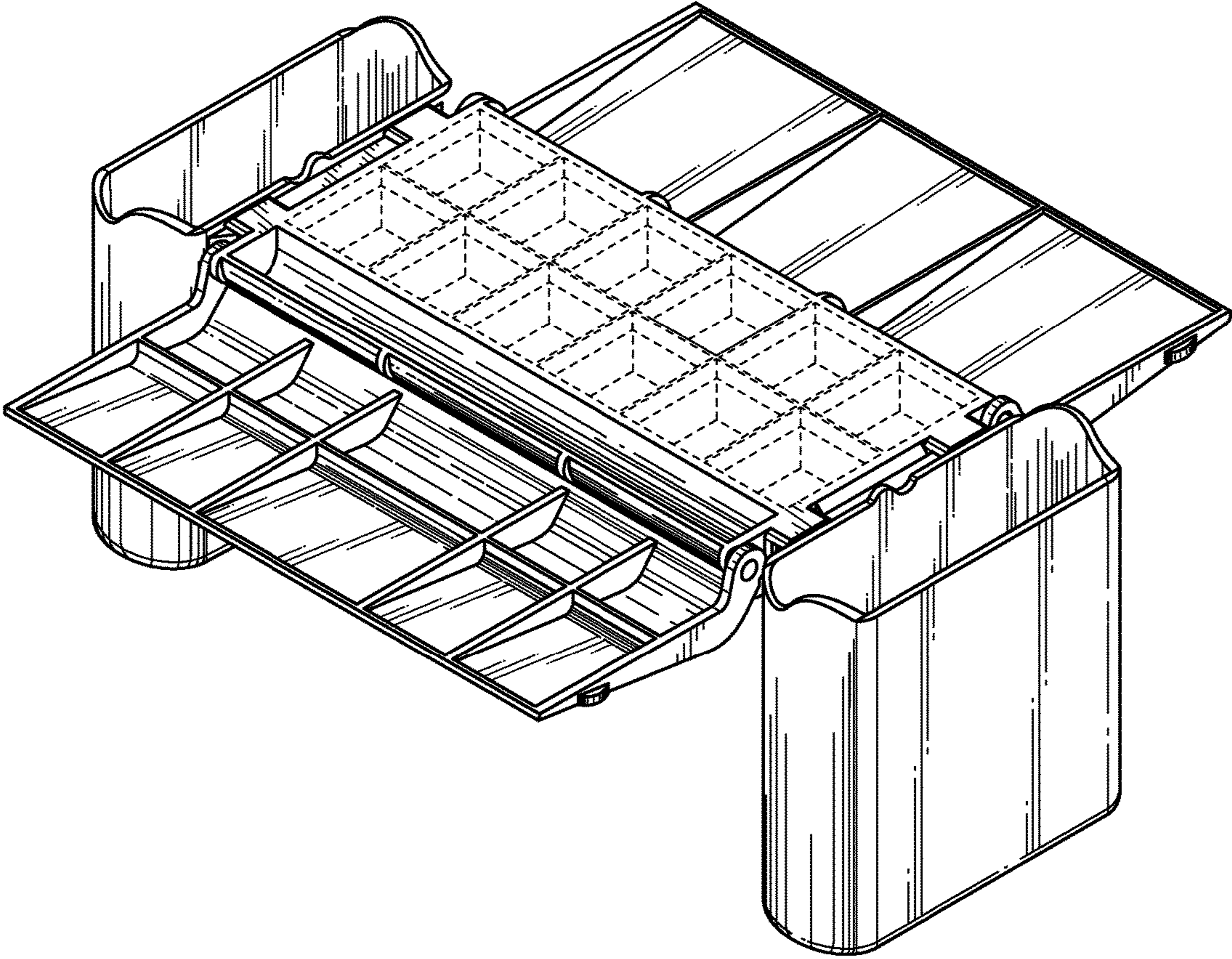


FIG. 6

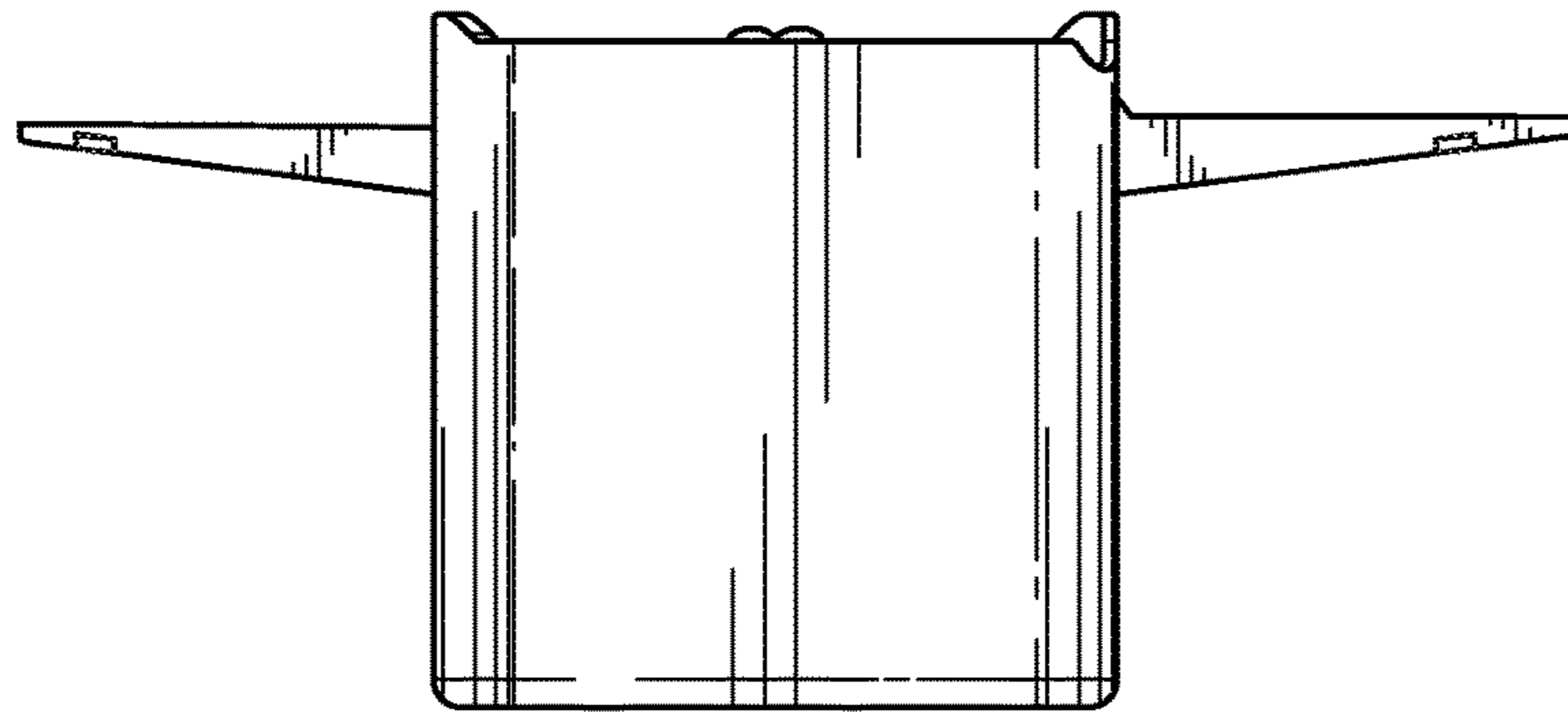


FIG. 7

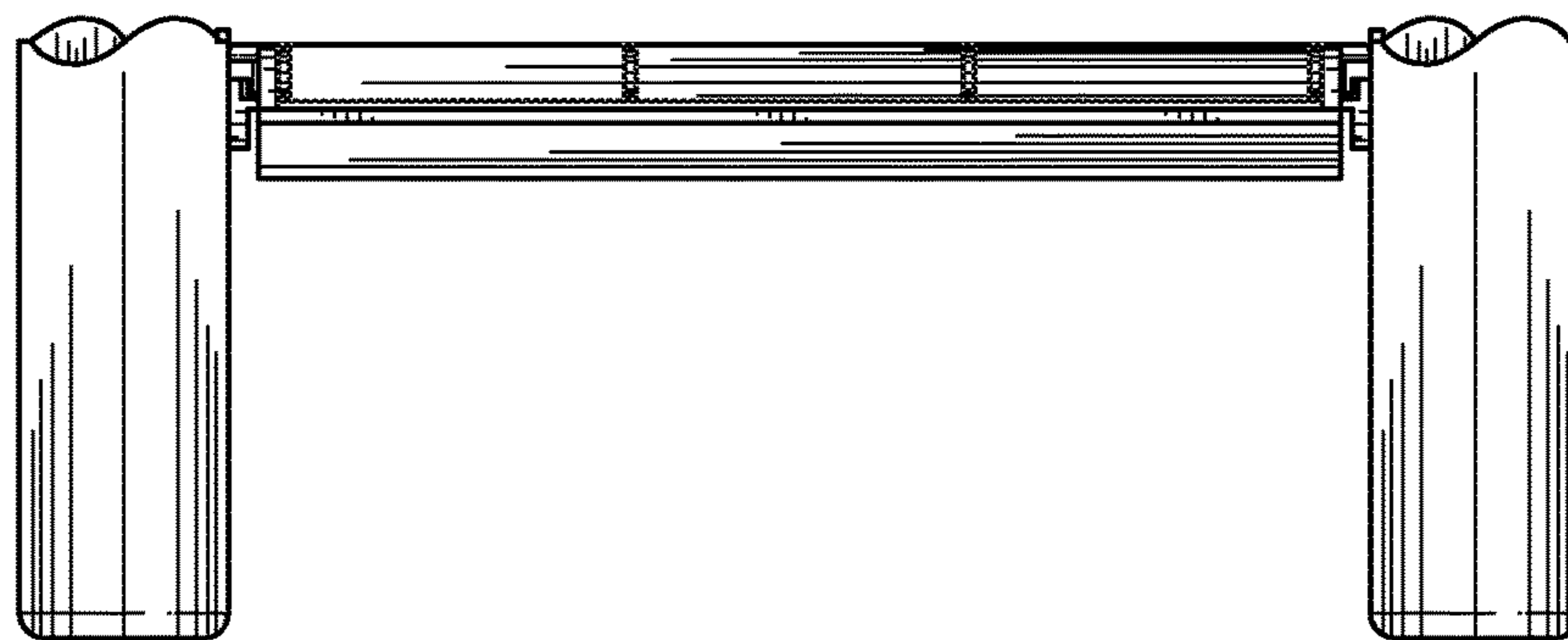


FIG. 8

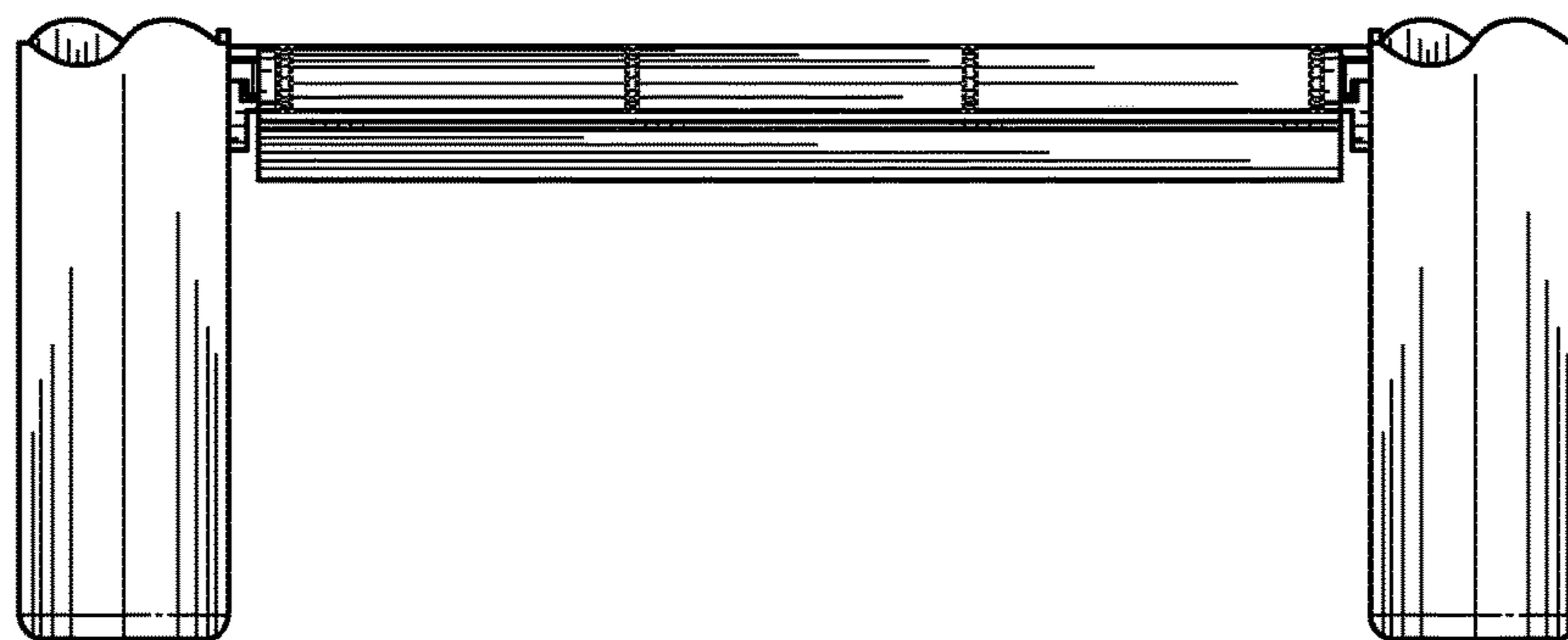


FIG. 9

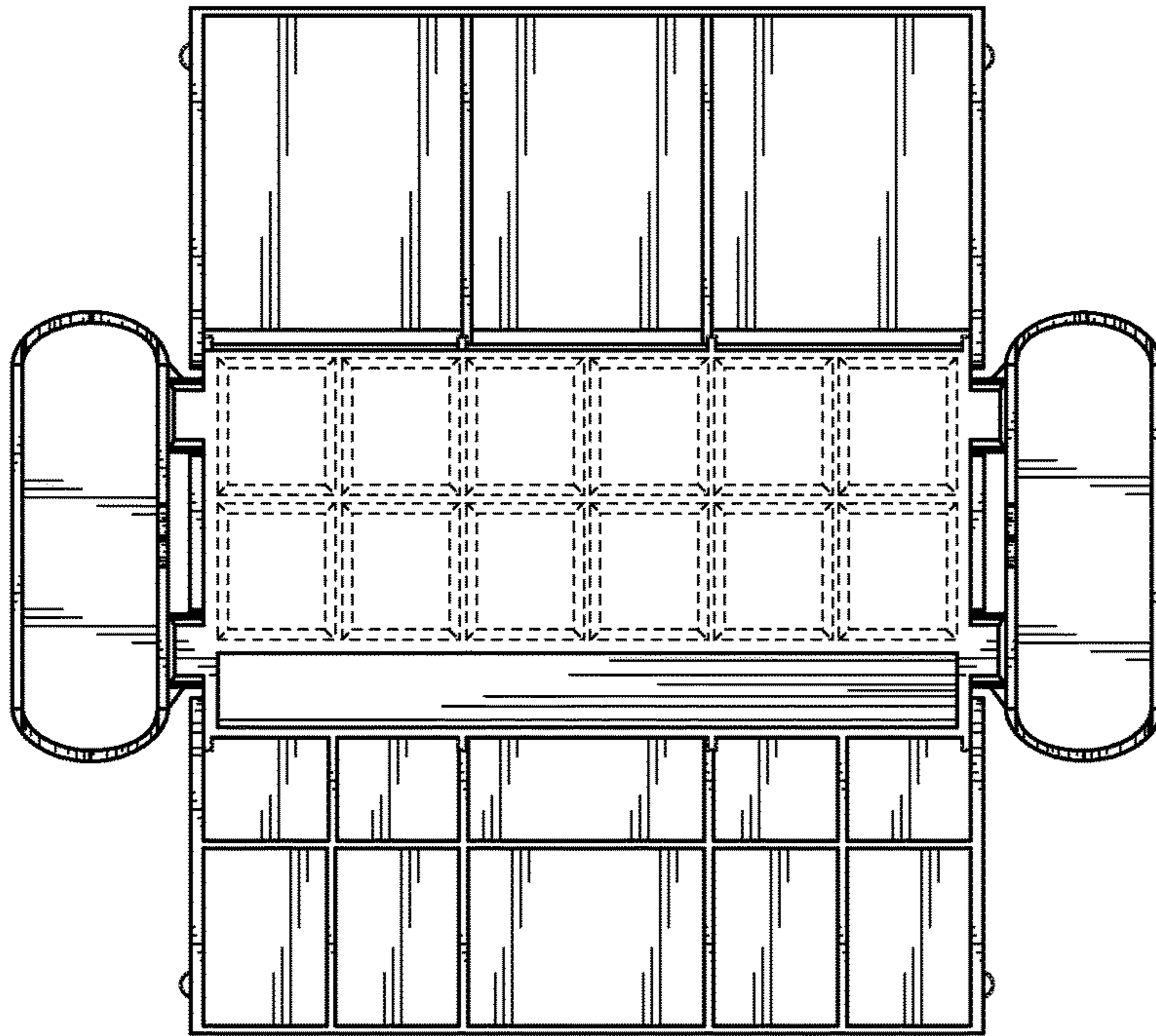


FIG. 10

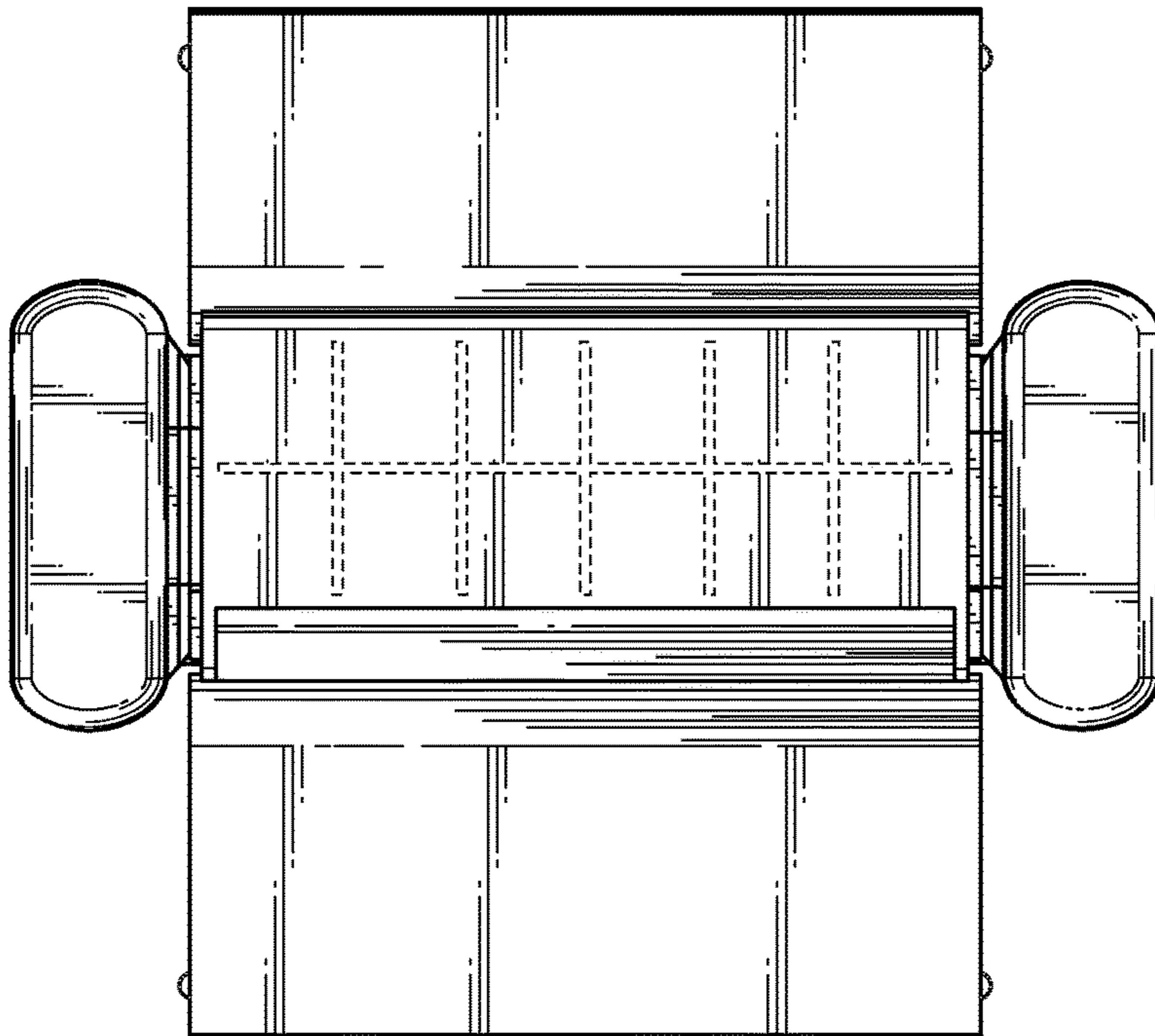


FIG. 11