



US00D811721S

(12) **United States Design Patent**
Zheng

(10) **Patent No.:** **US D811,721 S**
(45) **Date of Patent:** **** Mar. 6, 2018**

- (54) **FOLDABLE WATER JUG**
- (71) Applicant: **Yanping Zheng**, Yongzhou (CN)
- (72) Inventor: **Yanping Zheng**, Yongzhou (CN)
- (73) Assignee: **Shenzhen YuanFengXingYe Science and Technology Co., Ltd.**, Shenzhen (CN)

D353,325 S *	12/1994	Chura	D9/521
D413,432 S *	9/1999	Much	D3/202
D417,339 S *	12/1999	Miller	D3/318
D443,980 S *	6/2001	Stewart	D3/202
D449,978 S *	11/2001	Viellard	D9/521
D560,905 S *	2/2008	Young	D3/202
D598,644 S *	8/2009	Solari	D3/202
D653,847 S *	2/2012	Seals	D3/202
D673,855 S *	1/2013	Burgeson	D9/522
D688,522 S *	8/2013	Pablo	D3/202
D783,268 S *	4/2017	Shelton	D28/91.1

(**) Term: **15 Years**

* cited by examiner

(21) Appl. No.: **29/586,479**

Primary Examiner — John Windmuller
Assistant Examiner — Benjamin M Weeks

(22) Filed: **Dec. 5, 2016**

(51) **LOC (11) Cl.** **09-02**

(52) **U.S. Cl.**
USPC **D3/202**

(57) **CLAIM**

The ornamental design for a foldable water jug, as shown.

- (58) **Field of Classification Search**
USPC D3/202; D9/521–523, 532, 544, 554,
D9/571, 572, 574, 575, 611, 673, 667,
D9/694, 763
CPC B65D 47/08; B65D 23/104; B65D 1/02;
A47J 27/21166
See application file for complete search history.

DESCRIPTION

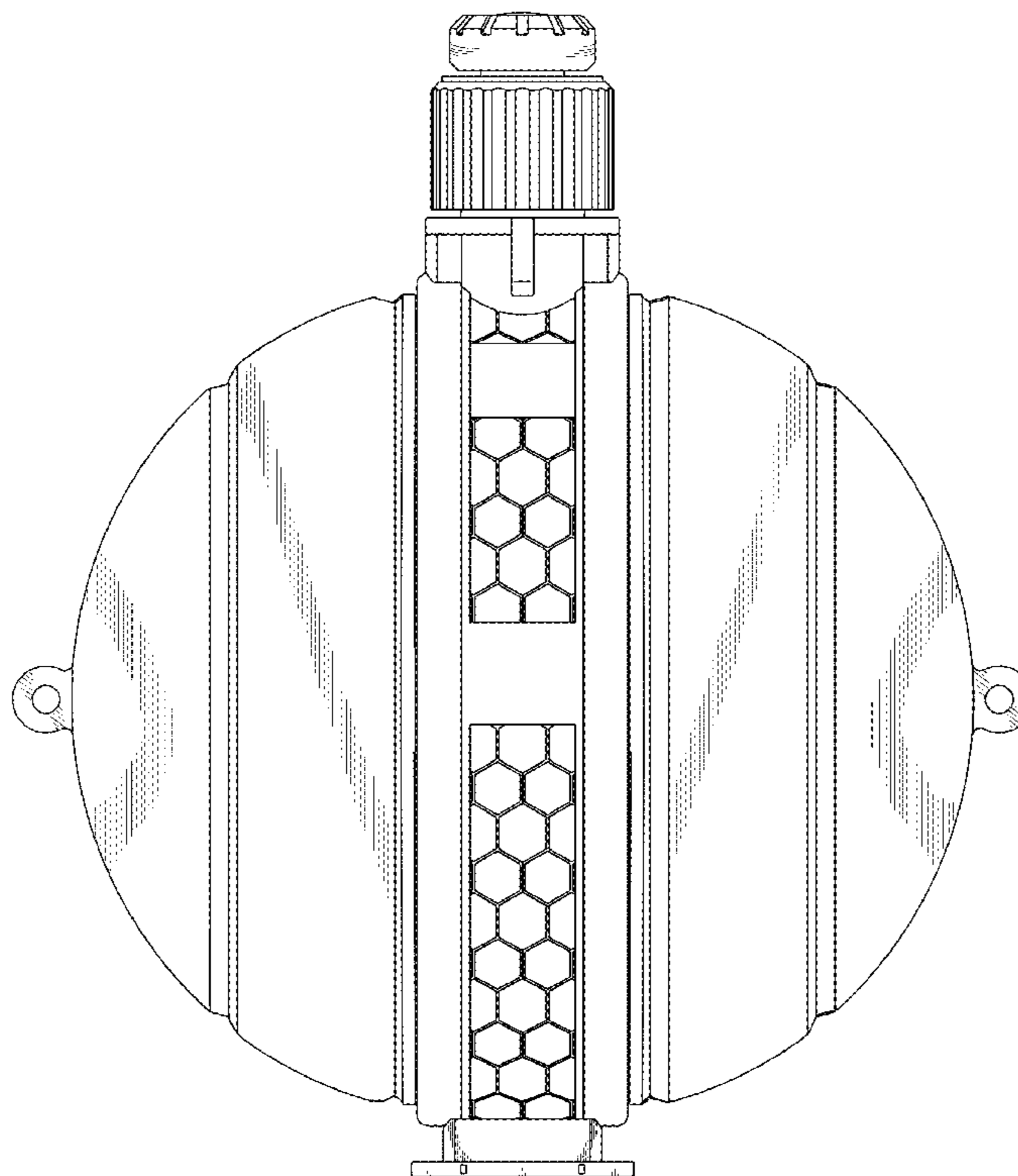
FIG. 1 is a front elevational view of a foldable water jug showing my new design;
 FIG. 2 is a rear elevational view thereof;
 FIG. 3 is a left side elevational view thereof;
 FIG. 4 is a right side elevational view thereof;
 FIG. 5 is a top plan view thereof;
 FIG. 6 is a bottom plan view thereof;
 FIG. 7 is a front perspective view thereof; and,
 FIG. 8 is a front perspective view thereof in a folded condition.

(56) **References Cited**

U.S. PATENT DOCUMENTS

D175,090 S *	7/1955	Newton	D24/194
D293,294 S *	12/1987	Fujiyama	D7/605
D308,128 S *	5/1990	Paquette	206/217
D316,814 S *	5/1991	Duffy	D3/202

1 Claim, 8 Drawing Sheets



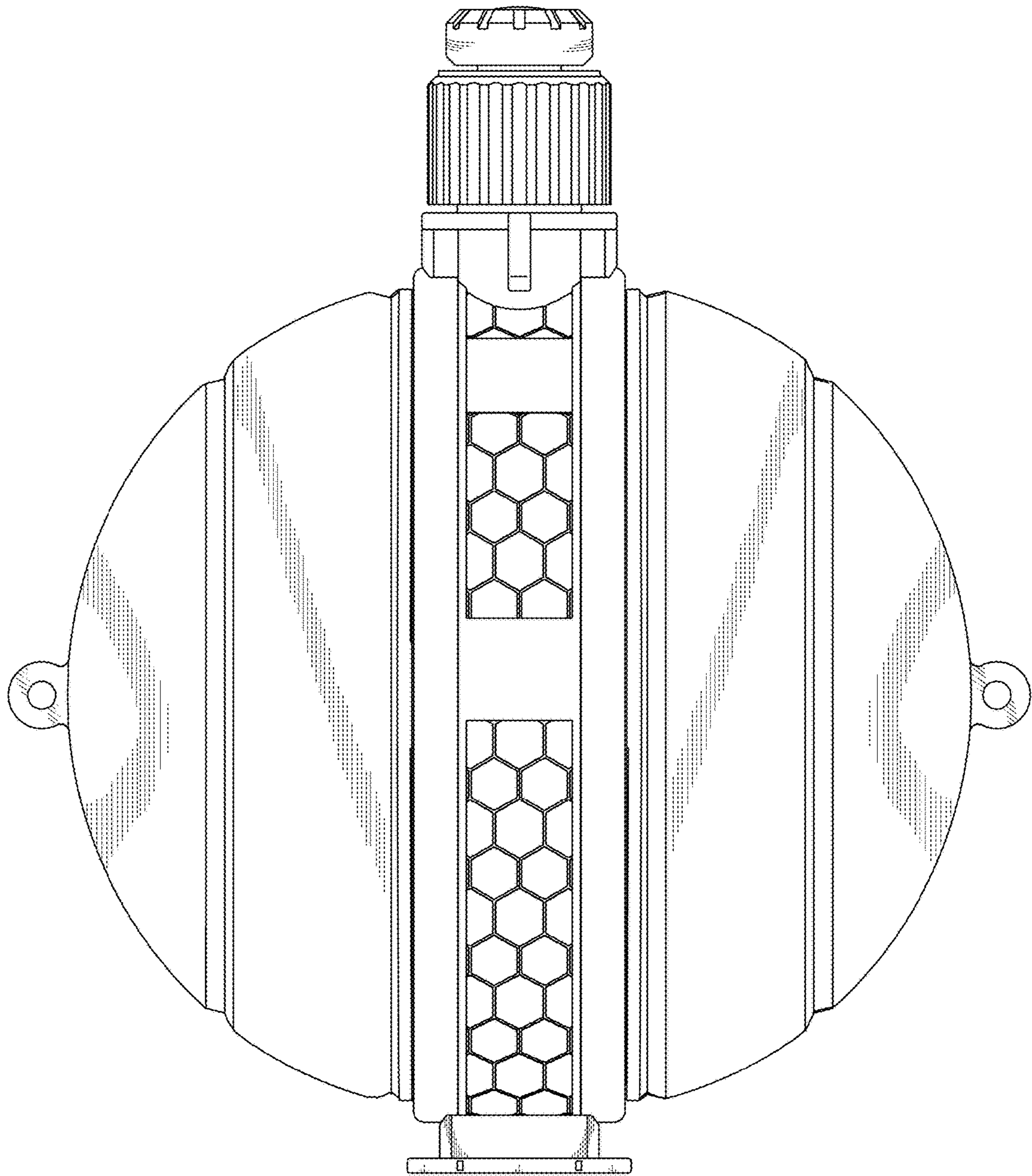


FIG.1

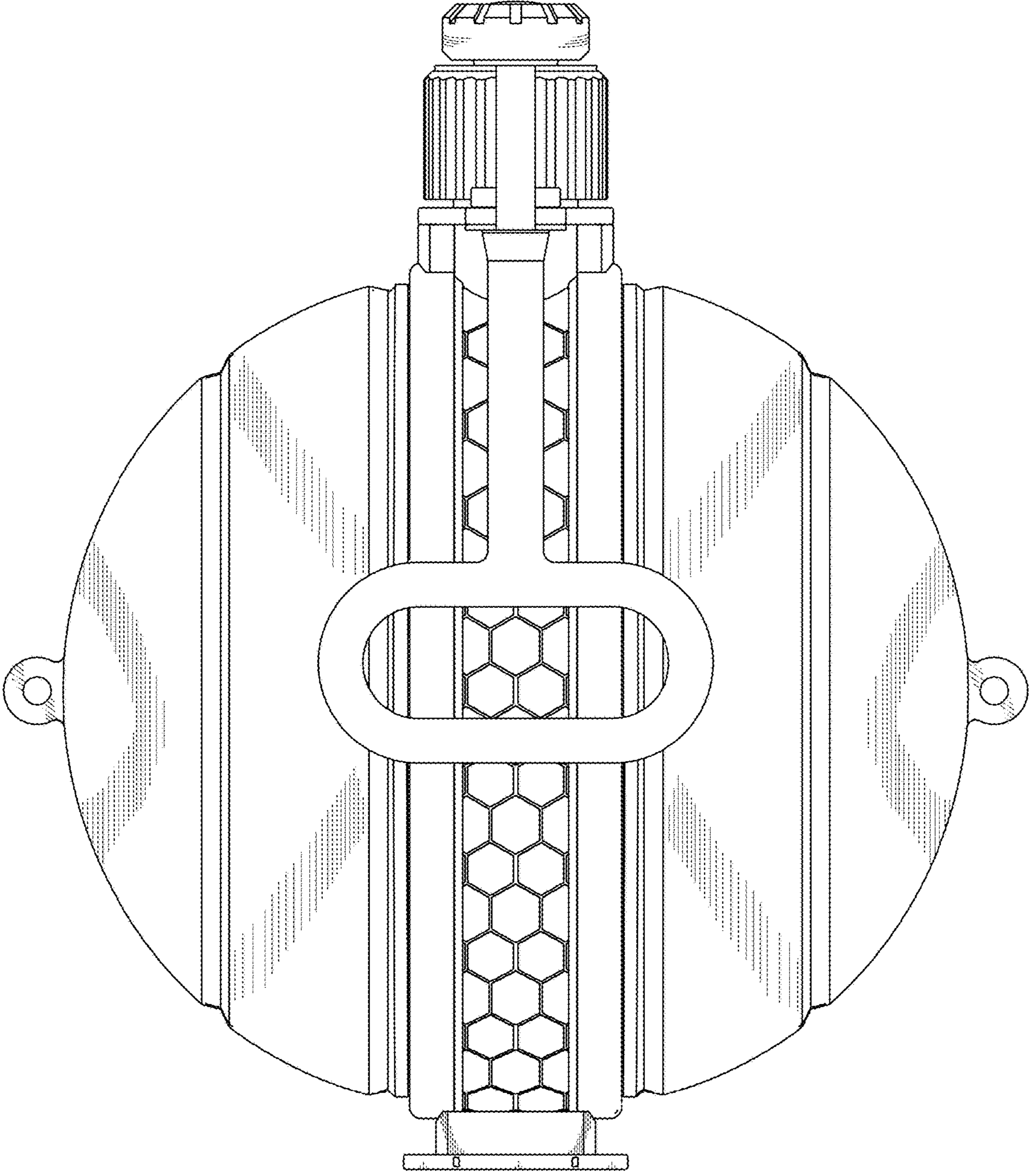


FIG.2

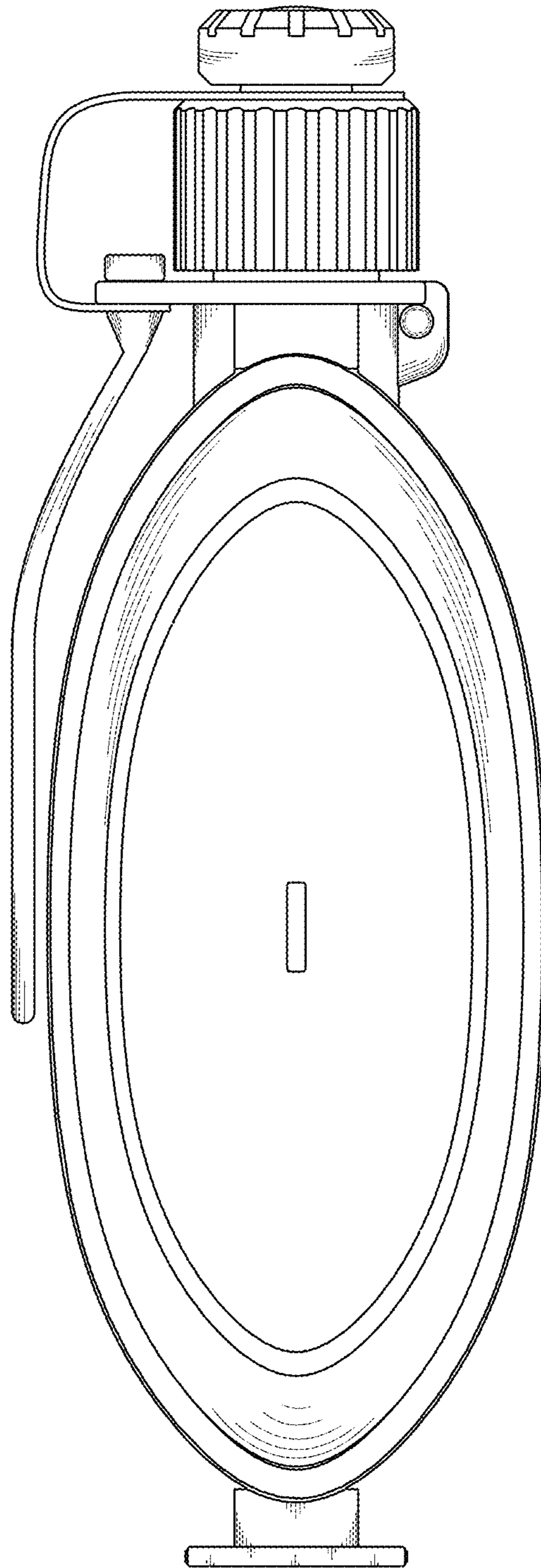


FIG.3

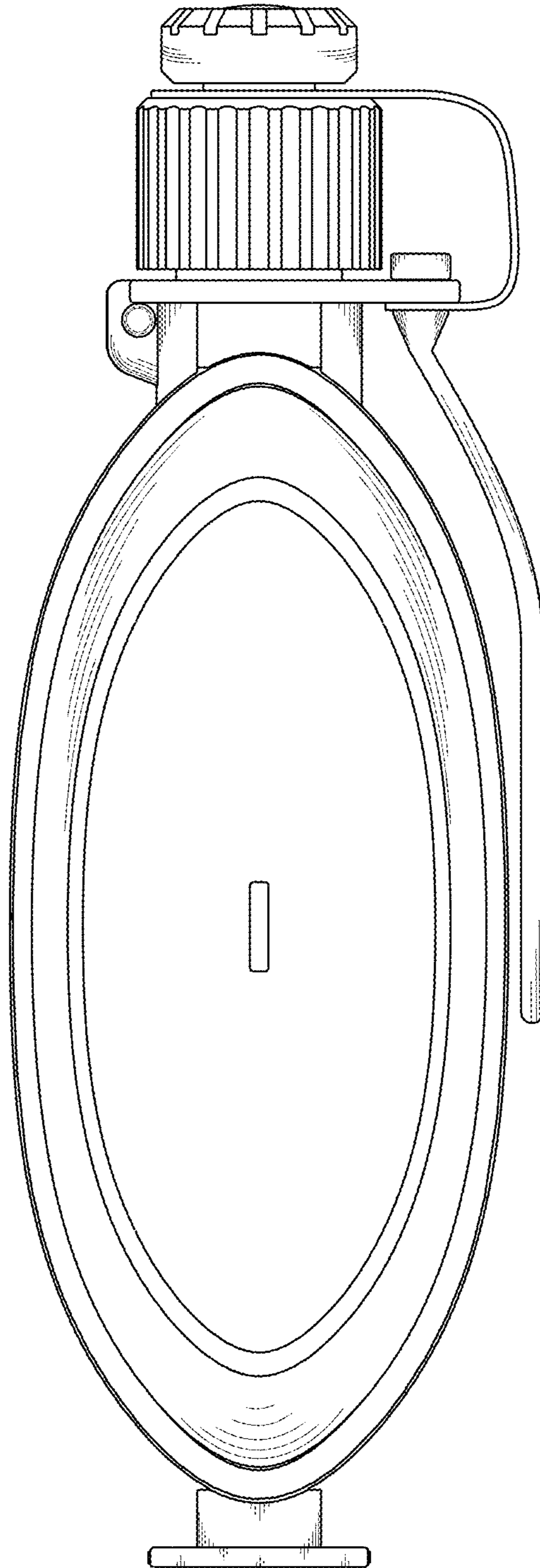


FIG.4

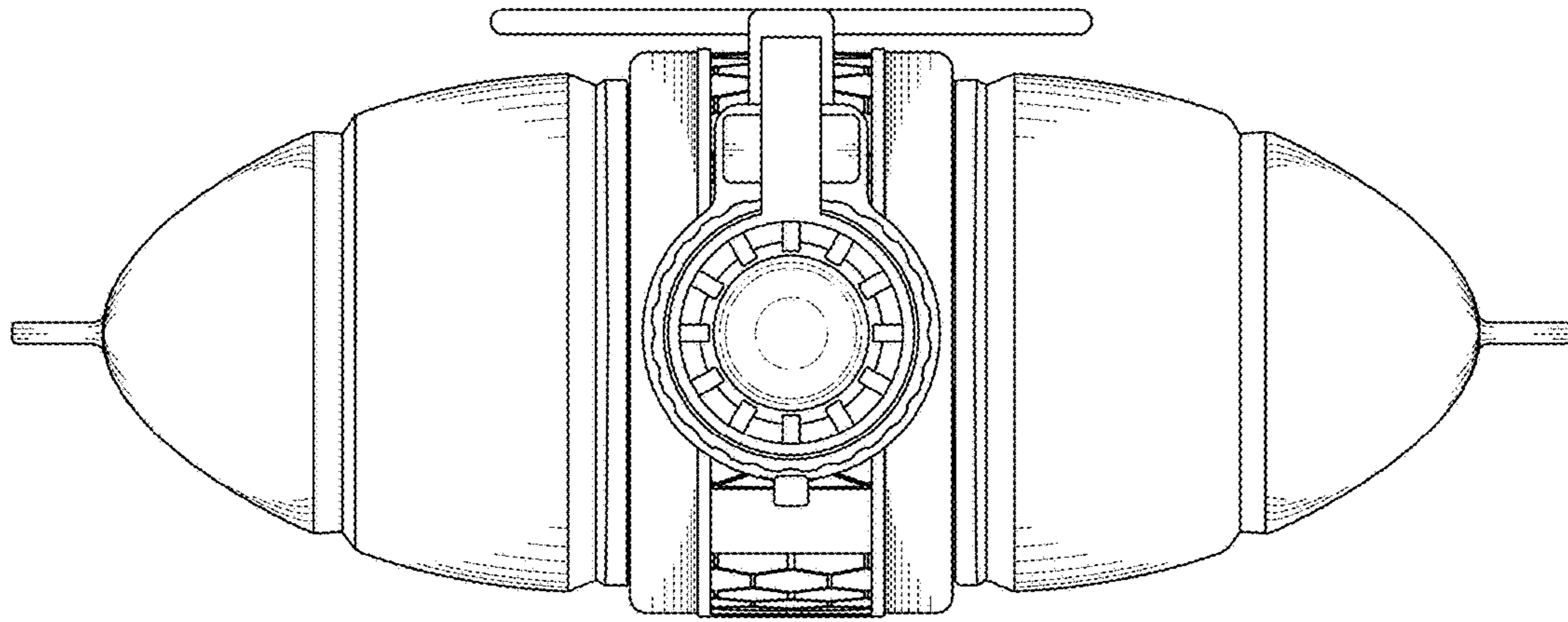


FIG.5

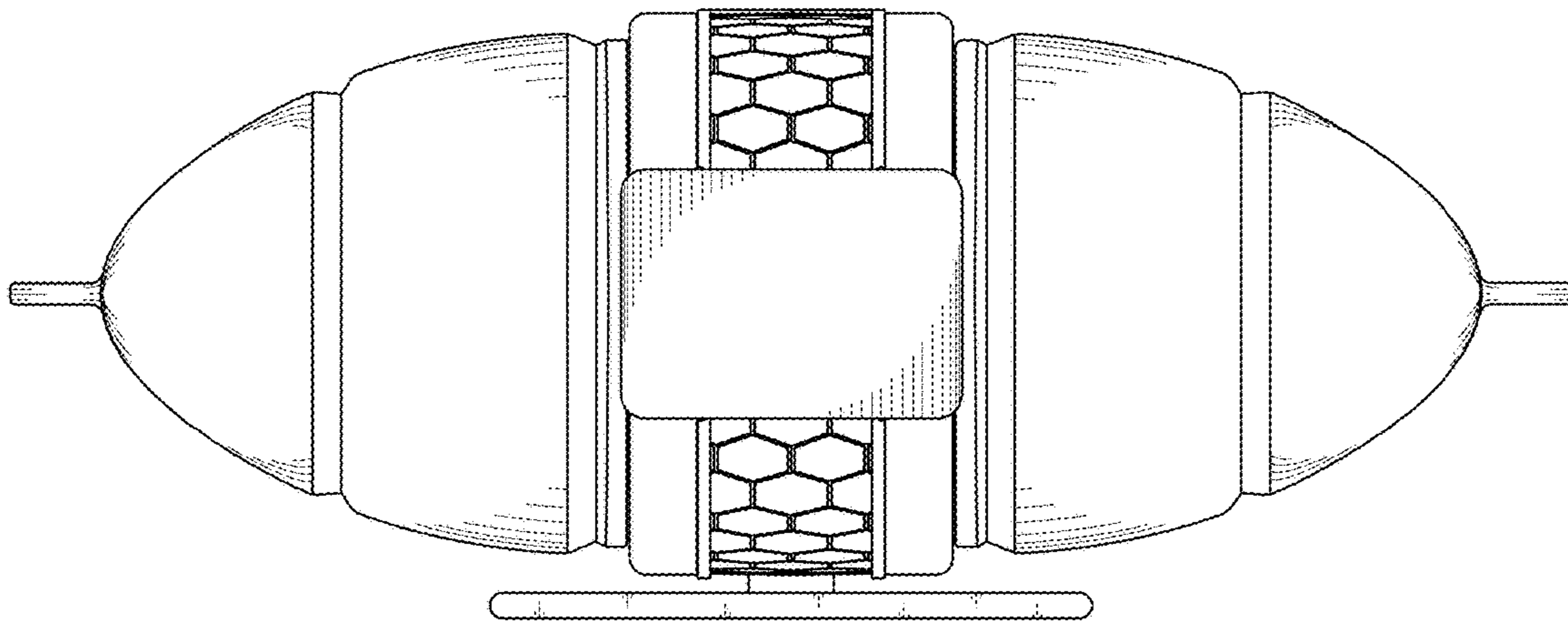


FIG.6

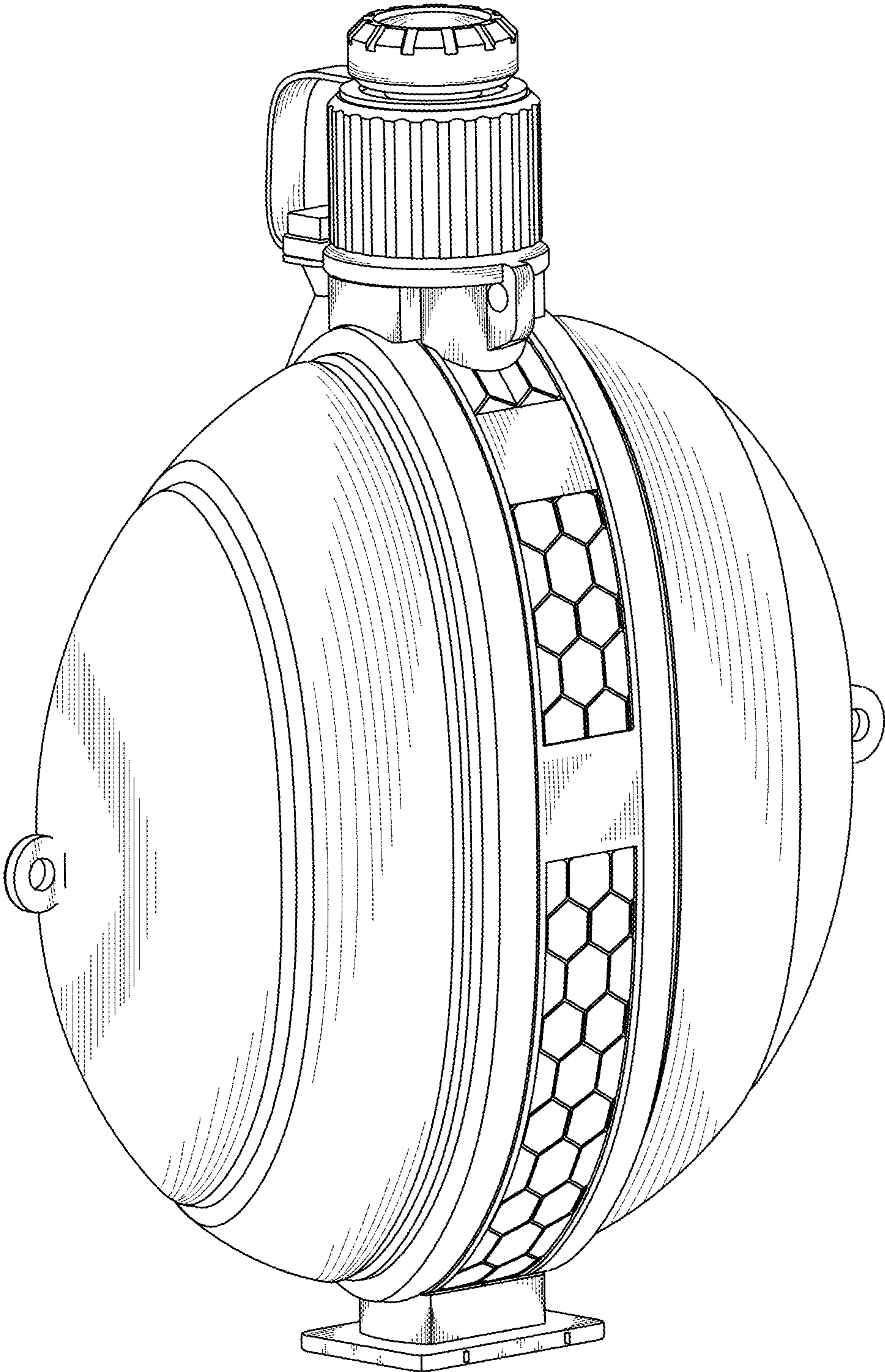


FIG.7

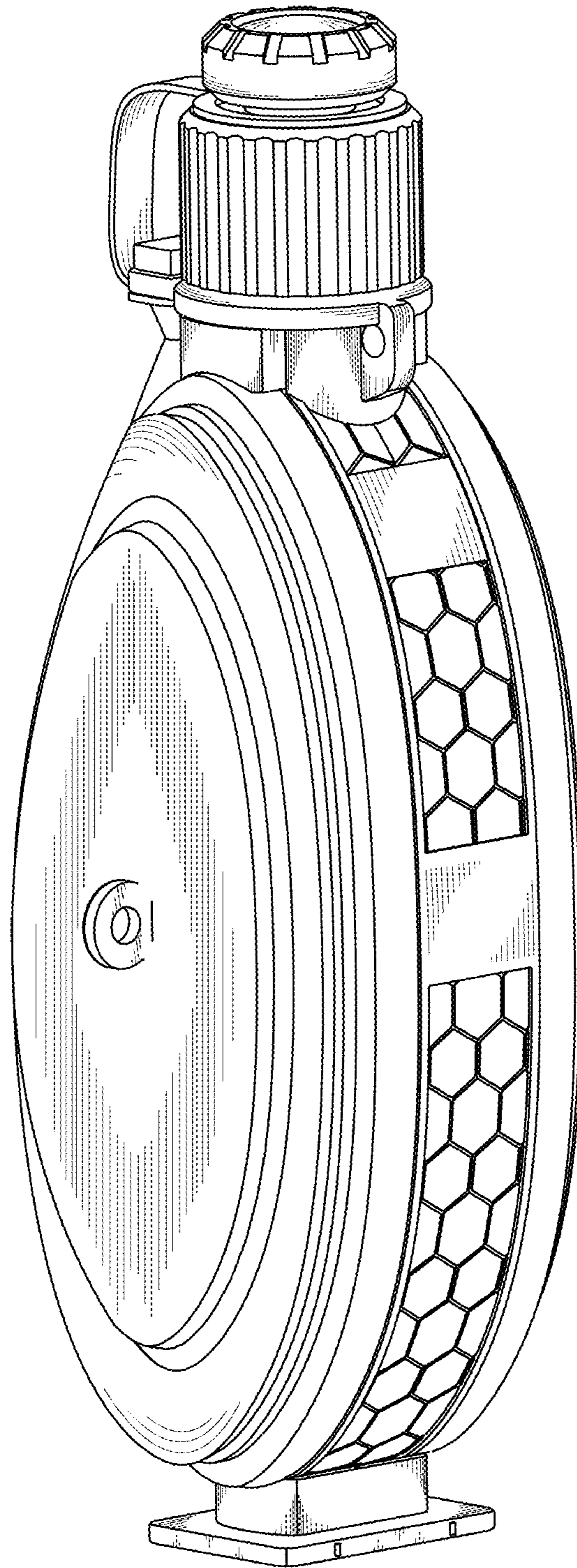


FIG.8