



US00D811719S

(12) **United States Design Patent** (10) **Patent No.:** **US D811,719 S**
Weng (45) **Date of Patent:** **** Mar. 6, 2018**

- (54) **UMBRELLA**
- (71) Applicant: **Ningbo Mentoriend International Trading Co., Ltd., Ningbo (CN)**
- (72) Inventor: **Johnson Weng, Ningbo (CN)**
- (73) Assignee: **NINGBO MENTORIEND INTERNATIONAL TRADING CO., LTD., Ningbo (CN)**
- (**) Term: **15 Years**
- (21) Appl. No.: **29/589,981**
- (22) Filed: **Jan. 5, 2017**

- D554,850 S * 11/2007 Acosta D3/5
- D559,528 S * 1/2008 Clarke D3/10
- D602,686 S * 10/2009 Patzak D3/10
- D609,453 S * 2/2010 Liu D3/5
- D612,146 S * 3/2010 Clarke D3/5
- D621,600 S * 8/2010 He D3/5
- D629,603 S * 12/2010 Liu D3/5
- D638,622 S * 5/2011 He D3/5
- 7,958,901 B2 * 6/2011 Lai A45B 17/00
135/20.3
- 8,104,492 B2 * 1/2012 Dan A45B 23/00
135/20.3
- D653,845 S * 2/2012 Li D3/5
- RE43,303 E * 4/2012 Browne D3/5
- RE43,484 E * 6/2012 Browne D3/5
- D668,036 S * 10/2012 Veenbos D3/5
- D684,353 S * 6/2013 Grohs E04F 11/181
D3/5
- D685,539 S * 7/2013 McPherson D3/5
- 8,807,513 B2 * 8/2014 Volin A45B 23/00
135/16
- D746,041 S * 12/2015 Lin D3/5

Related U.S. Application Data

- (63) Continuation-in-part of application No. 29/560,778, filed on Apr. 11, 2016, now abandoned, which is a continuation-in-part of application No. 29/516,555, filed on Feb. 3, 2015, now abandoned.
- (51) **LOC (11) Cl.** **03-03**
- (52) **U.S. Cl.**
USPC **D3/5**
- (58) **Field of Classification Search**
USPC D3/5, 6, 10, 13, 14, 16
CPC ... A45B 11/00; A45B 3/00; A45B 2200/1009;
A45B 25/02; A45B 25/18; A45B 19/04
See application file for complete search history.

References Cited

U.S. PATENT DOCUMENTS

- D398,443 S * 9/1998 Bolle D3/5
- D434,556 S * 12/2000 Lin D3/6
- D459,871 S * 7/2002 Persson D3/5
- D477,458 S * 7/2003 Goldwitz D3/10
- D491,720 S * 6/2004 Clarke D3/5
- D497,479 S * 10/2004 Yu D3/5
- D516,294 S * 3/2006 Olson D3/5

Primary Examiner — John Windmuller
Assistant Examiner — Steven Czyz
 (74) *Attorney, Agent, or Firm* — Matthias Scholl, PC;
 Matthias Scholl

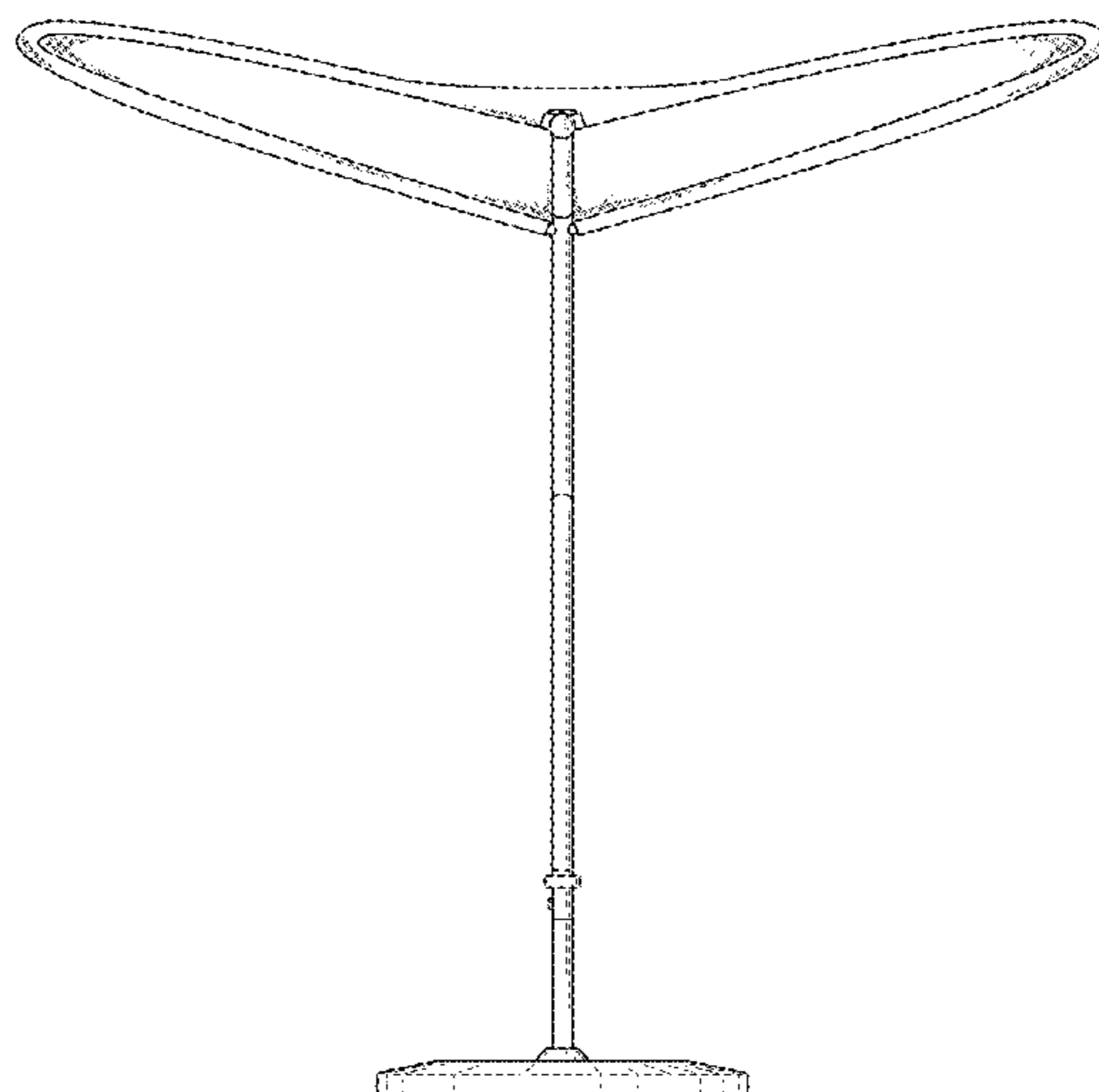
(57) **CLAIM**

The ornamental design for an umbrella, as shown and described.

DESCRIPTION

FIG. 1 is a front elevation view of an umbrella;
 FIG. 2 is a rear elevation view thereof;
 FIG. 3 is a left side elevation view thereof;
 FIG. 4 is a right side elevation view thereof;
 FIG. 5 is a top plan view thereof;
 FIG. 6 is a bottom plan view thereof; and,
 FIG. 7 is a perspective view thereof.

1 Claim, 7 Drawing Sheets



(56)

References Cited

U.S. PATENT DOCUMENTS

D755,445	S *	5/2016	Iiams	D3/5
D759,367	S *	6/2016	Zaccaro	D3/5
D767,322	S *	9/2016	Bruce	D3/5
D791,467	S *	7/2017	Neuman	D3/5
2001/0040208	A1 *	11/2001	Li	A45B 23/00 248/519
2004/0177871	A1 *	9/2004	Harbaugh	A45B 19/10 135/20.1
2010/0206346	A1 *	8/2010	Tung	A45B 23/00 135/20.1
2013/0146739	A1 *	6/2013	Zhao	E04H 12/2246 248/519

* cited by examiner

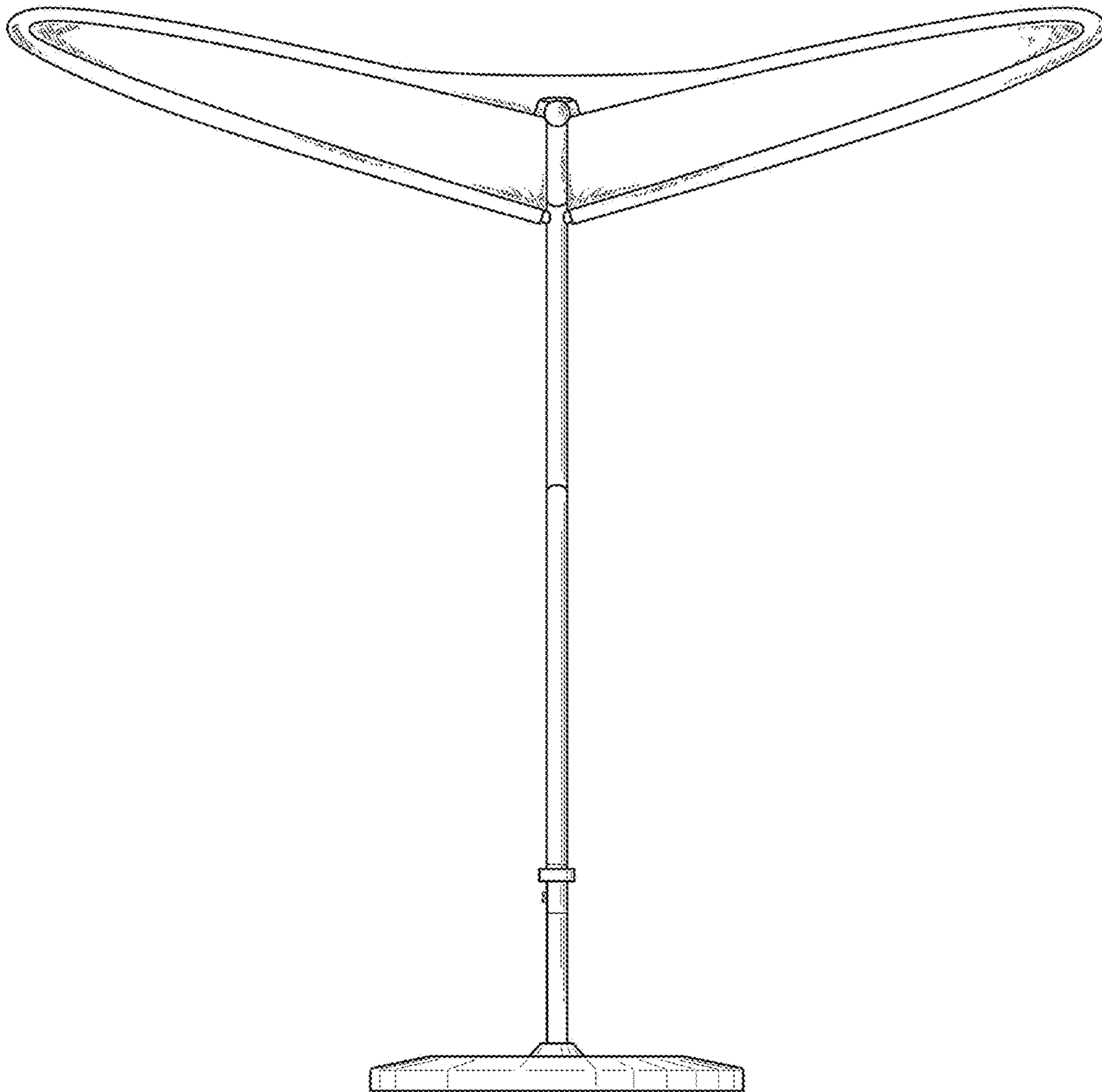


FIG. 1



FIG. 2

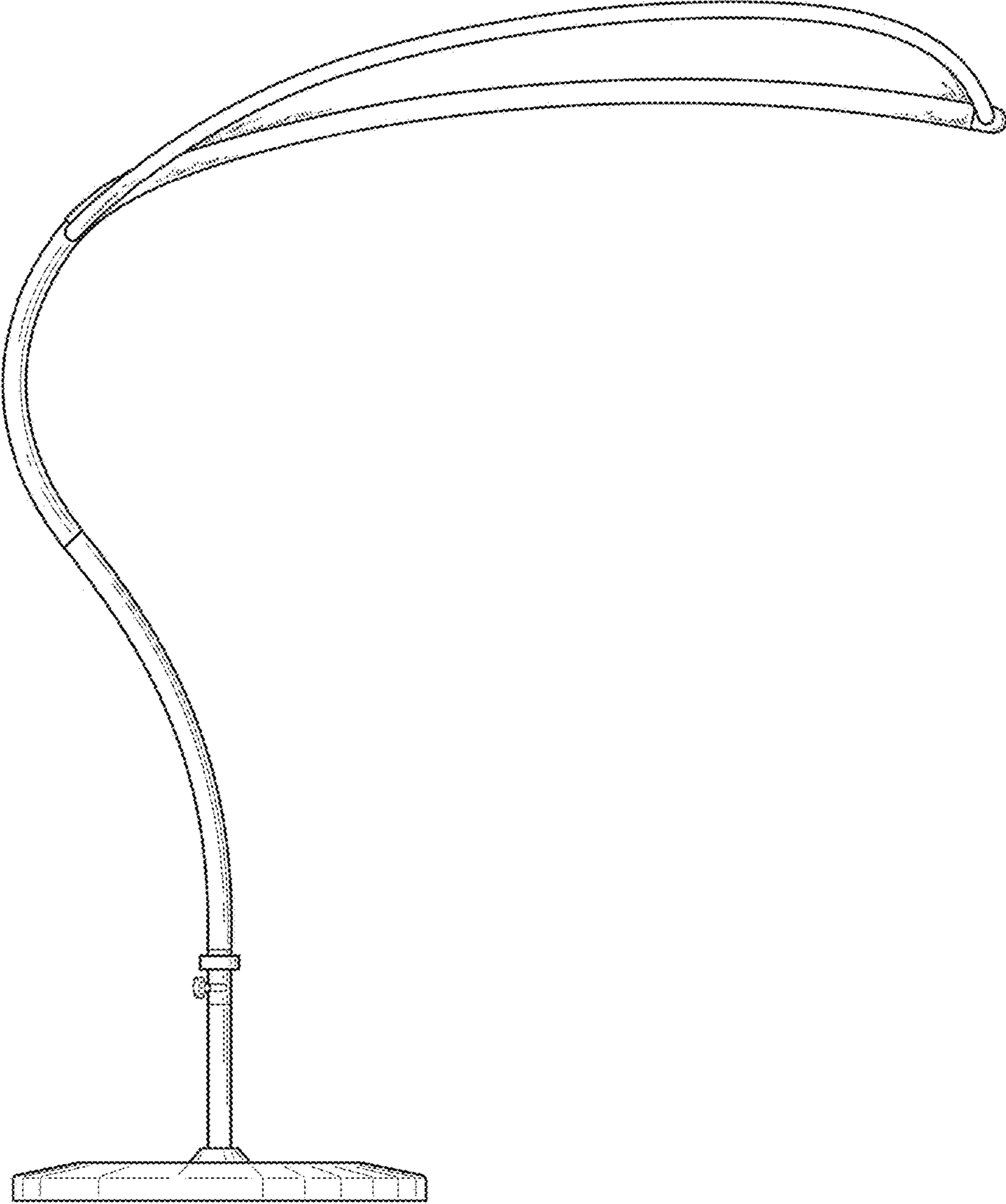


FIG. 3

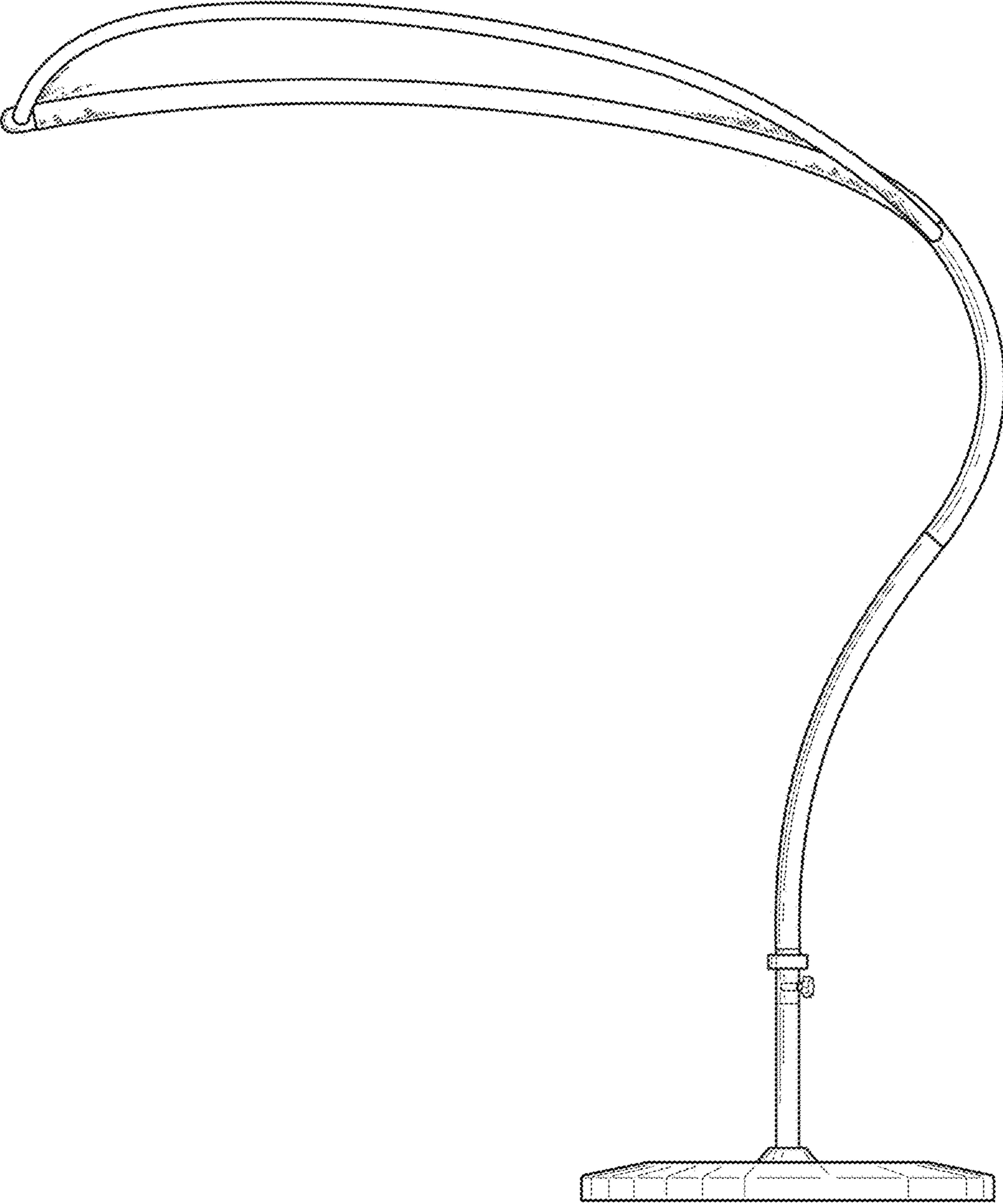


FIG. 4

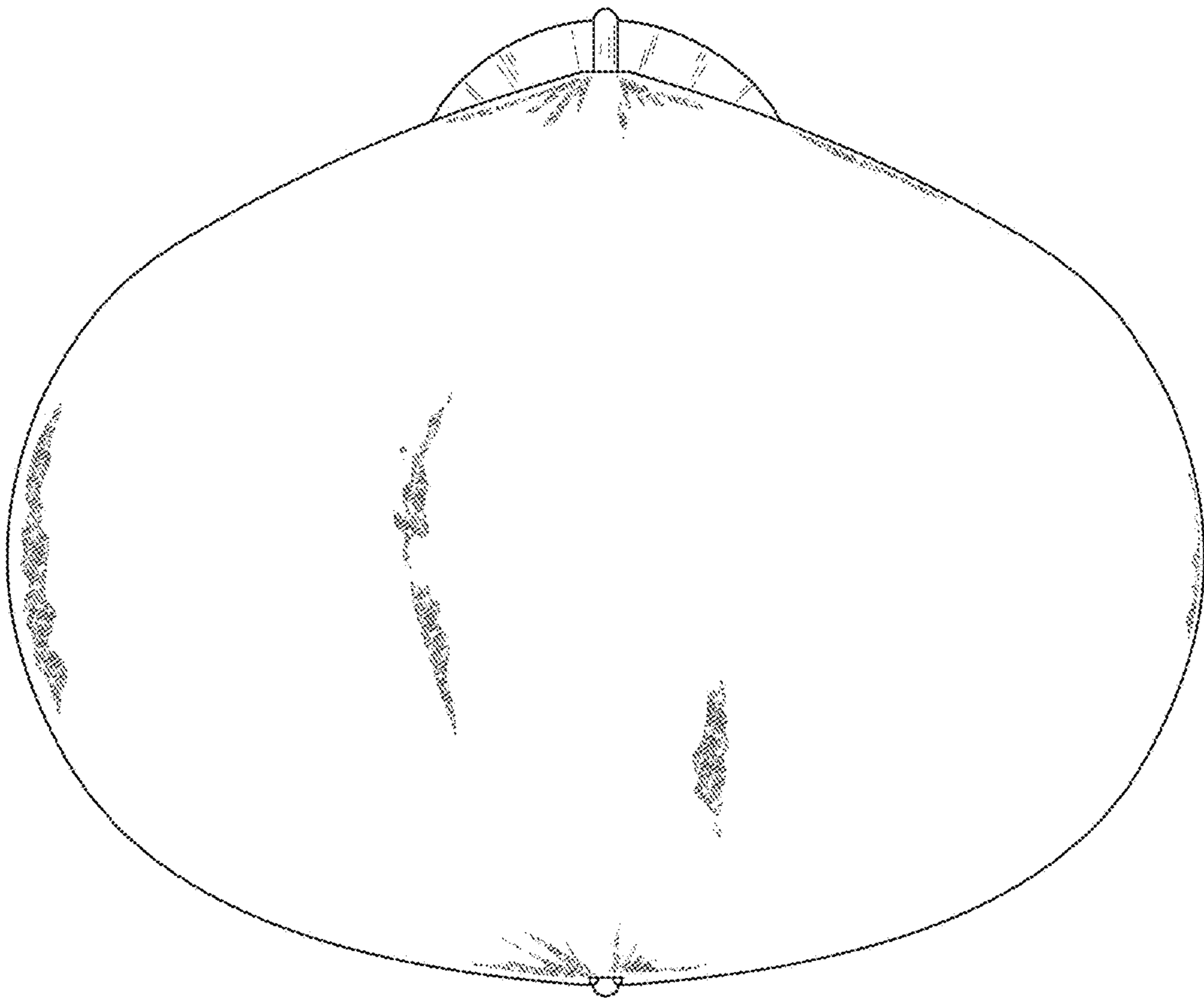


FIG. 5

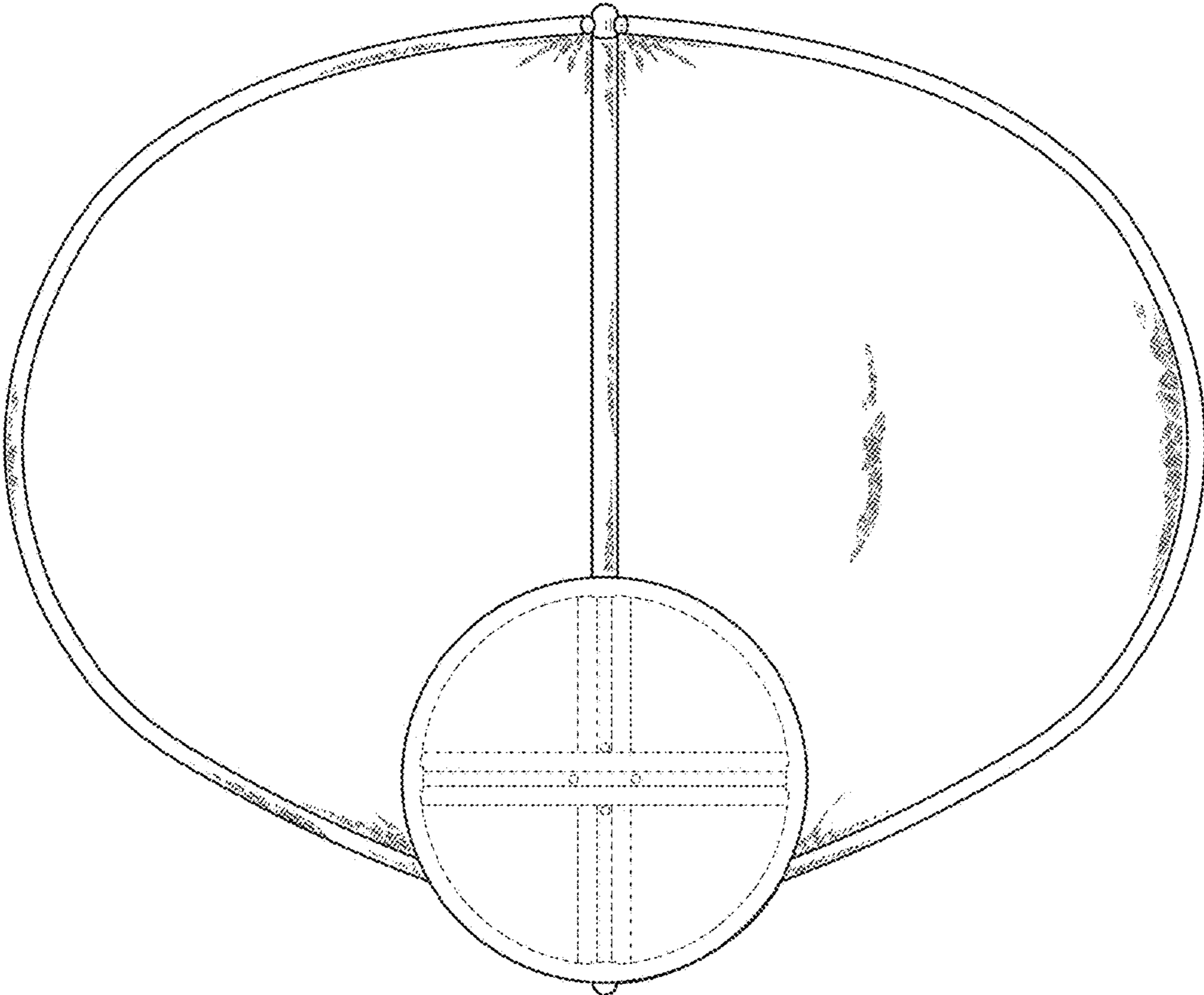


FIG. 6

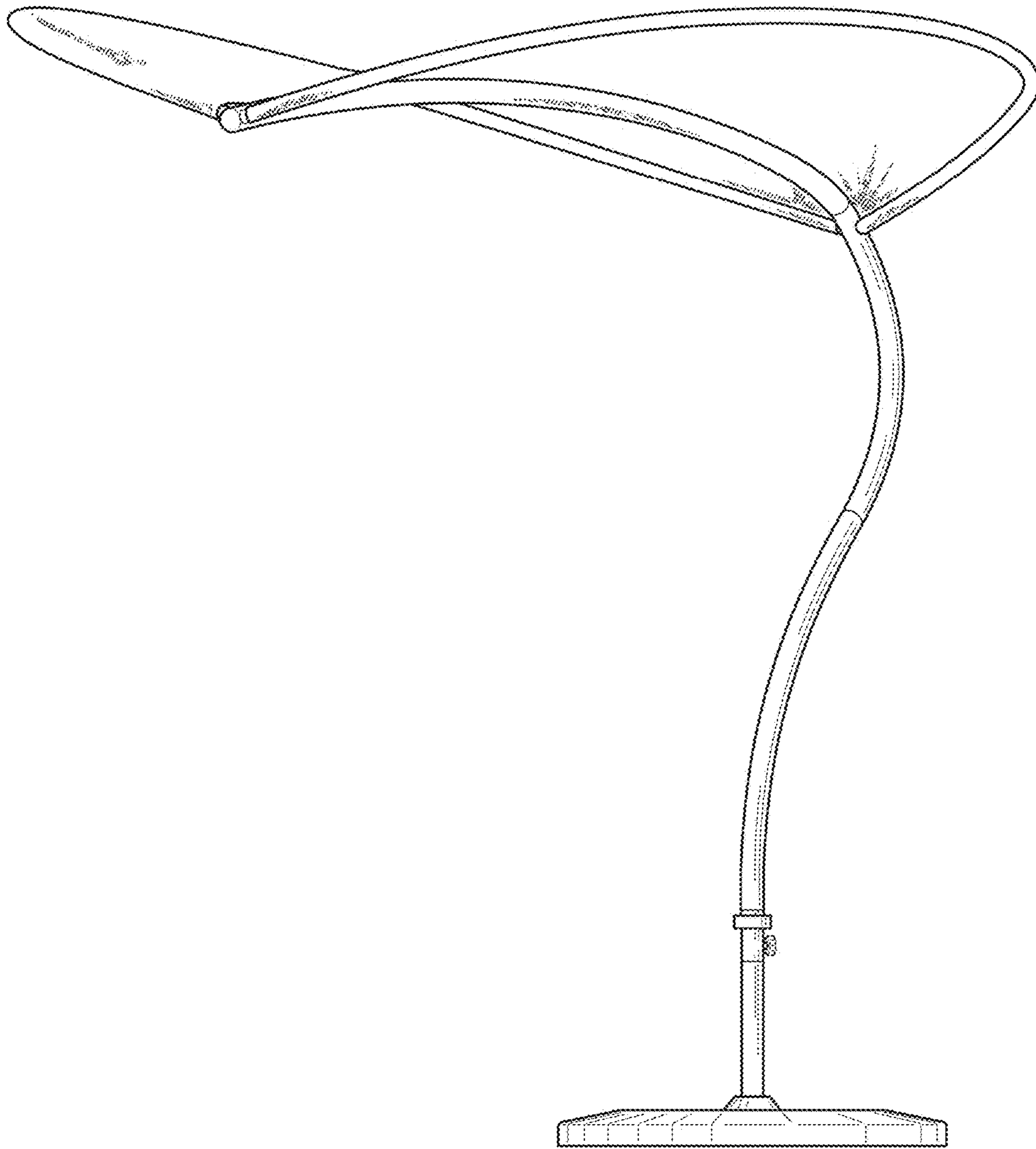


FIG. 7