



US00D811718S

(12) **United States Design Patent**
Young

(10) **Patent No.:** **US D811,718 S**
(45) **Date of Patent:** **** Mar. 6, 2018**

(54) **SHOE UPPER**

D790,206 S * 6/2017 O'Connor D2/973
D798,568 S * 10/2017 Klein D2/972
D799,192 S * 10/2017 Greenspan D2/973

(71) Applicant: **NIKE, Inc.**, Beaverton, OR (US)

(72) Inventor: **William D. Young**, Beaverton, OR (US)

(73) Assignee: **NIKE, Inc.**, Beaverton, OR (US)

(**) Term: **15 Years**

(21) Appl. No.: **29/584,683**

(22) Filed: **Nov. 16, 2016**

(51) **LOC (11) Cl.** **02-04**

(52) **U.S. Cl.**
USPC **D2/973**

(58) **Field of Classification Search**
USPC D2/973, 975, 969, 902, 906-908, 944,
D2/946, 972, 974
CPC ... A43B 13/181; A43B 13/141; A43B 13/186;
A43B 13/188; A43B 23/00; A43B 23/02;
A43B 5/00; A43B 23/26; A43B 1/04;
A43B 7/00

See application file for complete search history.

(56) **References Cited**

U.S. PATENT DOCUMENTS

D718,040 S * 11/2014 Miner D2/973
D762,965 S * 8/2016 Miner D2/973
D762,966 S * 8/2016 Miner D2/973
D778,587 S * 2/2017 Lee D2/973
D778,588 S * 2/2017 Lee D2/973
D780,433 S * 3/2017 Greenspan D2/973
D781,564 S * 3/2017 Lee D2/973
D782,804 S * 4/2017 Kanata D2/972

OTHER PUBLICATIONS

Run Swift posted by Nike posted review date Jun. 30, 2017, © Zappos, [online], <https://www.zappos.com/p/nike-run-swift-black-white-dark-grey/product/8873549/color/153430> (Year: 2017).*

* cited by examiner

Primary Examiner — Cynthia Ramirez

Assistant Examiner — Laura H Yu

(74) *Attorney, Agent, or Firm* — Shook, Hardy and Bacon L.L.P.

(57) **CLAIM**

The ornamental design for a shoe upper, as shown and described.

DESCRIPTION

FIG. 1 is a front lateral side perspective view of a shoe upper showing my new design;

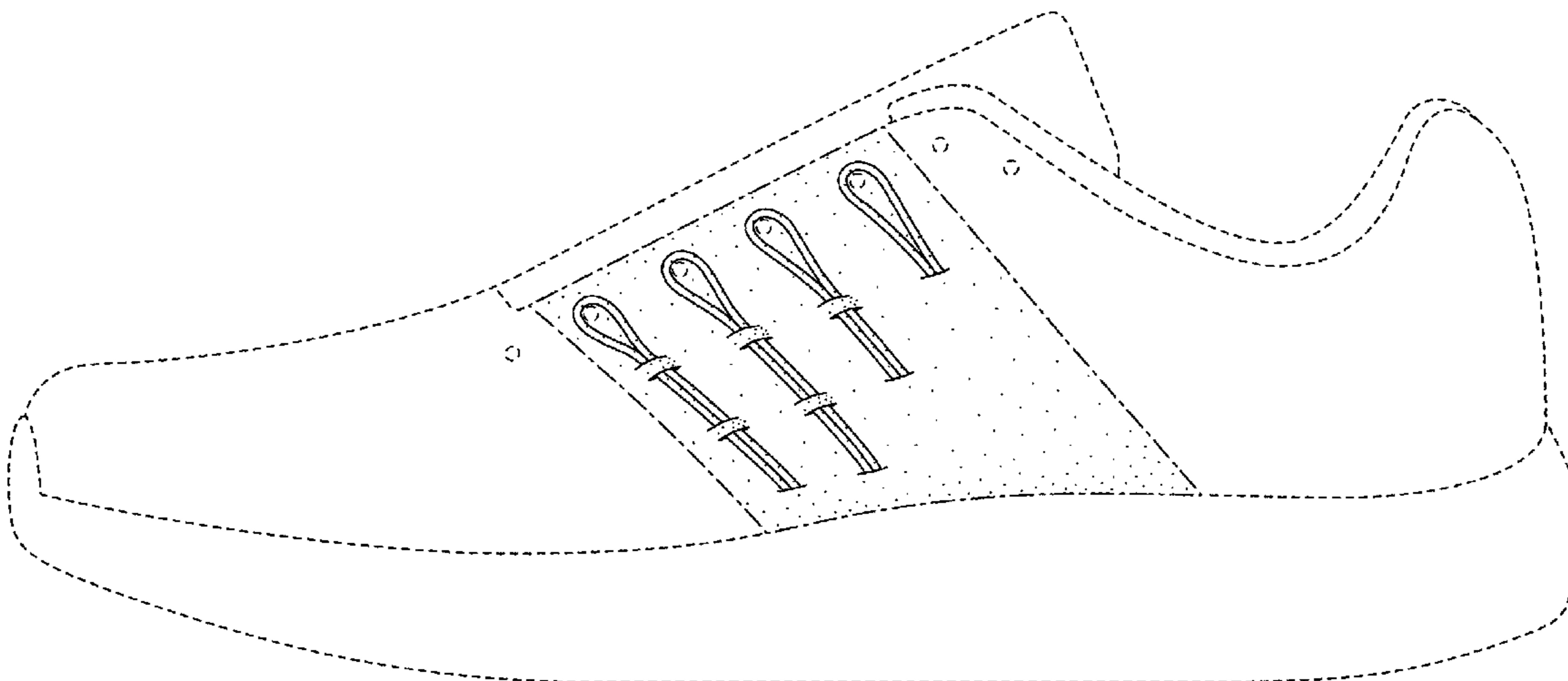
FIG. 2 is a lateral side view thereof; and,

FIG. 3 is a rear lateral side perspective view thereof.

The long and short broken lines are boundary lines, which define the bounds of the claimed design. These boundaries do not exist in reality in the article embodying the design. It is understood that the claimed design extends to these boundaries but does not include the boundaries.

The evenly-spaced broken lines shown in the drawings are directed to environment, are for informational purposes only, and form no part of the claimed design.

1 Claim, 3 Drawing Sheets



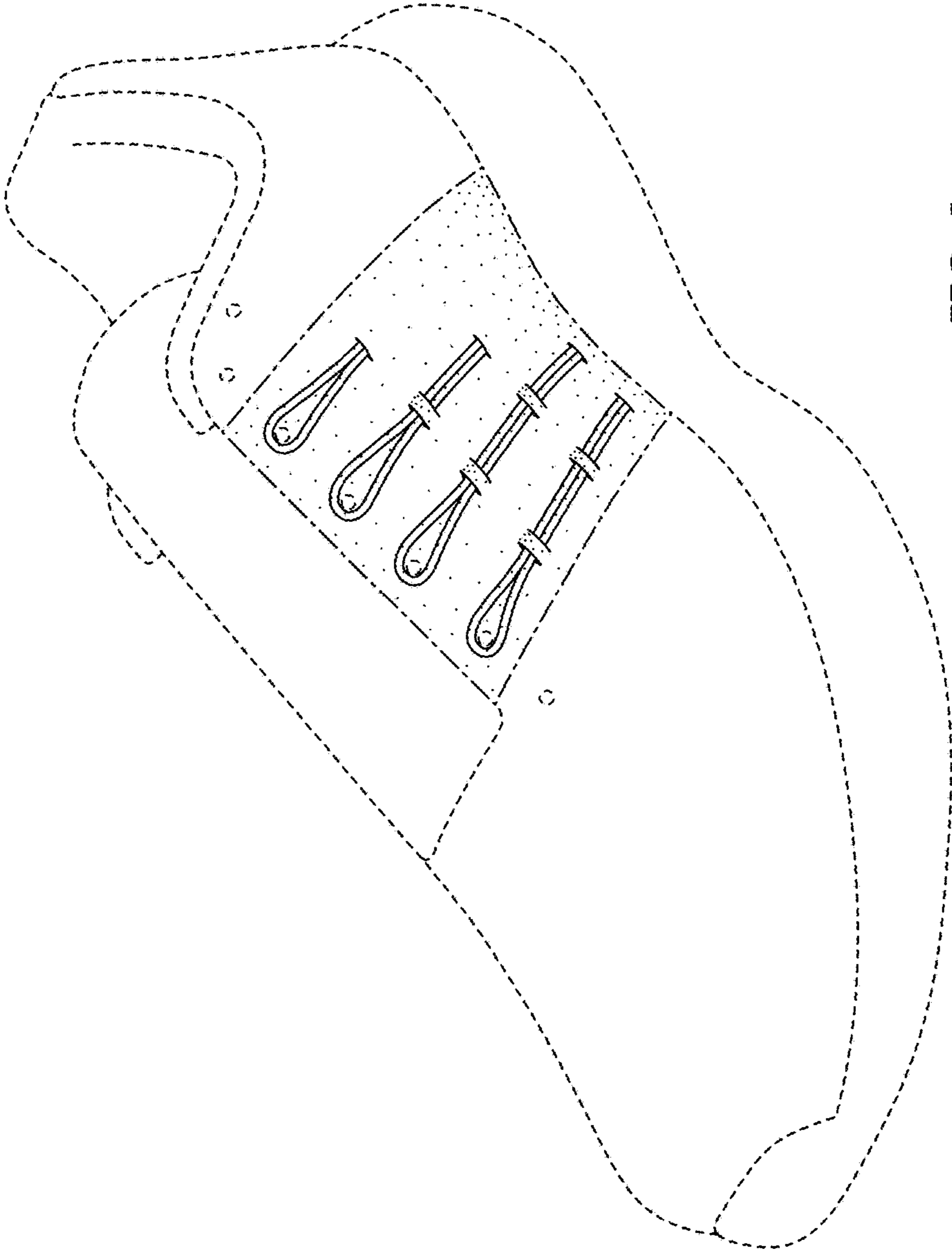


FIG. 1

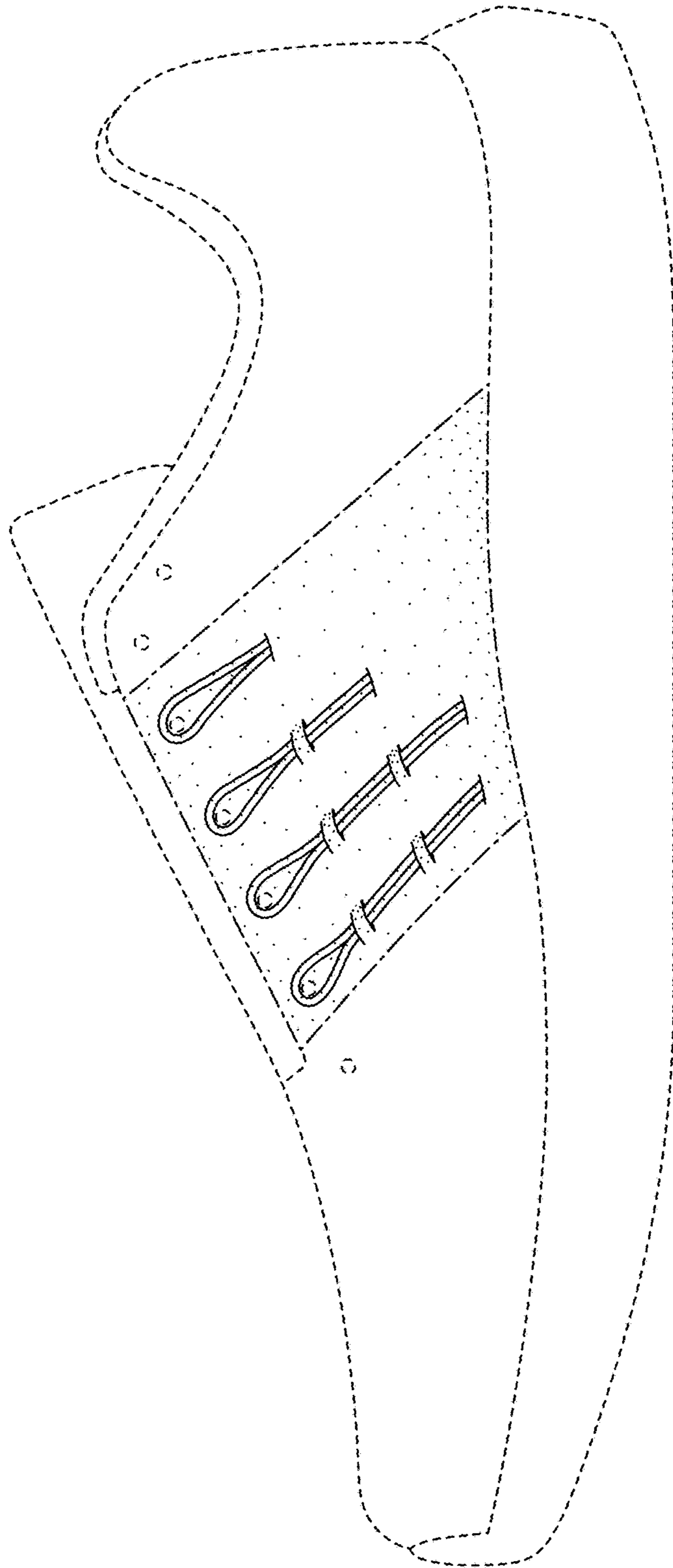


FIG. 2

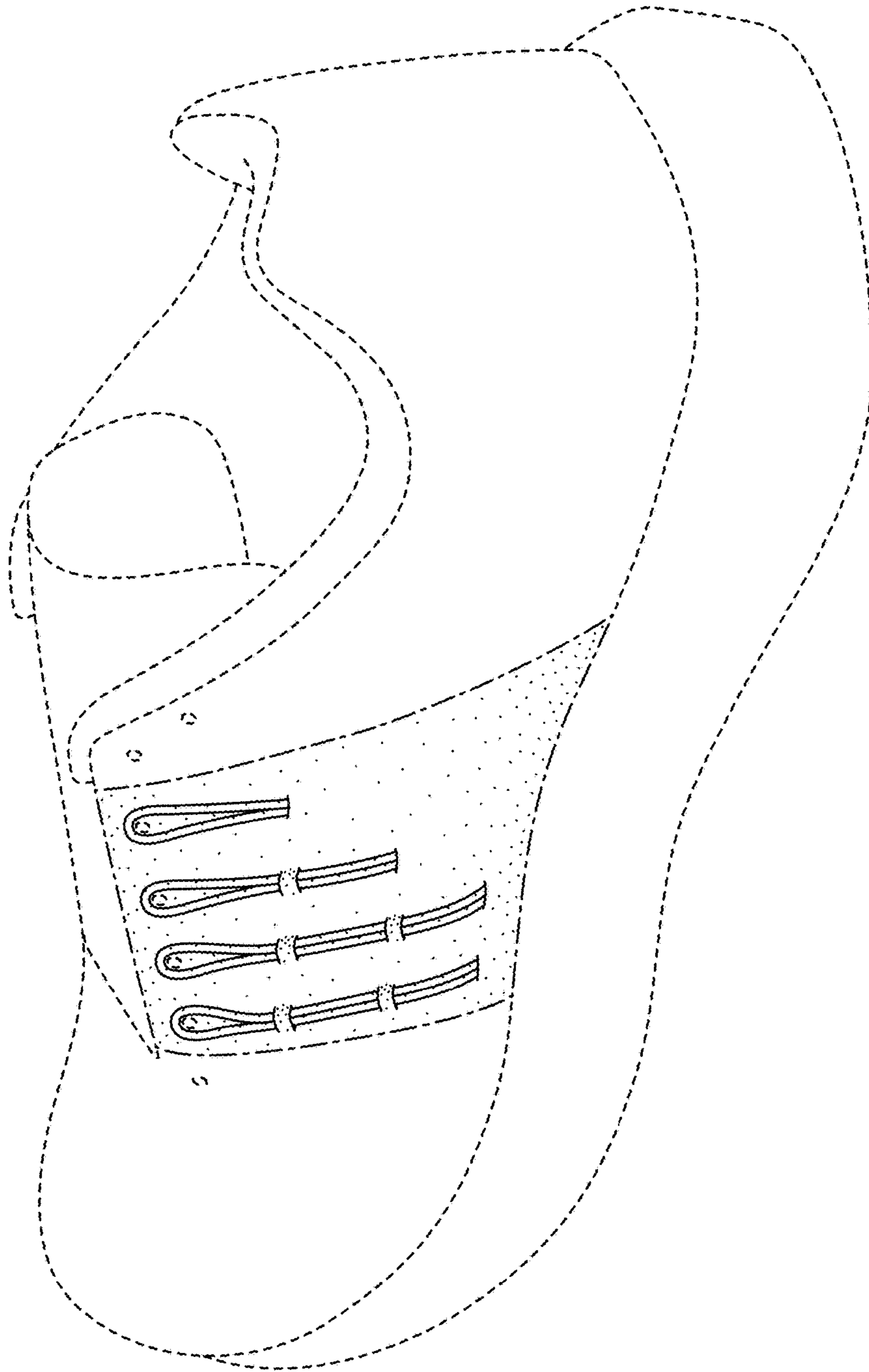


FIG. 3