



US00D811689S

(12) **United States Design Patent** (10) **Patent No.:** **US D811,689 S**  
**Osiecki et al.** (45) **Date of Patent:** **\*\* Feb. 27, 2018**

- (54) **ESCUTCHEON PLATE FOR A SAFE**
- (71) Applicant: **Sentry Safe, Inc.**, Deerfield, IL (US)
- (72) Inventors: **Scott W. Osiecki**, Skaneateles, NY (US); **Jonathan Fitch**, Skaneateles, NY (US)
- (73) Assignee: **SENTRY SAFE, INC.**, Deerfield, IL (US)
- (\*\*) Term: **15 Years**
- (21) Appl. No.: **29/566,139**
- (22) Filed: **May 27, 2016**

- D453,899 S \* 2/2002 LaPlume ..... D8/352
- D513,469 S \* 1/2006 Gao ..... D8/350
- D514,430 S 2/2006 Osiecki
- D527,615 S 9/2006 Osiecki
- D571,525 S 6/2008 Osiecki
- D578,866 S \* 10/2008 Kim ..... D8/350
- D634,182 S 3/2011 Kang
- D634,183 S 3/2011 Kang
- D693,776 S 11/2013 Mostert
- D699,096 S 2/2014 Chan
- D714,515 S 9/2014 Measom
- D715,015 S 10/2014 Measom
- D736,596 S \* 8/2015 Warmenhoven ..... D8/350
- D737,657 S 9/2015 Nadgouda
- D738,186 S 9/2015 Nadgouda
- D752,416 S \* 3/2016 Holder ..... D8/350
- D755,605 S \* 5/2016 Kraus ..... D8/331
- D756,196 S \* 5/2016 Huang ..... D8/330
- D758,040 S 5/2016 Osiecki et al.
- D761,082 S \* 7/2016 Lu ..... D8/331

**Related U.S. Application Data**

- (62) Division of application No. 29/503,238, filed on Sep. 24, 2014, now Pat. No. Des. 758,040.
- (51) **LOC (11) Cl.** ..... **99-00**
- (52) **U.S. Cl.**  
USPC ..... **D99/43**
- (58) **Field of Classification Search**  
USPC .... D99/28, 34, 35, 36, 43, 99; D8/300, 301, D8/302, 303, 307, 308, 315, 321, 330, D8/331, 343, 349, 350, 353; 70/192, 70/489; 109/1 R, 1 V, 2, 59 R, 64  
CPC ..... E05B 65/0075; E05B 65/0078; E05B 65/0888; E05G 1/00; E05G 1/005; E05G 1/04; E05G 2700/00; E05G 2700/02  
See application file for complete search history.

(56) **References Cited**  
U.S. PATENT DOCUMENTS

- D84,387 S 6/1931 Wolters
- D85,359 S 10/1931 Wolters
- D166,499 S 4/1952 Rutan
- 5,841,361 A 11/1998 Hoffman

(Continued)

*Primary Examiner* — Elizabeth J Oswecki  
(74) *Attorney, Agent, or Firm* — Calfee, Halter & Griswold LLP

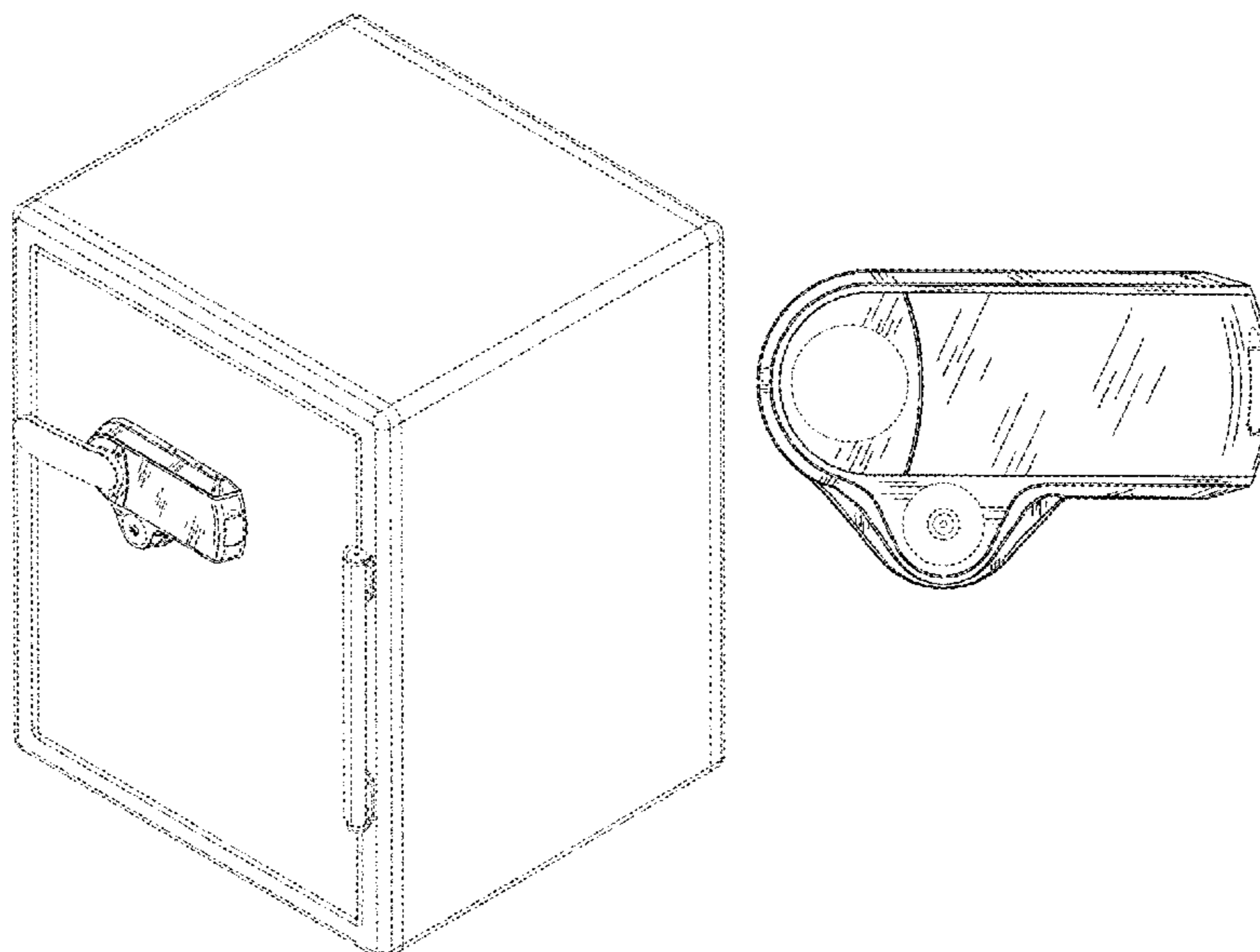
(57) **CLAIM**

The ornamental design for an escutcheon plate for a safe, as shown and described.

**DESCRIPTION**

FIG. 1 is a front perspective view of an escutcheon plate for a safe showing our new design;  
FIG. 2 is a front view thereof;  
FIG. 3 is a right side view thereof;  
FIG. 4 is a left side view thereof;  
FIG. 5 is top view thereof; and,  
FIG. 6 is a bottom view thereof.  
The portions of the drawings shown in broken line form no part of the claimed design.  
All surfaces not shown form no part of the claimed design.

**1 Claim, 6 Drawing Sheets**



(56)

**References Cited**

U.S. PATENT DOCUMENTS

D767,365	S *	9/2016	Yu .....	D8/330
D778,138	S *	2/2017	Meyerhoffer .....	D8/334
D782,284	S *	3/2017	Chiang .....	D8/331
D790,319	S *	6/2017	Schneider .....	D8/331
9,670,696	B2 *	6/2017	Chong .....	G07C 9/00174
D790,950	S *	7/2017	Kraus .....	D8/330
D791,569	S *	7/2017	Chen .....	D8/331
2004/0205936	A1	10/2004	Denys	

\* cited by examiner

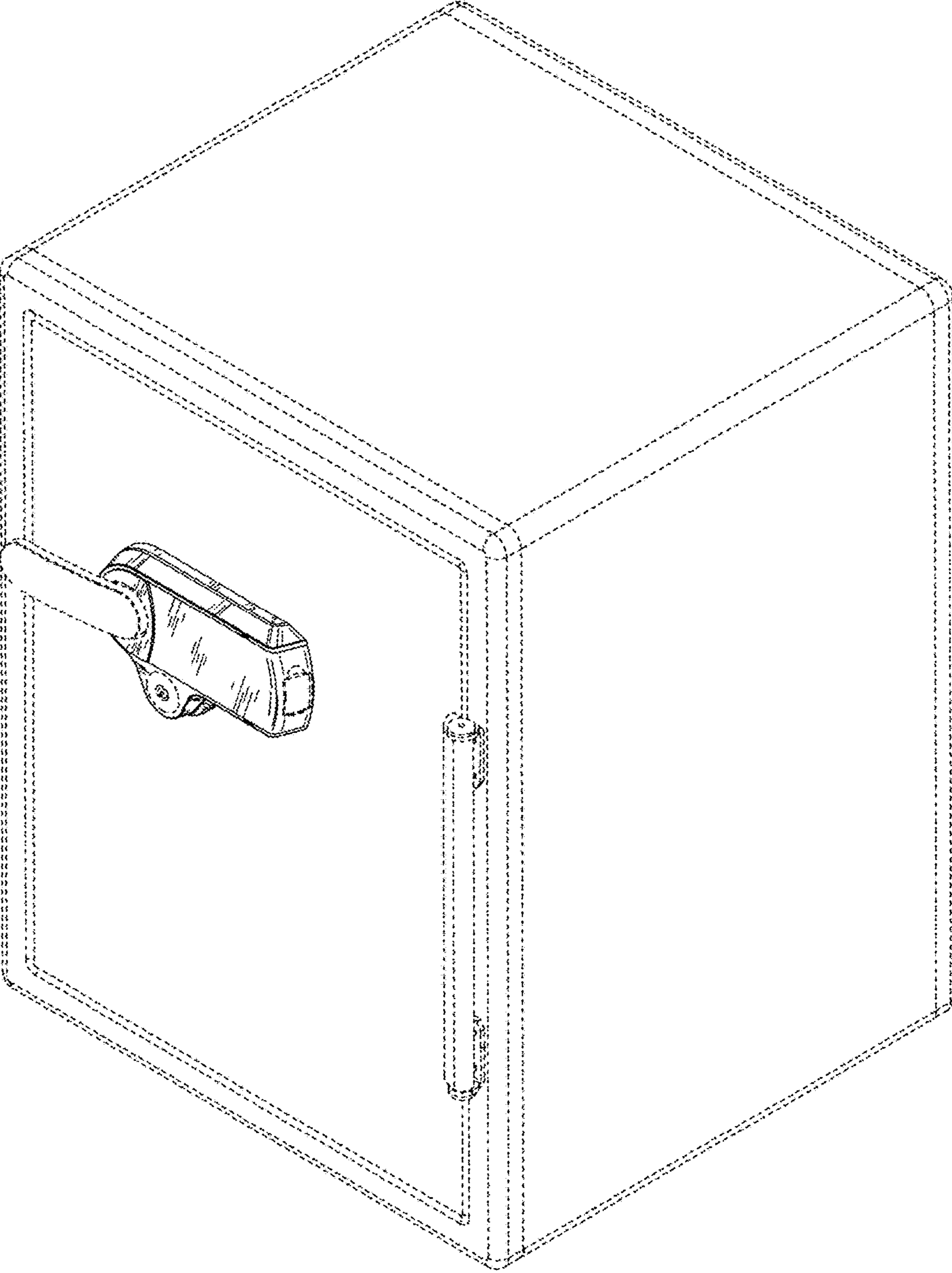


FIG. 1

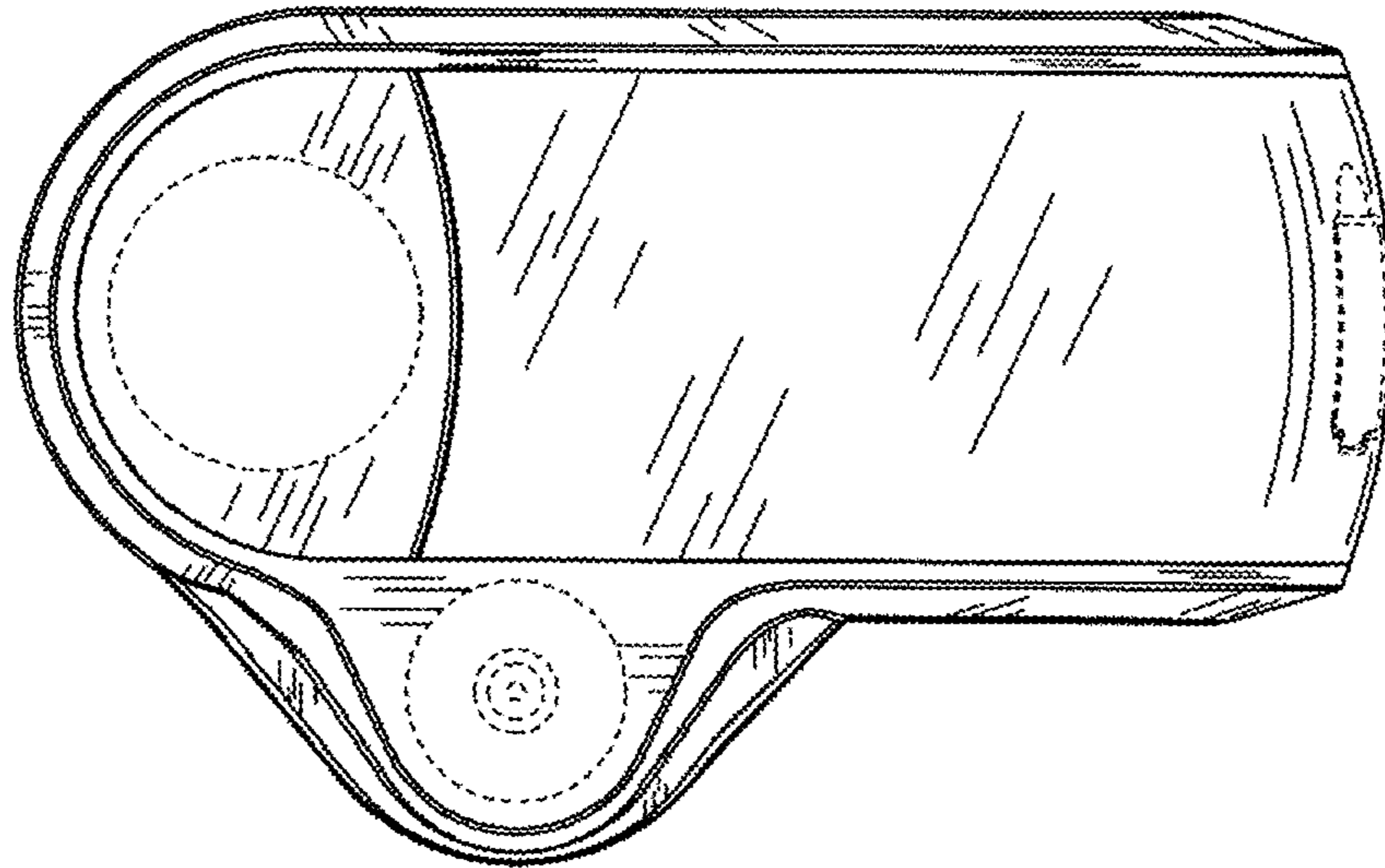


FIG. 2

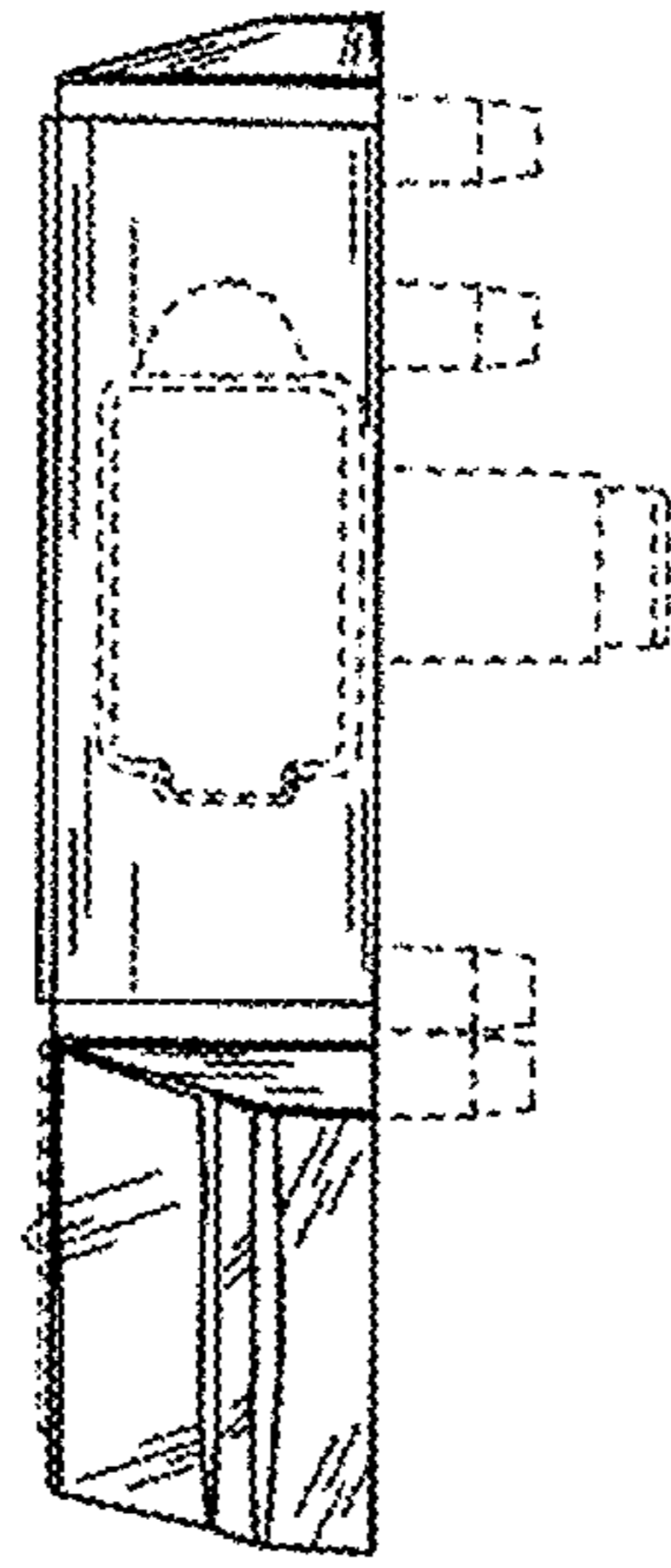


FIG. 3

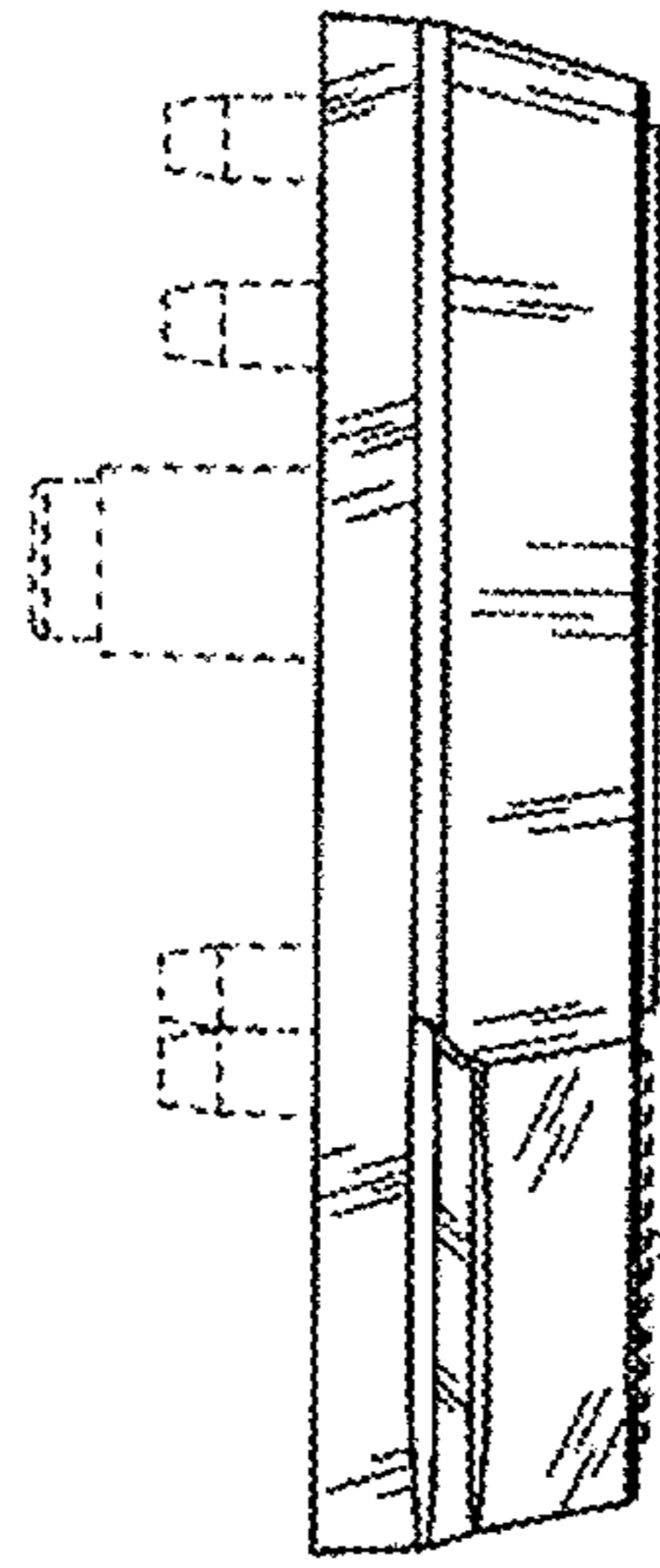


FIG. 4

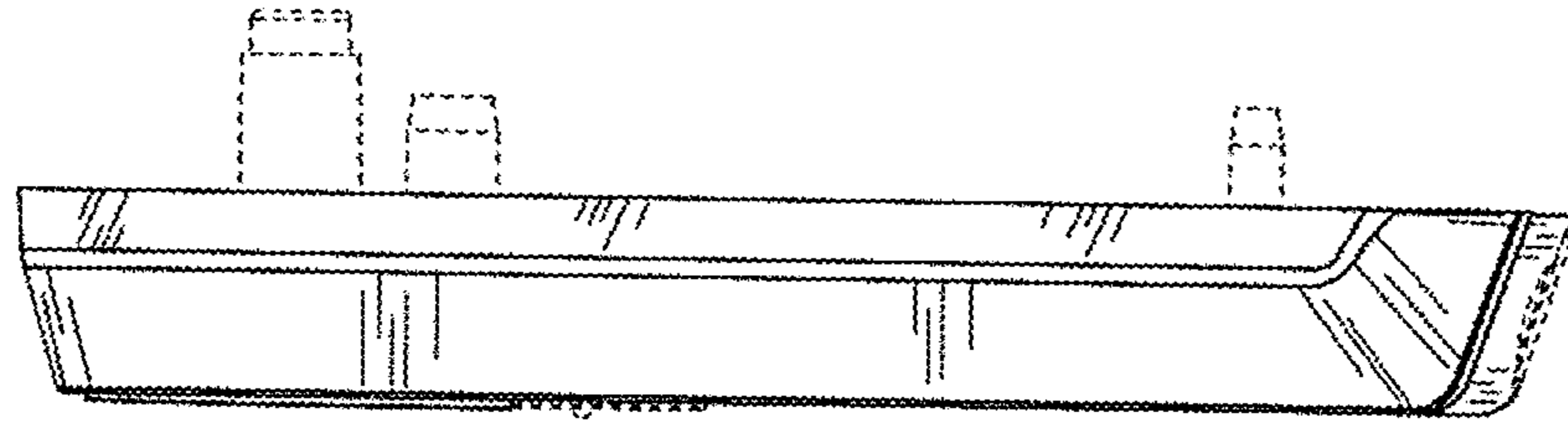


FIG. 5

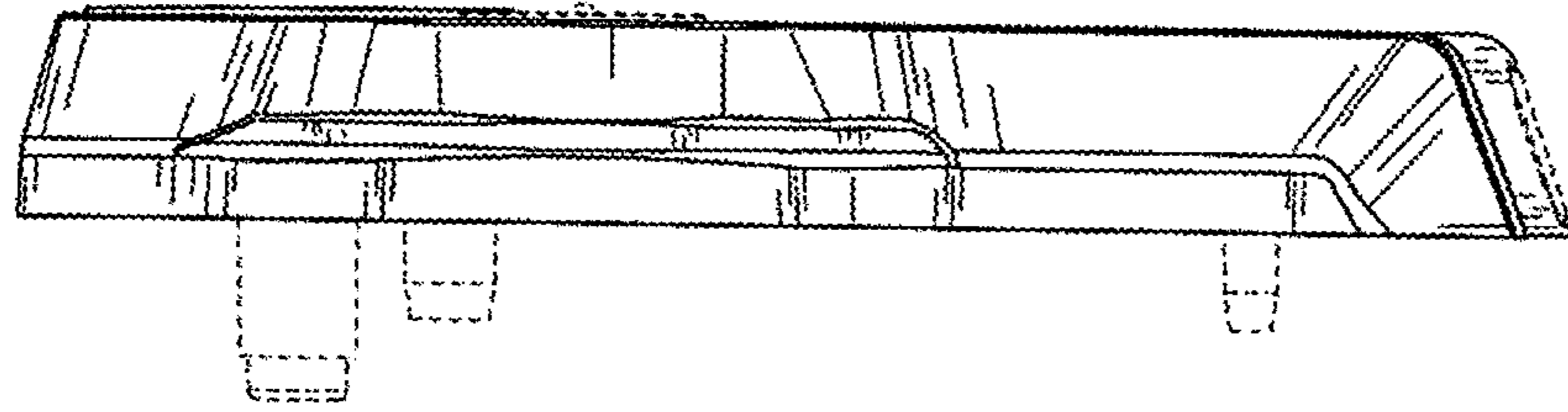


FIG. 6