



US00D811687S

(12) **United States Design Patent** (10) **Patent No.:** **US D811,687 S**
Kang (45) **Date of Patent:** **** Feb. 27, 2018**

(54) **CONTAINER FOR VALUABLES**
(71) Applicants: **TOP SYSTEM CO., LTD.**, Ansan-si, Gyeonggi-do (KR); **Tae Wook Kang**, Yongin-si, Gyeonggi-do (KR)
(72) Inventor: **Tae Wook Kang**, Yongin-si (KR)
(73) Assignees: **TOP SYSTEM CO., LTD.**, Ansan-si, Gyeonggi-do (KR); **Tae Wook Kang**, Yongin-si, Gyeonggi-do (KR)

D436,793 S * 1/2001 Taira D7/351
D484,304 S * 12/2003 Sanderson D3/203.1
D557,875 S * 12/2007 Stuhlberg D99/28
D579,625 S * 10/2008 Kang D99/28
D624,275 S * 9/2010 Min D99/28
D634,967 S * 3/2011 Drummond D7/351
D634,968 S * 3/2011 Drummond D7/351
D678,671 S * 3/2013 Ballard D3/203.1
D717,581 S * 11/2014 Kim D7/351
D748,365 S * 1/2016 Nelson D99/28

(**) Term: **15 Years**
(21) Appl. No.: **29/572,137**
(22) Filed: **Jul. 25, 2016**

(30) **Foreign Application Priority Data**
Jun. 16, 2016 (KR) 30-2016-0029154

(51) **LOC (11) Cl.** **06-04**
(52) **U.S. Cl.**
USPC **D99/28**

(58) **Field of Classification Search**
USPC D99/29, 34, 35, 36, 37, 38, 39, 40, 41, D99/42, 43, 28; D14/900, 901, 902, 307; 232/4 R; 109/1 V; D9/414, 423, 424, D9/432; D7/351; D3/273, 292, 304, D3/323, 201, 302, 294, 203.1, 214; D18/3.1, 3.2, 3.3; D8/334; D15/9.1, 9.2; D10/42; D25/16; D21/394; D27/189
CPC . B65D 45/16; B65D 1/00; B65D 1/22; B65D 7/00; B65D 7/06; G06Q 20/1085; A47B 43/00
See application file for complete search history.

(56) **References Cited**
U.S. PATENT DOCUMENTS
D308,744 S * 6/1990 Arauchi D99/28
D436,285 S * 1/2001 Taira D7/351

OTHER PUBLICATIONS

Honeywell Firesafe with Combination Dial Lock, no date available, [online], [site visited Jul. 10, 2017]. Retrieved from url:http://www.homedepot.com/p/Honeywell-0-57-cu-ft-Fire-Safe-with-Combination-Dial-Lock-2102/202806837.*

* cited by examiner

Primary Examiner — Jeffrey D Asch
Assistant Examiner — Tracey J Bell
(74) *Attorney, Agent, or Firm* — Novick, Kim & Lee, PLLC; Sang Ho Lee

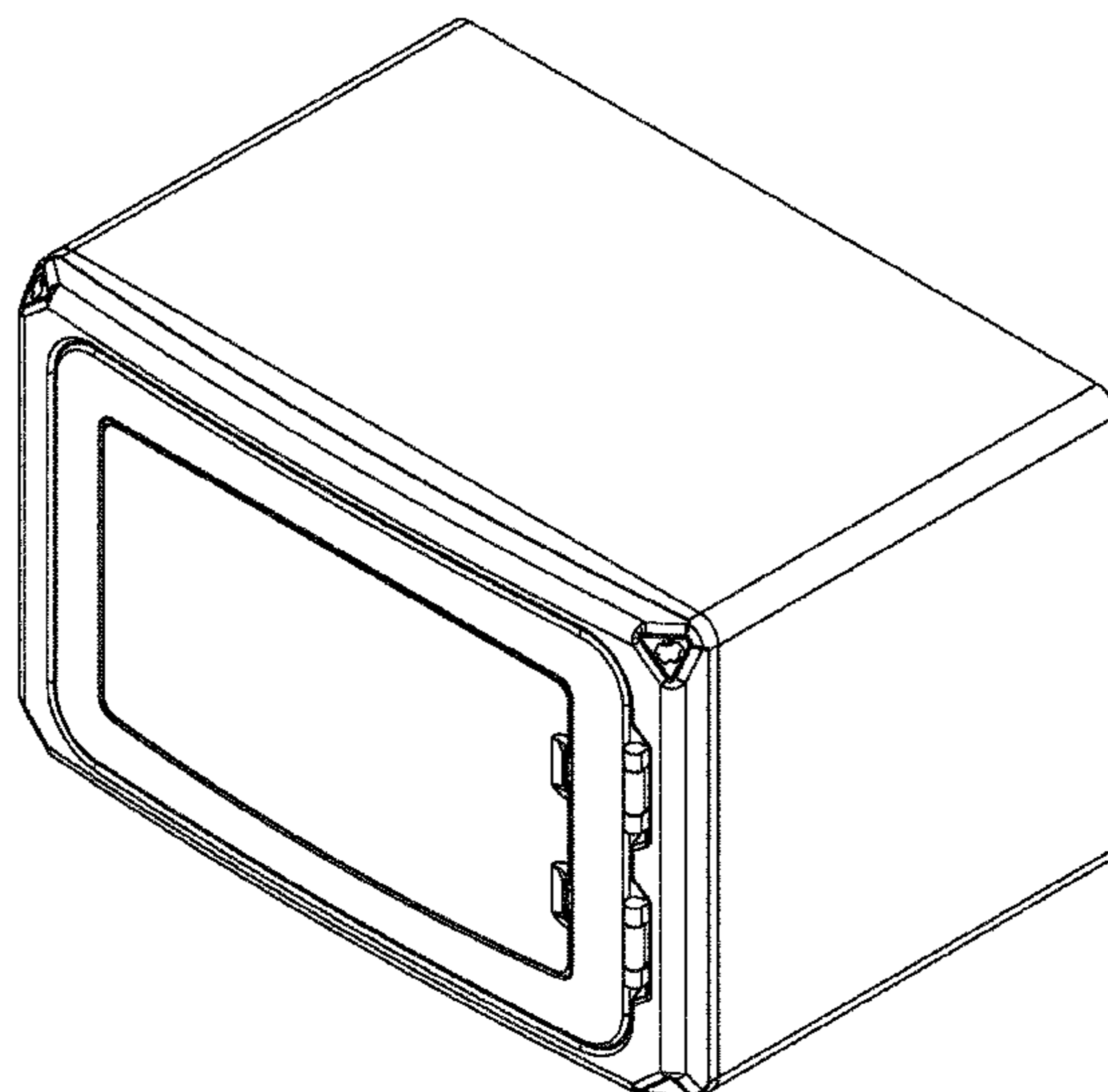
(57) **CLAIM**

I claim the ornamental design for a container for valuables, as shown and described.

DESCRIPTION

FIG. 1 is a perspective view of a container for valuables, showing my new design;
FIG. 2 is a front elevational view thereof;
FIG. 3 is a rear elevational view thereof;
FIG. 4 is a left side elevational view thereof;
FIG. 5 is a right side elevational view thereof;
FIG. 6 is a top plan view thereof; and,
FIG. 7 is a bottom plan view thereof.

1 Claim, 7 Drawing Sheets



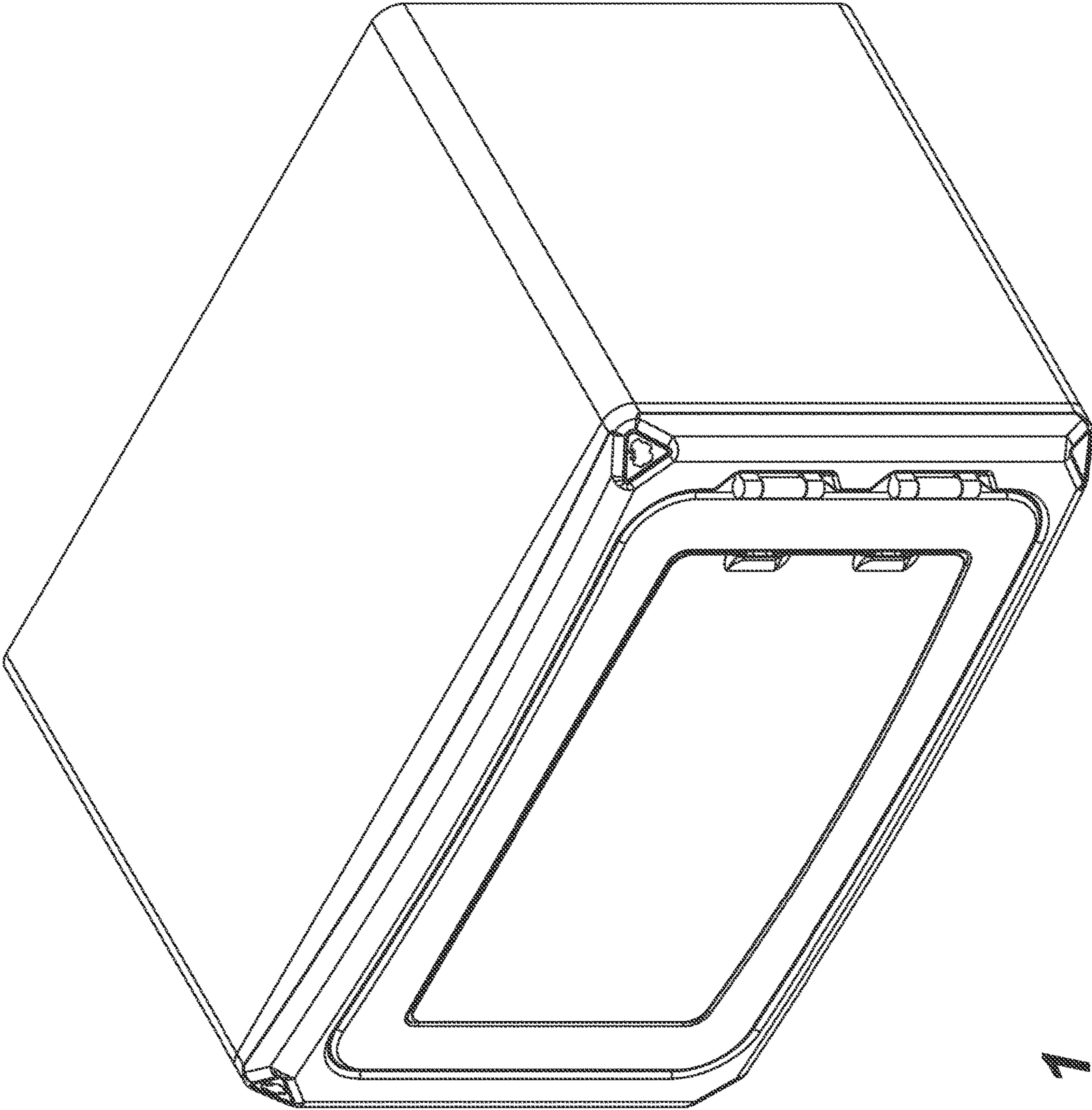


FIG. 1

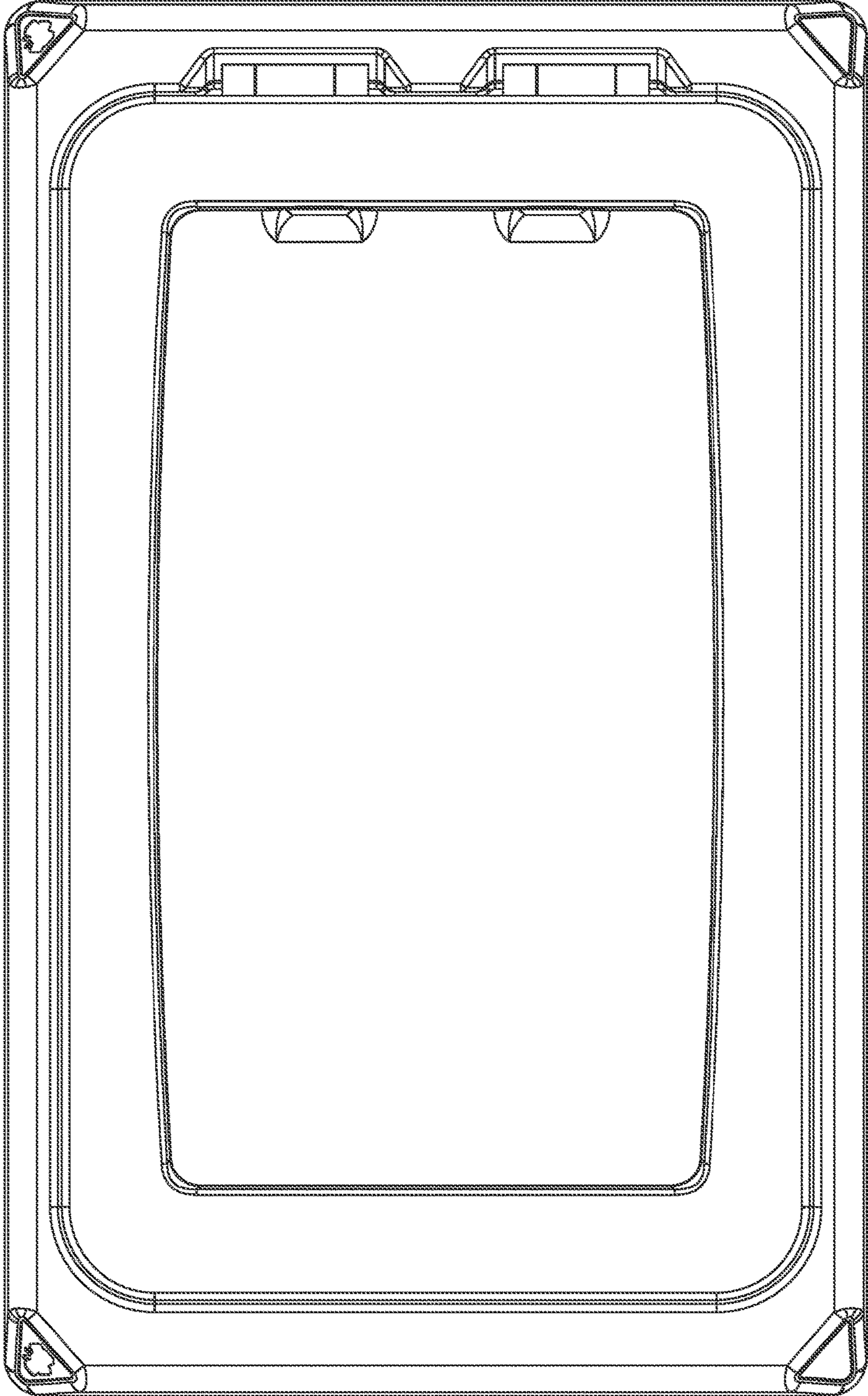


FIG. 2

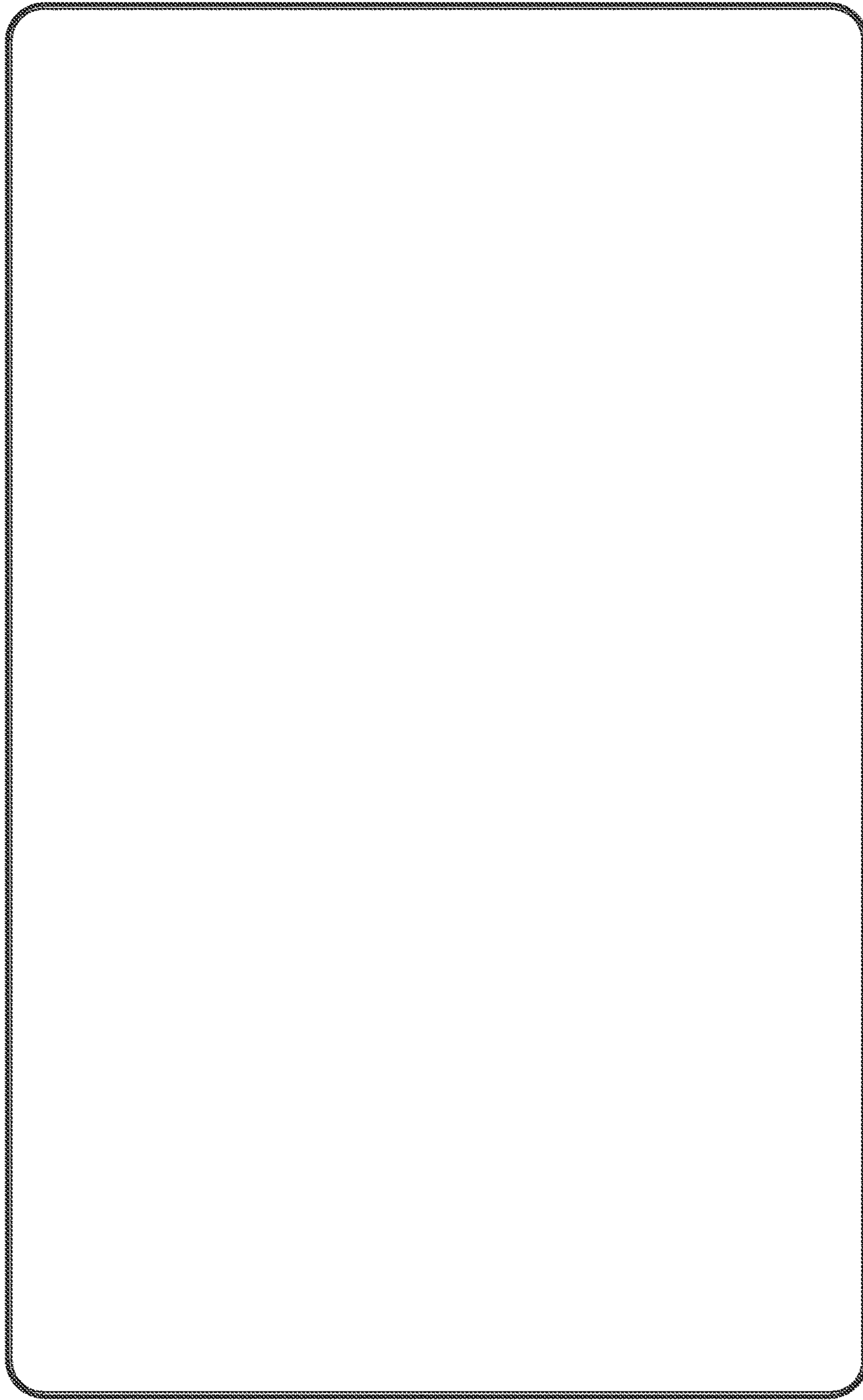


FIG. 3

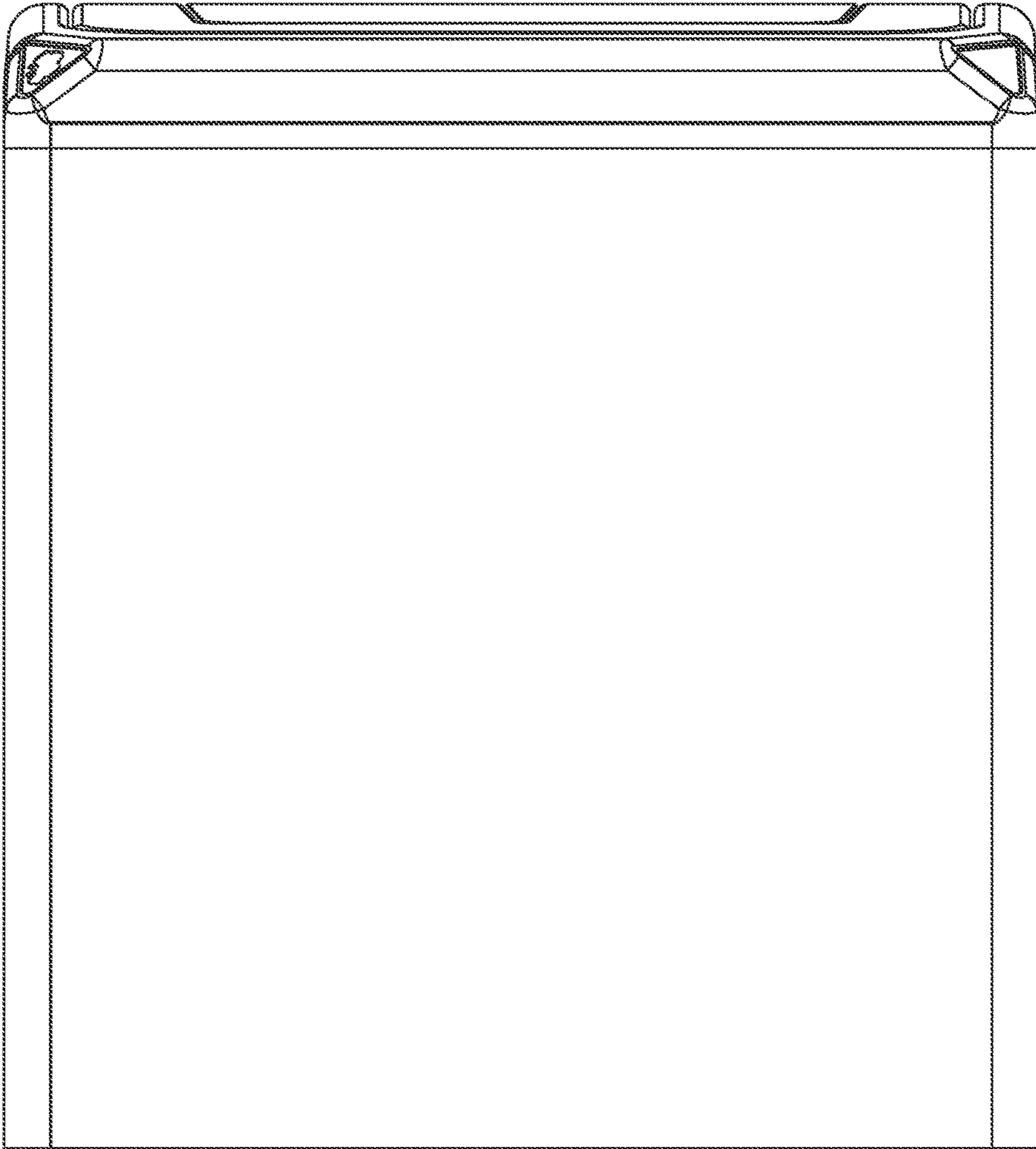


FIG. 4

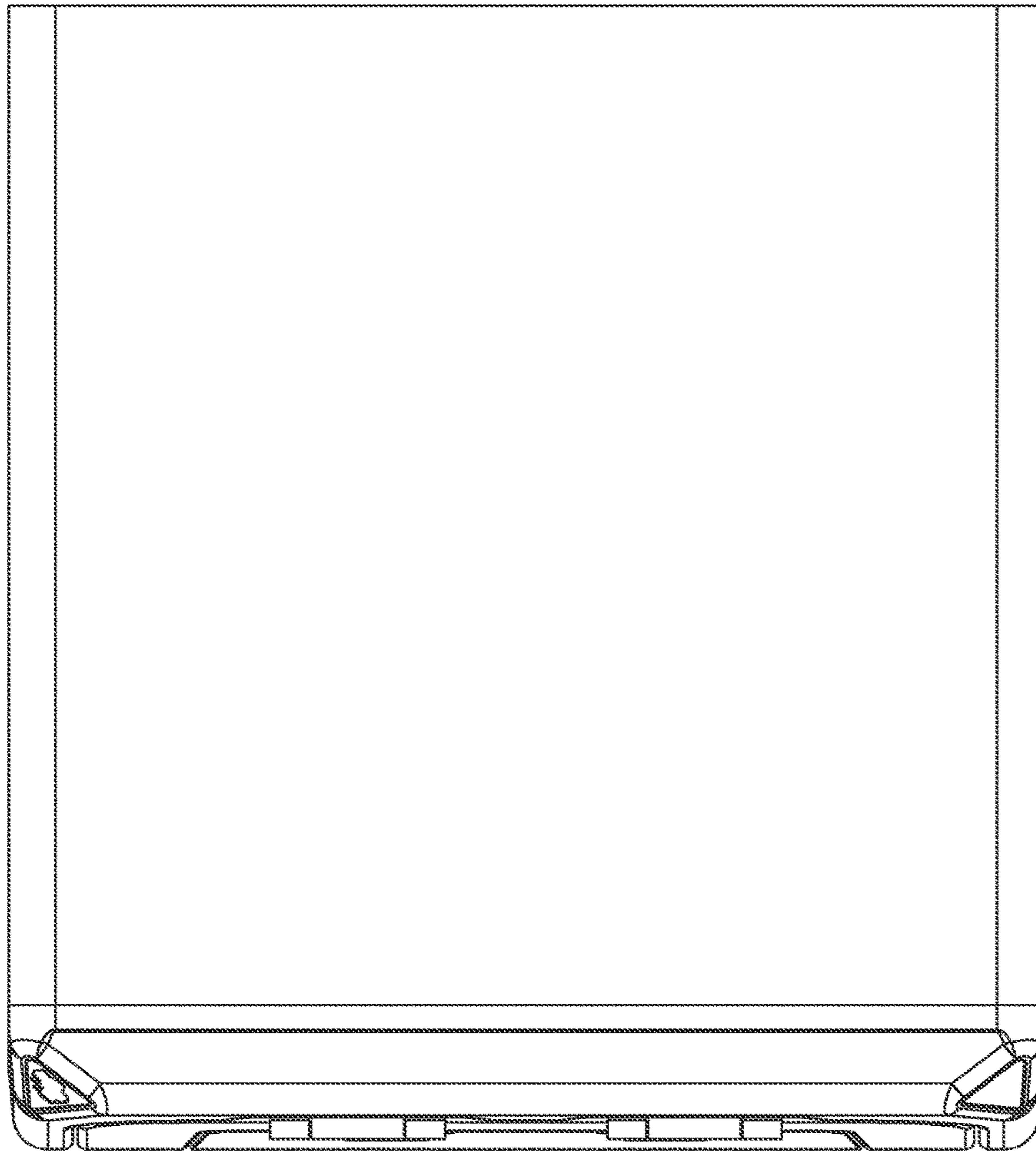


FIG. 5

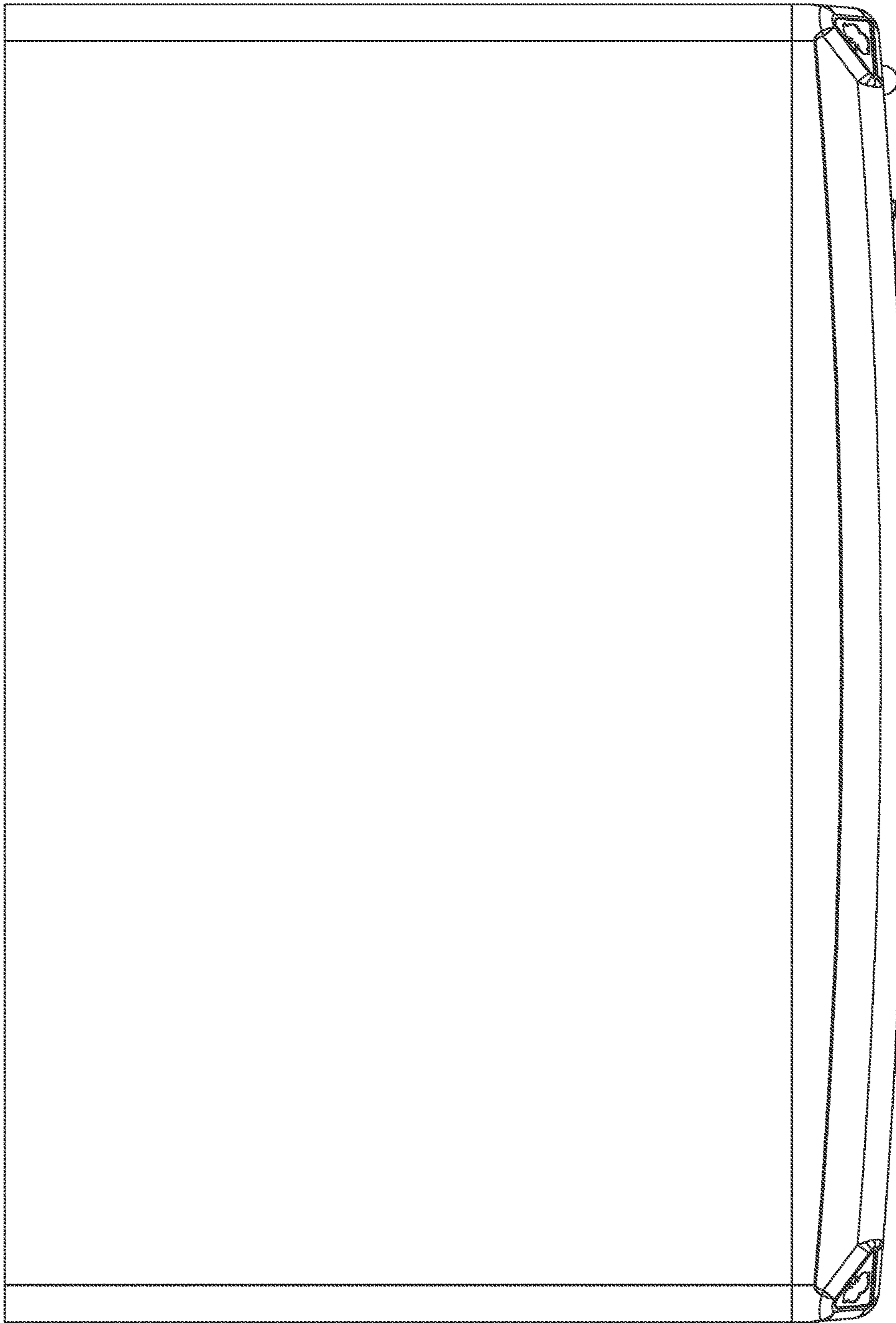


FIG. 6

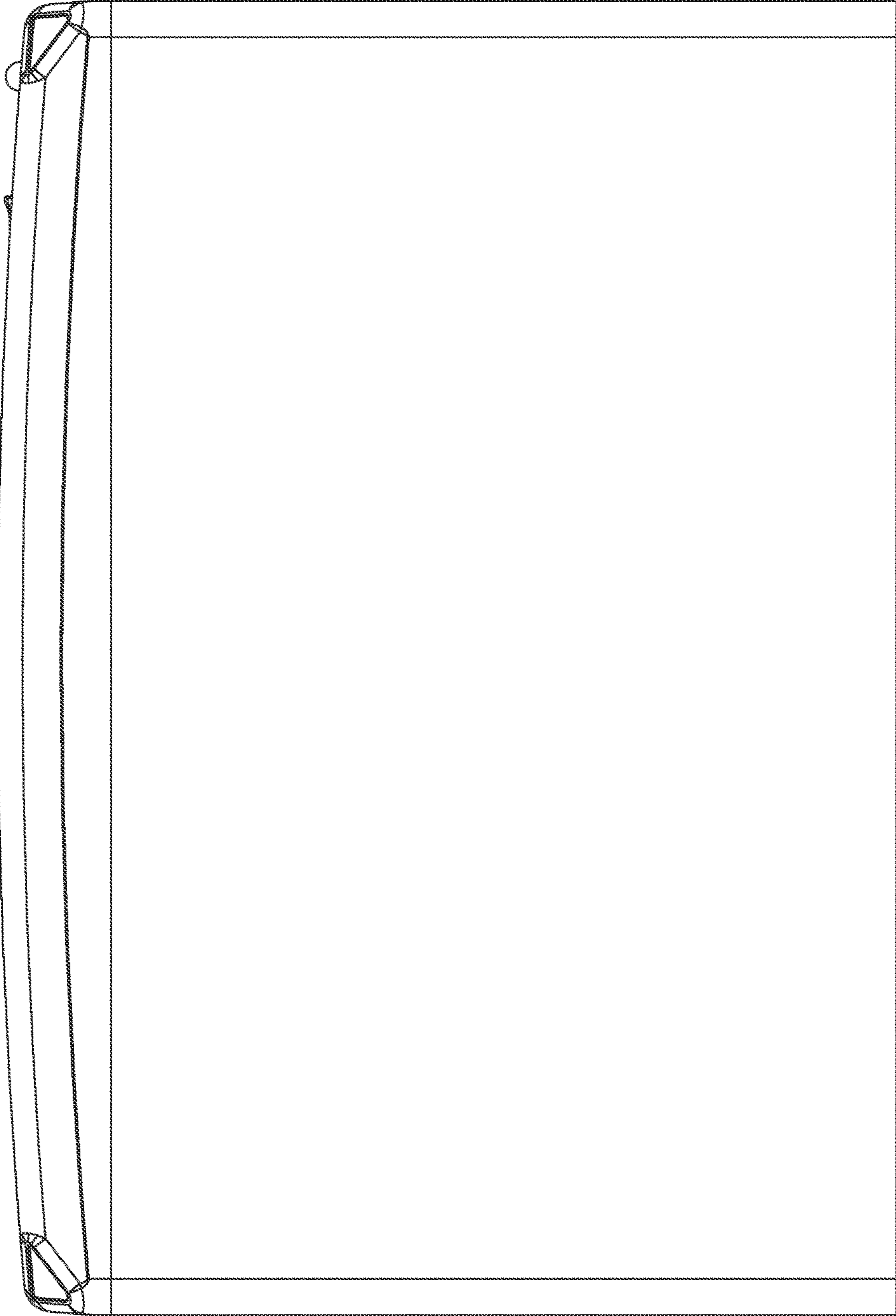


FIG. 7