



US00D811685S

(12) **United States Design Patent** (10) **Patent No.:** **US D811,685 S**
Fretz et al. (45) **Date of Patent:** **** Feb. 27, 2018**

(54) **CLUTCH LEVER OF A WINCH**
(71) Applicant: **Warn Industries, Inc.**, Clackamas, OR (US)
(72) Inventors: **Darren G. Fretz**, Oregon City, OR (US); **Eric Vaughn**, Milwaukie, OR (US)
(73) Assignee: **Warn Industries, Inc.**, Clackamas, OR (US)

4,545,567 A 10/1985 Telford et al.
4,736,929 A 4/1988 McMorris
5,098,068 A * 3/1992 Jussila B66D 1/28
254/342
5,170,885 A * 12/1992 Guenther H01B 17/26
174/50.63
5,214,359 A 5/1993 Herndon et al.
5,353,890 A 10/1994 Clohessy
5,482,255 A 1/1996 Daschel et al.
5,522,582 A 6/1996 Dilks
5,618,143 A 4/1997 Cronin, II et al.
5,648,887 A 7/1997 Herndon et al.
(Continued)

(**) Term: **15 Years**

(21) Appl. No.: **29/582,664**
(22) Filed: **Oct. 28, 2016**
(51) **LOC (11) Cl.** **12-05**
(52) **U.S. Cl.**
USPC **D34/33**
(58) **Field of Classification Search**
USPC D34/33; 254/362, 356, 372, 380, 901,
254/382, 374, 316
CPC ... B66D 1/14; B66D 1/38; B66D 1/28; B66D
1/04; B66D 1/22; B66D 1/39; B66D
1/7405; B66D 1/00; B66D 1/08; B66D
1/26; B66D 1/36; B66D 1/505; B66D
1/7484
See application file for complete search history.

OTHER PUBLICATIONS

Fretz, Darren G. et al., "A Fairlead with a Lighting System,"
Provisional U.S. Appl. No. 62/331,558, filed May 4, 2016, 43 pages.
(Continued)

Primary Examiner — Cynthia Ramirez
(74) *Attorney, Agent, or Firm* — McCoy Russell LLP

(57) **CLAIM**

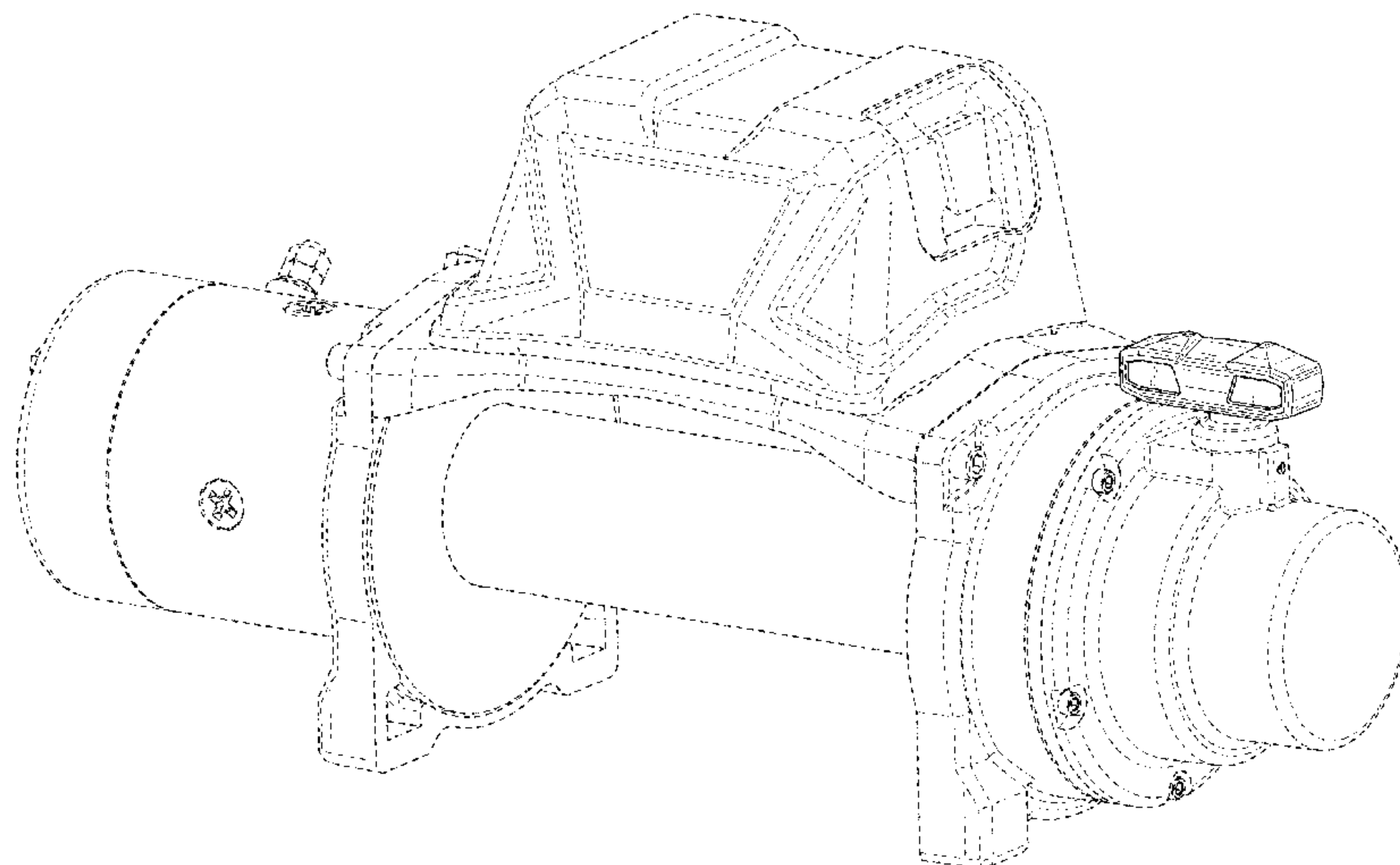
The ornamental design for a clutch lever of a winch, as shown and described.

DESCRIPTION

FIG. 1 is a front perspective view of a clutch lever of a winch showing our new design;
FIG. 2 is a front view thereof;
FIG. 3 is a back view thereof;
FIG. 4 is a left side view thereof;
FIG. 5 is a right side view thereof;
FIG. 6 is a top view thereof; and,
FIG. 7 is a bottom view thereof.
The broken lines in FIGS. 1-7 are included for the purpose of illustrating environmental structure and form no part of the claimed design.

(56) **References Cited**
U.S. PATENT DOCUMENTS
1,550,114 A * 8/1925 Simpson B66D 3/18
242/157.1
2,360,713 A * 10/1944 Parker B66D 3/12
254/337
2,365,141 A * 12/1944 Sully B66D 3/24
254/269
3,190,617 A * 6/1965 Burrows B66D 3/22
254/342
4,103,872 A * 8/1978 Hirasuka B66D 1/58
254/356

1 Claim, 7 Drawing Sheets



(56)

References Cited

U.S. PATENT DOCUMENTS

5,772,373 A 6/1998 Cronin, II et al.
 RE36,216 E 6/1999 Telford
 5,927,455 A 7/1999 Baker et al.
 5,967,277 A 10/1999 Walter
 6,046,893 A 4/2000 Heravi
 D440,530 S 4/2001 Geisler
 6,334,269 B1 1/2002 Dilks
 D471,338 S 3/2003 Hodge
 D473,992 S 4/2003 Hodge
 D475,499 S 6/2003 Hodge
 6,604,731 B2 8/2003 Hodge
 D479,899 S 9/2003 Hodge
 D489,157 S 4/2004 Lawson
 6,802,203 B1 10/2004 Averill et al.
 7,000,750 B2 2/2006 Ewer
 7,055,667 B2 6/2006 Roe et al.
 7,143,883 B2 12/2006 McCalla et al.
 7,222,700 B2 5/2007 Elliott
 7,262,947 B2 8/2007 Heravi et al.
 D591,923 S 5/2009 Freitas et al.
 8,025,130 B2 9/2011 Elliott
 8,076,885 B2 12/2011 Heravi et al.
 D699,098 S 2/2014 Fretz
 D702,595 S 4/2014 Fretz
 D703,414 S 4/2014 Fretz et al.
 D707,529 S 6/2014 Fretz
 D708,507 S 7/2014 Fretz

D725,339 S 3/2015 Fretz
 9,014,913 B2 4/2015 Heravi et al.
 D731,293 S 6/2015 Fretz
 D736,129 S 8/2015 Fretz et al.
 9,120,656 B2 9/2015 Yoder
 D740,513 S 10/2015 Fretz et al.
 D742,614 S * 11/2015 Aho D34/33
 D744,189 S 11/2015 Fretz
 9,266,702 B2 2/2016 Fretz et al.
 9,315,364 B2 4/2016 Averill et al.
 D771,897 S * 11/2016 Aho D34/33
 D776,395 S 1/2017 Fretz et al.
 D779,768 S * 2/2017 Fretz D34/33
 2014/0001428 A1 1/2014 Fretz
 2016/0096709 A1 4/2016 Averill et al.
 2016/0176687 A1 6/2016 Averill et al.

OTHER PUBLICATIONS

Fretz, Darren G. et al., "An Ornamental Design for a Fairlead," Design U.S. Appl. No. 29/582,657, filed Oct. 28, 2016, 7 pages.
 Fretz, Darren G. et al., "An Ornamental Design for a Control Pack of a Winch," Design U.S. Appl. No. 29/582,659, filed Oct. 28, 2016, 9 pages.
 Fretz, Darren G., "An Ornamental Design for a Fairlead," Design U.S. Appl. No. 29/582,672, filed Oct. 28, 2016, 7 pages.
 Fretz, Darren G., "An Ornamental Design for a Lighted Fairlead," Design U.S. Appl. No. 29/582,676, filed Oct. 28, 2016, 7 pages.

* cited by examiner

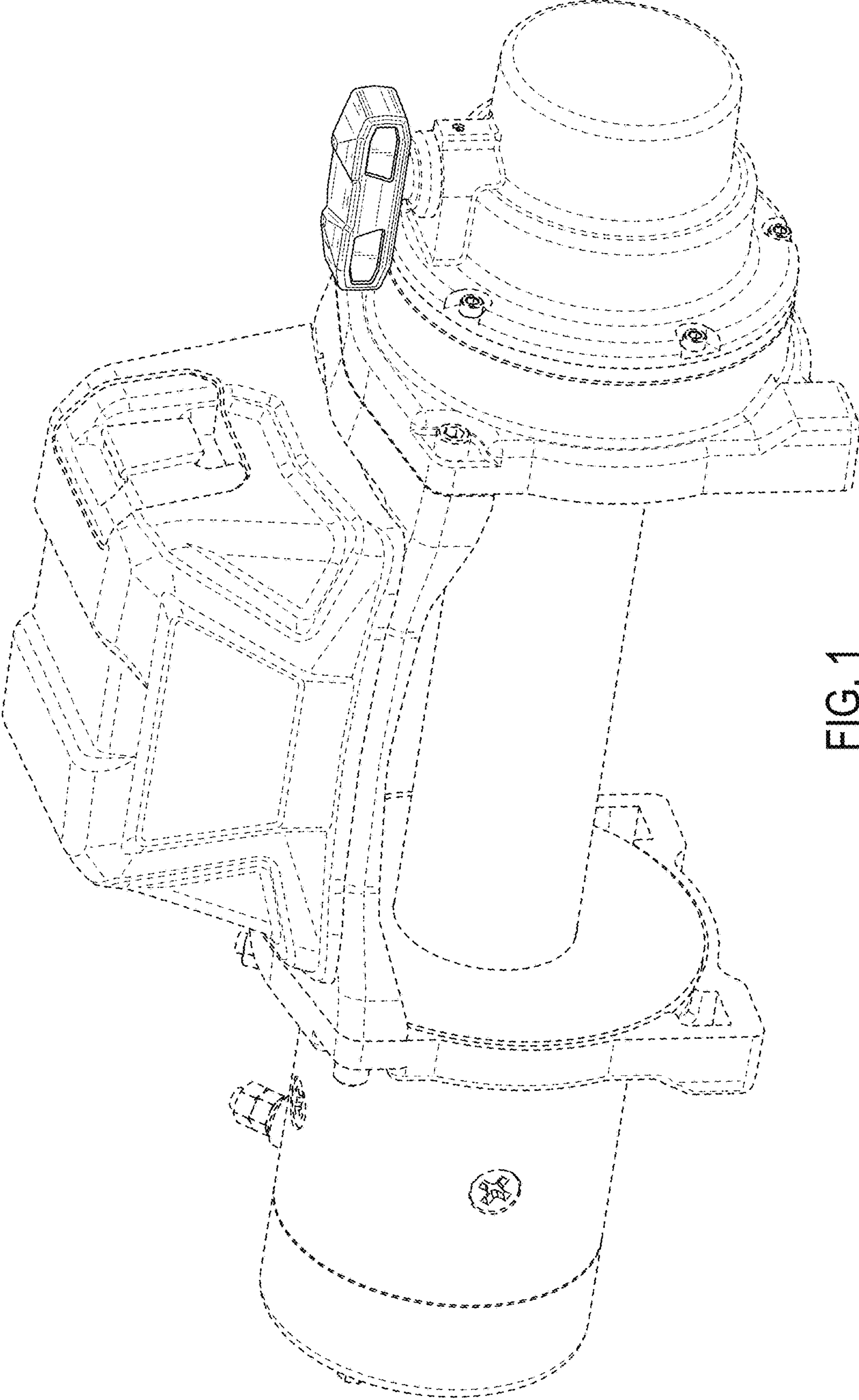


FIG. 1

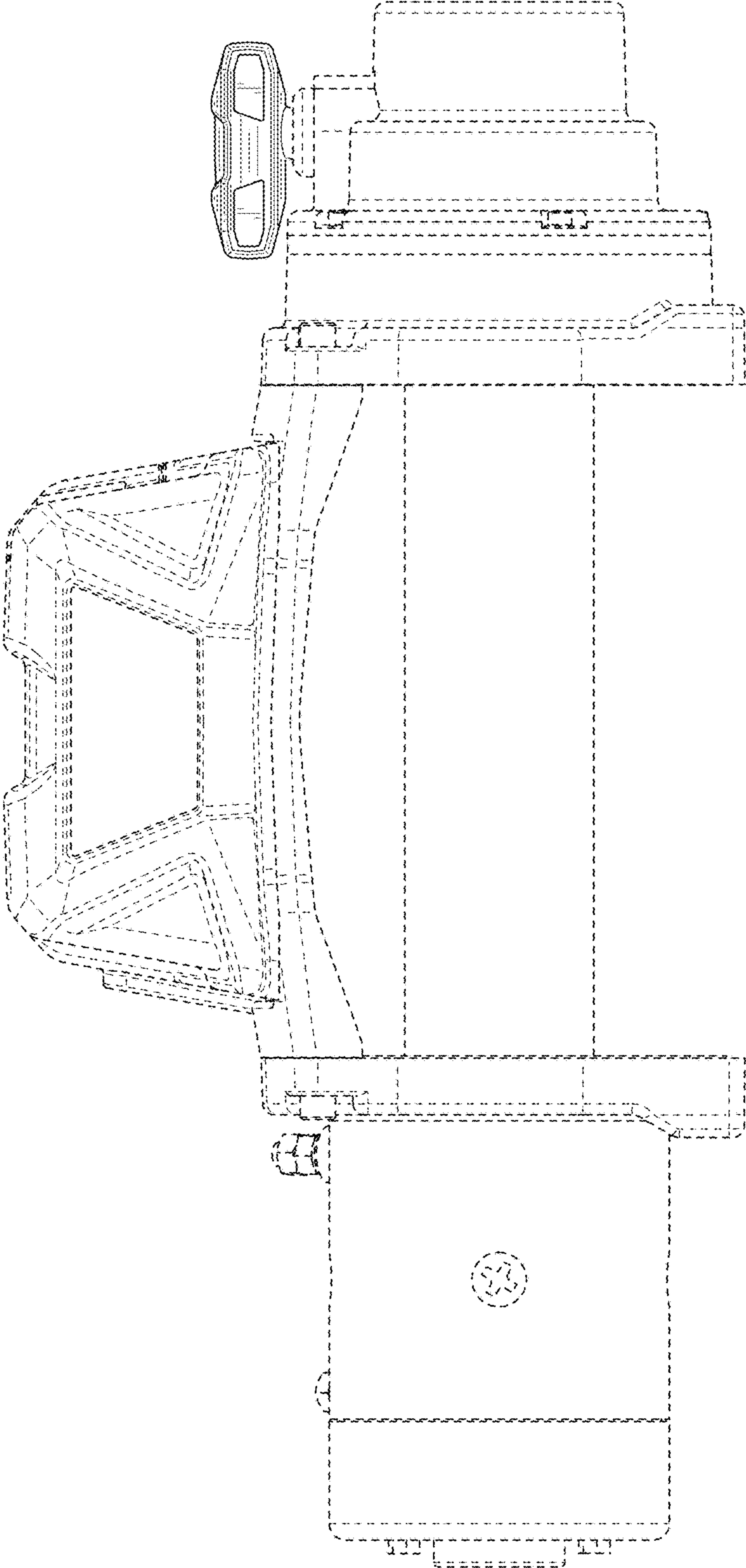


FIG. 2

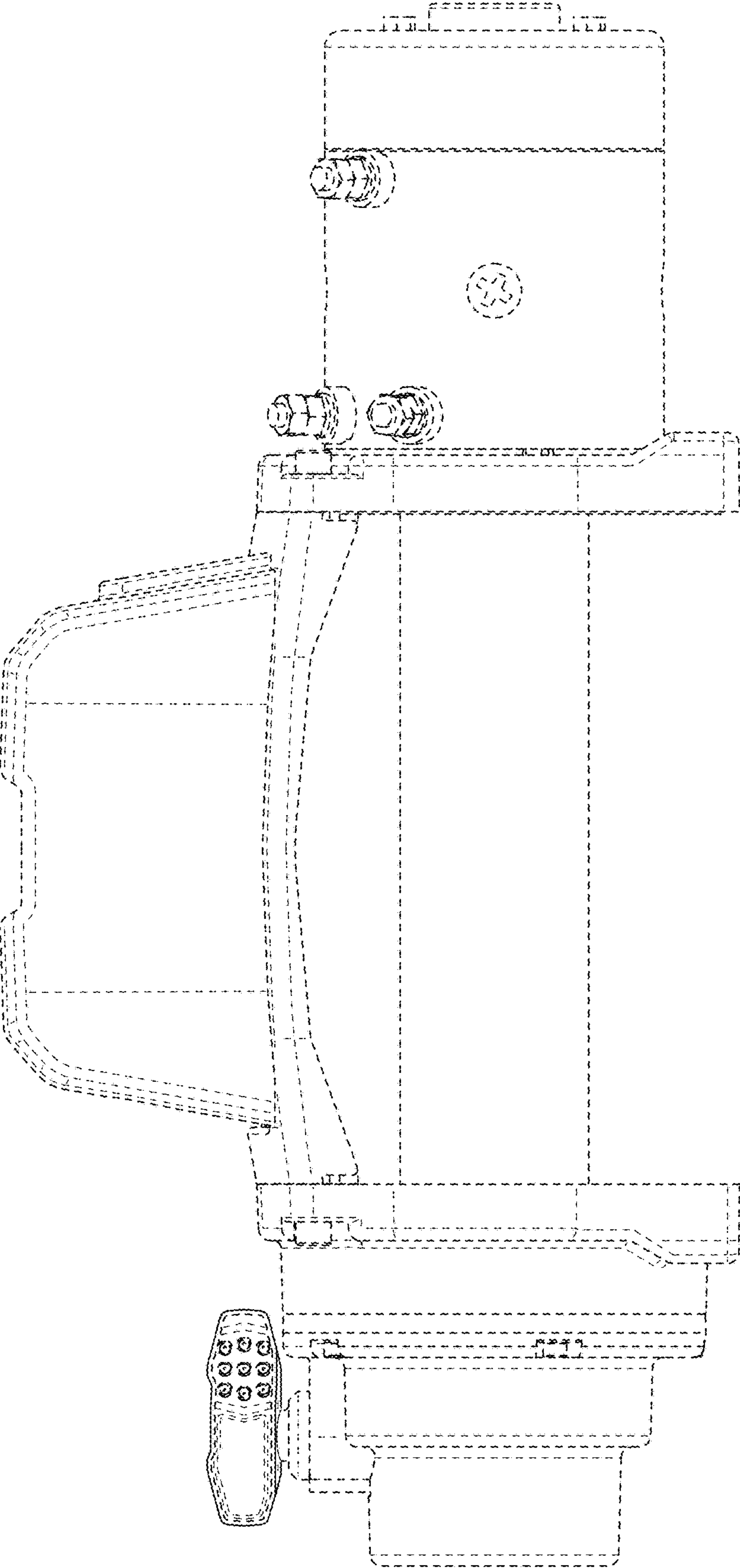


FIG. 3

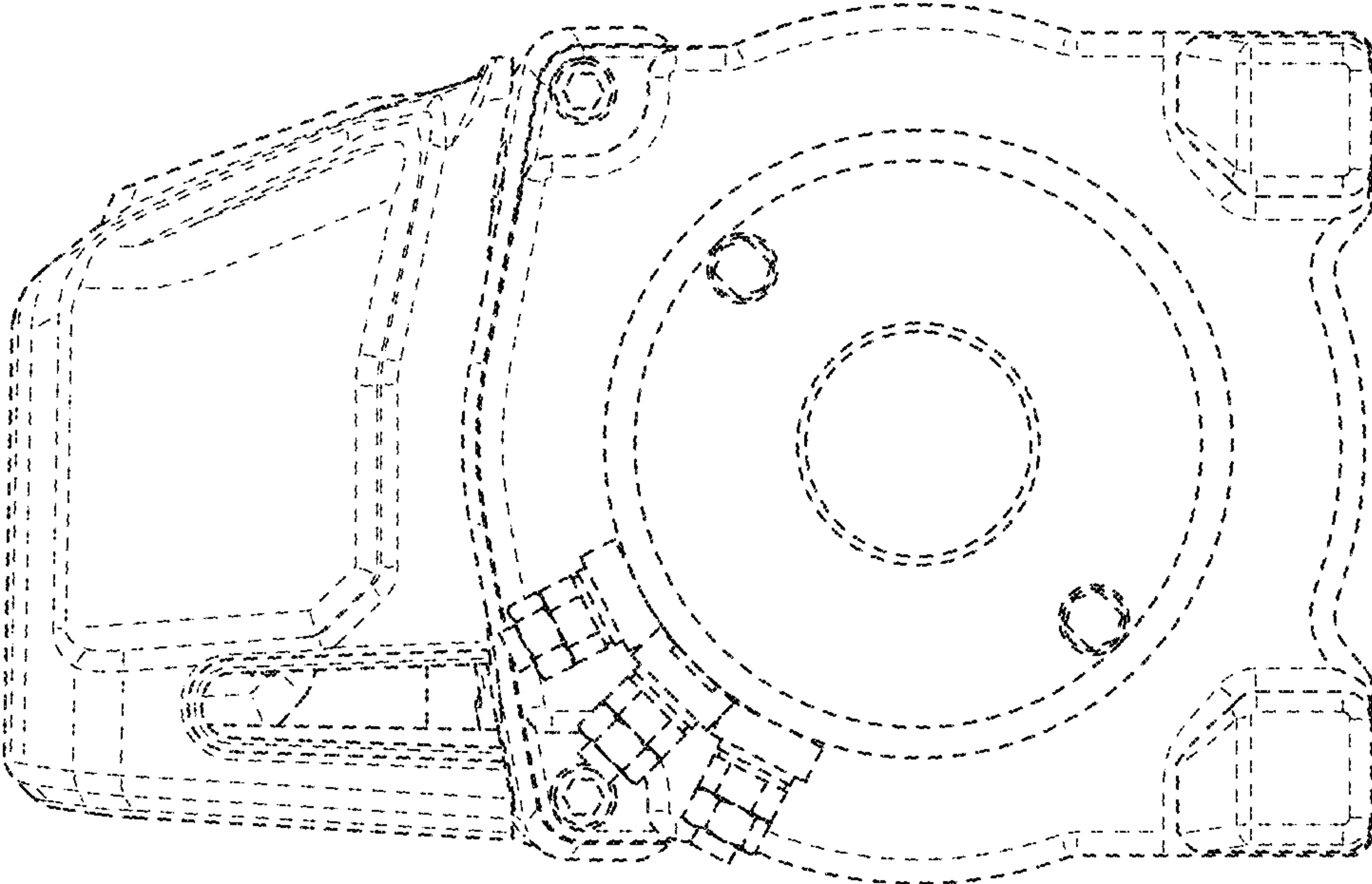


FIG. 4

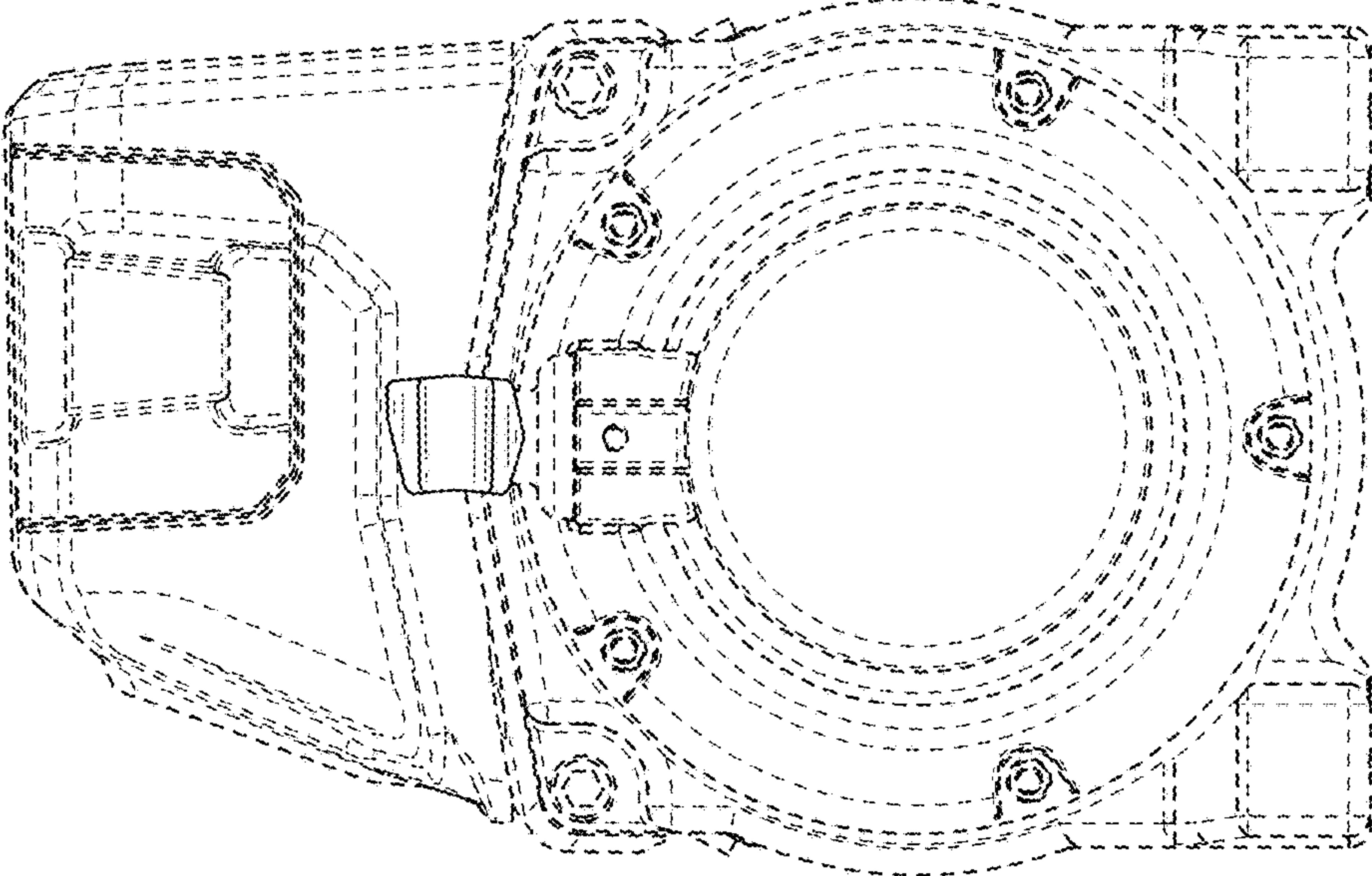


FIG. 5

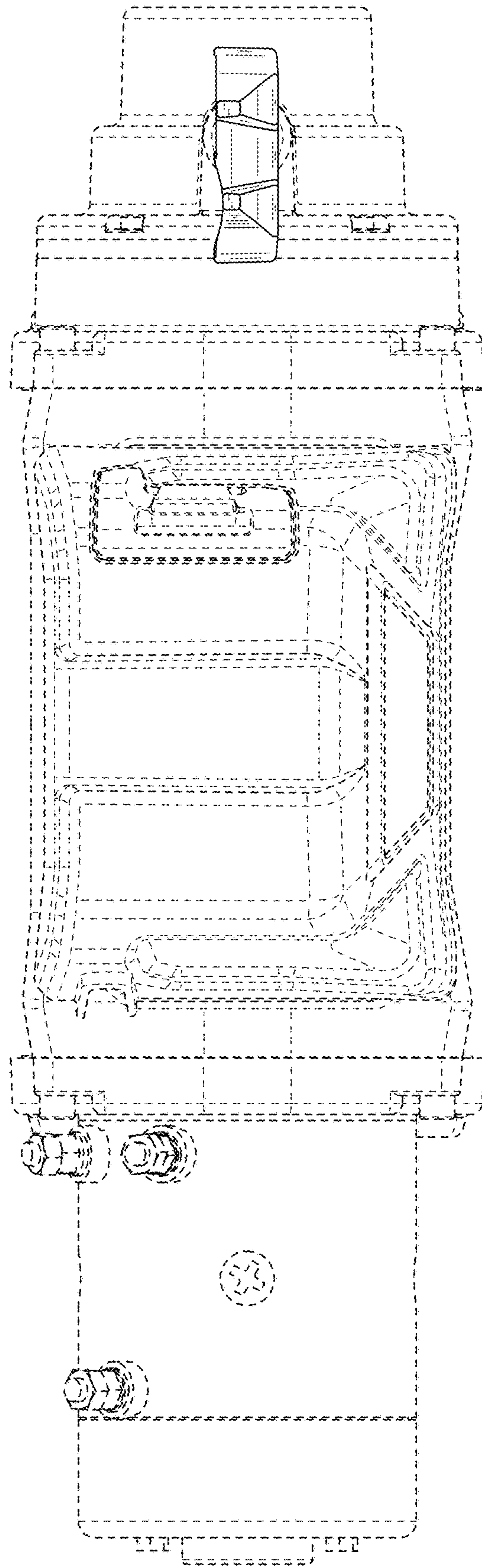


FIG. 6

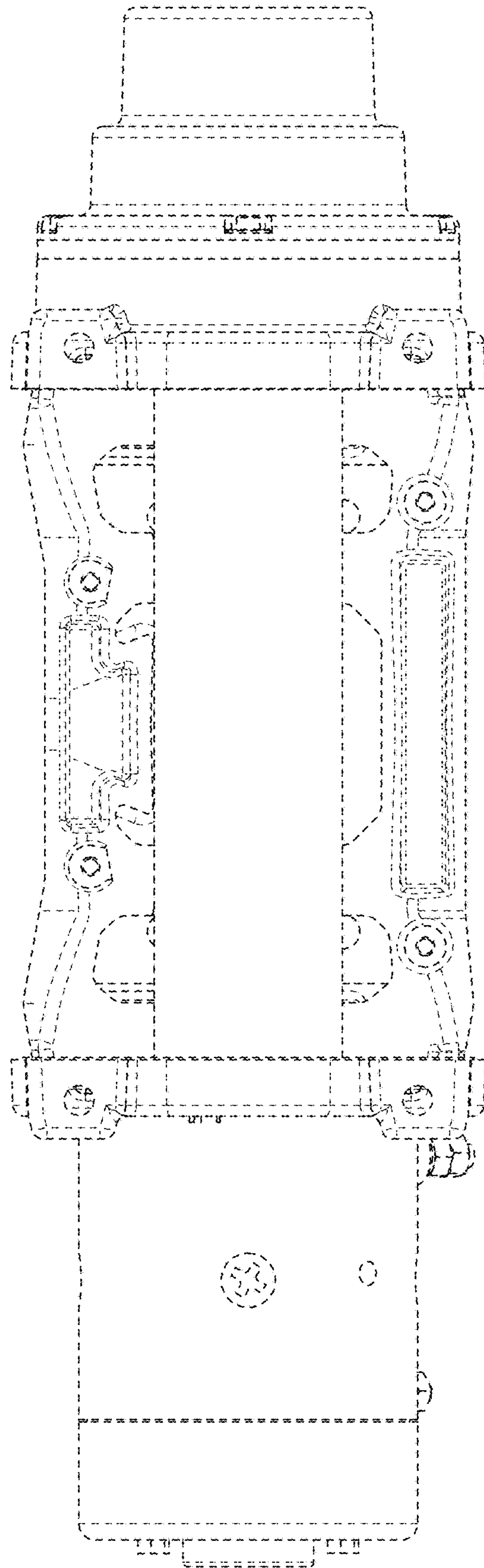


FIG. 7