



US00D811682S

(12) **United States Design Patent**
Davis

(10) **Patent No.:** **US D811,682 S**
(45) **Date of Patent:** **** Feb. 27, 2018**

(54) **LUGGAGE TROLLEY**

(71) Applicant: **James Davis**, Melbourne, FL (US)

(72) Inventor: **James Davis**, Melbourne, FL (US)

(**) Term: **15 Years**

(21) Appl. No.: **29/582,980**

(22) Filed: **Nov. 1, 2016**

(51) **LOC (11) Cl.** **12-02**

(52) **U.S. Cl.**
USPC **D34/17**

(58) **Field of Classification Search**
USPC D34/12-27; 280/79.3, 33.998, 47.34,
280/47.35, 47.36

CPC B62B 3/02; B62B 3/005; B62B 3/004;
B62B 3/022; B62B 3/027; B62B 3/04;
B62B 5/0006; B62B 5/04; B62B 5/025
See application file for complete search history.

(56) **References Cited**

U.S. PATENT DOCUMENTS

D294,760	S	*	3/1988	Vanderdoes, Sr.	280/79.11
5,090,725	A	*	2/1992	Feldner	B62B 3/02 211/189
D329,727	S	*	9/1992	DeWitt	D34/17
5,190,305	A	*	3/1993	Putman	B62B 3/10 211/182
D550,919	S	*	9/2007	Tuncel	D34/17
D550,920	S	*	9/2007	Tuncel	D34/17
7,291,904	B2	*	11/2007	Matsuda	H03H 9/0071 257/414

D560,870	S	*	1/2008	Shipman	D34/17
D591,473	S	*	4/2009	Tuncel	D34/17
D592,820	S	*	5/2009	Tuncel	D34/17
D703,905	S	*	4/2014	Tuncel	D34/23
D713,112	S	*	9/2014	Maher	D34/17
D728,888	S	*	5/2015	Tuncel	D34/17
D743,139	S	*	11/2015	Tuncel	D34/17

* cited by examiner

Primary Examiner — Cynthia Ramirez

(74) *Attorney, Agent, or Firm* — Kelly G. Swartz;
Widerman Malek, PL

(57) **CLAIM**

The ornamental design for a luggage trolley, as shown and described.

DESCRIPTION

FIG. 1 is a front perspective view of a luggage trolley showing my new design.

FIG. 2 is a front elevation view of the luggage trolley illustrated in FIG. 1.

FIG. 3 is a back elevation view of the luggage trolley illustrated in FIG. 1.

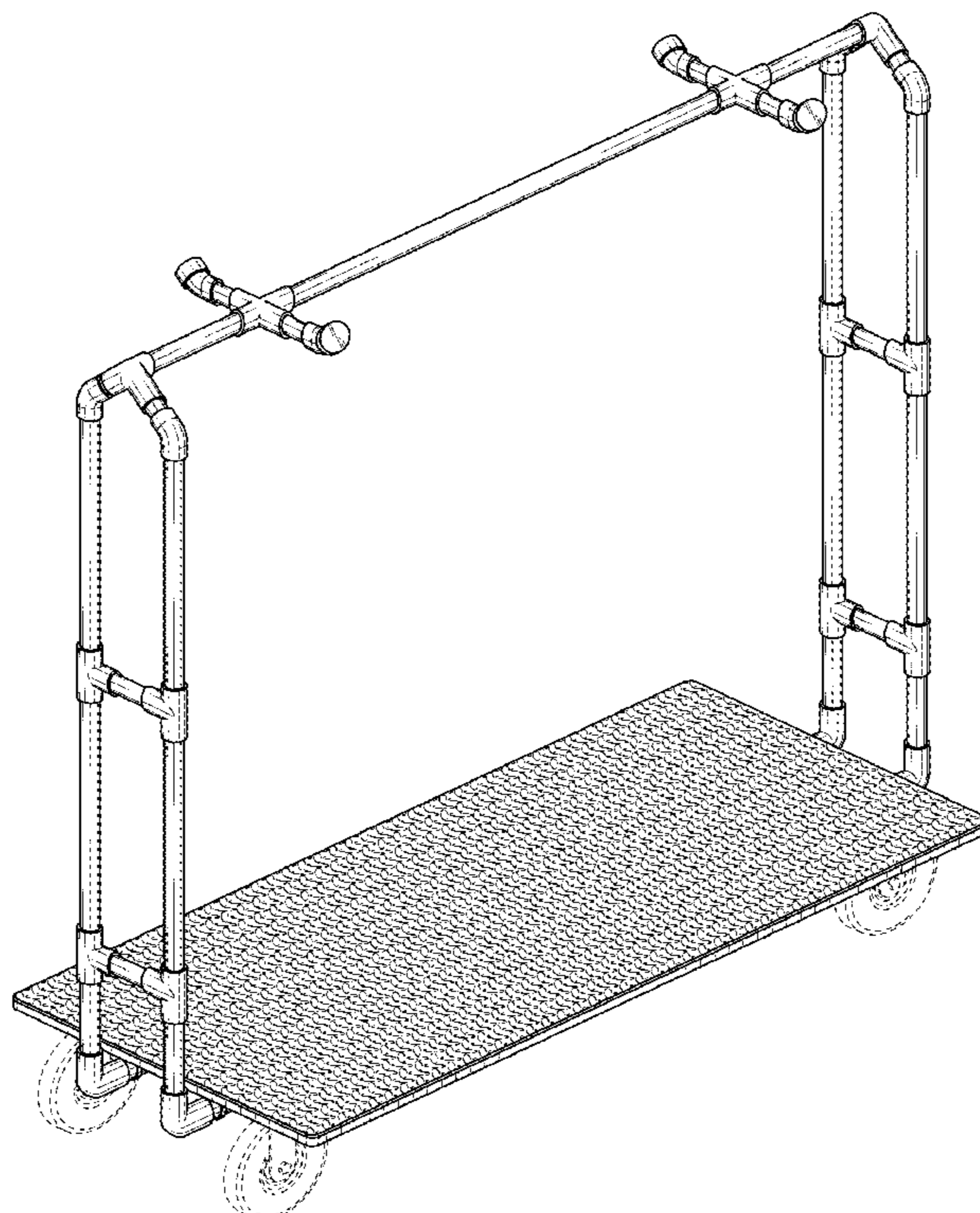
FIG. 4 is a top plan view of the luggage trolley illustrated in FIG. 1.

FIG. 5 is a bottom plan view of the luggage trolley illustrated in FIG. 1.

FIG. 6 is a right side elevation view of the luggage trolley illustrated in FIG. 1; and,

FIG. 7 is a left side elevation view of the luggage trolley illustrated in FIG. 1.

1 Claim, 5 Drawing Sheets



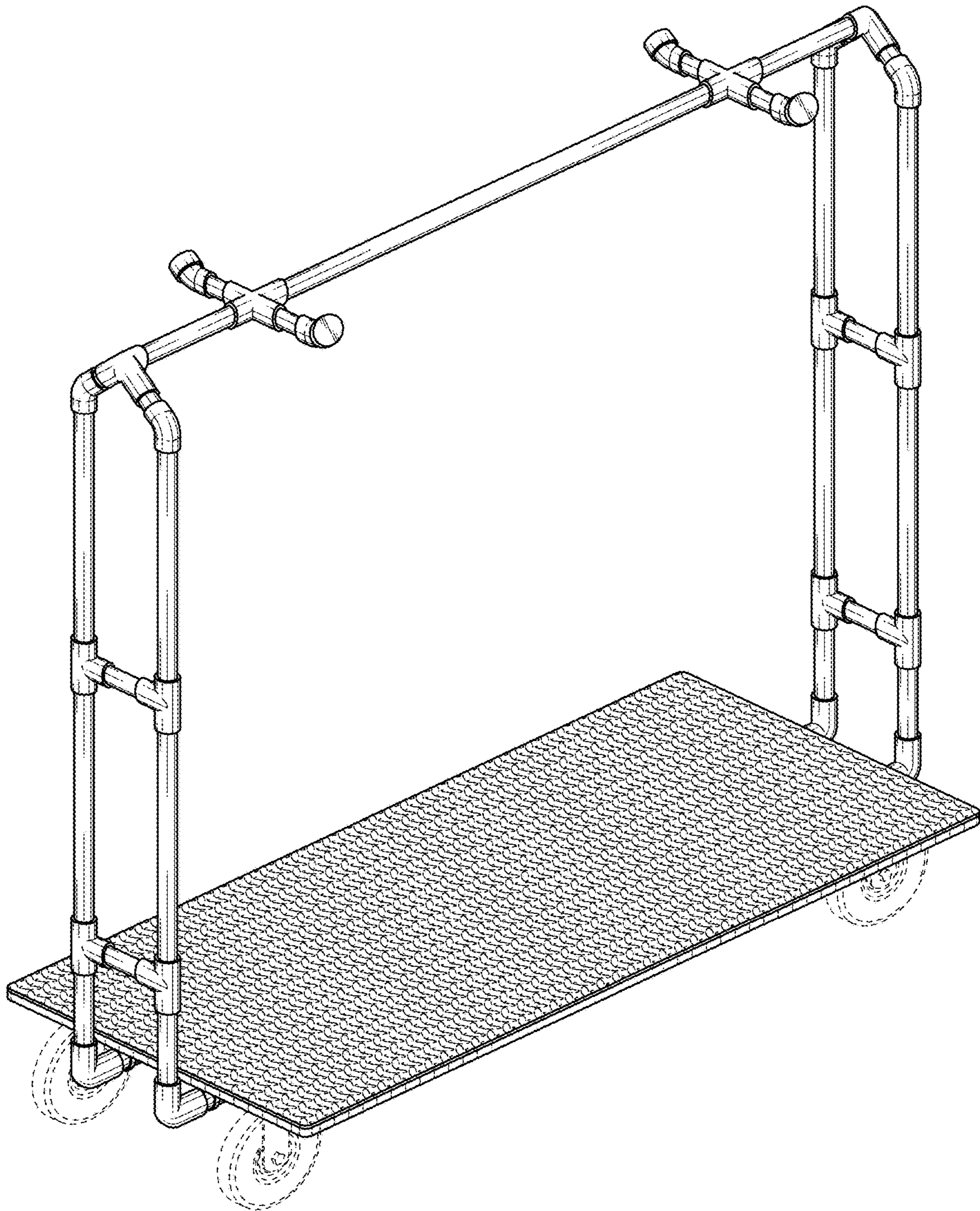


FIG. 1

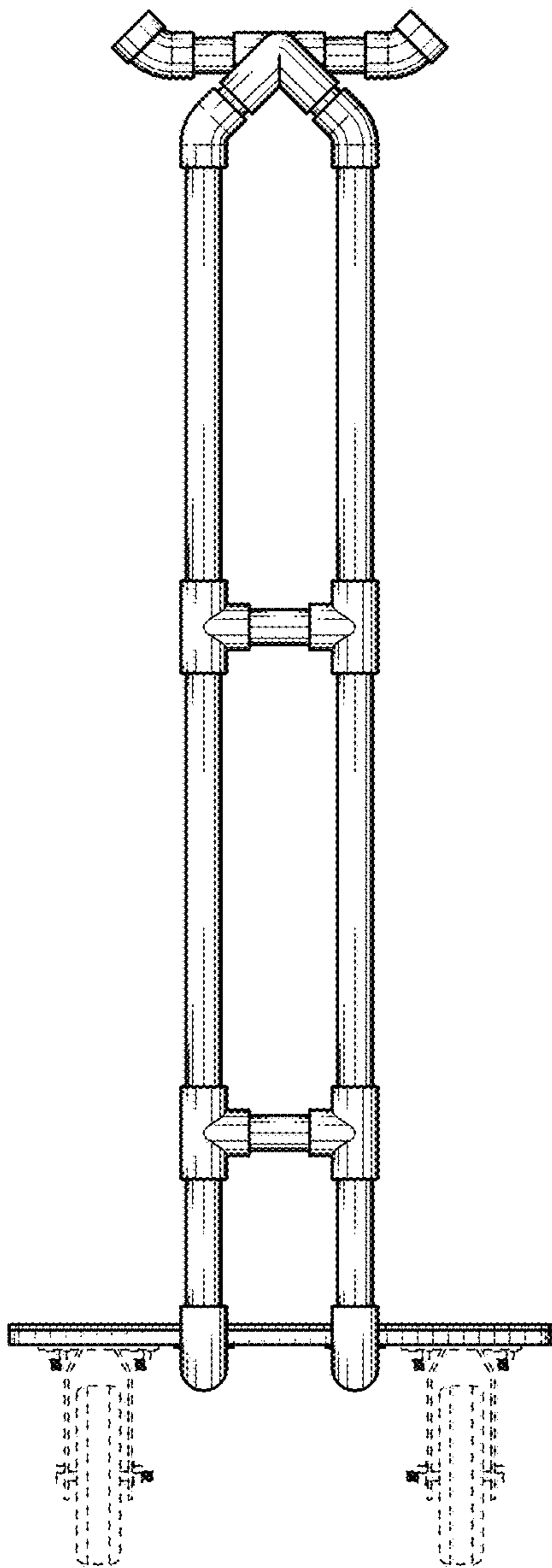


FIG. 2

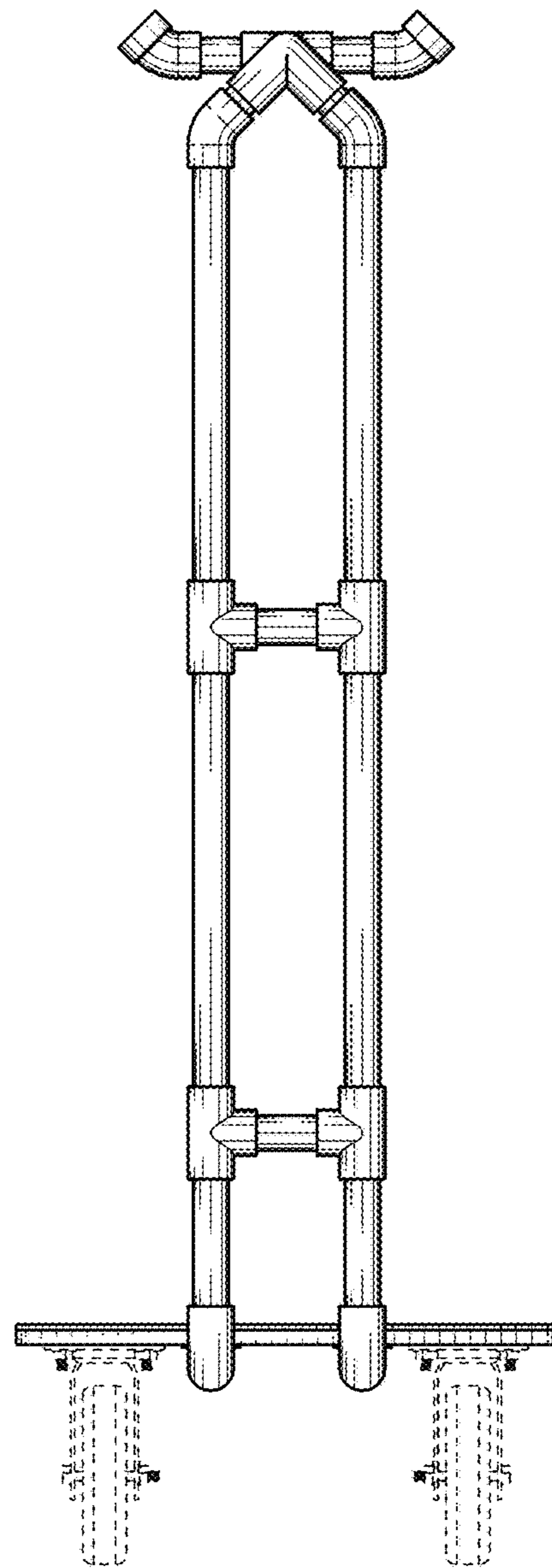


FIG. 3

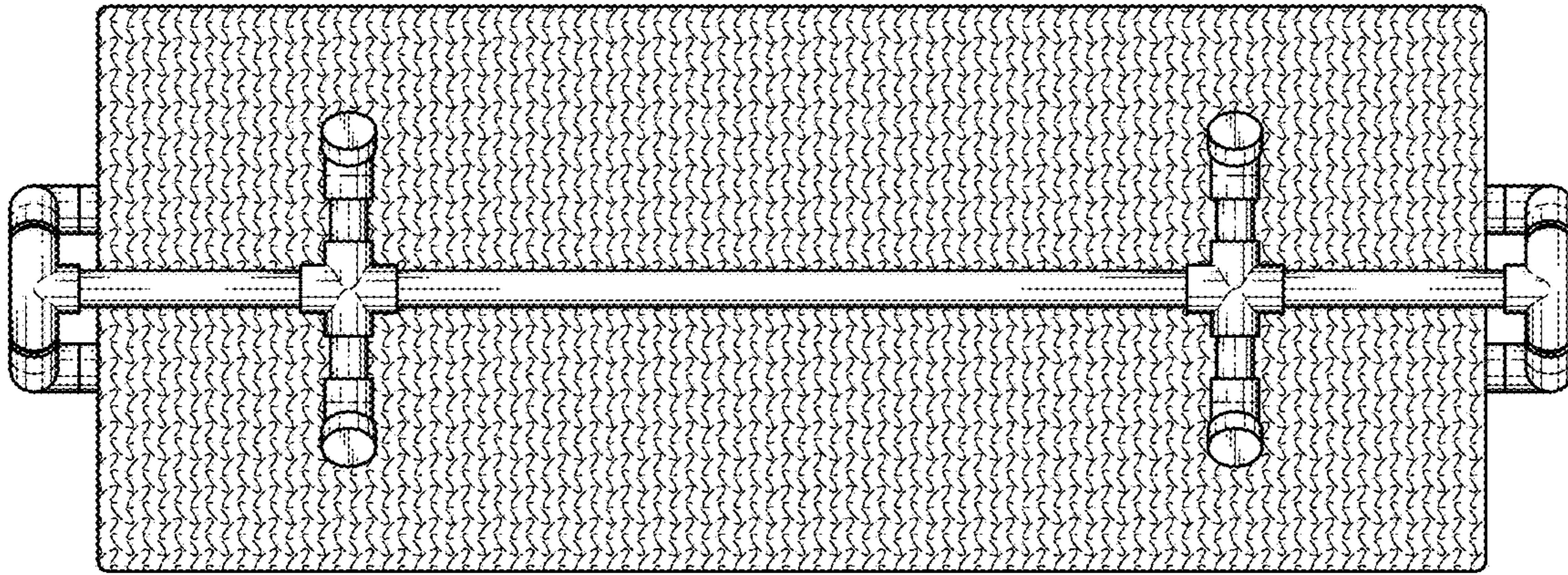


FIG. 4

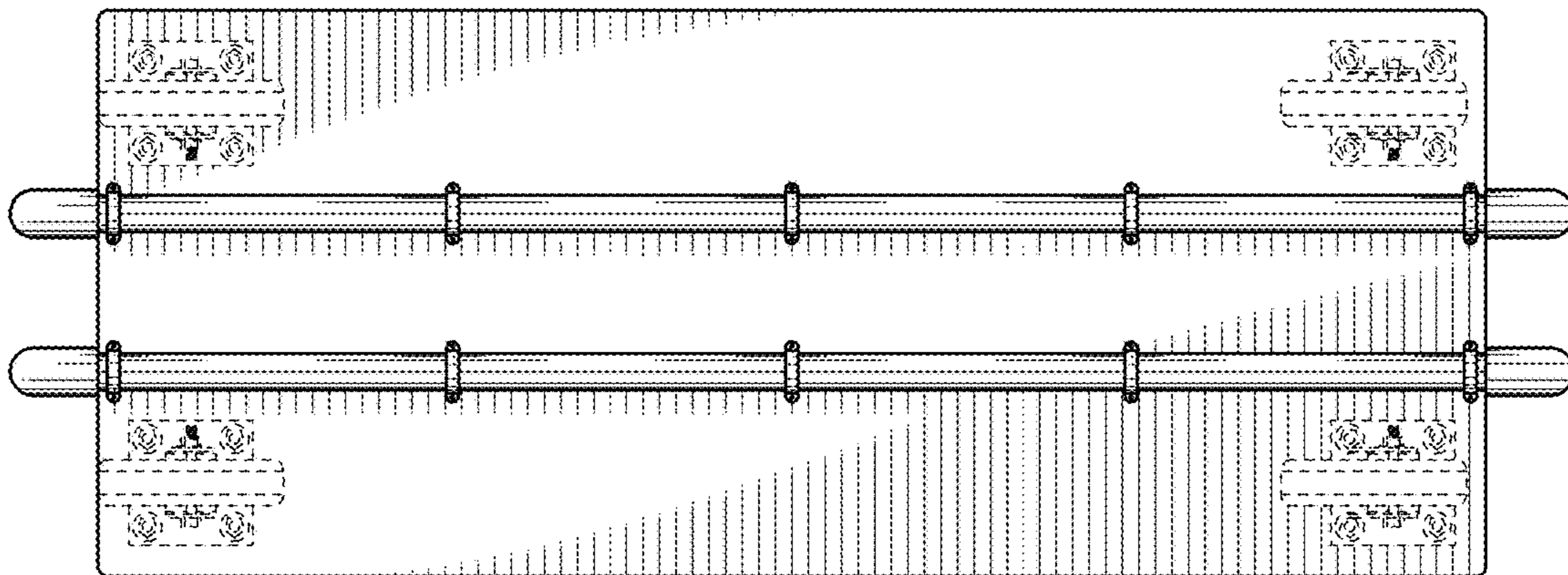


FIG. 5

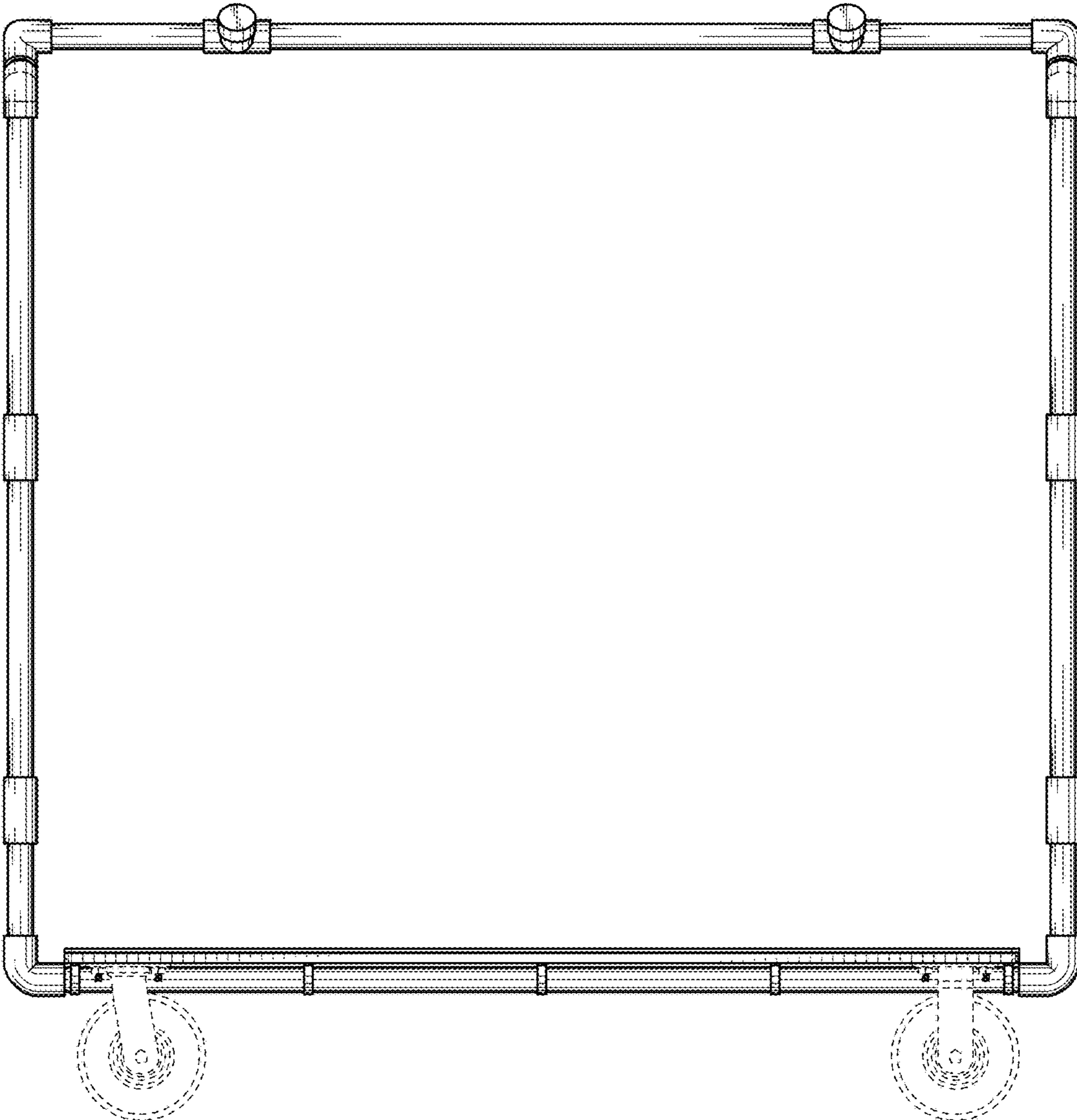


FIG. 6

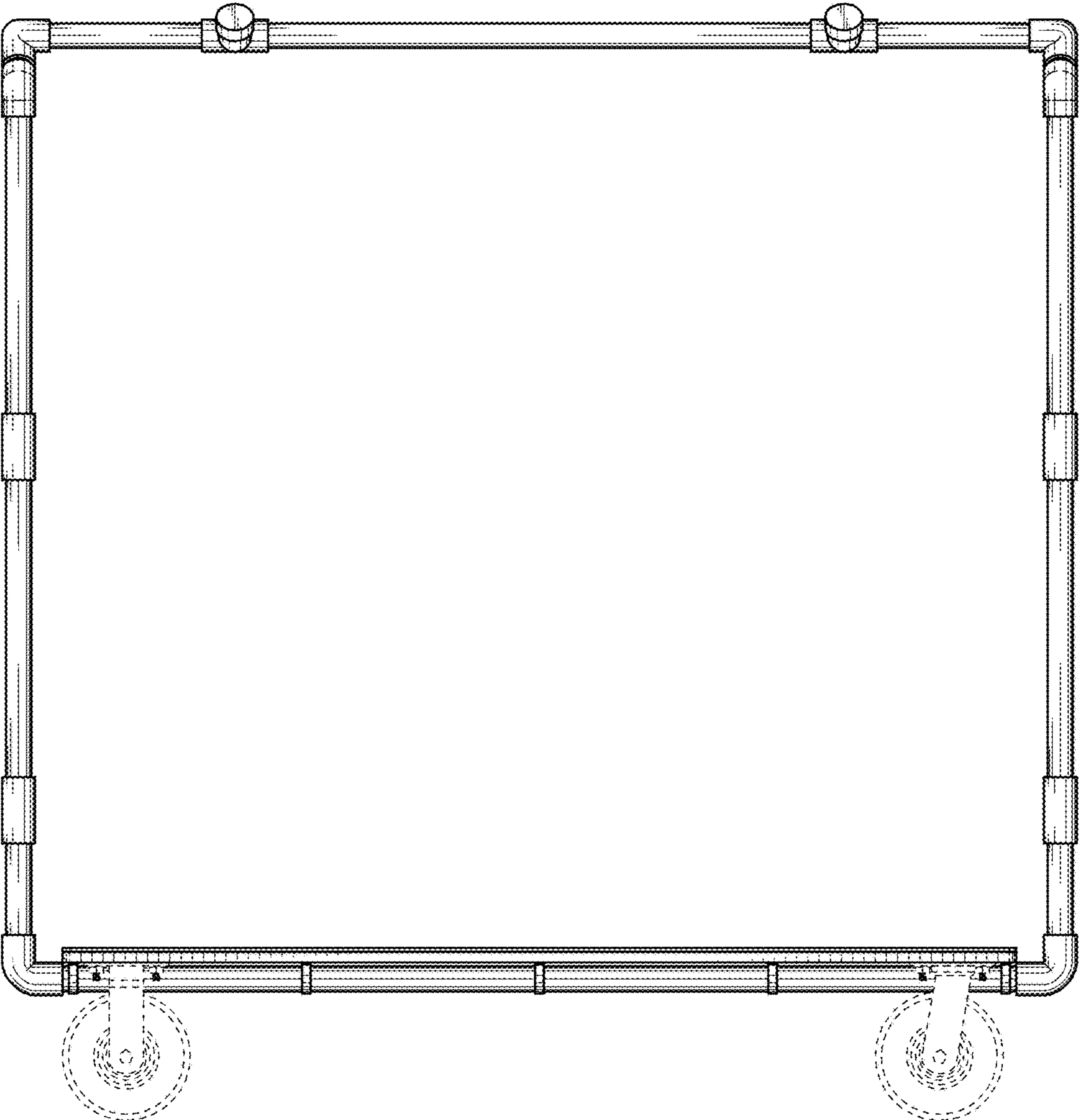


FIG. 7