



US00D811681S

(12) **United States Design Patent** (10) **Patent No.:** **US D811,681 S**  
**Hellander et al.** (45) **Date of Patent:** **\*\* Feb. 27, 2018**

(54) **WHEELBARROW** 3,722,904 A \* 3/1973 Puckett ..... B62B 1/208  
280/47.31  
(71) Applicant: **BEARZALL, LLC**, Wanship, UT (US) 4,061,349 A 12/1977 Stahl  
4,335,897 A 6/1982 Muller  
4,471,996 A 9/1984 Primeau  
(72) Inventors: **Jon Hellander**, Wanship, UT (US); 4,758,010 A 7/1988 Christie  
**Brent Anderson**, Peterson, UT (US) 5,033,760 A \* 7/1991 Evans ..... B62B 1/20  
280/47.26  
(73) Assignee: **BEARZALL, LLC**, Wanship, UT (US) 5,088,751 A 2/1992 Zint  
5,106,113 A 4/1992 Piacentini  
D329,726 S 9/1992 Travis  
(\*\*) Term: **15 Years** 5,149,116 A \* 9/1992 Donze ..... B62B 1/20  
280/47.26  
(21) Appl. No.: **29/561,036** 5,222,757 A 6/1993 Magyar  
(Continued)

(22) Filed: **Apr. 12, 2016**  
(51) **LOC (11) Cl.** ..... **12-02**  
(52) **U.S. Cl.**  
USPC ..... **D34/16**  
(58) **Field of Classification Search**  
USPC ..... D34/12, 15, 16; 280/653, 654, 655,  
280/87.01, 47.34, 47.35  
CPC ..... B62B 1/208; B62B 1/206; B62B 1/18;  
B62B 1/20; B62B 1/186; B62B 1/12;  
B62B 1/125; B62B 1/065  
See application file for complete search history.

**FOREIGN PATENT DOCUMENTS**

FR 2860478 2/2006  
WO WO 2011/074458 6/2011

*Primary Examiner* — Cynthia Ramirez  
(74) *Attorney, Agent, or Firm* — Pate Peterson PLLC;  
Brett Peterson

(57) **CLAIM**

The ornamental design for a wheelbarrow, as shown and described.

**DESCRIPTION**

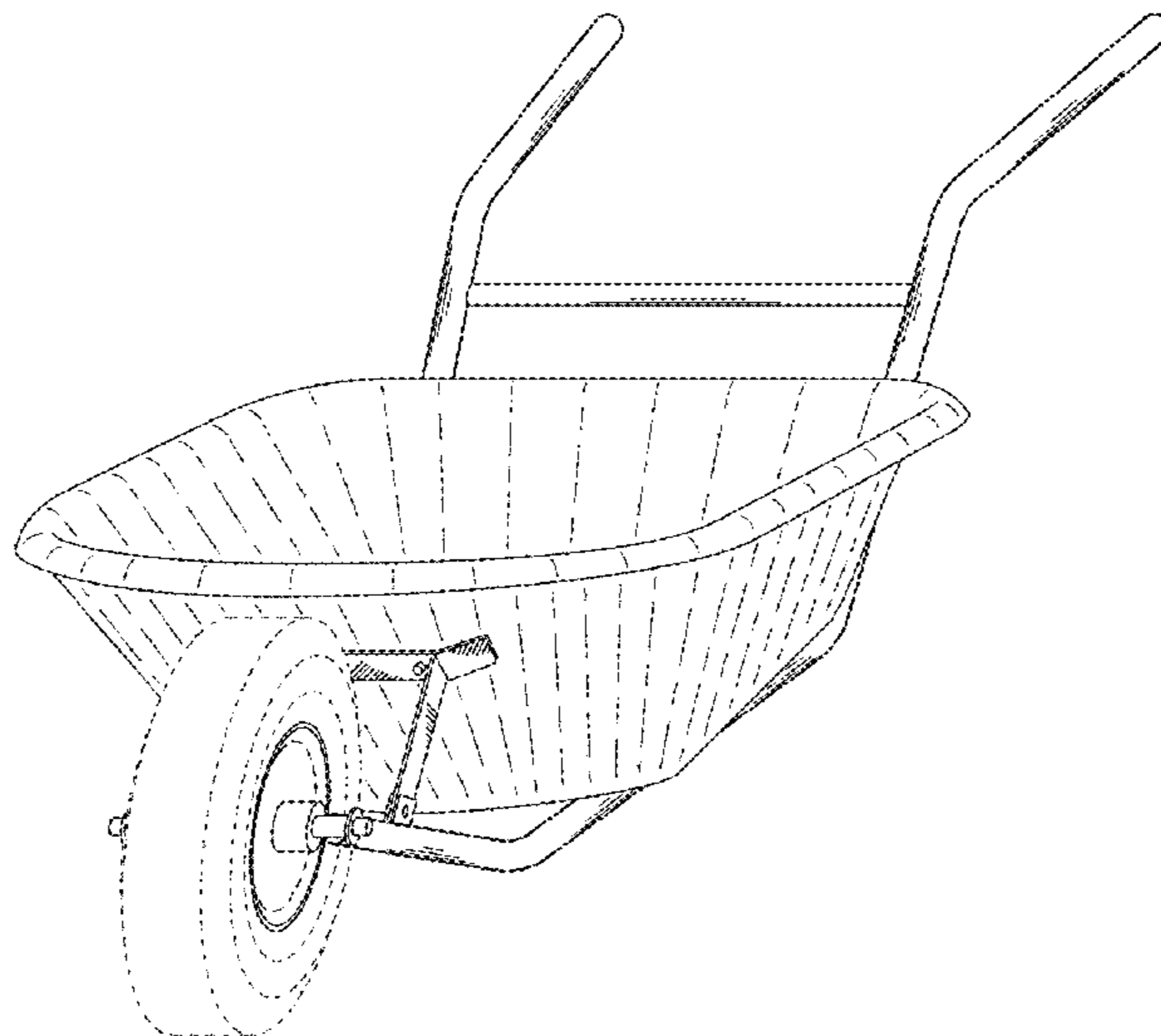
FIG. 1 is a perspective view of a wheelbarrow showing our new design;  
FIG. 2 is a top view thereof;  
FIG. 3 is a bottom view thereof;  
FIG. 4 is a front view thereof;  
FIG. 5 is a back view thereof;  
FIG. 6 is a left side view thereof; and,  
FIG. 7 is a right side view thereof.  
The broken lines shown in the drawings are included for the purpose of illustrating unclaimed portions of the wheelbarrow and form no part of the claimed design.

**1 Claim, 7 Drawing Sheets**

(56) **References Cited**

**U.S. PATENT DOCUMENTS**

362,868 A 5/1887 Roberts  
638,106 A 11/1899 Freed  
752,725 A 2/1904 Tierman  
817,677 A 4/1906 Smith  
1,014,475 A 1/1912 Holloway  
1,202,601 A 10/1916 Snyder  
D163,280 S 5/1951 Harrison  
2,571,595 A 10/1951 McLeary  
2,660,446 A 11/1953 Edhardt  
2,707,351 A 5/1955 Walker  
3,064,990 A 11/1962 Salvucci  
3,552,760 A \* 1/1971 Sine ..... B62B 1/208  
280/47.31  
3,647,236 A 3/1972 Hayes



(56)

References Cited

U.S. PATENT DOCUMENTS

5,465,801 A *	11/1995	Hoover	.....	B62D 51/065	D577,174 S *	9/2008	Schneider	.....	D34/16
				180/13	D577,475 S *	9/2008	Schneider	.....	D34/16
5,472,220 A	12/1995	Stephan			D582,622 S *	12/2008	Schneider	.....	D34/16
5,758,887 A	6/1998	Bobst			D589,852 S	4/2009	Giampavolo		
D404,534 S *	1/1999	Dickson	.....	D34/16	7,549,648 B2	6/2009	Girard et al.		
5,884,924 A	3/1999	Fairchild et al.			7,575,241 B1	8/2009	Keller		
6,148,963 A	11/2000	Canfield			D613,923 S	4/2010	Ludlow		
6,209,891 B1	4/2001	Herrmann			7,845,654 B2	12/2010	Price		
6,315,310 B1	11/2001	Hurt			7,950,687 B2	5/2011	Ludlow		
6,415,880 B1	7/2002	Strothmann			D639,522 S	6/2011	Aragon		
6,419,246 B1	7/2002	Neal			D675,804 S	2/2013	Albert et al.		
D461,613 S *	8/2002	Schaefer, III	.....	D34/16	D732,784 S	6/2015	Halsted		
6,488,293 B1	12/2002	Mitchell et al.			D754,414 S *	4/2016	Lear	.....	D34/16
6,764,093 B2	7/2004	Allsop et al.			2003/0097772 A1	5/2003	Christensen		
D501,974 S	2/2005	Lawson et al.			2004/0041361 A1	3/2004	Lim		
6,902,184 B2	6/2005	Hsu			2005/0275176 A1	12/2005	Jessop		
7,243,939 B2	7/2007	Lowe			2007/0158922 A1	7/2007	Mullen et al.		
D574,121 S	7/2008	Song et al.			2009/0179393 A1	7/2009	Ludlow		
					2010/0201091 A1	8/2010	Easterling		
					2013/0200582 A1	8/2013	Feick		

\* cited by examiner

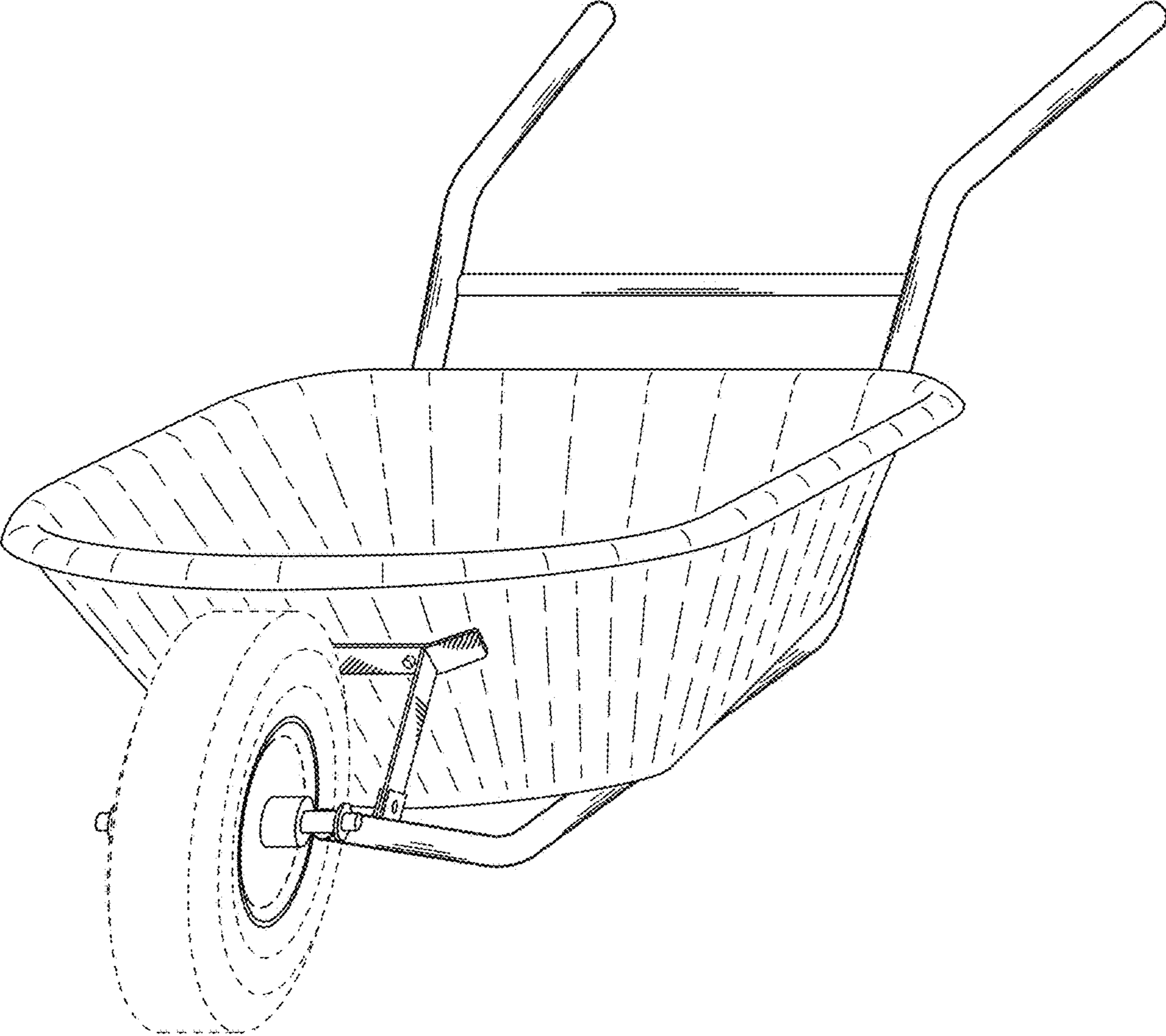


FIG 1

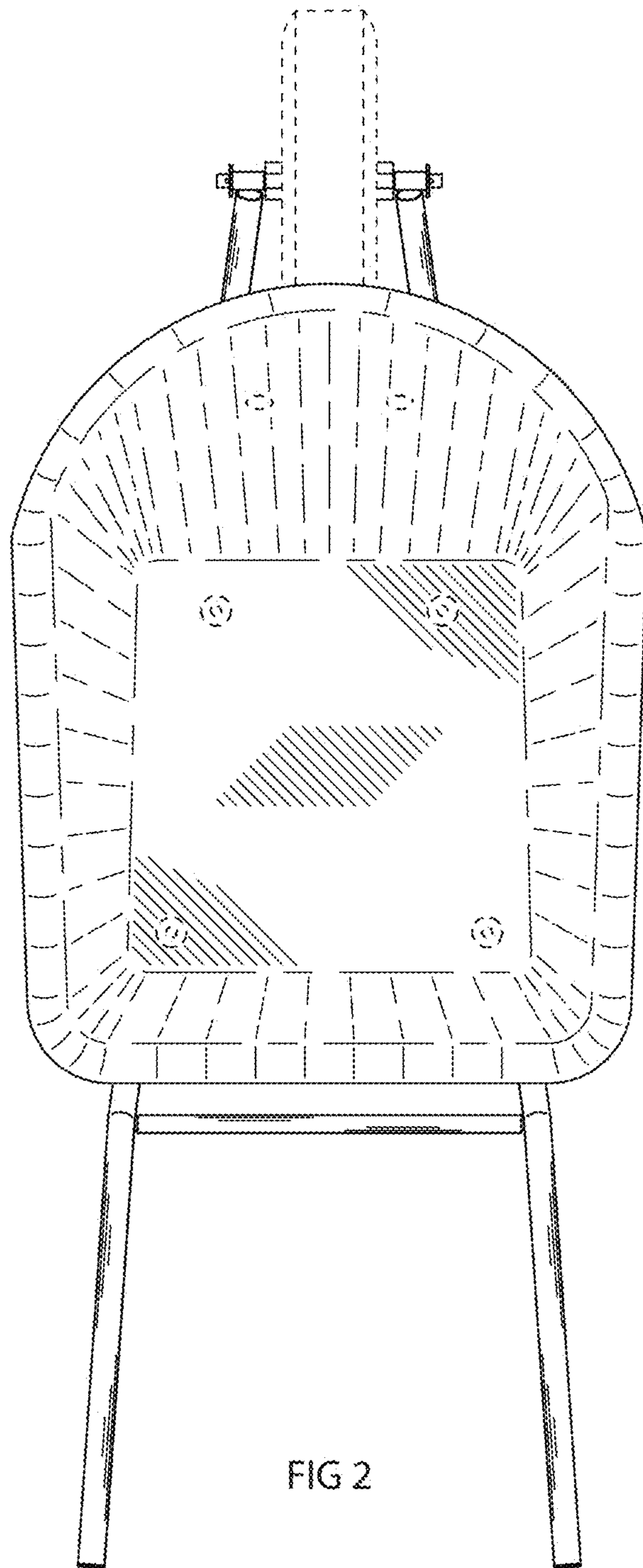
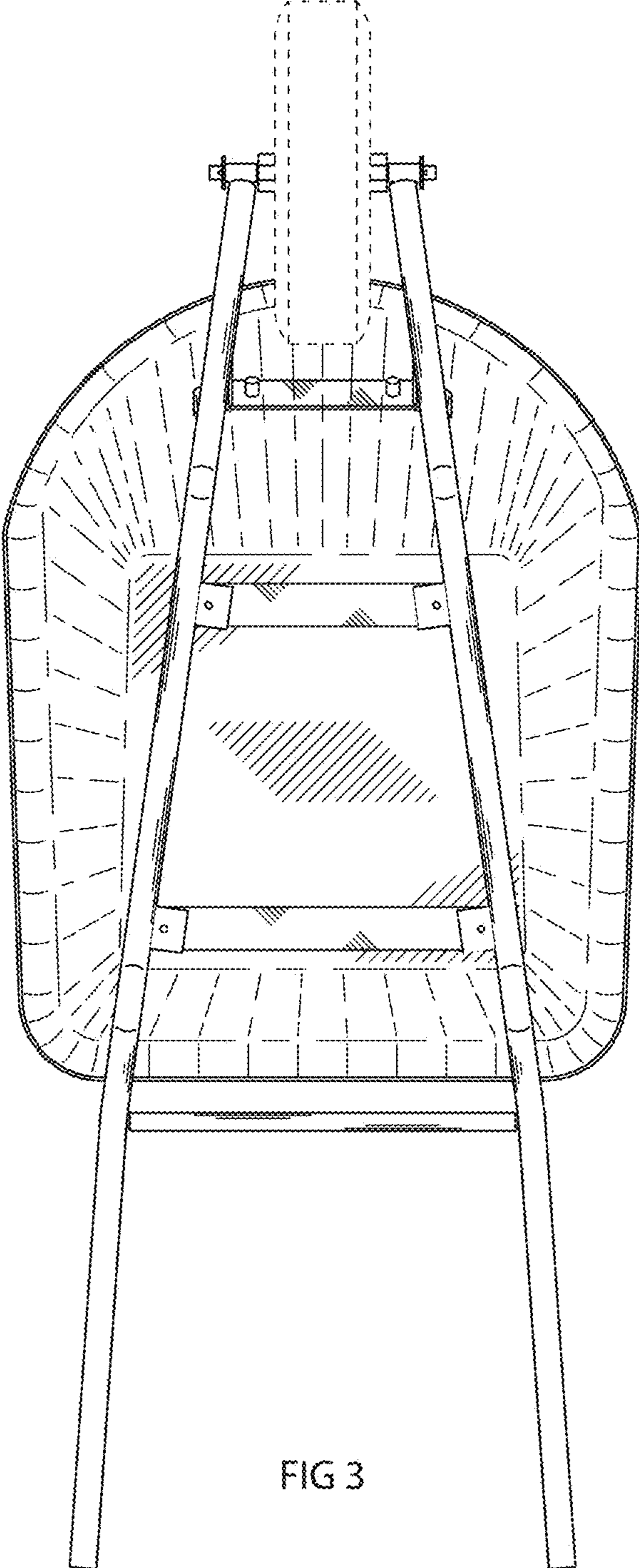


FIG 2



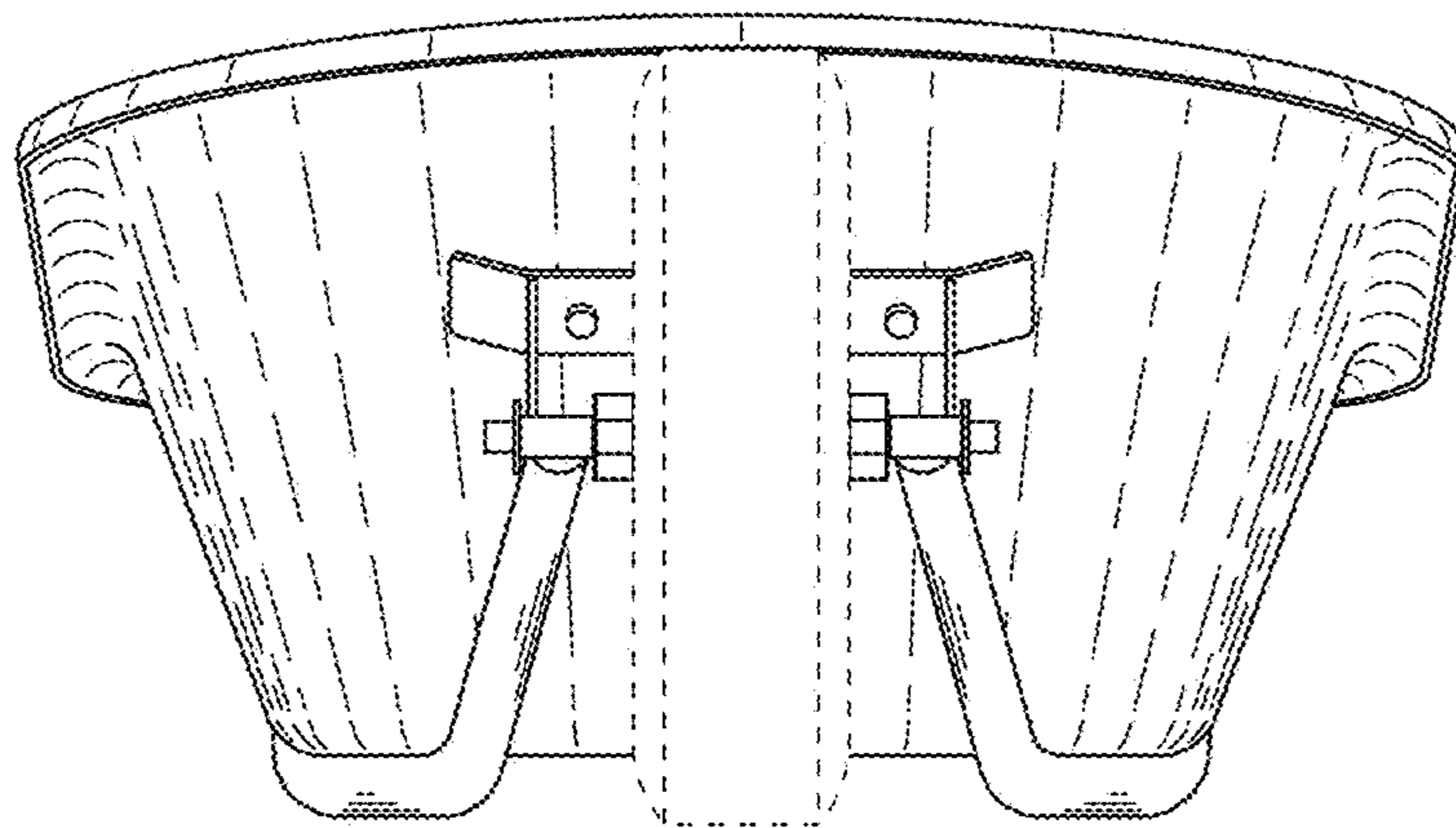


FIG 4

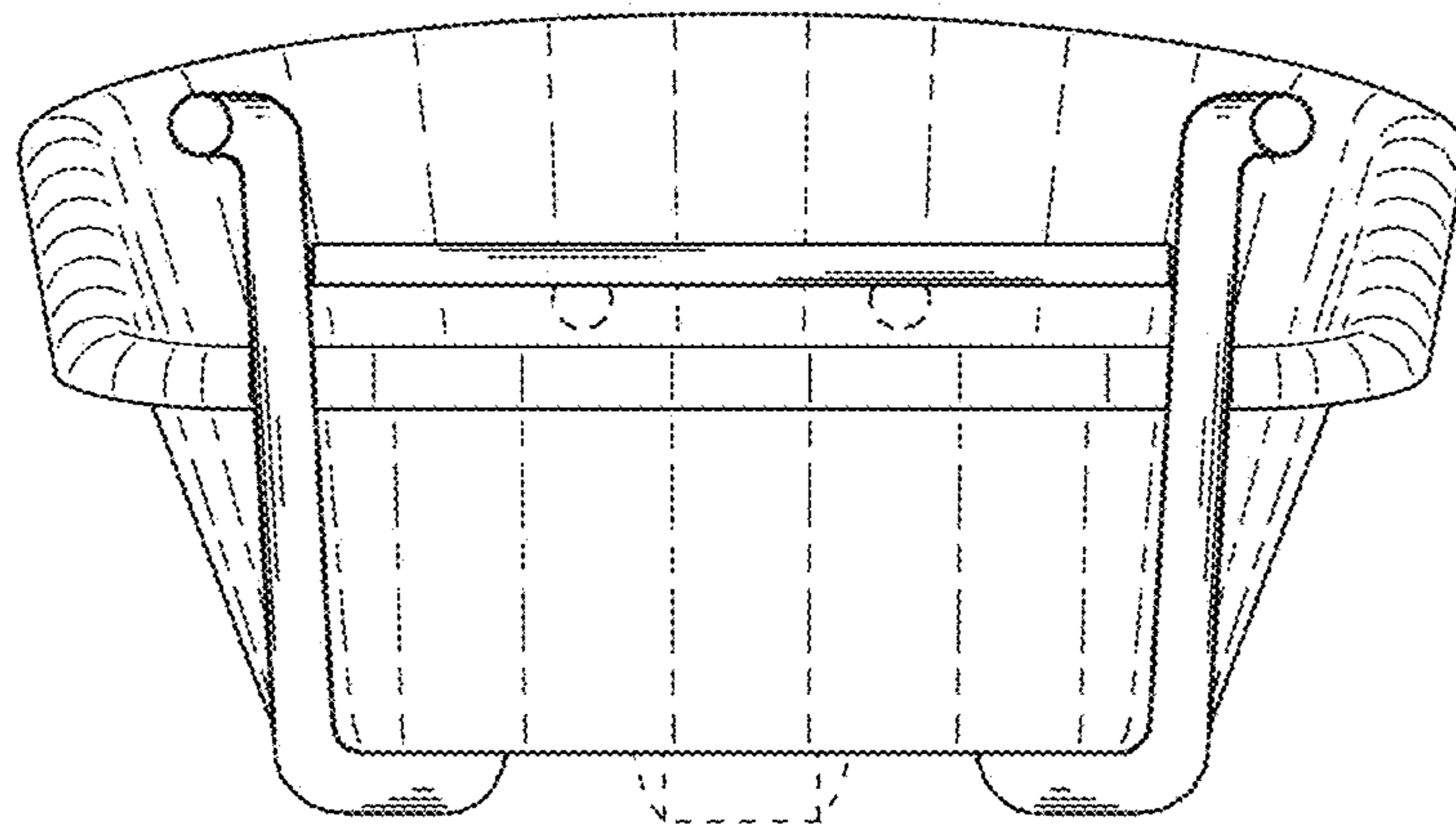


FIG 5

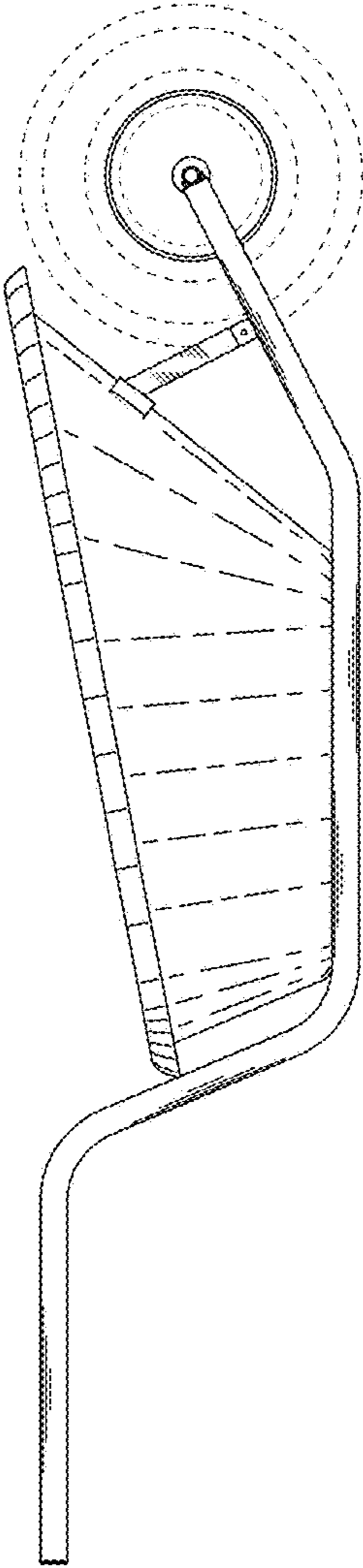


FIG 6



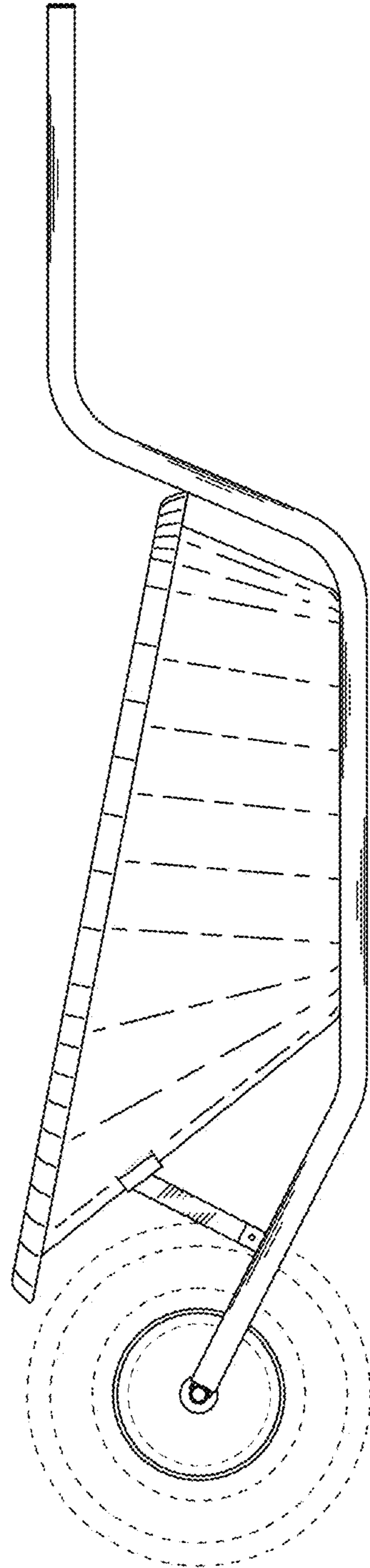


FIG 7