



US00D811680S

(12) **United States Design Patent** (10) **Patent No.:** **US D811,680 S**
Dumas et al. (45) **Date of Patent:** **** *Feb. 27, 2018**

- (54) **WHEELBARROW** 6,065,555 A * 5/2000 Yuki B62B 5/0026
180/19.1
- (71) Applicants: **Philip John Dumas**, Sylvania (AU); 8,869,922 B1 * 10/2014 Isola B62B 5/003
Benjamin Mark Green, Bilambil 180/19.1
Heights (AU) 9,120,499 B2 * 9/2015 Michel, Jr. B62B 1/18
D754,414 S * 4/2016 Lear D34/16
- (72) Inventors: **Philip John Dumas**, Sylvania (AU); 2005/0087958 A1 * 4/2005 Tomchak B62B 1/20
Benjamin Mark Green, Bilambil 280/653
Heights (AU) 2005/0104334 A1 * 5/2005 Conaway B62B 1/208
280/653
- (73) Assignee: **ERGO MATE PTY LTD**, 2007/0114765 A1 * 5/2007 Leger B62B 1/208
Indooroopilly (AU) 280/653
2011/0272924 A1 * 11/2011 Kilen B62B 1/24
280/653

(*) Notice: This patent is subject to a terminal disclaimer.

* cited by examiner

(**) Term: **14 Years**

Primary Examiner — Cynthia Ramirez

(21) Appl. No.: **29/521,322**

(74) Attorney, Agent, or Firm — Kirton McConkie; Evan R. Witt

(22) Filed: **Mar. 23, 2015**

(30) **Foreign Application Priority Data**

Sep. 24, 2014 (AU) 201414870

(51) **LOC (11) Cl.** **12-02**

(52) **U.S. Cl.**
USPC **D34/16**

(58) **Field of Classification Search**
USPC D34/12-27; 280/653, 654, 655, 87.01,
280/47.34, 47.35
CPC .. B62B 1/20; B62B 1/186; B62B 1/12; B62B
1/125
See application file for complete search history.

(56) **References Cited**

U.S. PATENT DOCUMENTS

- 2,253,288 A * 8/1941 De Lucchi B62B 1/18
180/19.1
- 5,121,970 A * 6/1992 Andersen B62B 1/24
280/47.31

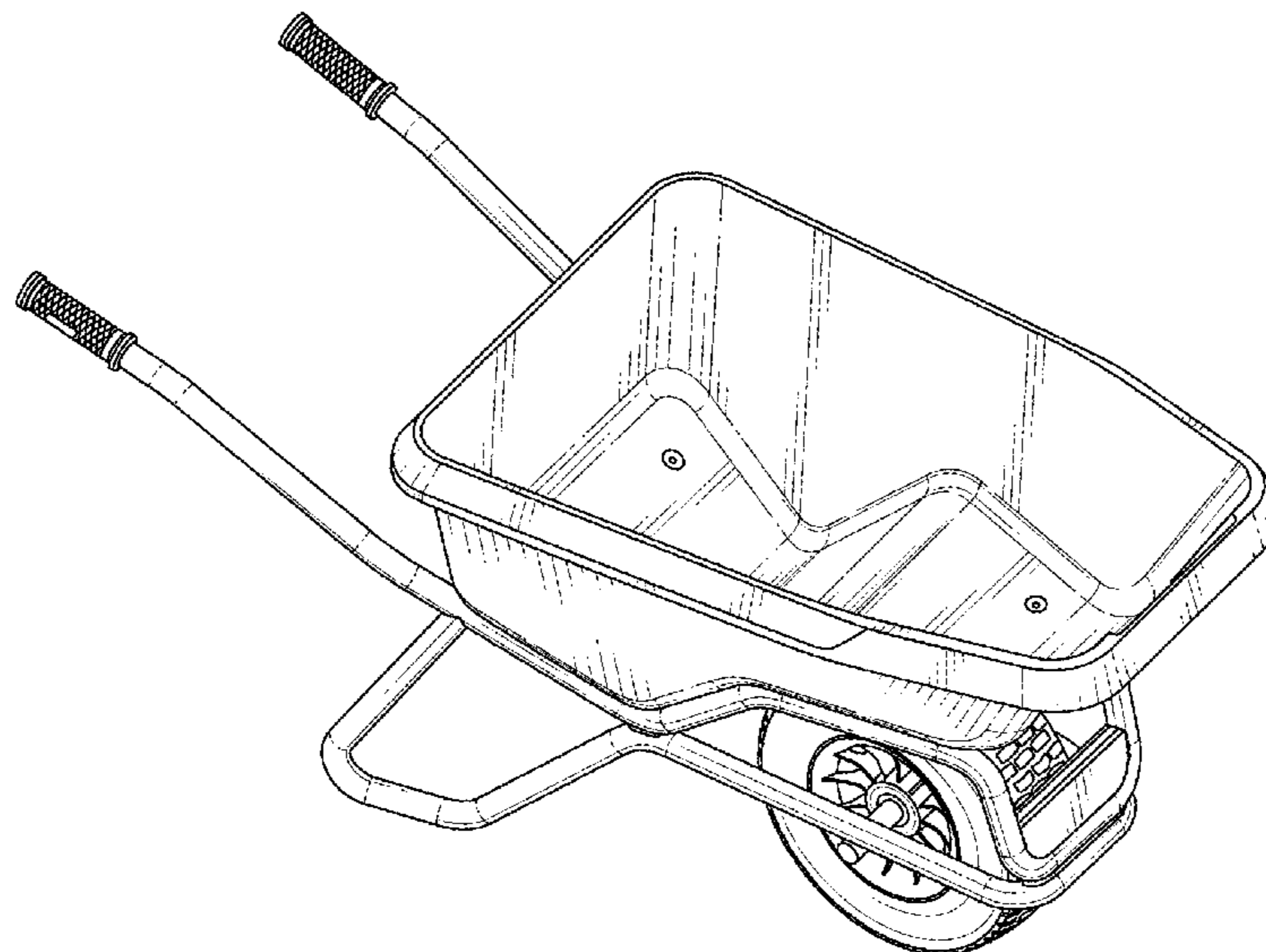
(57) **CLAIM**

The ornamental design for a wheelbarrow, as shown and described.

DESCRIPTION

FIG. 1 is a perspective view showing my new design for a wheelbarrow;
FIG. 2 is a front view thereof;
FIG. 3 is a rear view thereof;
FIG. 4 is a left side view thereof, the right side view being a mirror image thereof;
FIG. 5 is a top view thereof;
FIG. 6 is a bottom view thereof; and,
FIG. 7 is perspective bottom view thereof.
The broken lines in the figures represent portions of the wheelbarrow that form no part of the claimed design.

1 Claim, 6 Drawing Sheets



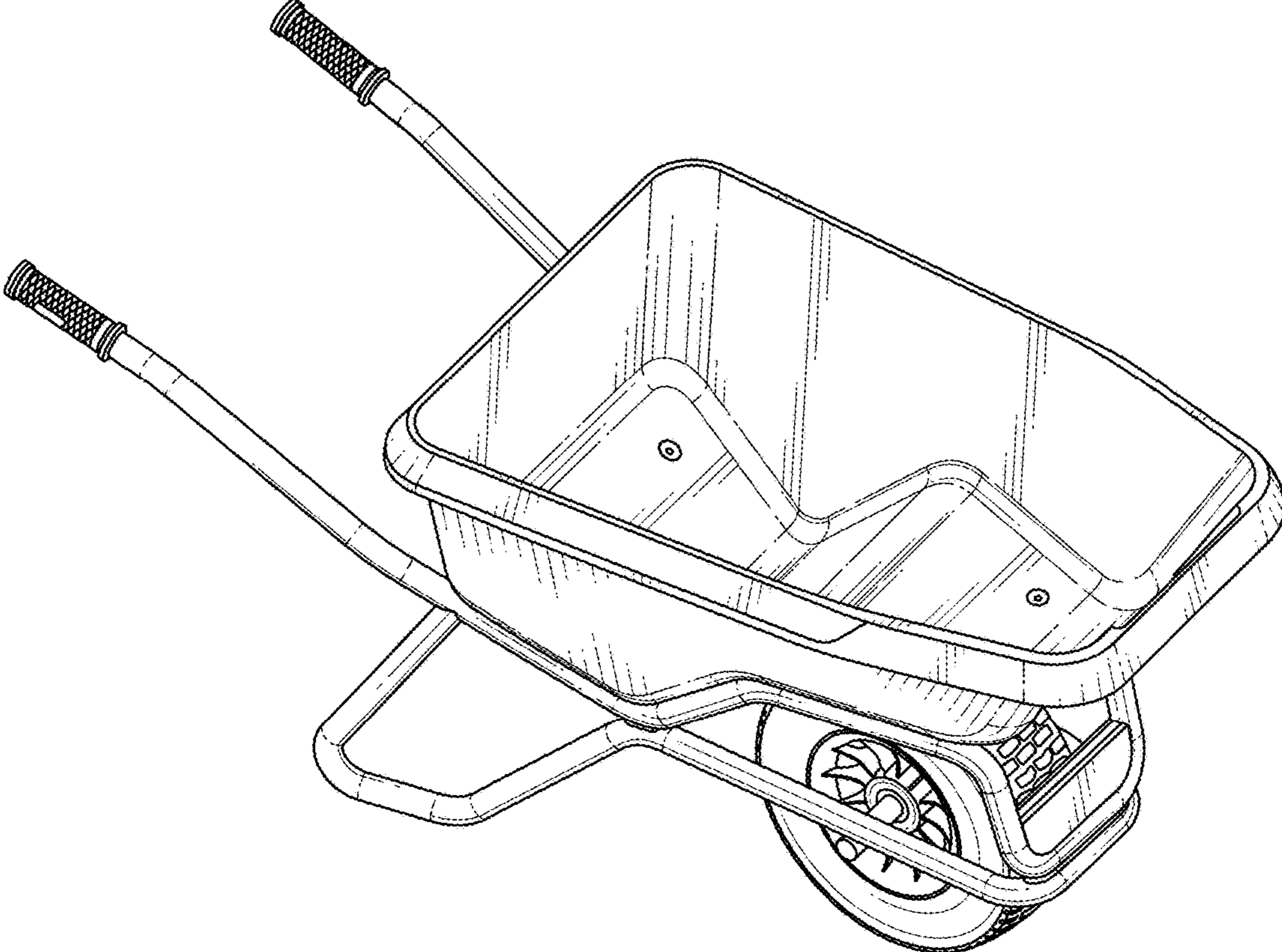


FIG. 1

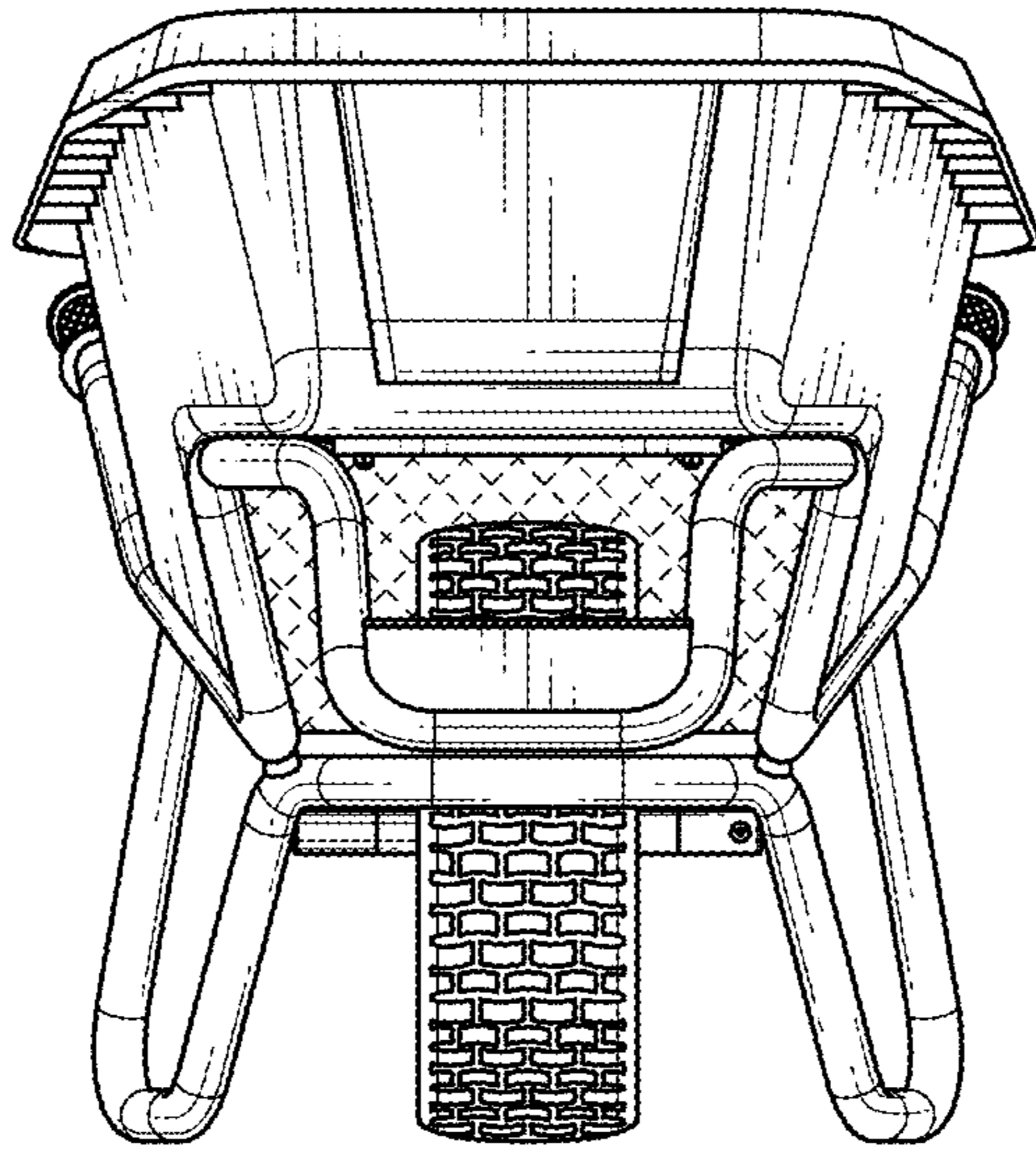


FIG. 2

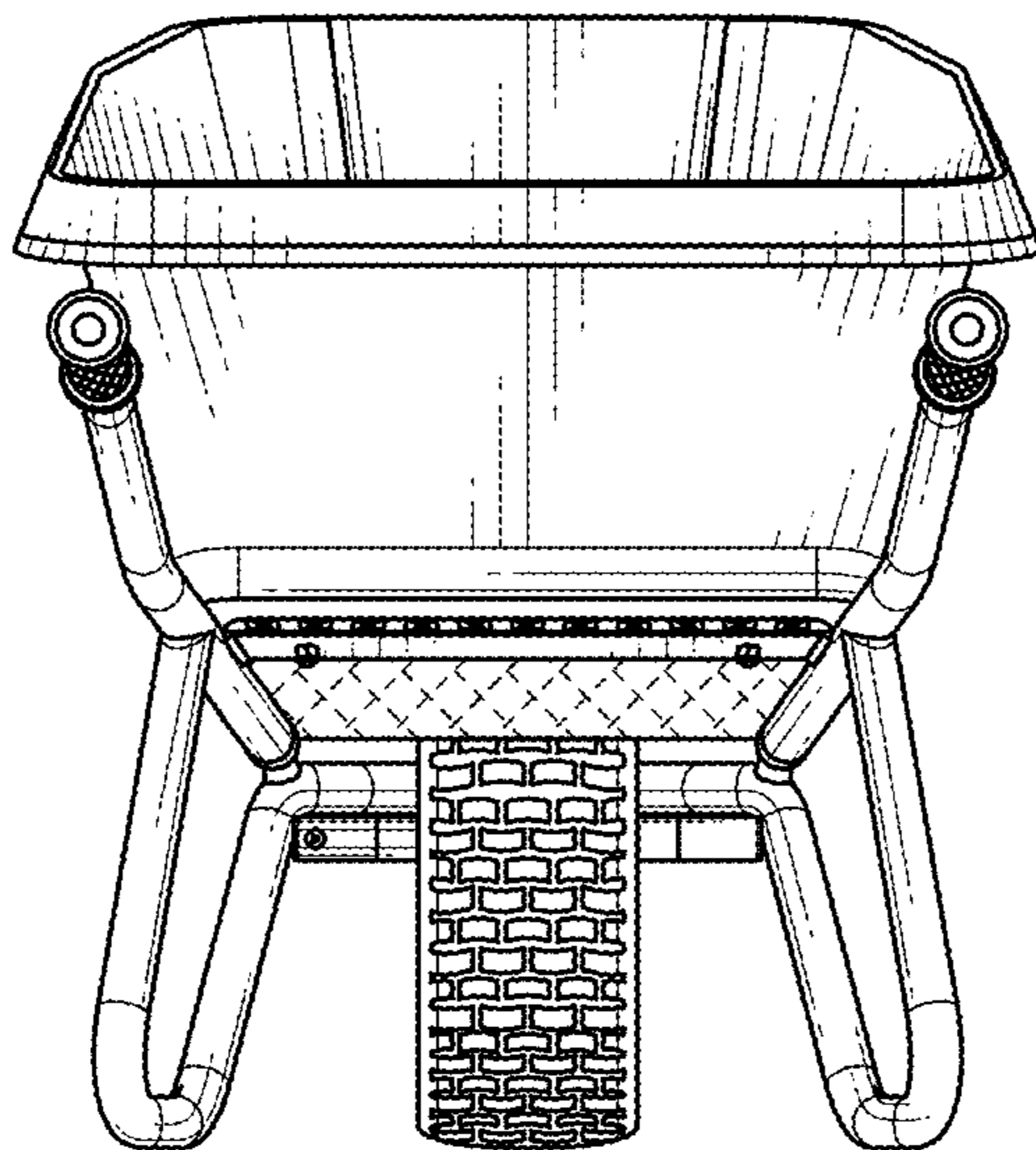


FIG. 3

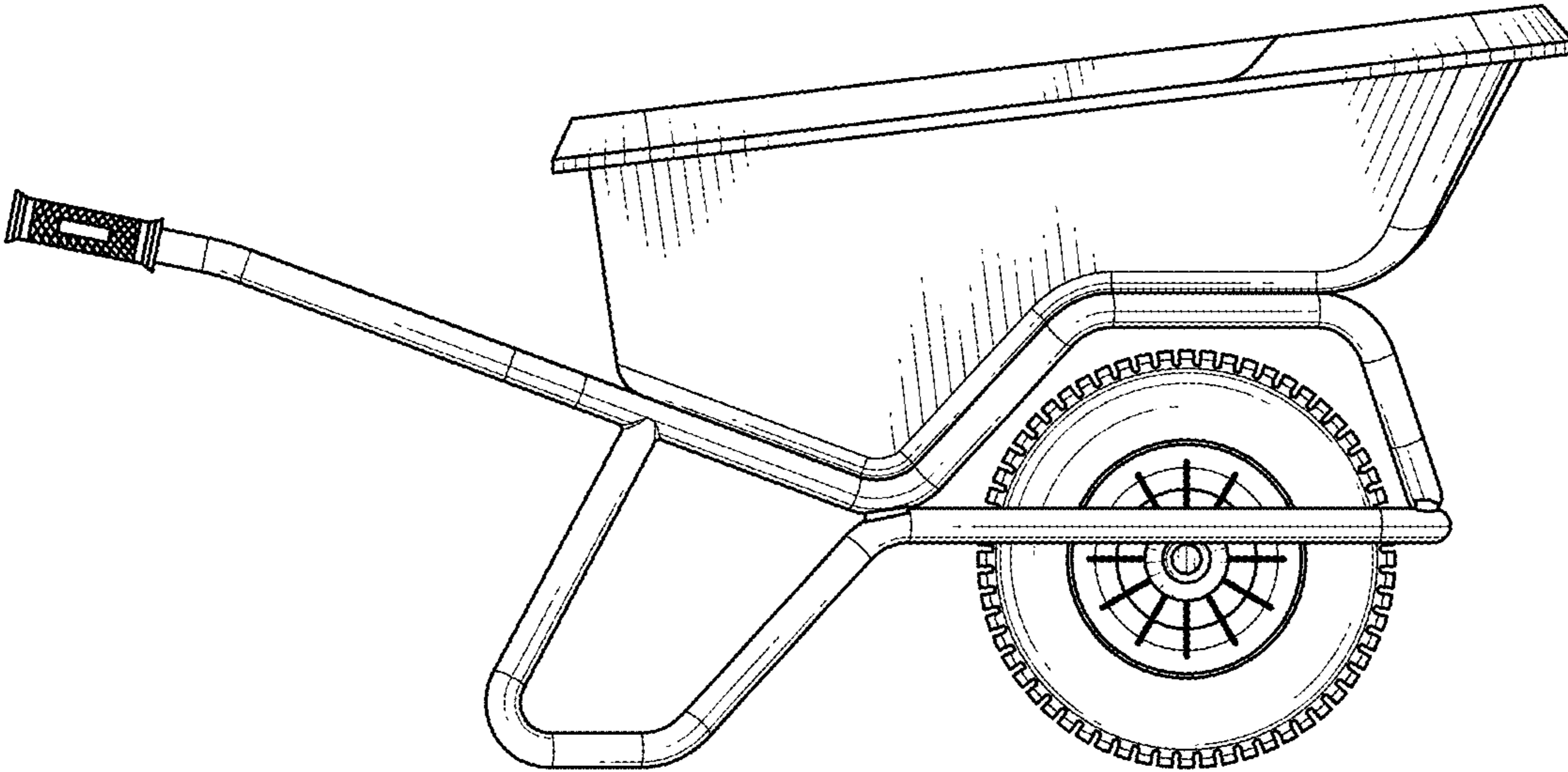


FIG. 4

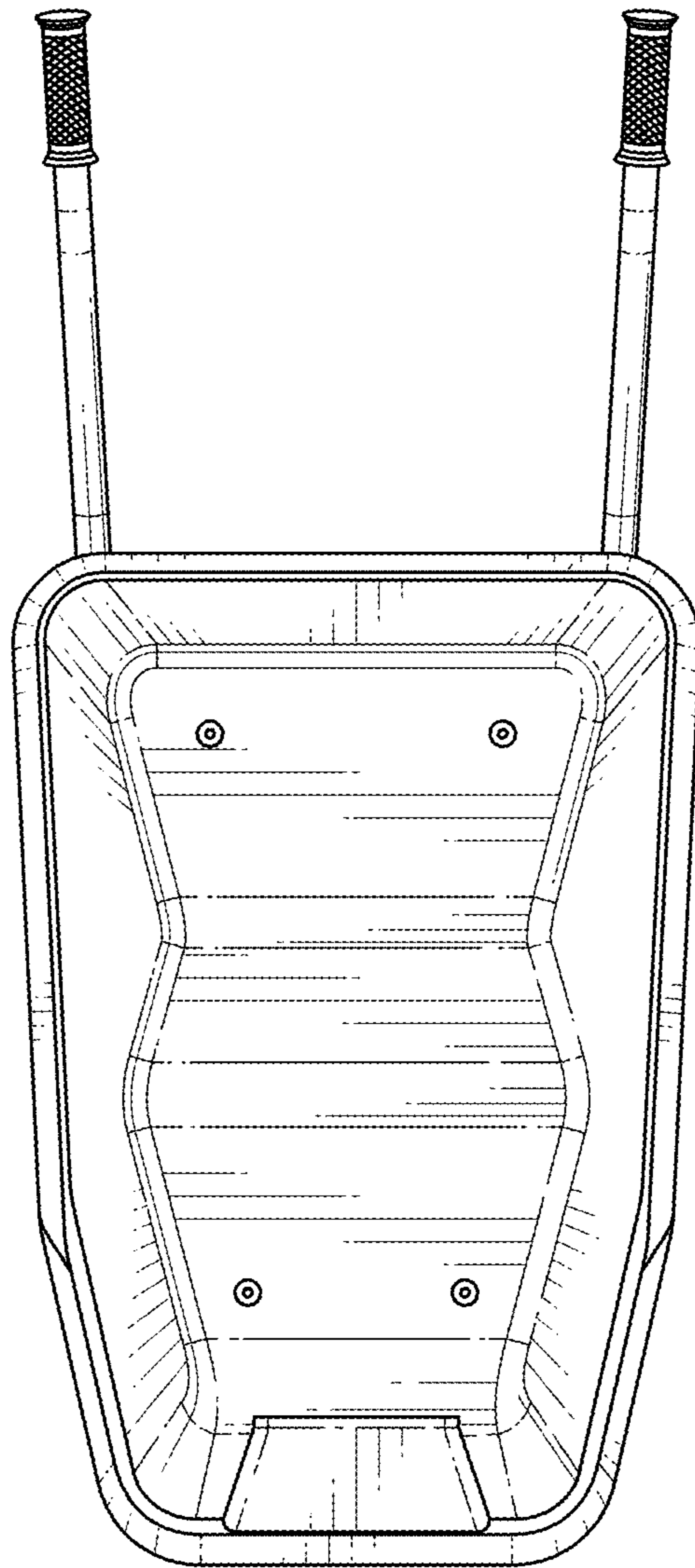


FIG. 5

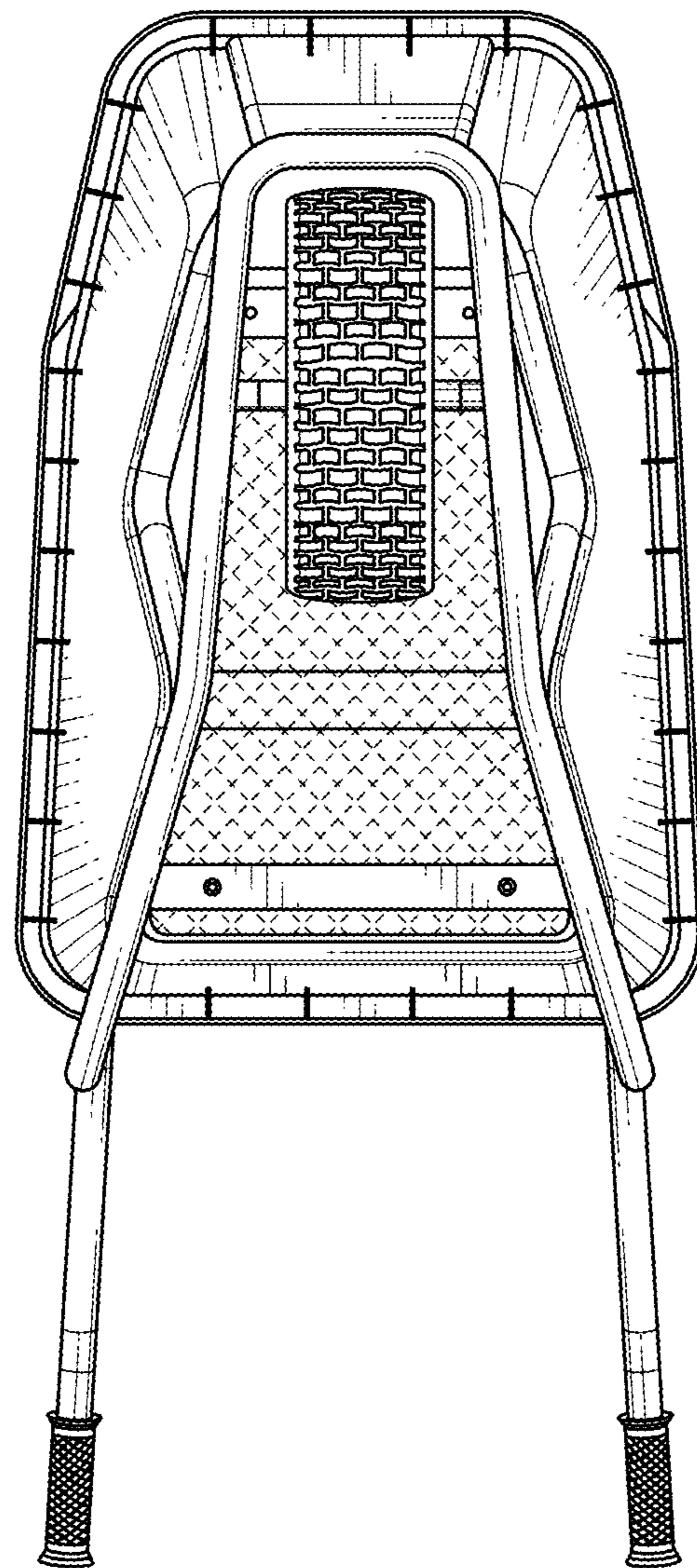


FIG. 6

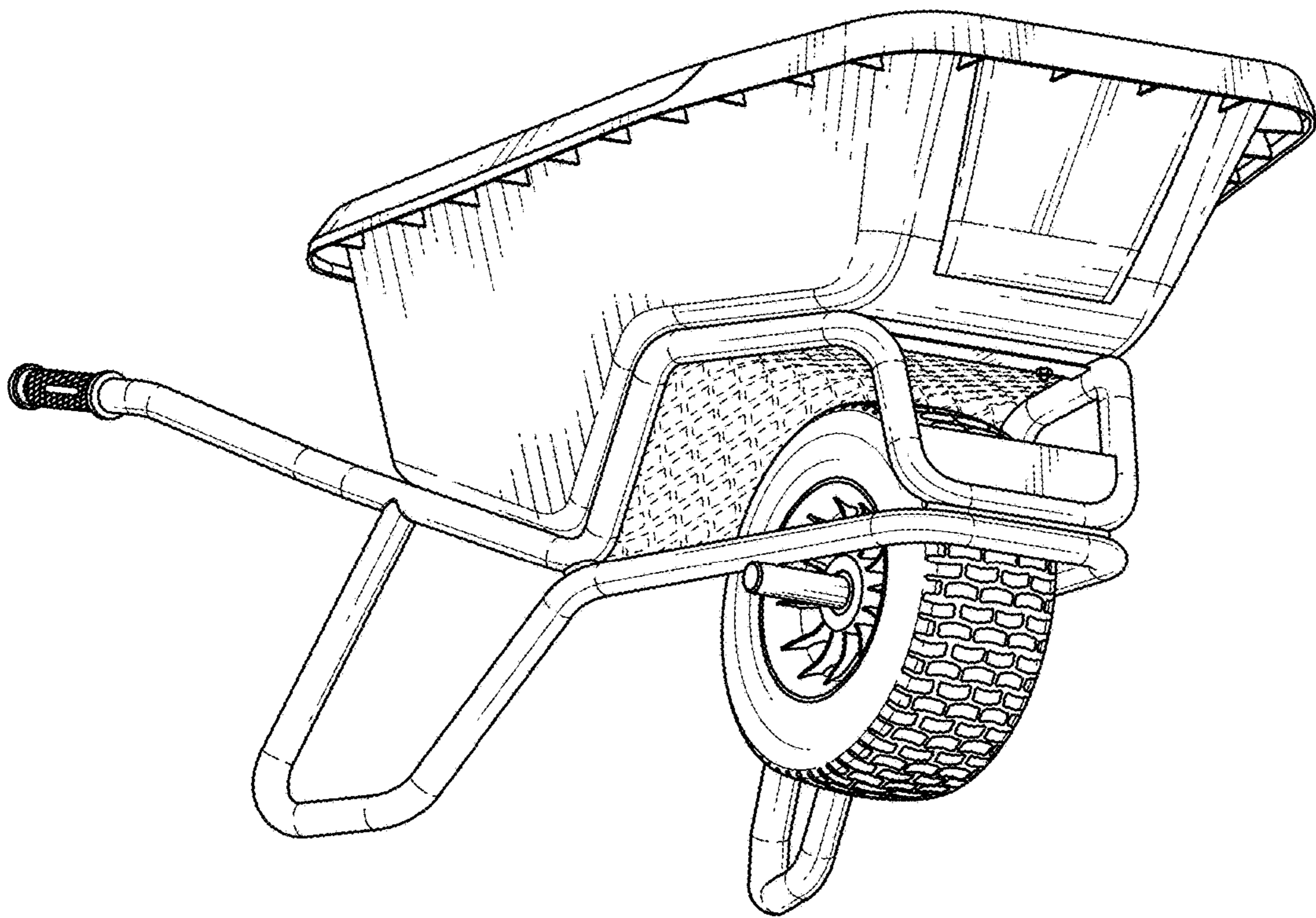


FIG. 7