



US00D811675S

(12) **United States Design Patent**
Goodman et al.

(10) **Patent No.:** **US D811,675 S**
(45) **Date of Patent:** **** Feb. 27, 2018**

- (54) **SINK CRADLE**
- (71) Applicant: **Spectrum Diversified Designs, LLC**,
Streetsboro, OH (US)
- (72) Inventors: **Aaron Goodman**, Beachwood, OH
(US); **Xuemei Yuan**, Stow, OH (US)
- (73) Assignee: **Spectrum Diversified Designs, LLC**,
Streetsboro, OH (US)
- (**) Term: **15 Years**
- (21) Appl. No.: **29/596,788**
- (22) Filed: **Mar. 10, 2017**
- (51) **LOC (11) Cl.** **07-05**
- (52) **U.S. Cl.**
USPC **D32/55**
- (58) **Field of Classification Search**
USPC D32/55, 276, 3; D6/510, 525; D30/133;
211/41.5, 41.4, 41.3, 41.8; 361/679.4;
312/311, 333, 334.4; D7/354, 629
CPC .. A47L 15/505; A47L 15/503; A47L 15/0013;
A47L 19/02; A47L 19/04; A47J 47/20
See application file for complete search history.

D635,383 S *	4/2011	Yang	D6/525
D637,850 S *	5/2011	Ghiorghie	D3/306
D675,049 S *	1/2013	Goodman	D6/513
D718,510 S *	11/2014	Goodman	D32/55
D723,760 S *	3/2015	Goodman	D32/55
D723,761 S *	3/2015	Goodman	D32/55
D731,728 S *	6/2015	Evans	D32/55
D734,818 S *	7/2015	Goodman	D19/90
D759,990 S *	6/2016	Goodman	D6/566
D762,035 S *	7/2016	Cooper	D32/55
D762,397 S *	8/2016	Goodman	D6/537
D762,934 S *	8/2016	Evans	D32/55
D773,846 S *	12/2016	Chang	D6/537

* cited by examiner

Primary Examiner — Austin Murphy

(74) *Attorney, Agent, or Firm* — Tucker Ellis LLP;
Patrick F. Clunk

(57) **CLAIM**

The ornamental design for a sink cradle, as shown and described.

DESCRIPTION

FIG. 1 is a perspective view of a sink cradle showing our new design.

FIG. 2 is a front view thereof.

FIG. 3 is a rear view thereof.

FIG. 4 is a left side view thereof.

FIG. 5 is a right side view thereof.

FIG. 6 is a top view thereof; and,

FIG. 7 is a bottom view thereof.

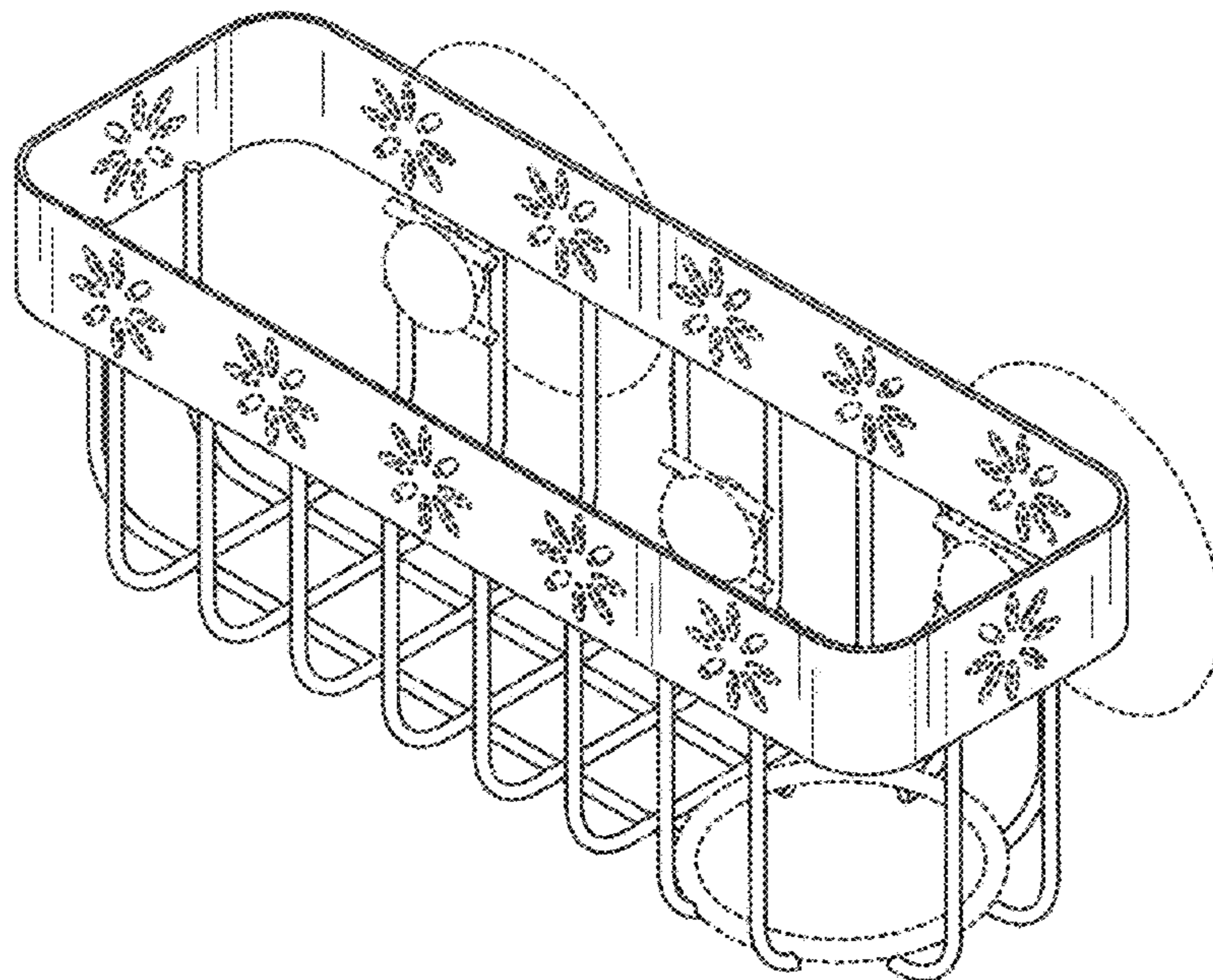
The broken lines shown herein are for illustrative purposes only and form no part of the claimed design.

1 Claim, 4 Drawing Sheets

(56) **References Cited**

U.S. PATENT DOCUMENTS

D449,480 S *	10/2001	Snell	D6/525
D453,651 S *	2/2002	Snell	D6/537
D532,234 S *	11/2006	Snell	D6/567
D563,708 S *	3/2008	Snell	D6/566
D566,919 S *	4/2008	Snell	D32/55
D612,648 S *	3/2010	Guindi	D6/525



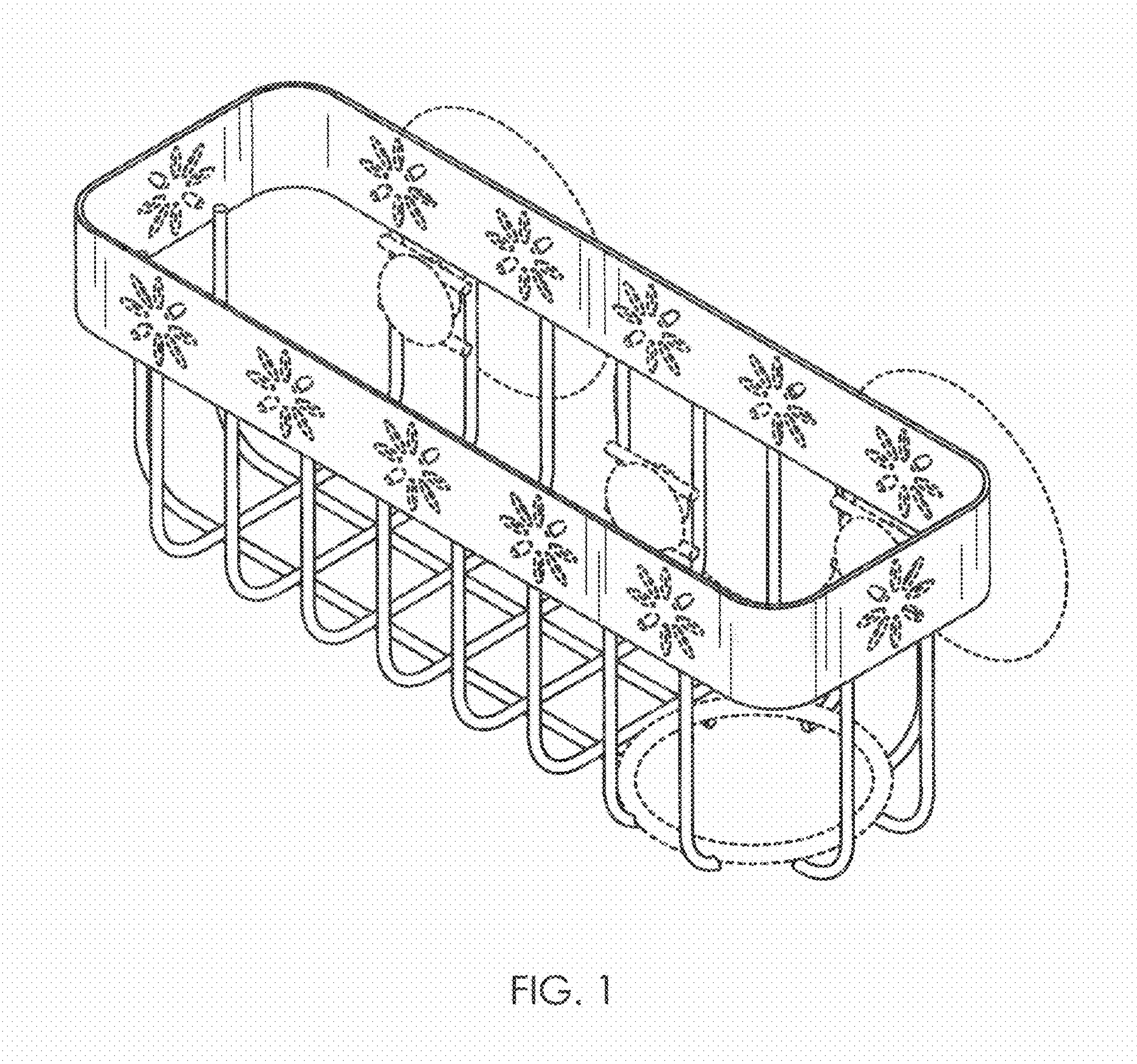


FIG. 1

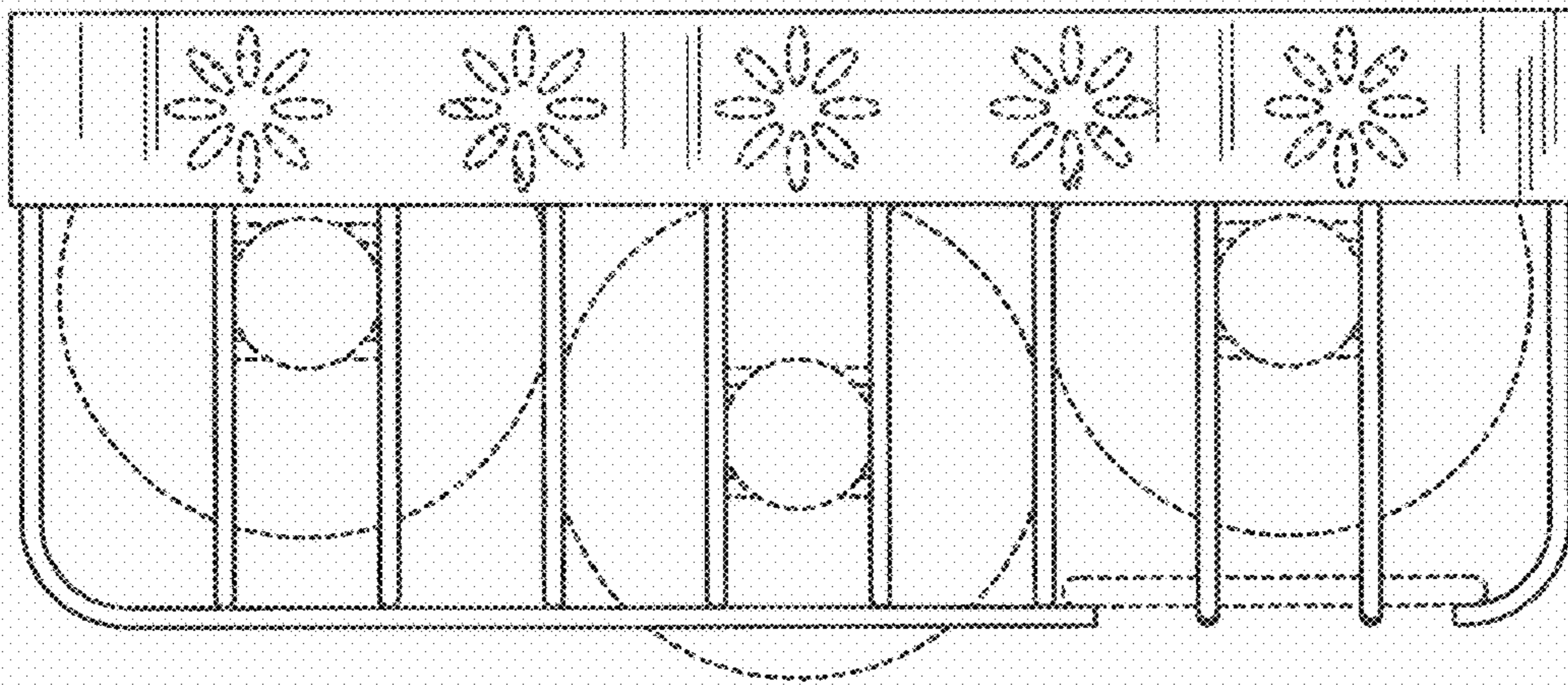


FIG. 2

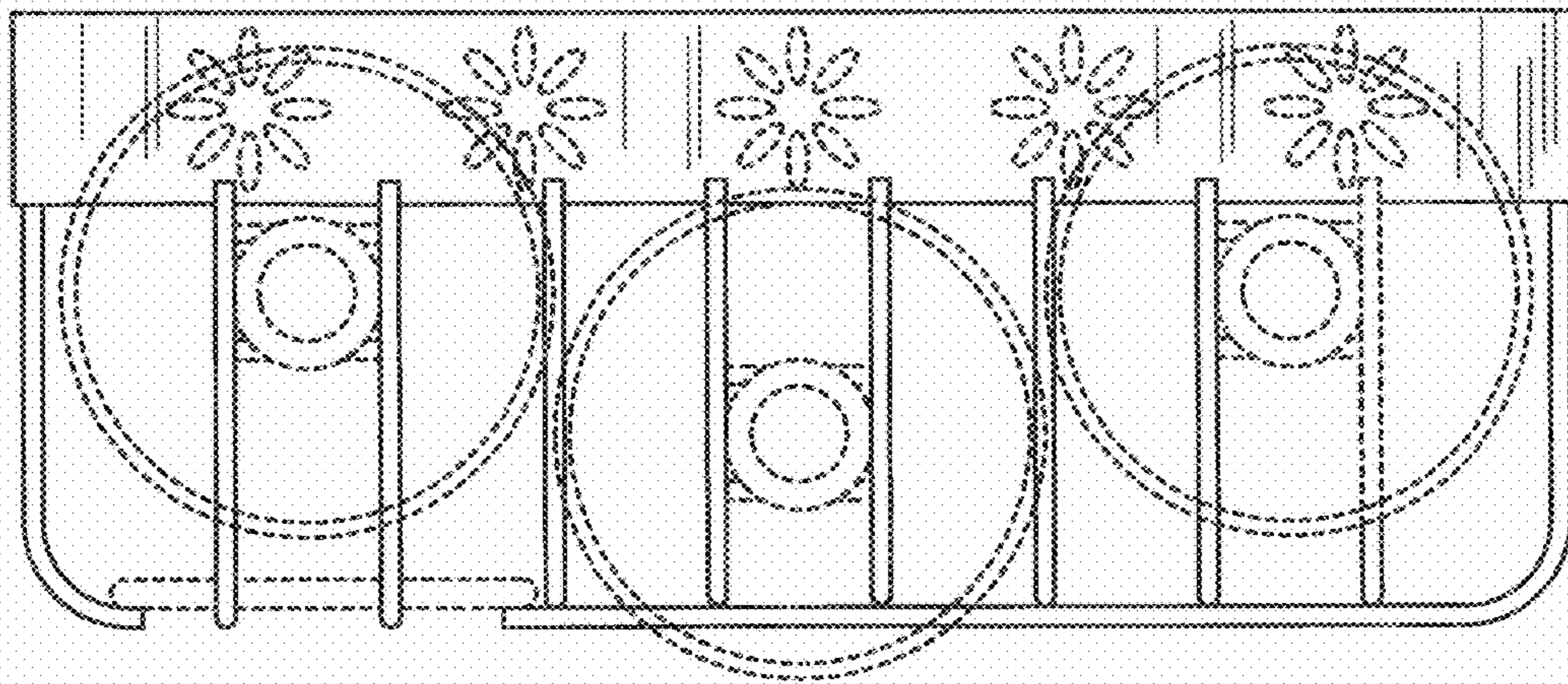


FIG. 3

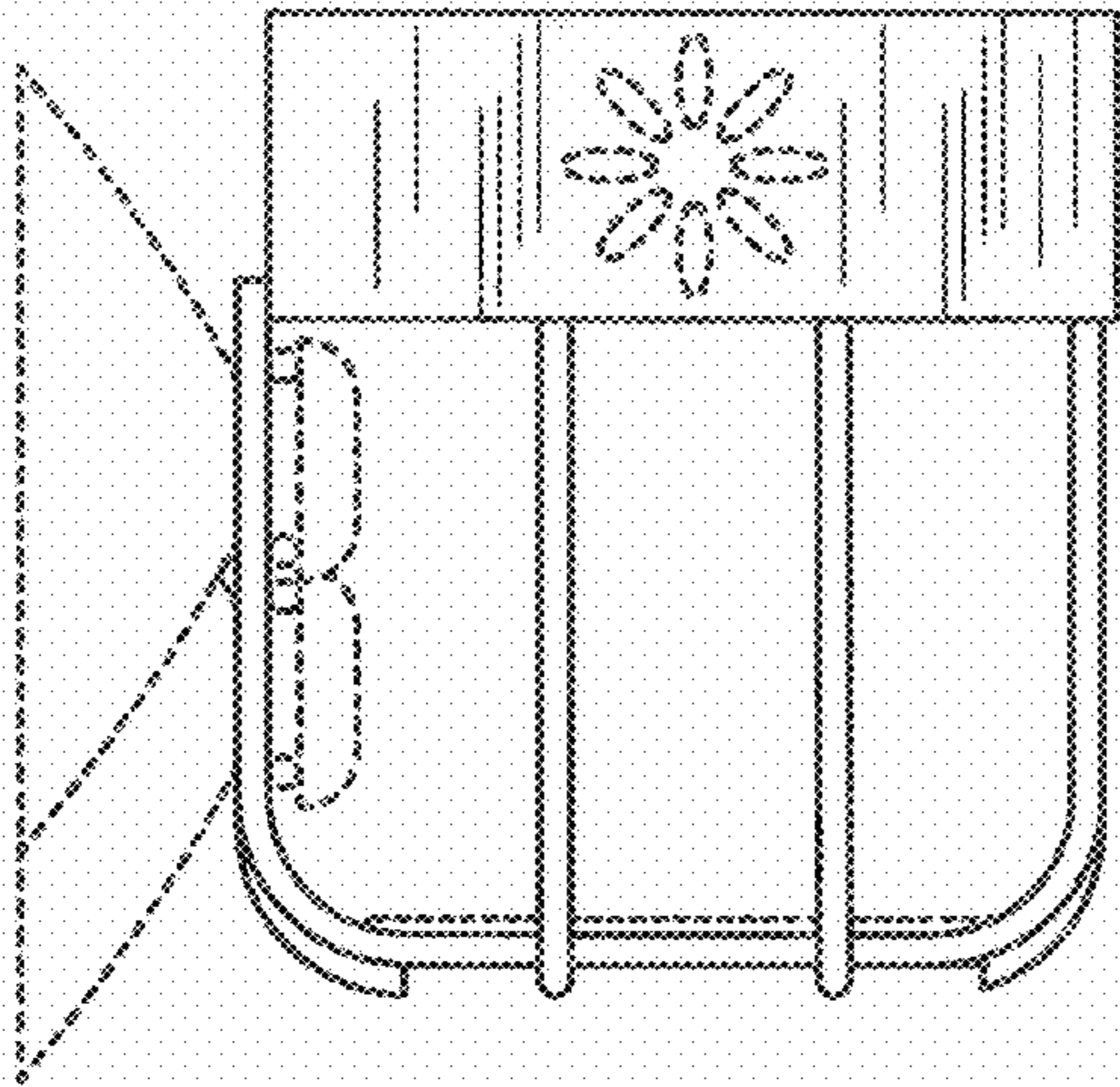


FIG. 4

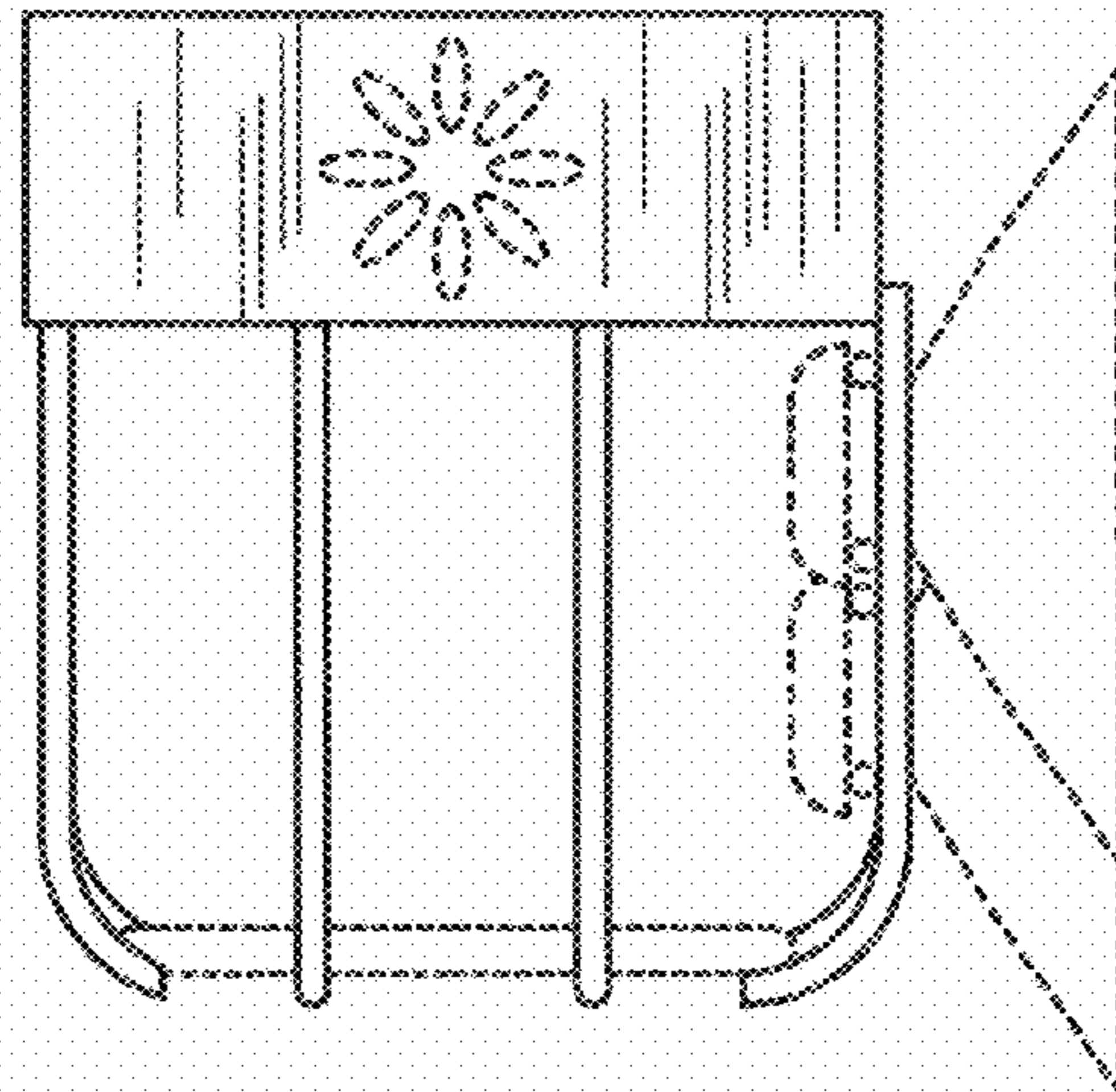


FIG. 5

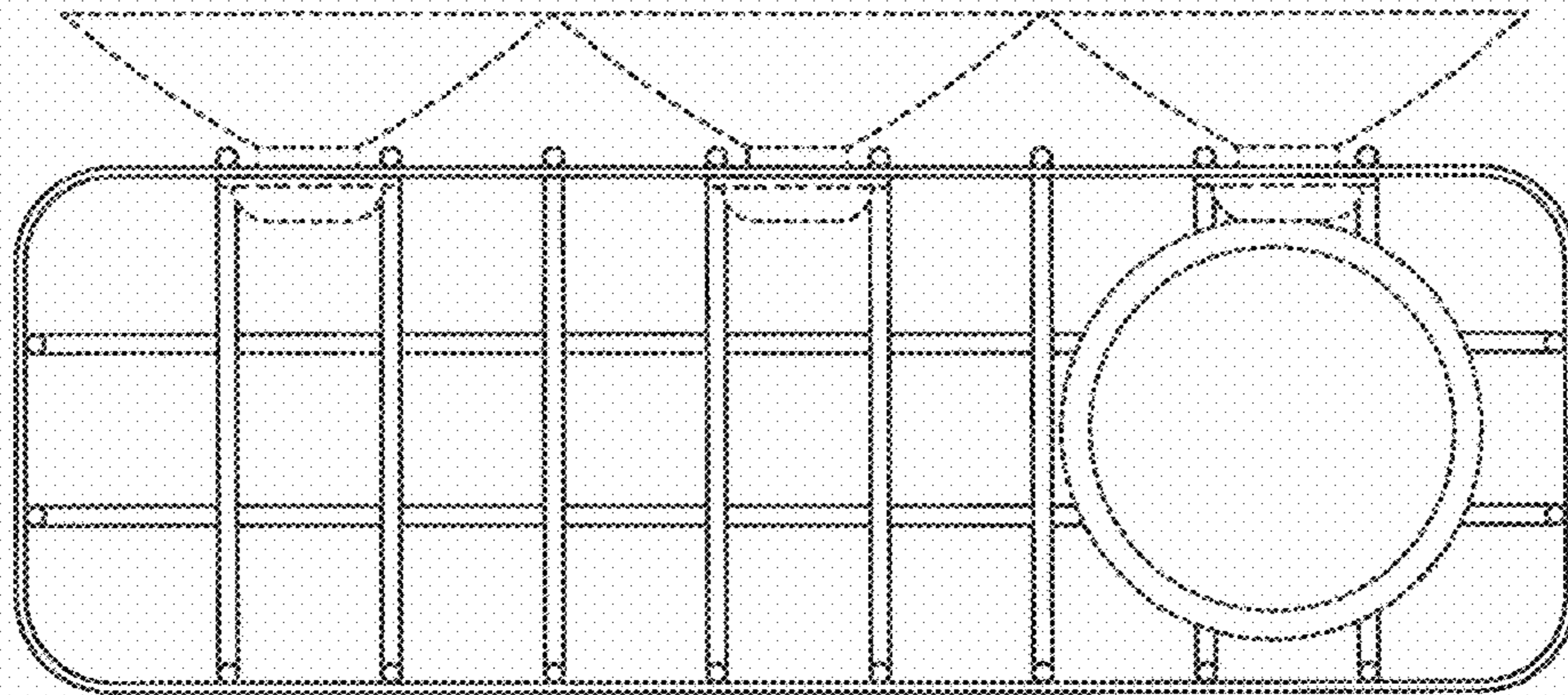


FIG. 6

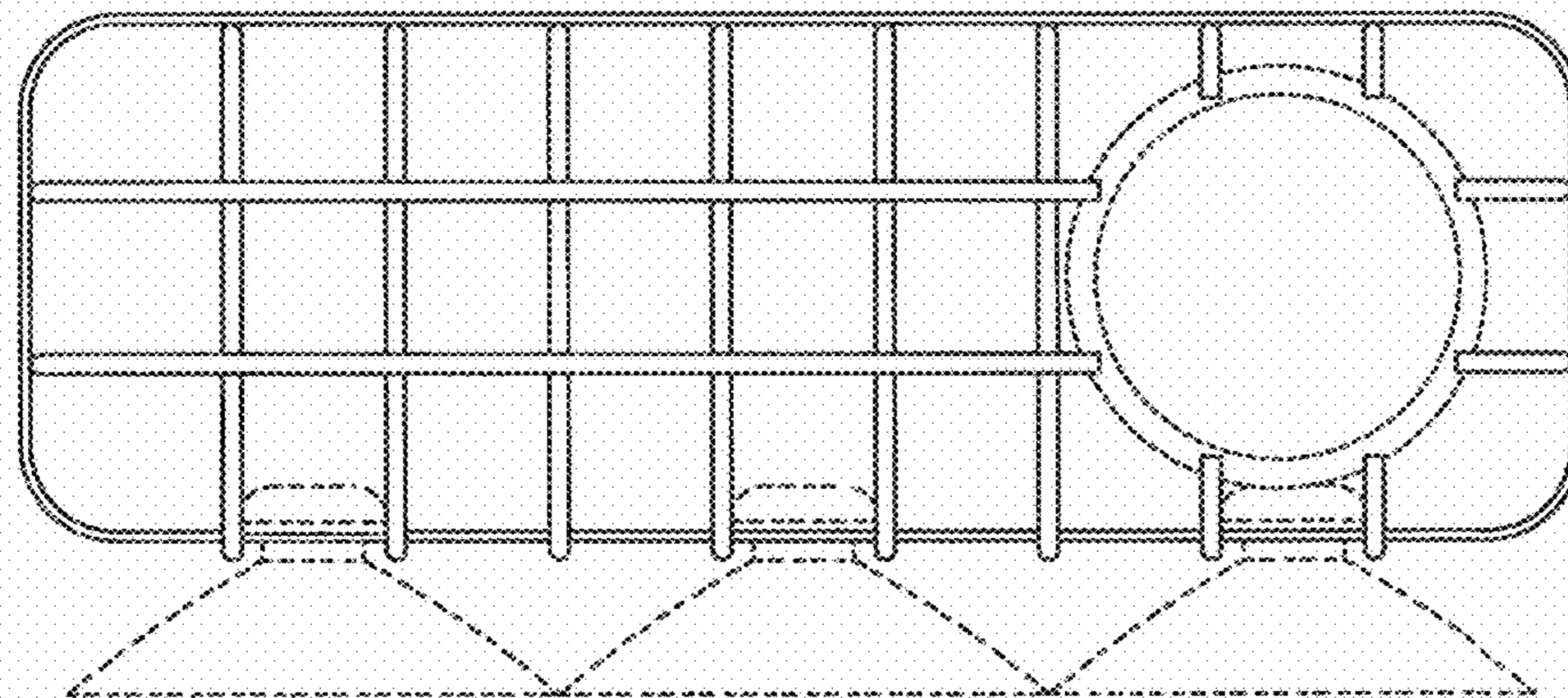


FIG. 7