



US00D811672S

(12) **United States Design Patent** (10) **Patent No.:** **US D811,672 S**
Kjaergaard et al. (45) **Date of Patent:** **** Feb. 27, 2018**

(54) **VACUUM CLEANER**

(71) Applicant: **Nilfisk A/S**, Broendby (DK)

(72) Inventors: **Christian Thorup Kjaergaard**, Hadsund (DK); **Malene Kappel**, Koebenhavn K. (DK); **Anthony Evans**, Kastrup (DK); **Henrik Jeppesen**, Holte (DK); **Berker Diker**, Copenhagen NV (DK); **Kalle Nordbo**, Roskilde (DK); **Richard Morgan Hickmott**, Helsingoer (DK)

(73) Assignee: **Nilfisk A/S**, Broendby (DK)

(**) Term: **15 Years**

(21) Appl. No.: **29/597,226**

(22) Filed: **Mar. 15, 2017**

Related U.S. Application Data

(62) Division of application No. 29/527,859, filed on May 22, 2015, now Pat. No. Des. 785,878.

(51) **LOC (11) Cl.** **15-05**

(52) **U.S. Cl.**
USPC **D32/21**

(58) **Field of Classification Search**
USPC D32/17, 21, 23, 24, 31
CPC G06N 3/008; A47L 9/2857; A47L 9/2842;
A47L 5/362; A47L 5/365; A47L 5/36;
A47L 5/28; A47L 7/0038; A47L 11/34;
E04H 4/1654

See application file for complete search history.

(56) **References Cited**

U.S. PATENT DOCUMENTS

D311,614 S	10/1990	Hirano et al.	
D316,767 S *	5/1991	Suh	D32/21
D322,339 S *	12/1991	Stutzer	D32/21
D322,340 S *	12/1991	Stutzer	D32/21
D325,269 S *	4/1992	Kohler	D32/21
D568,008 S *	4/2008	Grey	D32/21
D581,112 S *	11/2008	Baek	D32/21
D599,512 S *	9/2009	Lee	D32/21
D601,315 S *	9/2009	Lee	D32/21
D712,604 S *	9/2014	Jaeho	D32/21
D718,910 S *	12/2014	Svantesson	D32/21
D722,409 S *	2/2015	Chun	D32/21
D762,026 S *	7/2016	Tyler	D32/21
D785,878 S *	5/2017	Kjaergaard	D32/21

* cited by examiner

Primary Examiner — Ruth McInroy

(74) *Attorney, Agent, or Firm* — Abelman, Frayne & Schwab

(57) **CLAIM**

The ornamental design for a vacuum cleaner, as shown and described.

DESCRIPTION

FIG. 1 is a top, front, right side perspective view of a vacuum cleaner showing our new design; FIG. 2 is a front elevational view thereof; FIG. 3 is a right side elevational view thereof; FIG. 4 is a left side elevational view thereof; FIG. 5 is a top plan view thereof; FIG. 6 is a rear elevational view thereof; FIG. 7 is a top, rear, right side perspective view thereof; and, FIG. 8 is a top, rear, left side perspective view thereof. The features shown in broken lines are included for environmental purposes and form no part of the claimed design.

1 Claim, 8 Drawing Sheets

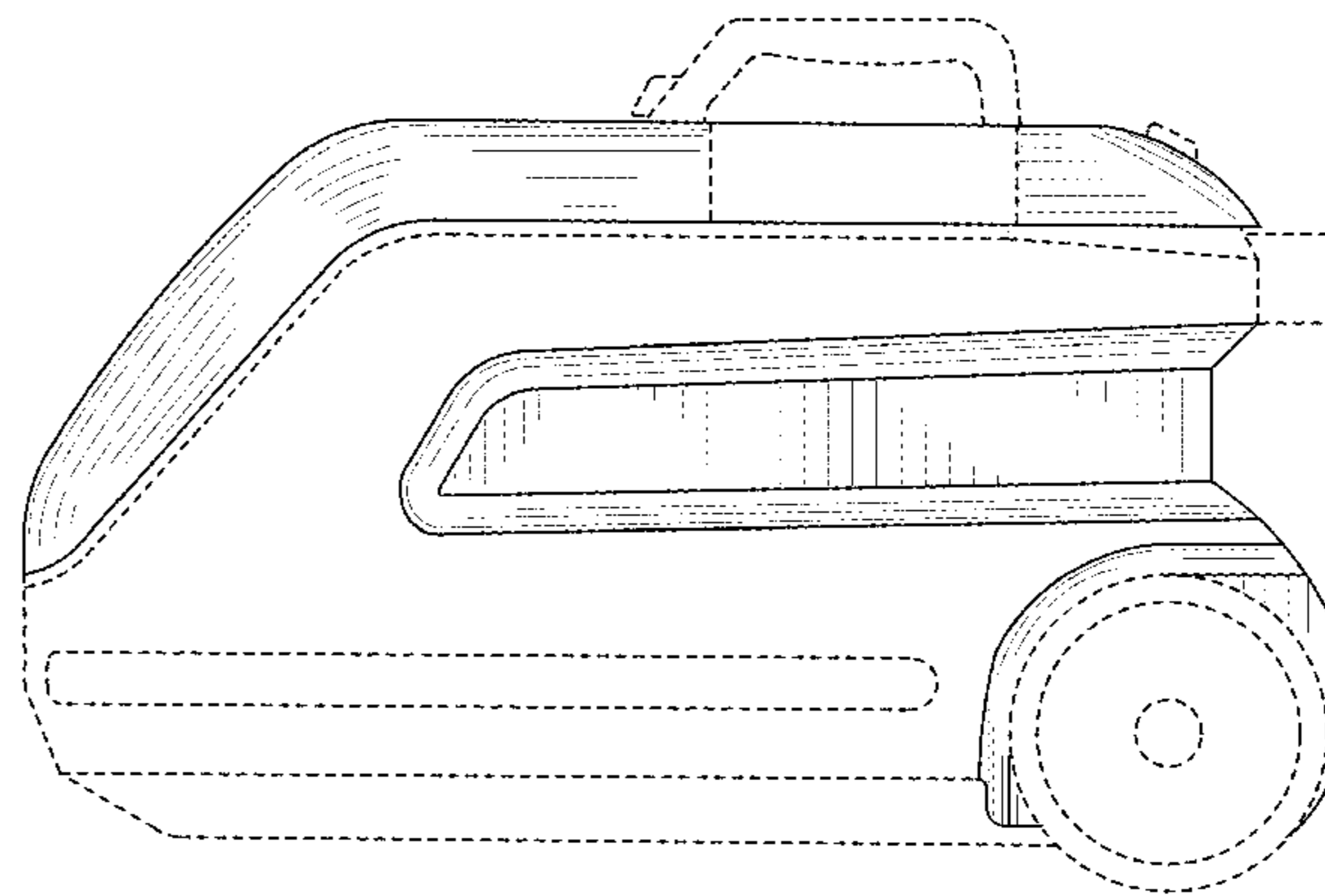
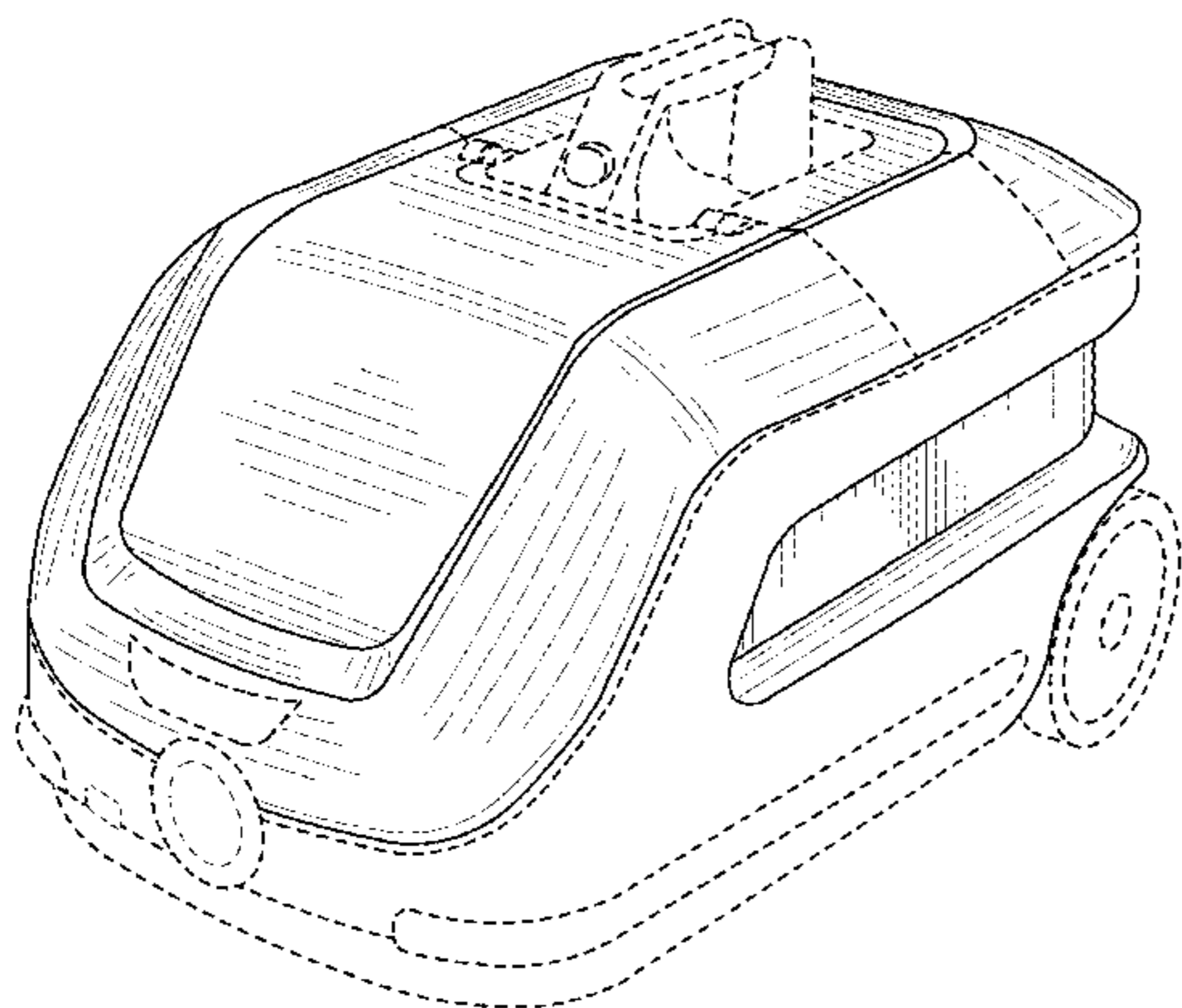


FIG. 1

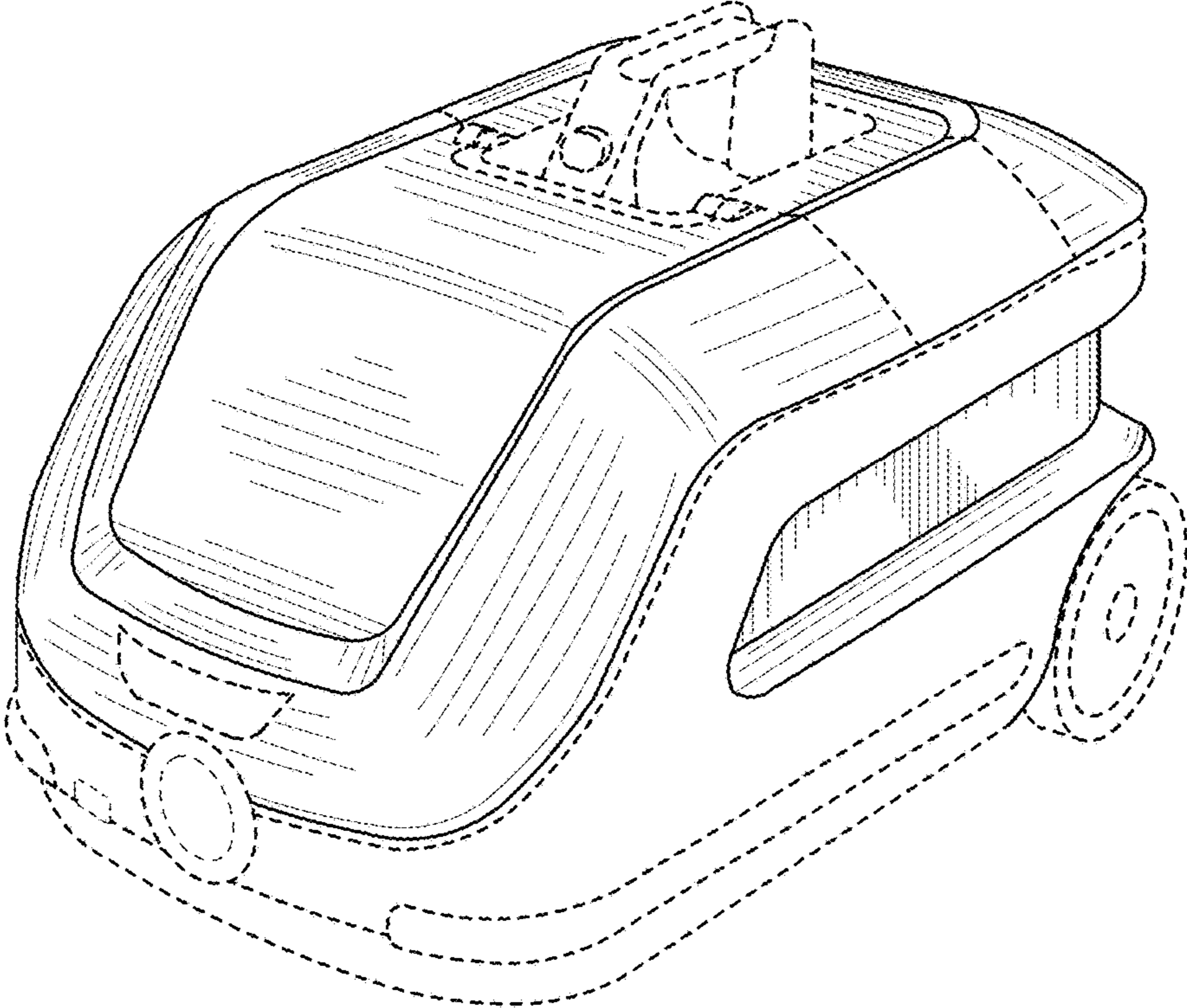


FIG. 2

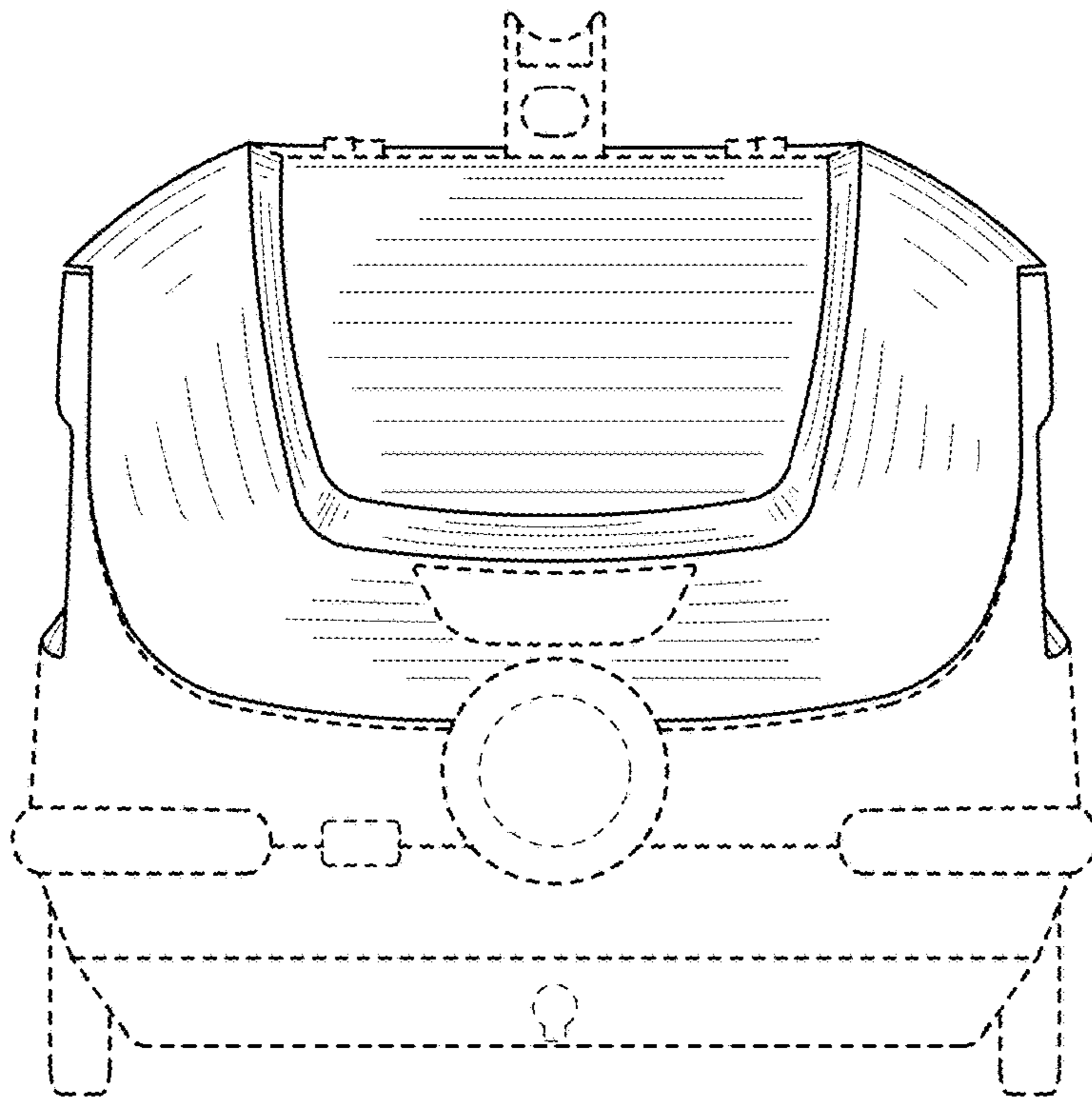


FIG. 3

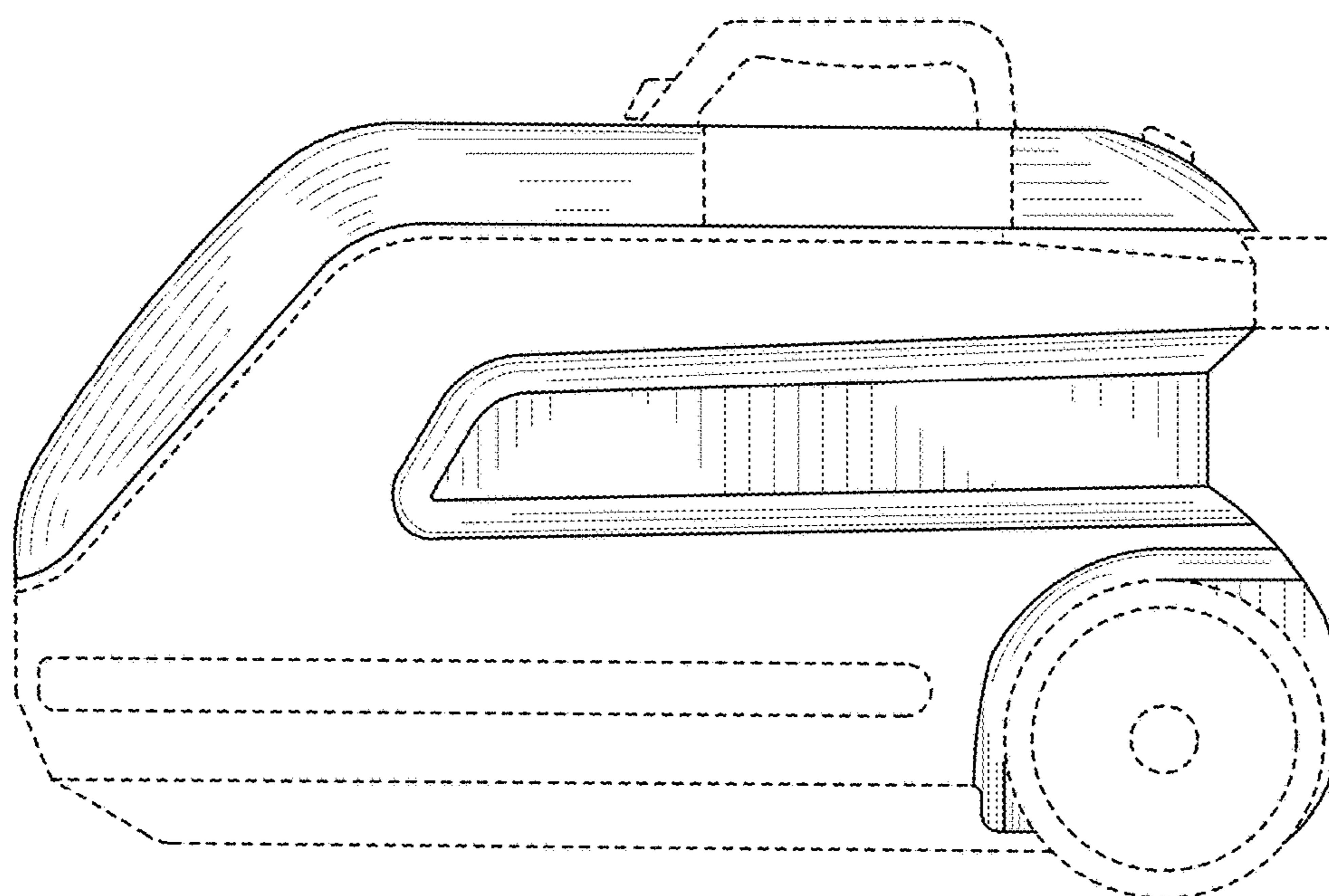


FIG. 4

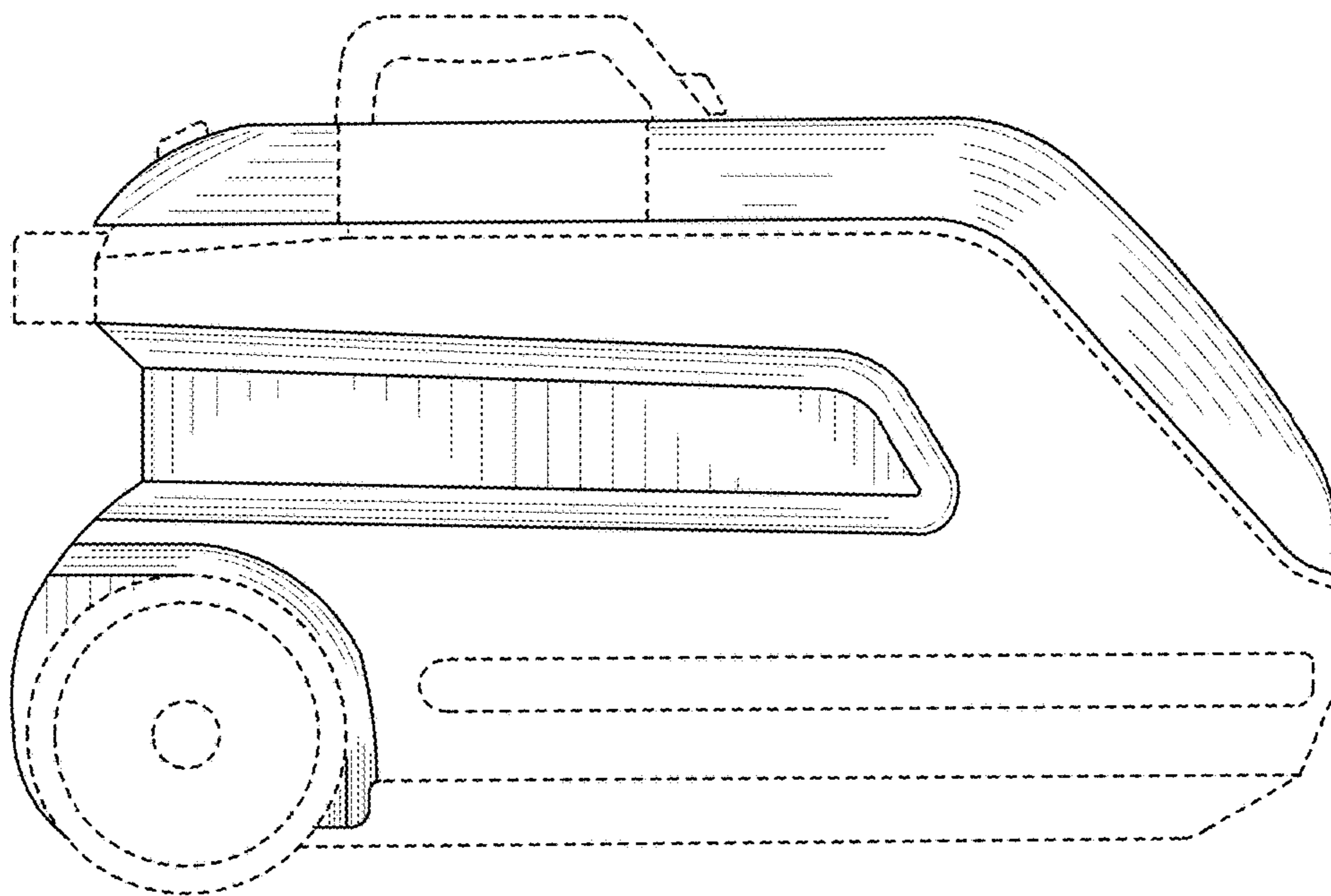


FIG. 5

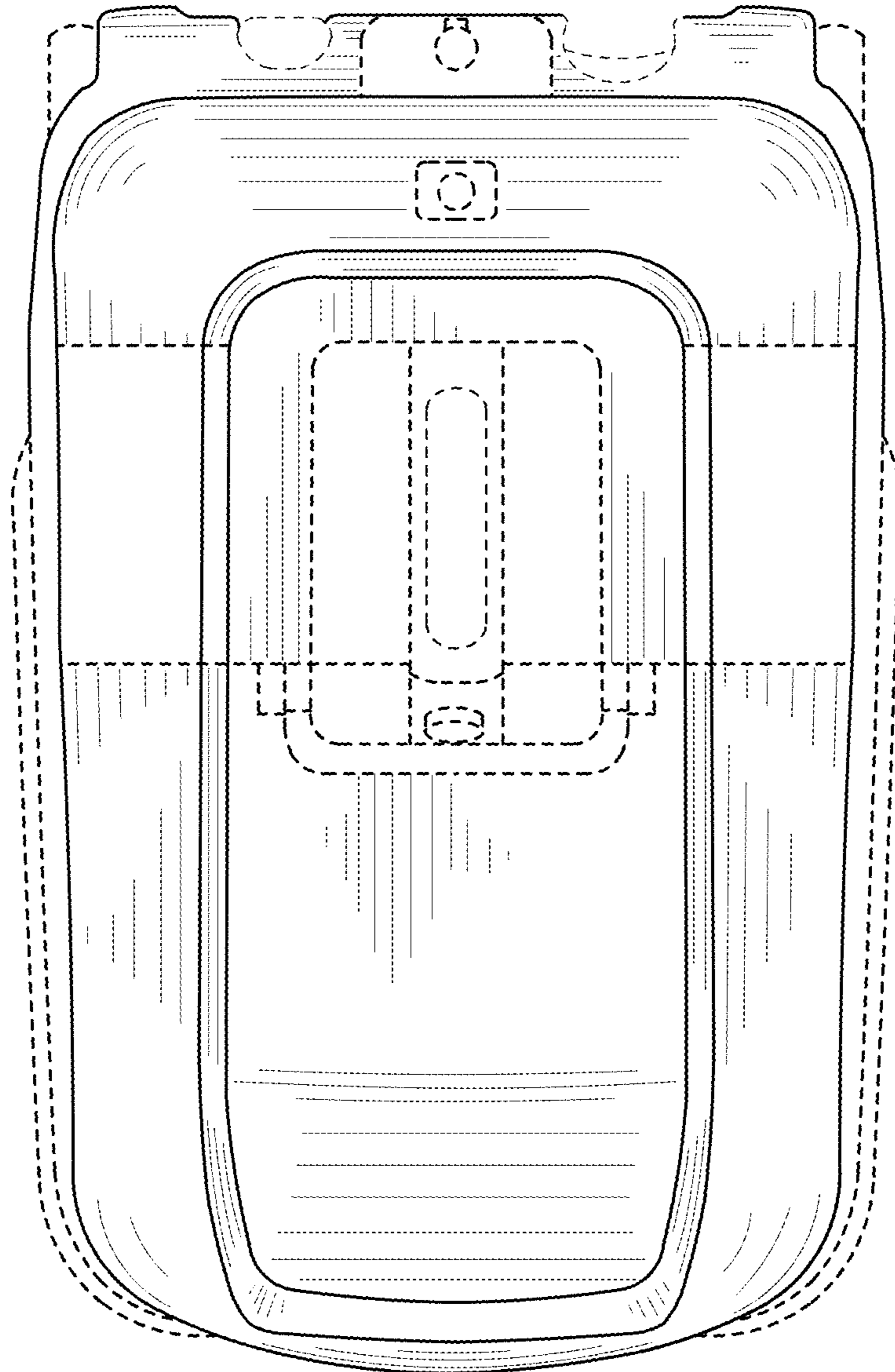


FIG. 6

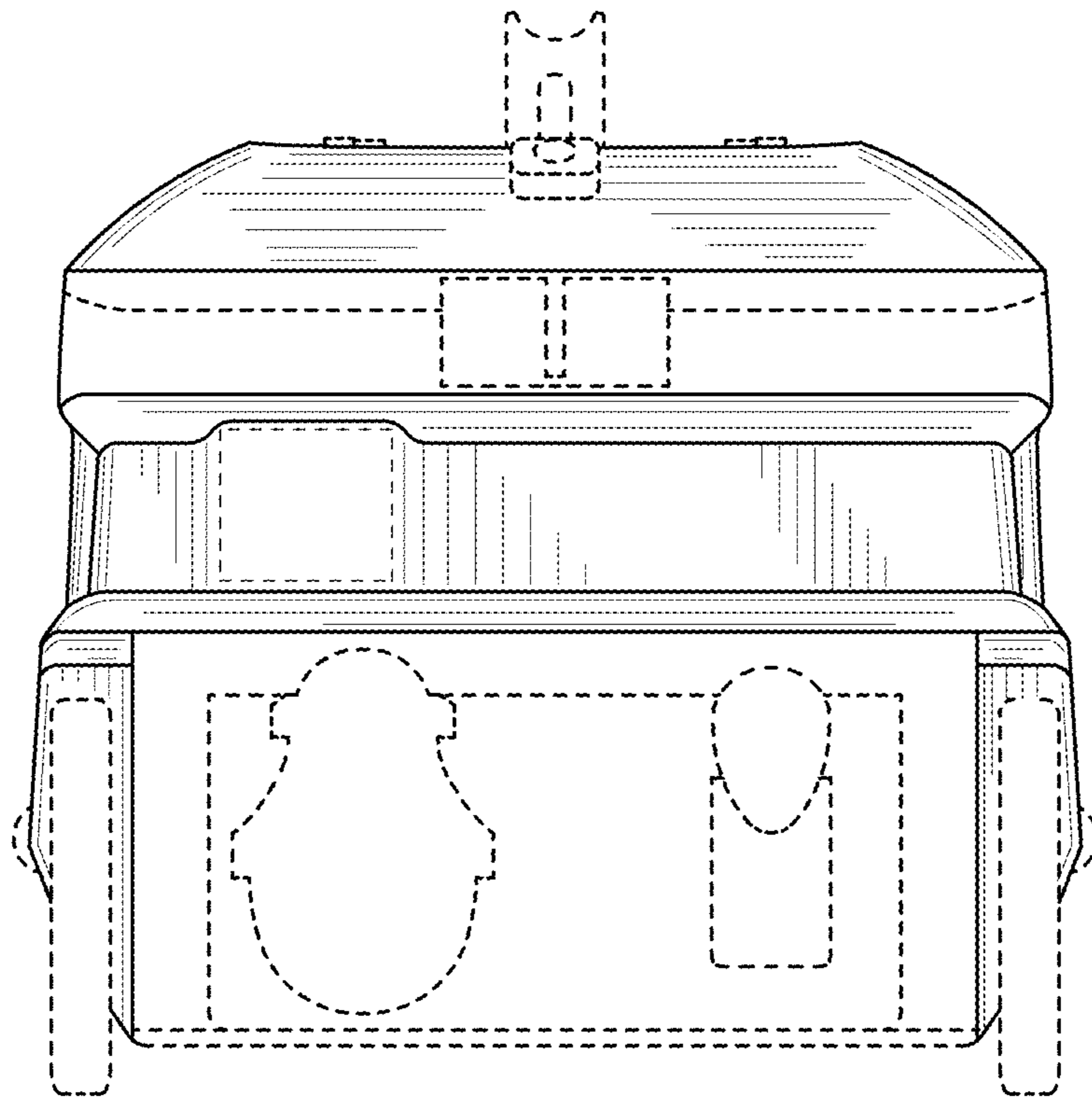


FIG. 7

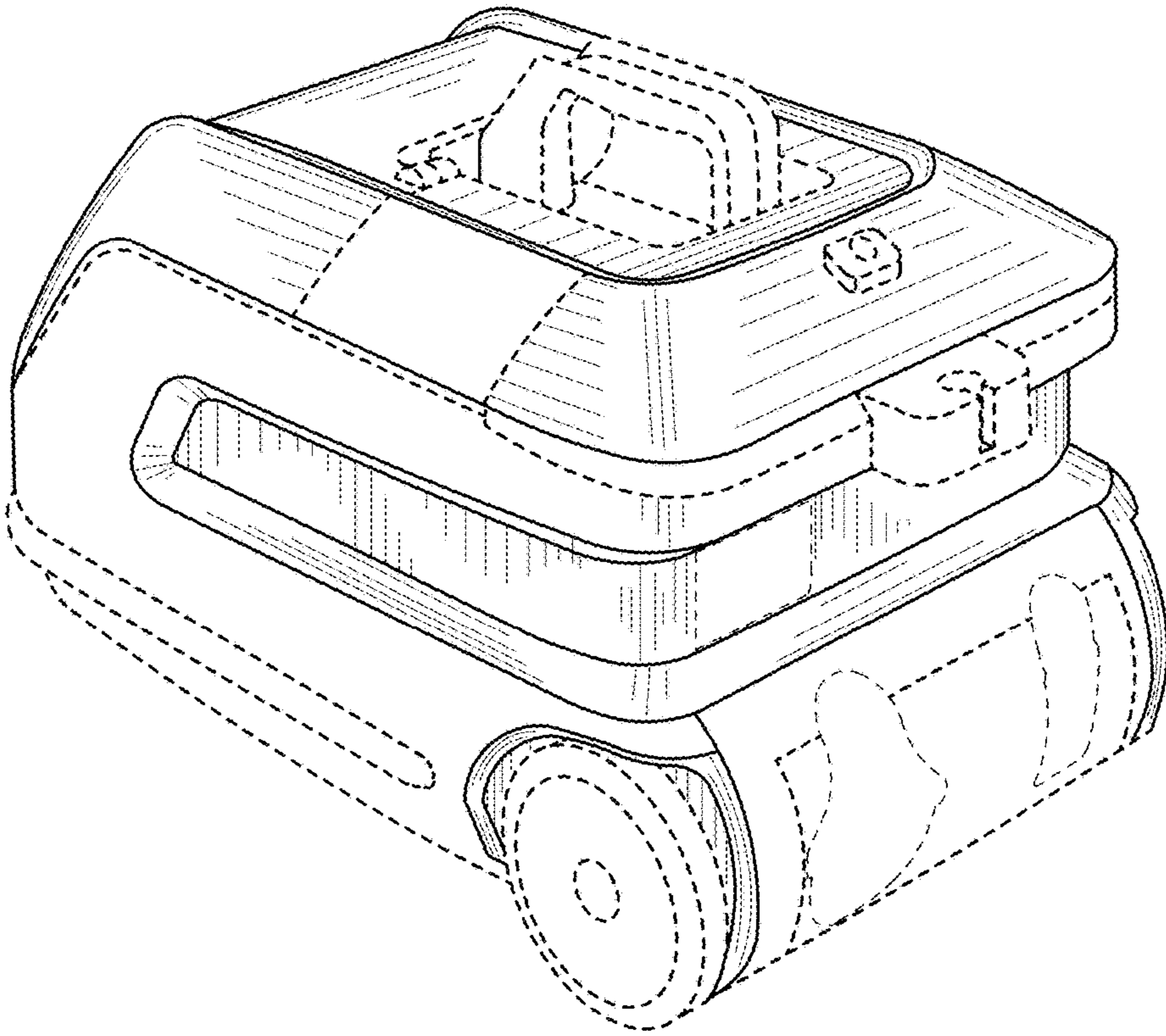


FIG. 8

