



US00D811671S

(12) **United States Design Patent**  
**Yoon et al.**

(10) **Patent No.:** **US D811,671 S**  
(45) **Date of Patent:** **\*\* Feb. 27, 2018**

(54) **DRYER**  
(71) Applicant: **SAMSUNG ELECTRONICS CO., LTD.**, Suwon-si, Gyeonggi-do (KR)  
(72) Inventors: **Sanghun Yoon**, Seoul (KR); **Yuna Park**, Seoul (KR); **Myunggyu Kim**, Seoul (KR); **Ahjung Joo**, Seoul (KR)  
(73) Assignee: **SAMSUNG ELECTRONICS CO., LTD.**, Gyeonggi-Do (KR)

D557,466 S \* 12/2007 Suh ..... D32/6  
D583,114 S \* 12/2008 Jeon ..... D32/8  
D642,753 S \* 8/2011 Ha ..... D32/6  
D658,340 S \* 4/2012 Jeon ..... D32/6  
D663,907 S \* 7/2012 Jeon ..... D32/6  
D663,908 S \* 7/2012 Jeon ..... D32/6  
D664,313 S \* 7/2012 Chung ..... D32/6  
D703,887 S \* 4/2014 Lee ..... D32/8  
D729,467 S \* 5/2015 Jee ..... D32/6  
D730,597 S \* 5/2015 Jeon ..... D32/8  
D738,582 S \* 9/2015 Chung ..... D32/6

(\*\*) Term: **15 Years**

(21) Appl. No.: **29/593,661**

(22) Filed: **Feb. 10, 2017**

(30) **Foreign Application Priority Data**

Nov. 29, 2016 (KR) ..... 30-2016-0057687

(51) **LOC (11) Cl.** ..... **15-05**

(52) **U.S. Cl.**  
USPC ..... **D32/8**

(58) **Field of Classification Search**  
USPC ..... D32/6, 8, 1, 25, 5; D7/340, 405  
CPC ..... D06F 58/00; D06F 58/02; D06F 58/04;  
D06F 58/20  
See application file for complete search history.

(56) **References Cited**

**U.S. PATENT DOCUMENTS**

D422,387 S \* 4/2000 Mutoh ..... D32/25  
D516,258 S \* 2/2006 Matsusaki ..... D32/1  
D519,692 S \* 4/2006 Jun ..... D32/6  
D537,991 S \* 3/2007 Jun ..... D32/6  
D547,915 S \* 7/2007 Jun ..... D32/6

**FOREIGN PATENT DOCUMENTS**

CN 303423821 S 10/2015  
KR 300387514 S 7/2005  
KR 300768037 S 10/2014

\* cited by examiner

*Primary Examiner* — Michael A. Pratt

*Assistant Examiner* — Michelle E Wilson

(74) *Attorney, Agent, or Firm* — Cantor Colburn LLP

(57) **CLAIM**

The ornamental design for a dryer, as shown and described.

**DESCRIPTION**

FIG. 1 is a front perspective view of a dryer, showing our new design;

FIG. 2 is a front view thereof;

FIG. 3 is a rear view thereof;

FIG. 4 is a left-side view thereof;

FIG. 5 is a right-side view thereof;

FIG. 6 is a top view thereof; and,

FIG. 7 is a bottom view thereof.

The broken lines illustrating portions of the dryer form no part of the claimed design.

**1 Claim, 7 Drawing Sheets**

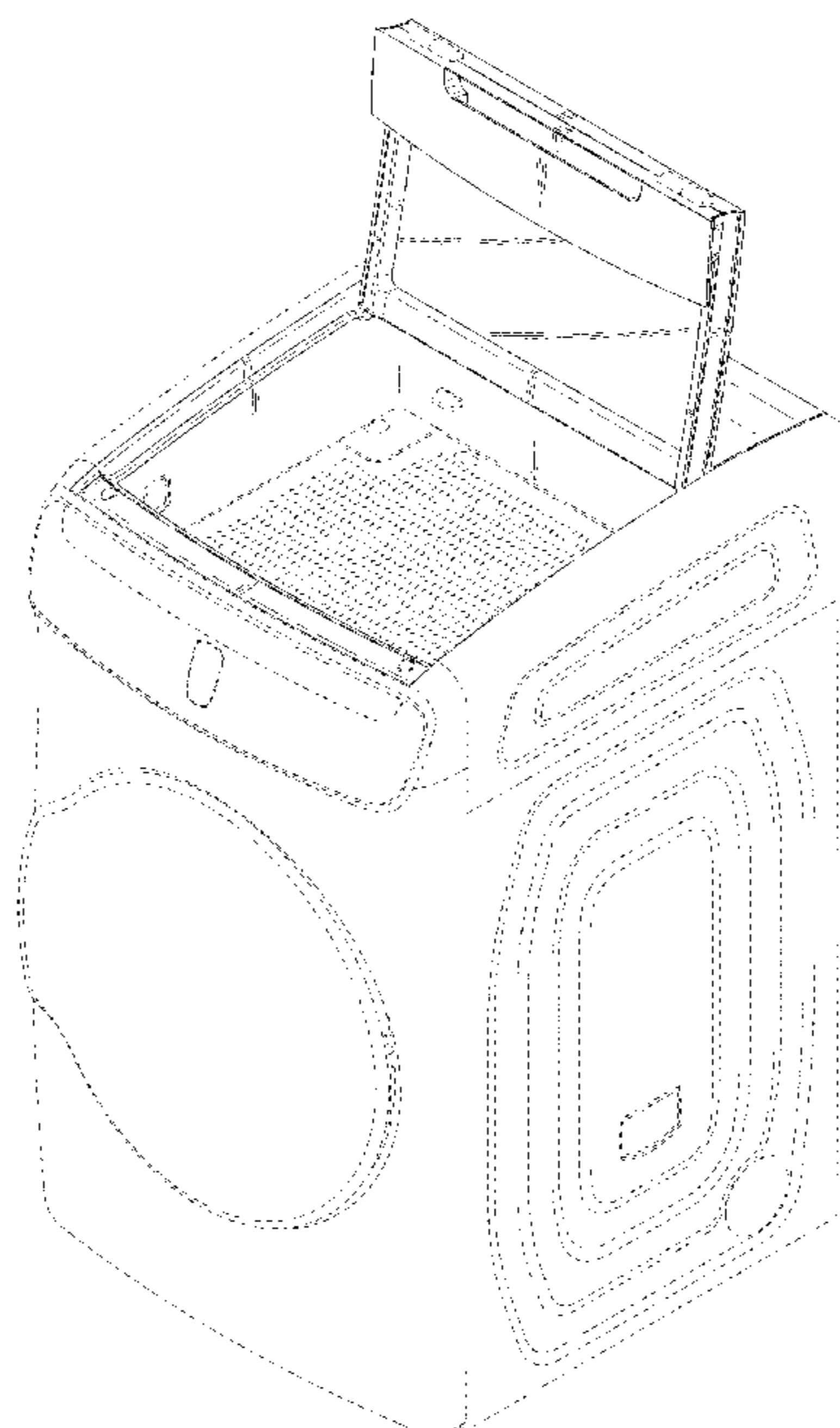


FIG. 1

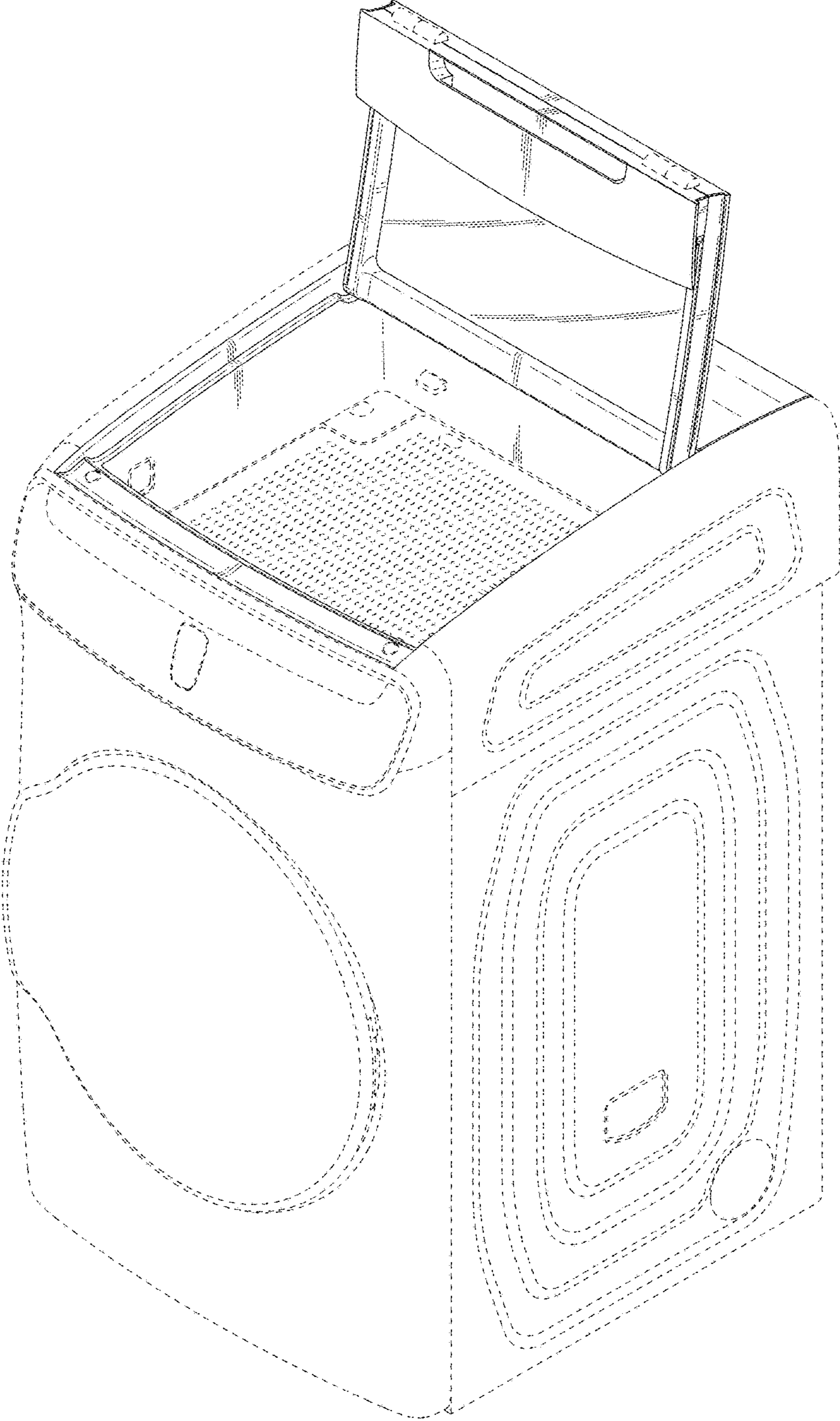


FIG. 2

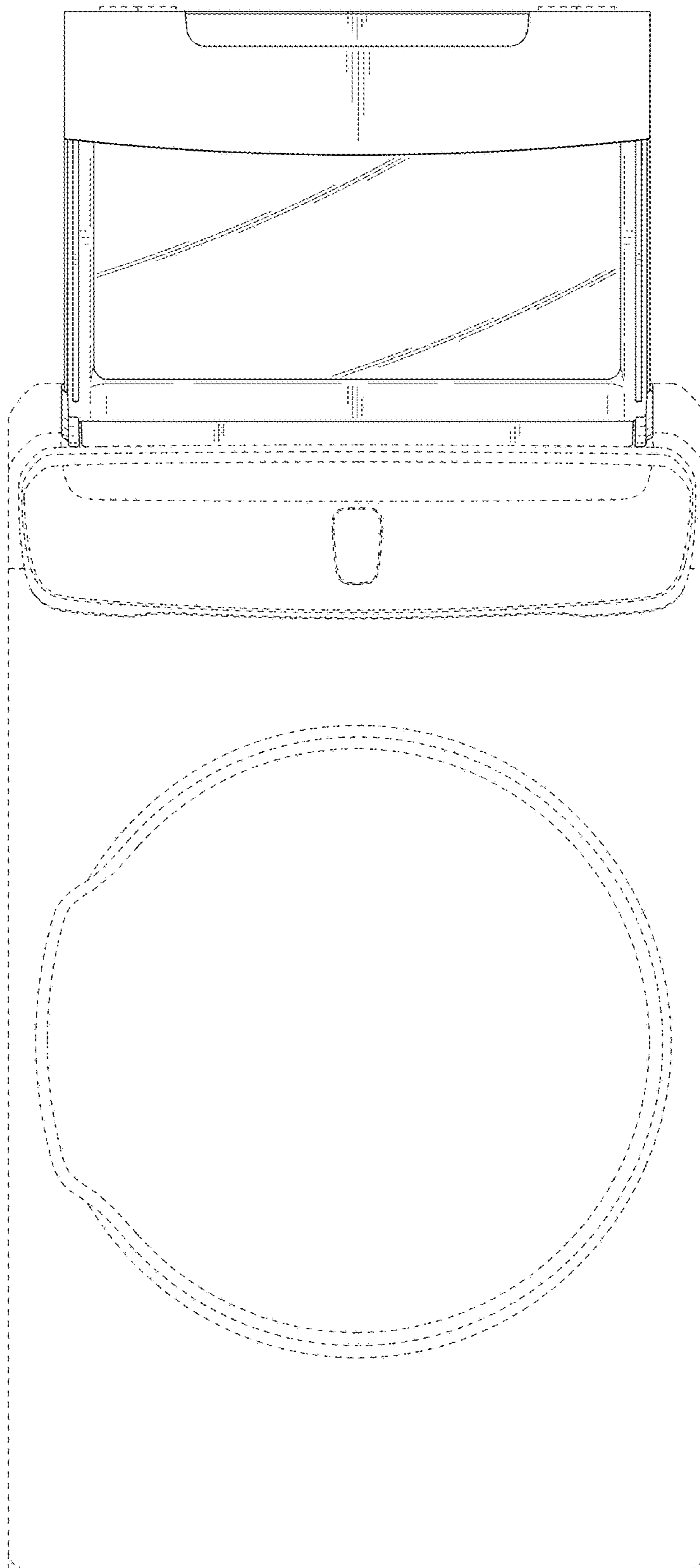


FIG. 3

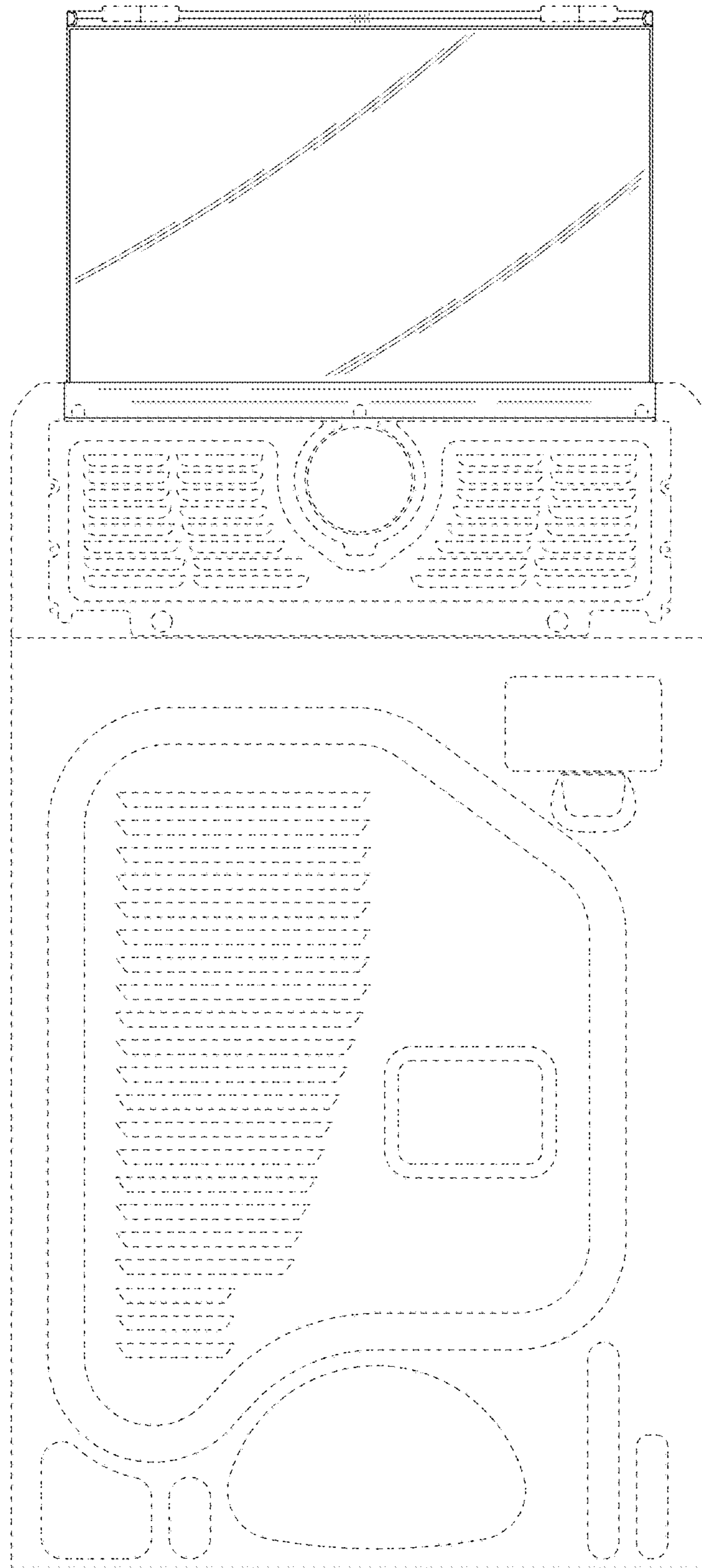


FIG. 4

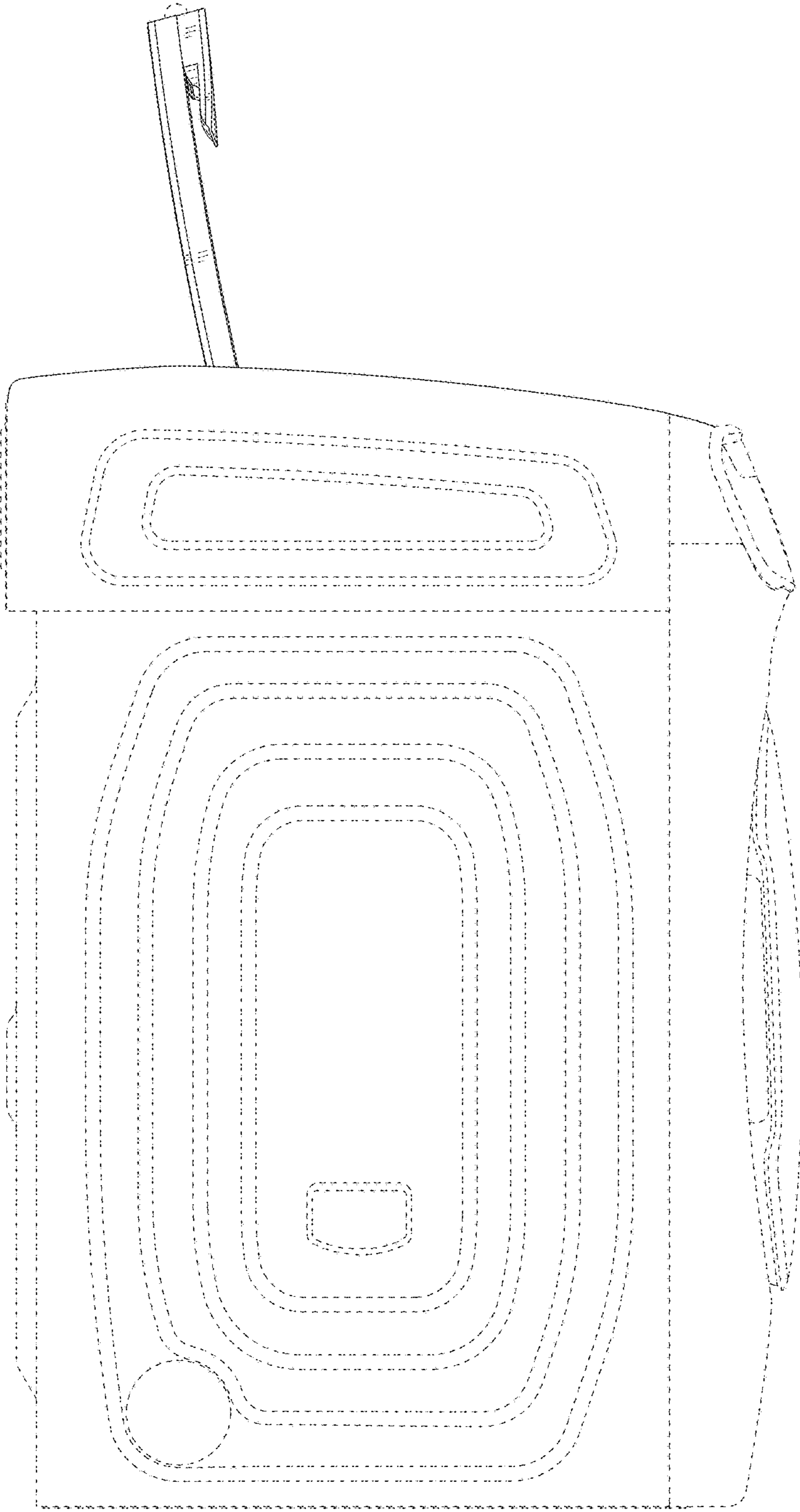


FIG. 5

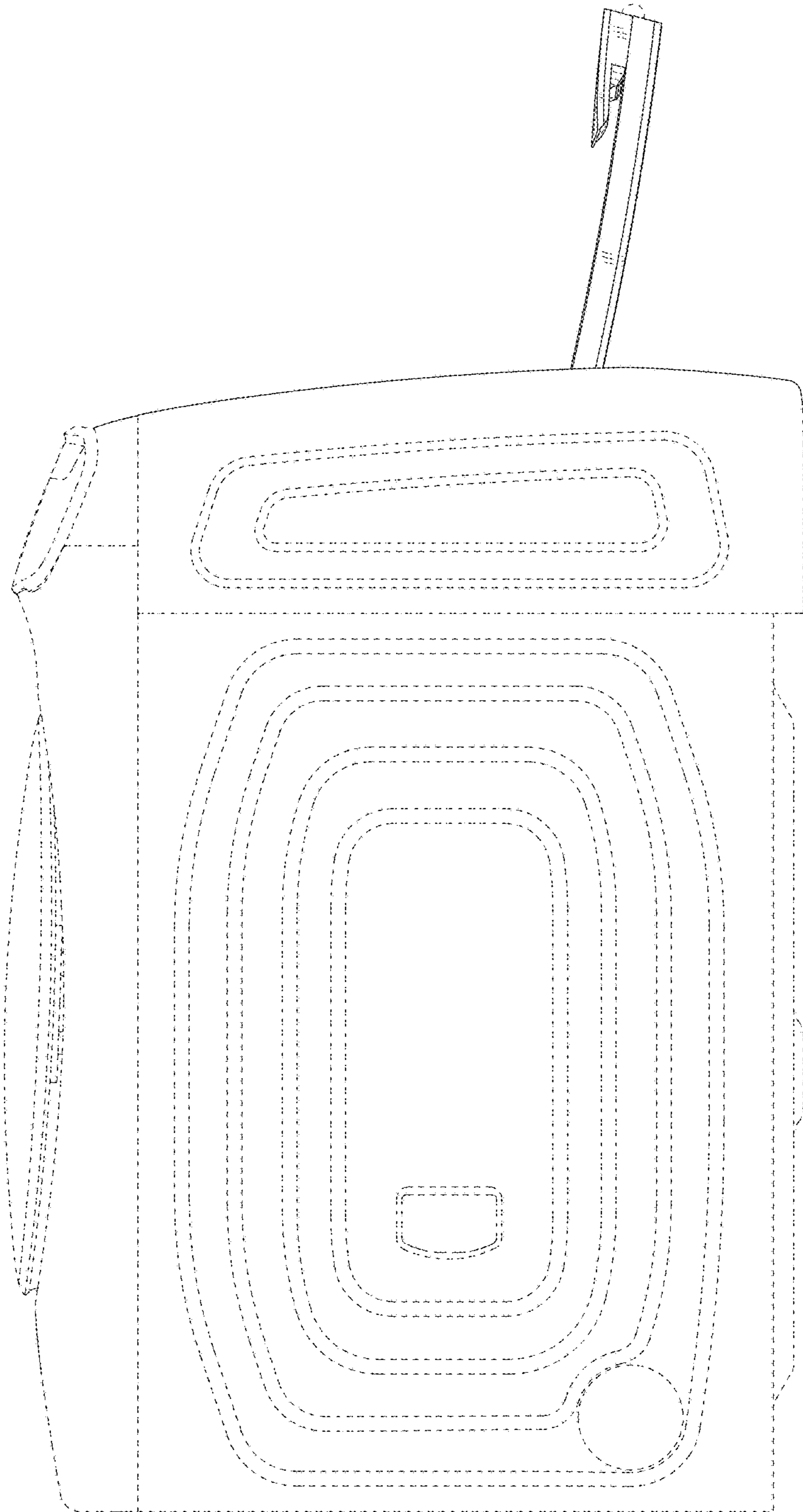


FIG. 6

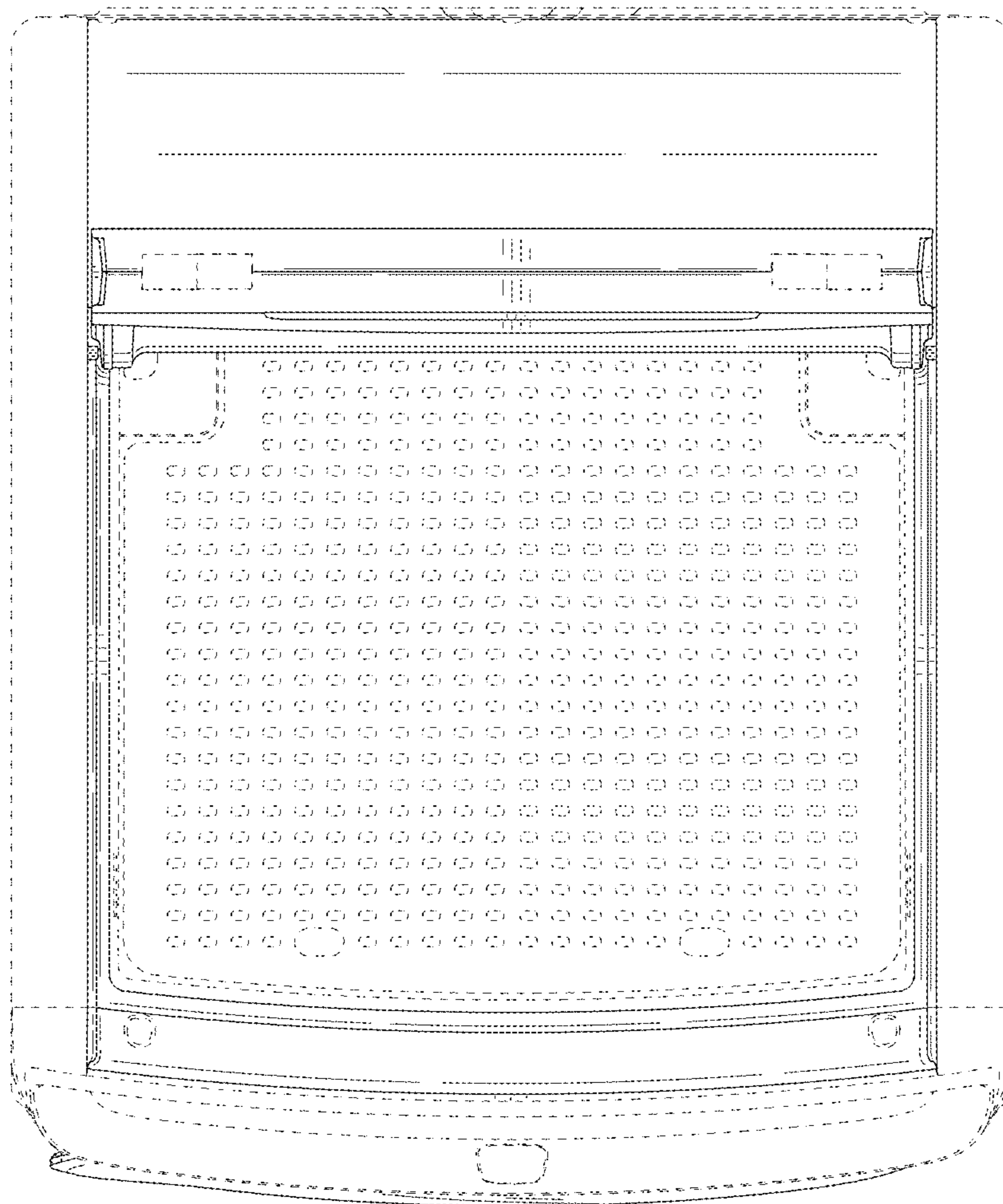


FIG. 7

