



US00D811669S

(12) **United States Design Patent**  
**Wills et al.**

(10) **Patent No.:** **US D811,669 S**

(45) **Date of Patent:** **\*\* Feb. 27, 2018**

(54) **PET TOY MARINATOR**

(71) Applicant: **Little Big Cat, Inc.**, Beverly Hills, CA (US)

(72) Inventors: **Ryan Wills**, Carrollton, TX (US);  
**Brittany Green**, Fort Worth, TX (US);  
**Andrea Valle**, Stanhope, NJ (US)

(73) Assignee: **LITTLE BIG CAT, INC.**, Beverly Hills, CA (US)

(\*\*) Term: **15 Years**

(21) Appl. No.: **29/557,771**

(22) Filed: **Mar. 11, 2016**

(51) **LOC (11) Cl.** ..... **30-99**

(52) **U.S. Cl.**  
USPC ..... **D30/199**

(58) **Field of Classification Search**

USPC ..... D30/199, 160, 108-120, 158, 121,  
D30/129-133; 119/174, 702, 707-711,  
119/51.01, 58, 60, 61.1, 61.3, 52.4, 499,  
119/501, 600-606, 657, 671-675, 678;  
D7/507-511, 533, 536, 543, 399, 400,  
D7/397, 900, 598, 317, 316, 321, 300.1,  
(Continued)

(56) **References Cited**

**U.S. PATENT DOCUMENTS**

1,456,382 A \* 5/1923 Kincannon ..... F24B 1/003  
126/275 R  
D131,468 S \* 3/1942 Howard ..... 126/1 R  
(Continued)

*Primary Examiner* — Susan Moon Lee

(74) *Attorney, Agent, or Firm* — Global IP Counselors,  
LLP

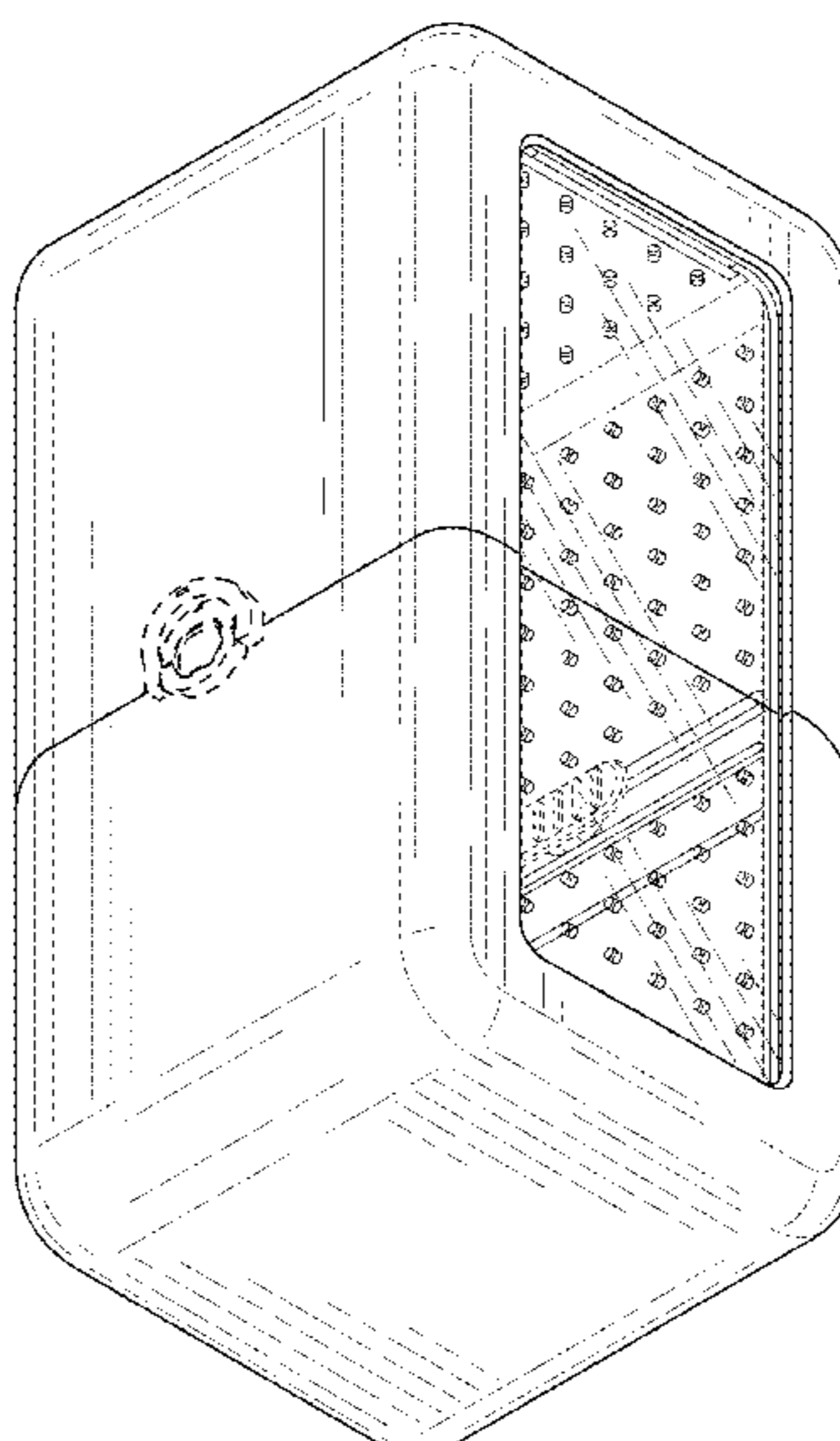
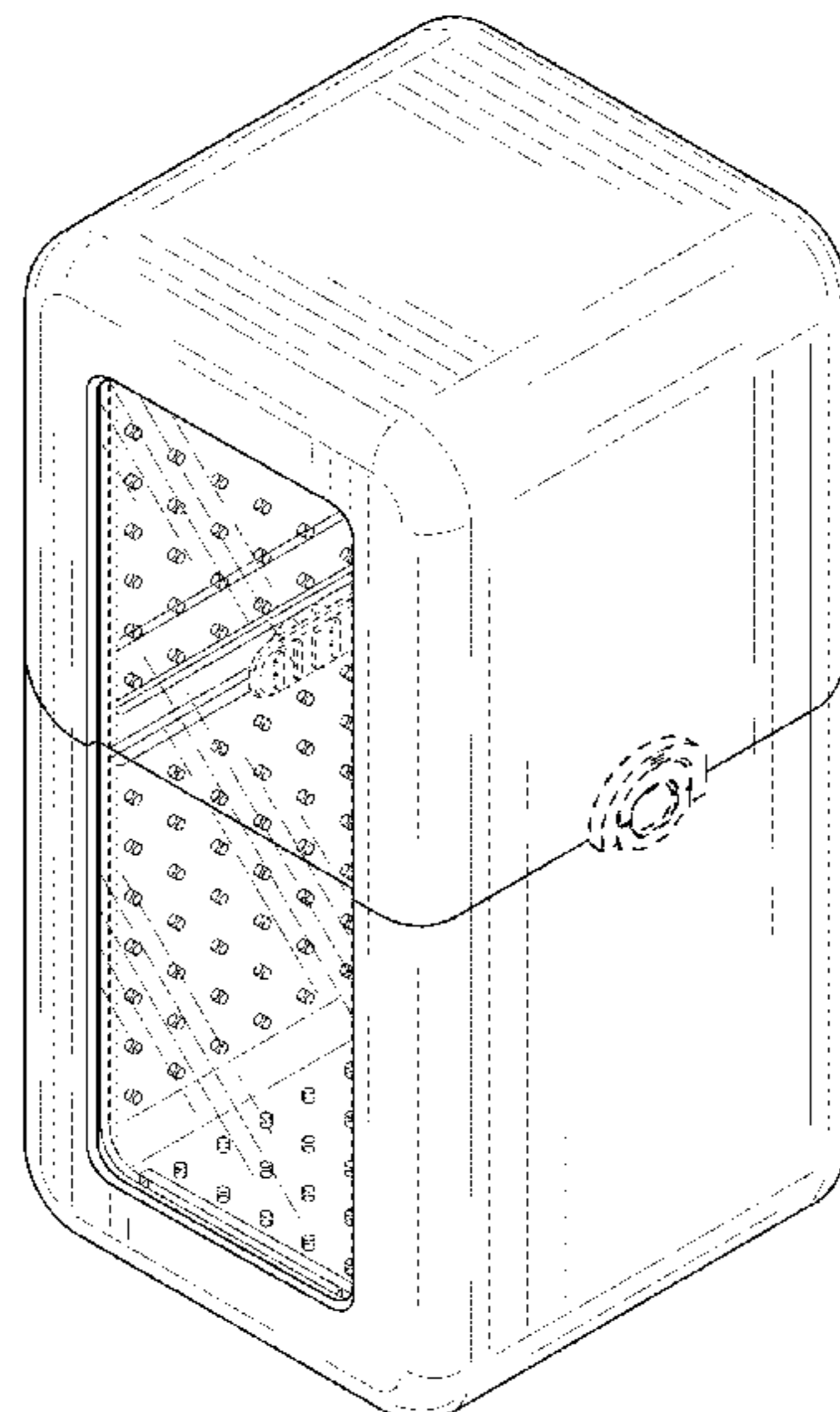
(57) **CLAIM**

The ornamental design for a pet toy marinator, as shown and described.

**DESCRIPTION**

FIG. 1 is a front-right-top side perspective view of a pet toy marinator in accordance with our new design;  
FIG. 2 is a front elevational view thereof;  
FIG. 3 is a rear elevational view thereof;  
FIG. 4 is a left side elevational view thereof;  
FIG. 5 is a right side elevational view thereof;  
FIG. 6 is a top plan view thereof;  
FIG. 7 is a bottom plan view thereof;  
FIG. 8 is a cross-sectional view of the pet toy marinator in accordance with our new design of FIGS. 1 to 7, noted between A and A' in FIG. 2;  
FIG. 9 is a cross-sectional view of the pet toy marinator in accordance with our new design of FIGS. 1 to 8, noted between B and B' in FIG. 4;  
FIG. 10 is a front-right-bottom perspective exploded view of the pet toy marinator in accordance with our new design of FIGS. 1 to 9;  
FIG. 11 is a front-left-top side perspective exploded view of the pet toy marinator in accordance with our new design of FIGS. 1 to 10;  
FIG. 12 is a front-left-bottom side perspective view of the pet toy marinator in accordance with our new design of FIGS. 1-11;  
FIG. 13 is a front-right-top side perspective view of the pet toy marinator in accordance with a second embodiment; and,  
FIG. 14 is a front-left-bottom side perspective view thereof. The interior of the second embodiment of our new design is substantially identical to the interior of the first embodiment. Broken lines and unshaded portions contained within broken lines depict portions of the pet toy marinator that form no part of the present claim, but are shown for purposes of illustration.

**1 Claim, 10 Drawing Sheets**



# US D811,669 S

**(58) Field of Classification Search**

USPC ..... D7/300, 523, 529, 532, 601, 602, 619.1,  
D7/629, 608, 630, 368; D9/500-505,  
D9/529, 449, 454, 542, 558, 574, 516,  
D9/520, 530, 549, 428, 682, 686, 688,  
D9/715, 719, 523, 716, 434-440, 453,  
D9/544-546, 552, 575, 444, 445, 537,  
D9/539, 442, 420, 624, 625, 554, 429;  
D6/512, 518; D34/2; D24/224, 197,  
D24/196, 201-203; D19/162, 61;  
D28/73, 76, 82, 85, 91.1, 197; 99/323,  
99/323.3, 467, 485, 494, 646 R, 646 C,  
99/430, DIG. 15, 280, 285, 312;  
222/556, 547, 563, 544, 209, 131, 363,  
222/349, 517, 153.13, 401, 1, 146.5, 23,  
222/54, 64, 51, 156, 399, 400.8;  
220/825, 828, 719, 254.3, 203.19, 203.2,  
220/703, 827, 200, 707, 705, 592.17,  
220/23.87, 630, 737, 743, 9.4, 495.01,  
220/574, 212, 255, 23.83; 215/21, 23,  
215/24, 312, 313; 392/416; 312/204;  
248/151, 188; 108/156, 153.1-157;  
206/515; 43/109; D22/122; 219/438,  
219/439, 441, 385, 386, 402, 407;  
210/94, 184, 474, 477; D25/16-19, 317,  
D25/13-15, 33; D21/506, 507, 835-838;  
52/80.1, 81.1-81.4, 82, 232; 264/34, 31,  
264/32; 135/94, 87, 124, 115, 117, 100;  
4/524, 526

CPC ..... A01K 29/00; A01K 15/02; A01K 15/025;  
B65D 43/18; B65D 51/10; B65D 1/00;  
B65D 1/02; B65D 1/0223; B65D 23/00;  
B65D 81/00; B65D 81/38; B65D  
81/3837; B65D 2501/00; B65D  
2501/0009; B65D 2501/0081; A47G  
19/12; A47G 19/22; A47G 19/2205;  
A47G 19/2211; A47G 19/2266; A47J  
41/005; A47J 41/0011; A47J 41/0027;  
F25D 31/007; F25D 31/002; F25D  
2331/803; F25D 2303/0841; F16K 17/36;  
F16K 17/363; F42B 30/02; F42B 5/02;  
B21K 1/025; A23P 30/00; A23P 20/18;  
A23L 5/00; A23L 27/00

See application file for complete search history.

**(56) References Cited**

U.S. PATENT DOCUMENTS

2,645,993 A \* 7/1953 Voss ..... A23B 4/052  
126/9 R  
D210,008 S \* 1/1968 Thompson ..... D25/16  
3,452,369 A \* 7/1969 Jones ..... A61H 33/06  
219/400  
D226,991 S \* 5/1973 Tegner ..... D24/185  
3,856,374 A \* 12/1974 Christen ..... A23B 4/052  
219/392  
3,861,378 A \* 1/1975 Rhoads ..... A21B 1/26  
126/21 A  
4,130,052 A \* 12/1978 Jacobson ..... A23B 4/052  
219/405  
4,213,381 A \* 7/1980 Ellis ..... A47J 39/00  
126/25 A  
4,336,443 A \* 6/1982 Benedetto ..... F27D 11/02  
126/21 A  
4,374,318 A \* 2/1983 Gilliom ..... A47J 37/0623  
126/21 A  
4,522,152 A \* 6/1985 Meyer ..... A01K 5/0275  
119/56.1

4,559,903 A \* 12/1985 Bloom ..... A01K 13/001  
119/416  
4,643,162 A \* 2/1987 Collins ..... A23B 4/052  
126/19 R  
4,730,100 A \* 3/1988 Pingelton ..... A47J 39/003  
219/386  
4,862,526 A \* 9/1989 Berger ..... A61H 33/06  
4/525  
D306,760 S \* 3/1990 Anderson ..... D25/16  
4,941,431 A \* 7/1990 Anderson ..... A01K 1/031  
119/420  
4,961,283 A \* 10/1990 Forbes ..... A01M 1/2094  
43/124  
4,979,436 A \* 12/1990 McGowan ..... A23B 4/052  
126/25 R  
5,083,558 A \* 1/1992 Thomas ..... A61G 10/02  
128/202.12  
5,094,188 A \* 3/1992 Wolak ..... A01K 1/0125  
119/168  
5,129,384 A \* 7/1992 Parks ..... A21B 1/26  
126/21 A  
5,148,768 A \* 9/1992 Hinton ..... A01K 1/0107  
119/482  
5,160,829 A \* 11/1992 Chang ..... A47J 37/0623  
126/21 A  
5,171,059 A \* 12/1992 Patrick ..... A47C 7/66  
135/901  
5,174,469 A \* 12/1992 Policapelli ..... B65D 1/165  
220/265  
5,178,100 A \* 1/1993 Monk ..... A01K 1/0125  
119/168  
5,394,791 A \* 3/1995 Vallee ..... A21B 1/44  
126/21 A  
5,416,931 A \* 5/1995 Wolfenden ..... A61H 33/06  
4/524  
5,431,129 A \* 7/1995 Clark ..... A01K 31/06  
119/459  
5,492,083 A \* 2/1996 Holladay ..... A01K 5/0114  
119/52.1  
5,676,090 A \* 10/1997 Cannady, Jr. .... A01K 1/0107  
119/165  
D388,177 S \* 12/1997 Murray ..... D25/16  
5,778,607 A \* 7/1998 Edwards ..... B08B 15/02  
454/230  
D402,498 S \* 12/1998 Howard ..... D23/209  
5,852,987 A \* 12/1998 Lamp, Jr. .... A01K 5/0142  
119/52.4  
D404,500 S \* 1/1999 Thomas ..... D25/16  
5,890,507 A \* 4/1999 Hinsperger ..... A45B 11/00  
135/137  
6,021,709 A \* 2/2000 Koopman ..... A21B 1/245  
126/21 A  
6,035,768 A \* 3/2000 Kaufman ..... A47J 33/00  
126/275 R  
6,176,201 B1 \* 1/2001 Fields ..... A01K 1/0107  
119/163  
6,295,949 B1 \* 10/2001 Willis ..... A01K 1/0114  
119/165  
6,644,178 B2 \* 11/2003 Clark ..... A23B 4/052  
426/233  
6,708,604 B1 \* 3/2004 Deichler, Jr. .... A47J 37/0763  
126/25 R  
6,880,544 B2 \* 4/2005 Hegge ..... A21B 1/26  
126/20  
6,913,011 B1 \* 7/2005 Snider ..... A47J 37/0704  
126/25 R  
D578,334 S \* 10/2008 Abrahams ..... D7/334  
7,451,691 B2 \* 11/2008 Robertson ..... A21B 3/04  
219/401  
D603,109 S \* 10/2009 Kim ..... D30/158  
7,703,386 B1 \* 4/2010 Bourgeois ..... A23B 4/0523  
99/340  
7,703,389 B2 \* 4/2010 McLemore ..... A47J 37/1209  
340/501  
D615,798 S \* 5/2010 McLemore ..... D7/332  
D694,567 S \* 12/2013 McLemore ..... D7/332

(56)

References Cited

U.S. PATENT DOCUMENTS

D702,480 S *	4/2014	Gates	.....	D7/332	2012/0060407 A1 *	3/2012	Lindsey	.....	A01M 1/2094
D704,981 S *	5/2014	Gates	.....	D7/332					43/124
D704,982 S *	5/2014	Gates	.....	D7/332	2012/0192479 A1 *	8/2012	Schmitz	.....	A01M 1/2094
8,720,322 B2 *	5/2014	West	.....	A47J 37/0704					43/132.1
				99/340	2012/0204852 A1 *	8/2012	Boucher	.....	A47J 37/0763
8,895,902 B2 *	11/2014	Shei	.....	A47J 39/003					126/30
				126/21 A	2012/0233764 A1 *	9/2012	Lee	.....	A61H 33/06
D726,858 S *	4/2015	McInerney	.....	D21/838					4/524
D748,941 S *	2/2016	Konzen	.....	D7/350.1	2012/0233907 A1 *	9/2012	Pattison	.....	A01M 1/2094
D751,612 S *	3/2016	Kojima	.....	D15/122					43/124
D775,446 S *	12/2016	Derouin	.....	D34/1	2012/0312246 A1 *	12/2012	Doumas	.....	A01K 13/001
D788,318 S *	5/2017	Jennings	.....	D25/16					119/606
9,675,047 B2 *	6/2017	Carter	.....	A01K 13/001	2013/0145681 A1 *	6/2013	Lindsey	.....	A01M 1/2094
2004/0154093 A1 *	8/2004	Akhtar	.....	A61H 33/06					43/124
				4/526	2014/0345041 A1 *	11/2014	Barghelame	.....	A61H 33/066
2007/0044227 A1 *	3/2007	Reeder	.....	A47K 3/30					4/526
				4/596	2015/0181857 A1 *	7/2015	Mladek	.....	A01M 1/2094
2007/0175097 A1 *	8/2007	Thorne	.....	E06B 7/32					43/132.1
				49/169	2015/0264948 A1 *	9/2015	Gridley	.....	A23B 4/052
2007/0186868 A1 *	8/2007	Dietrich	.....	A22B 3/00					99/481
				119/678	2015/0335526 A1 *	11/2015	Lee	.....	A61H 33/06
2008/0066740 A1 *	3/2008	Hintergardt	.....	A61D 7/00					4/524
				128/200.14	2016/0353929 A1 *	12/2016	McLemore	.....	A47J 37/0727
					2017/0094984 A1 *	4/2017	Blue	.....	A23B 4/052
					2017/0135522 A1 *	5/2017	Hingorani	.....	A47J 37/0763

\* cited by examiner

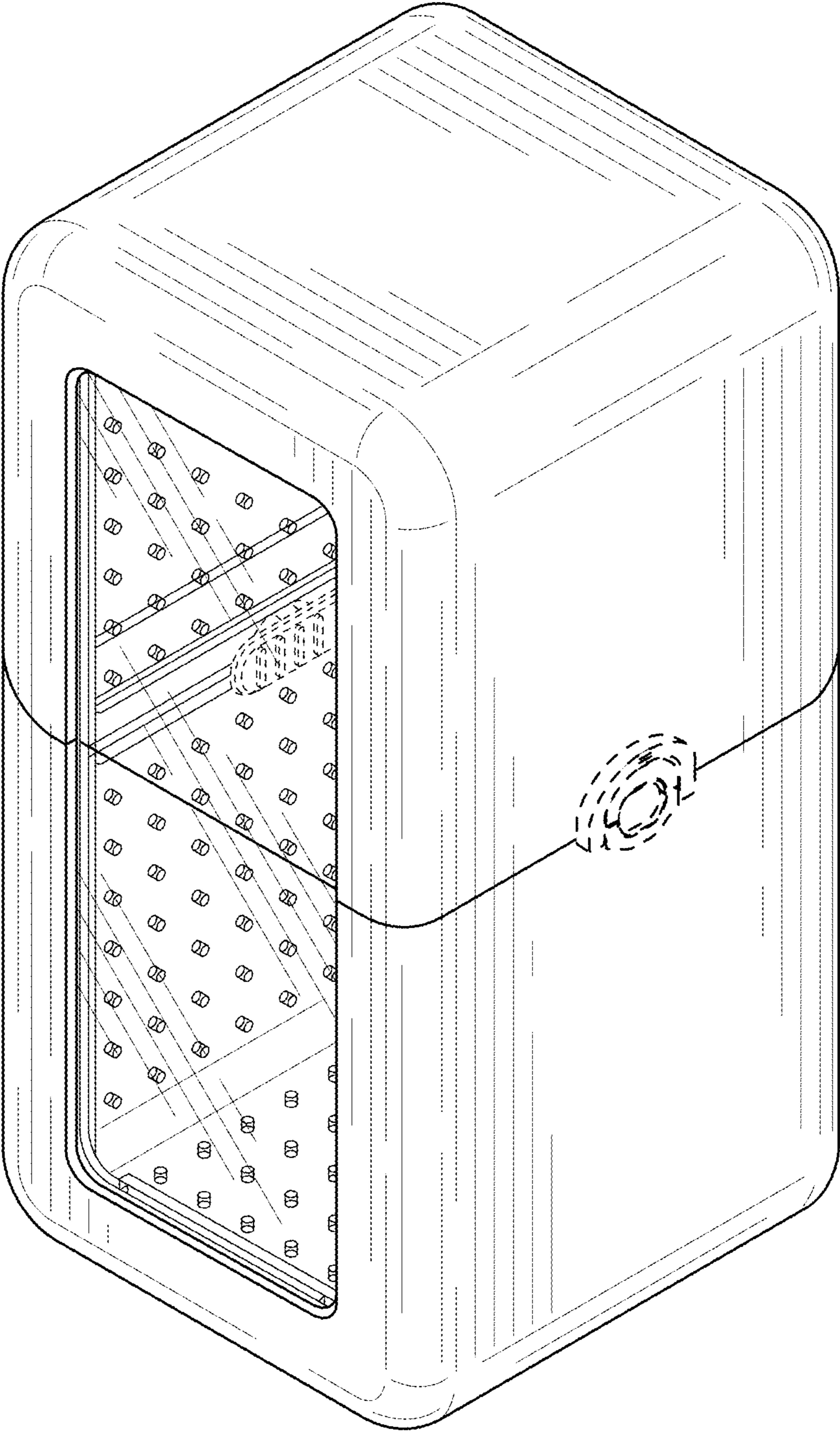


FIG. 1

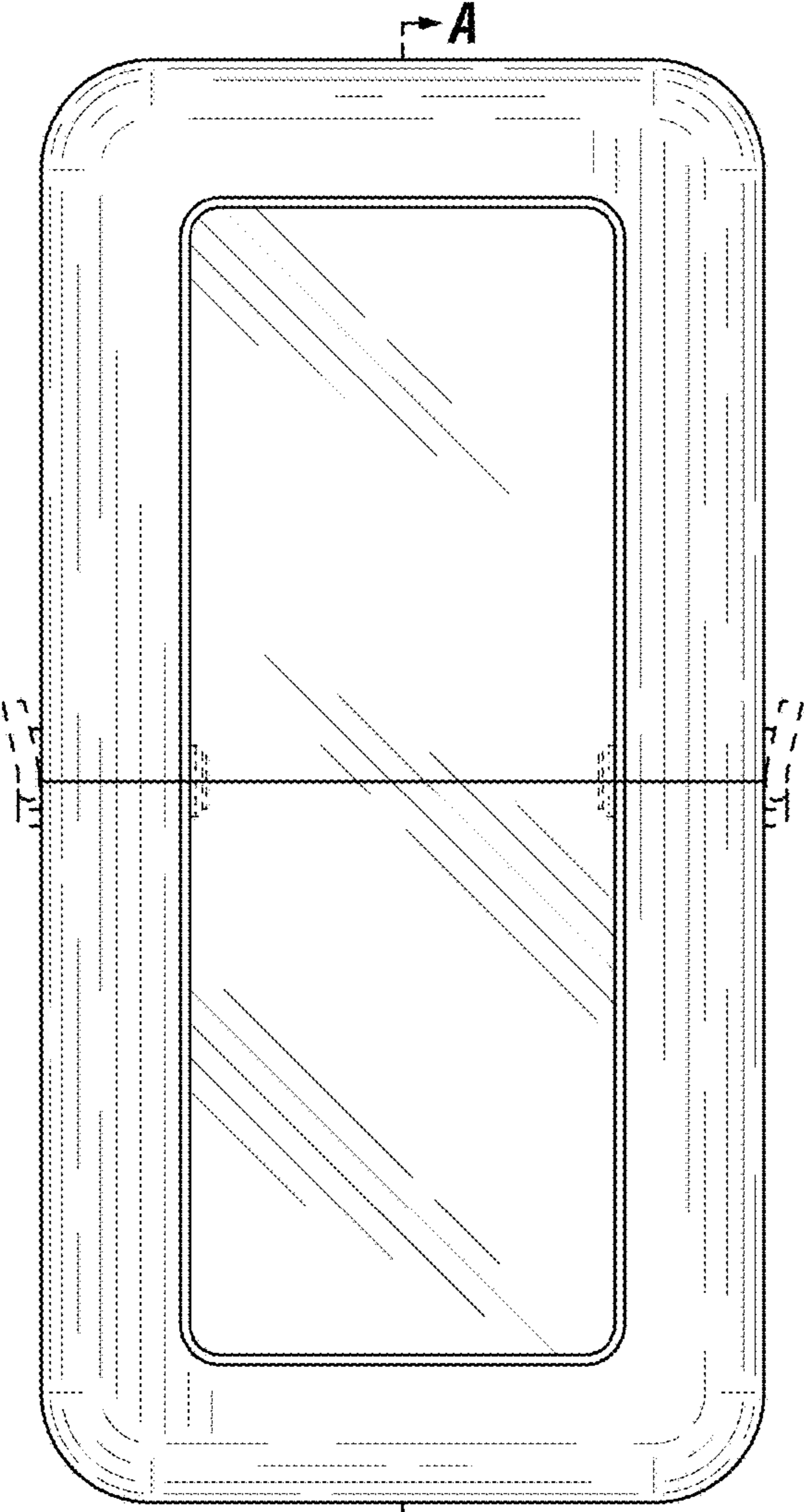


FIG. 2

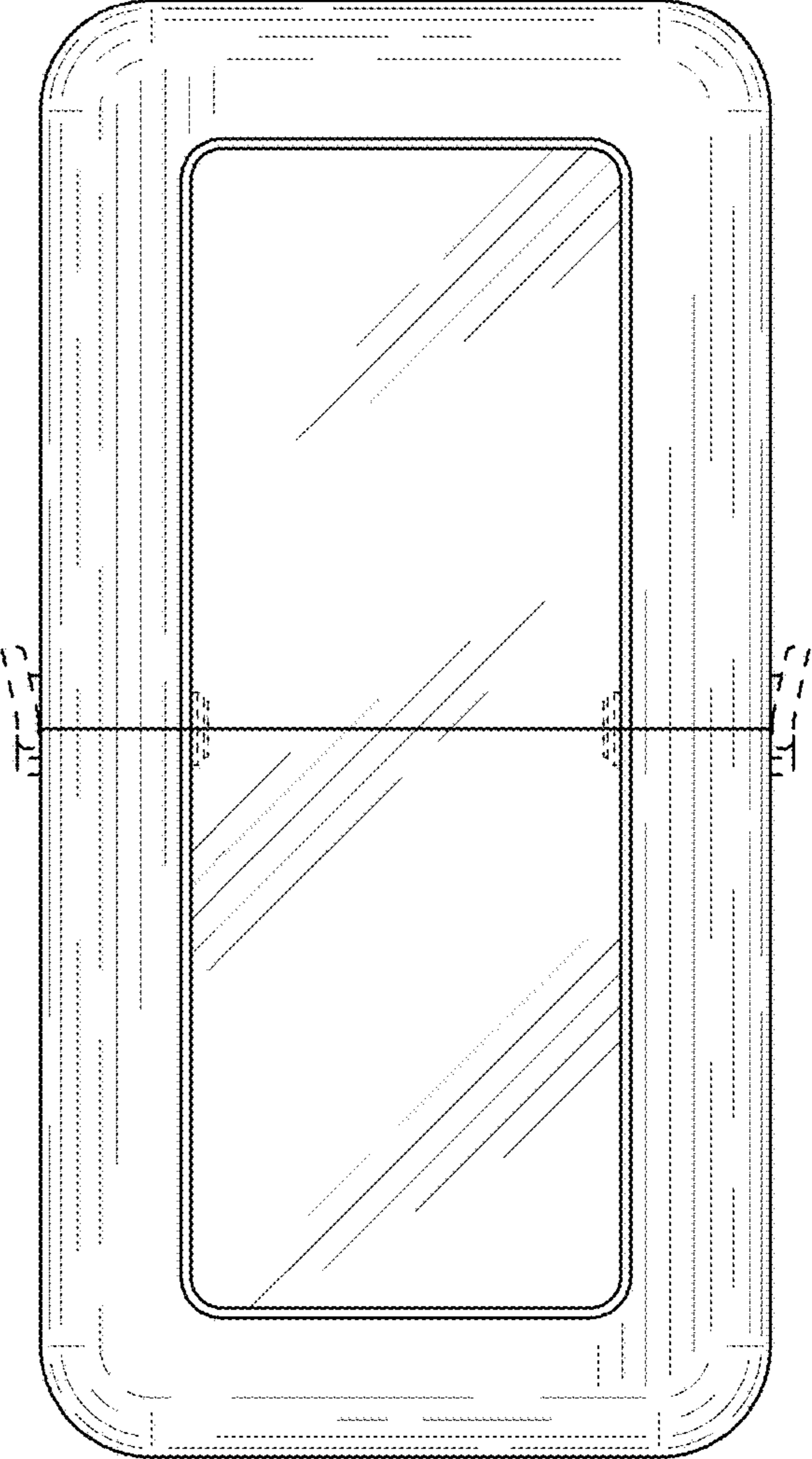


FIG. 3

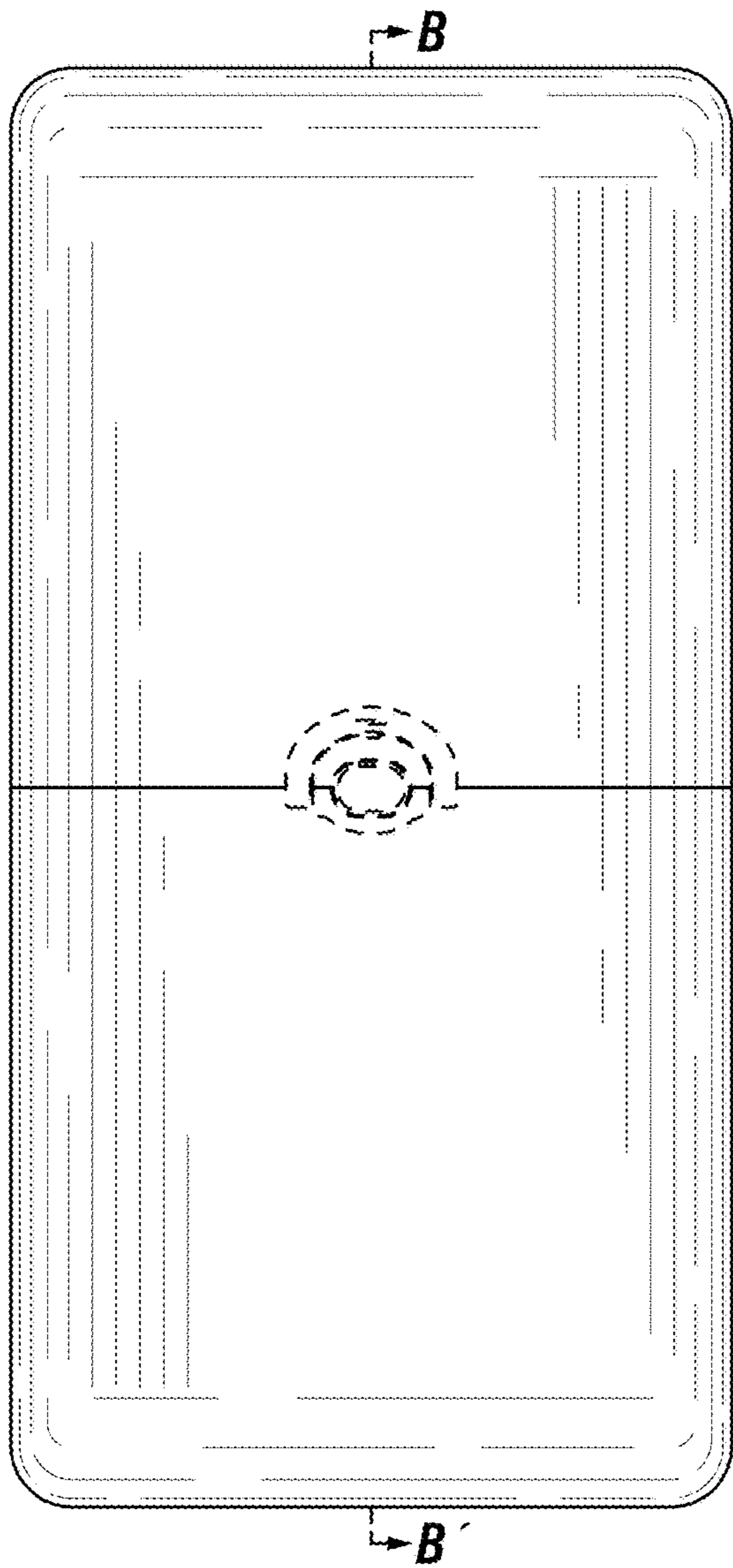


FIG. 4

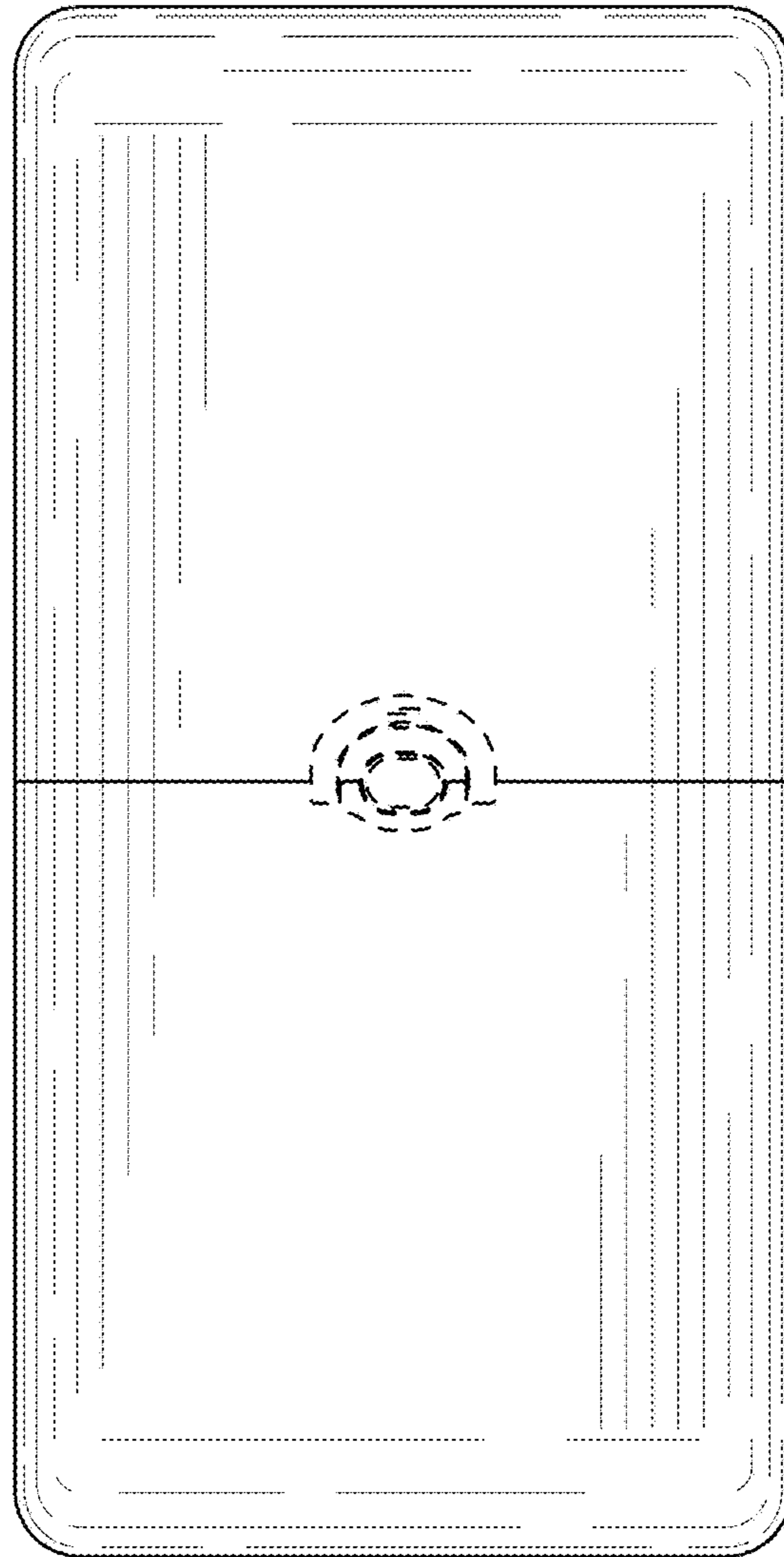
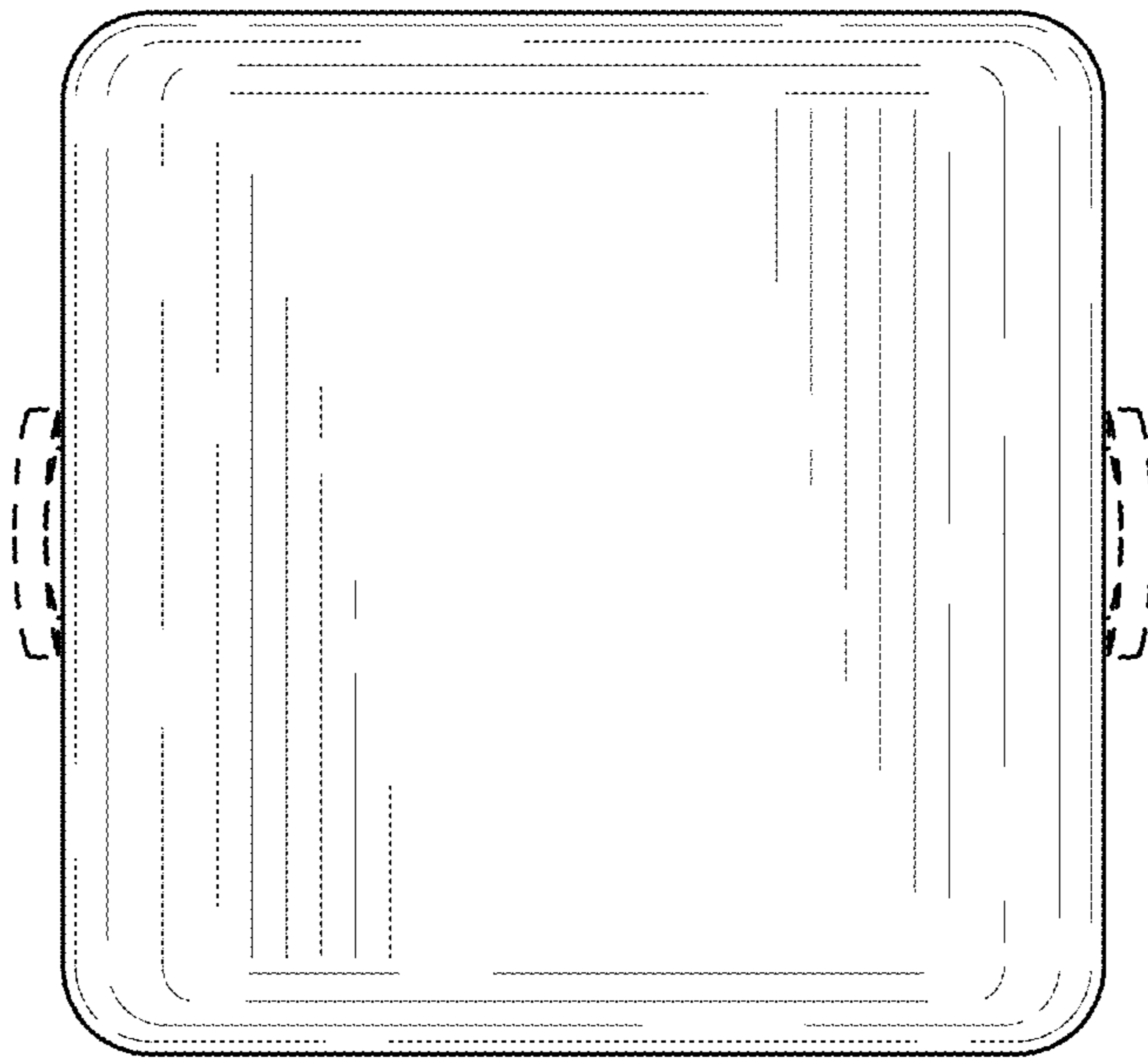
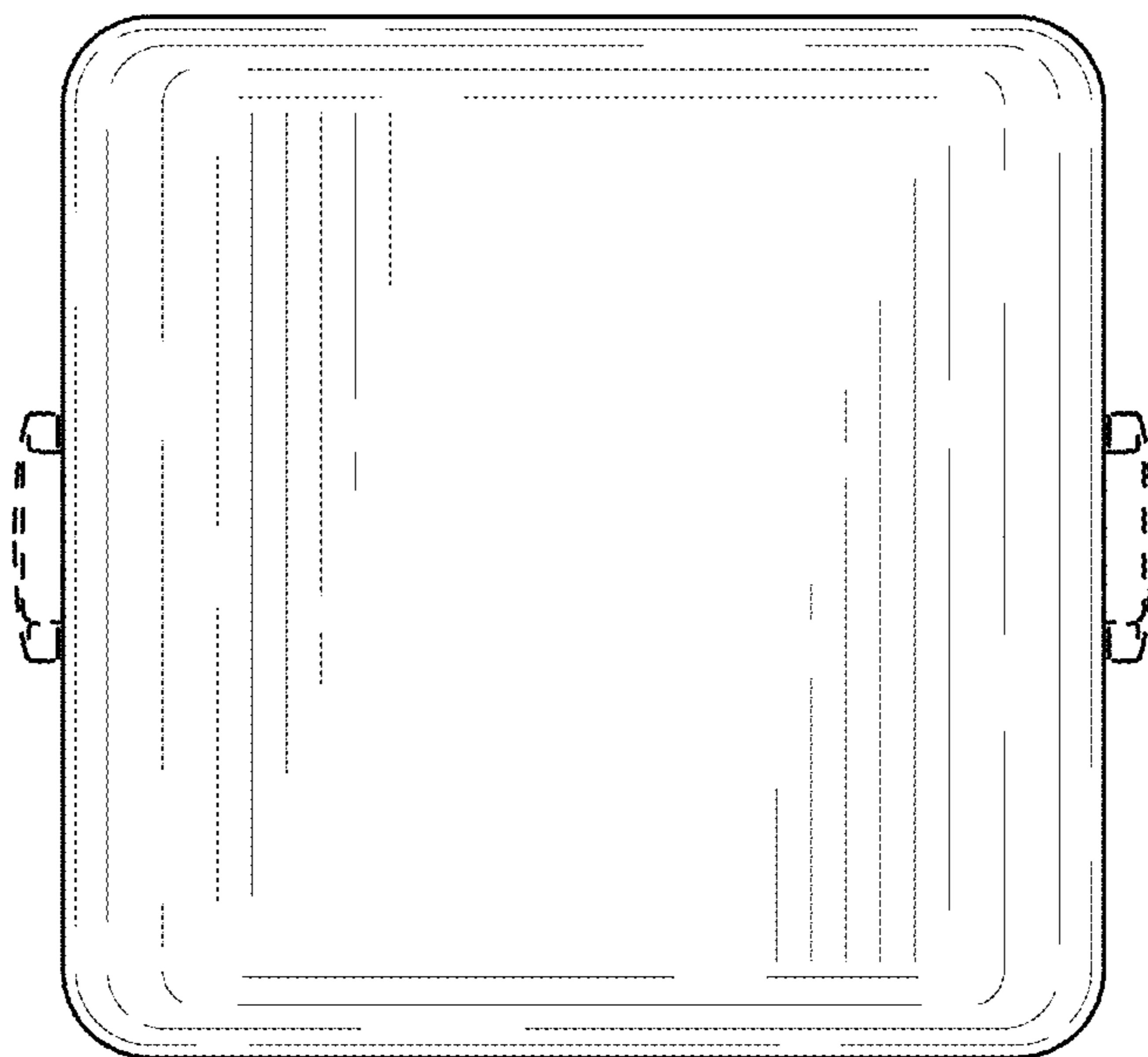


FIG. 5



**FIG. 6**



**FIG. 7**

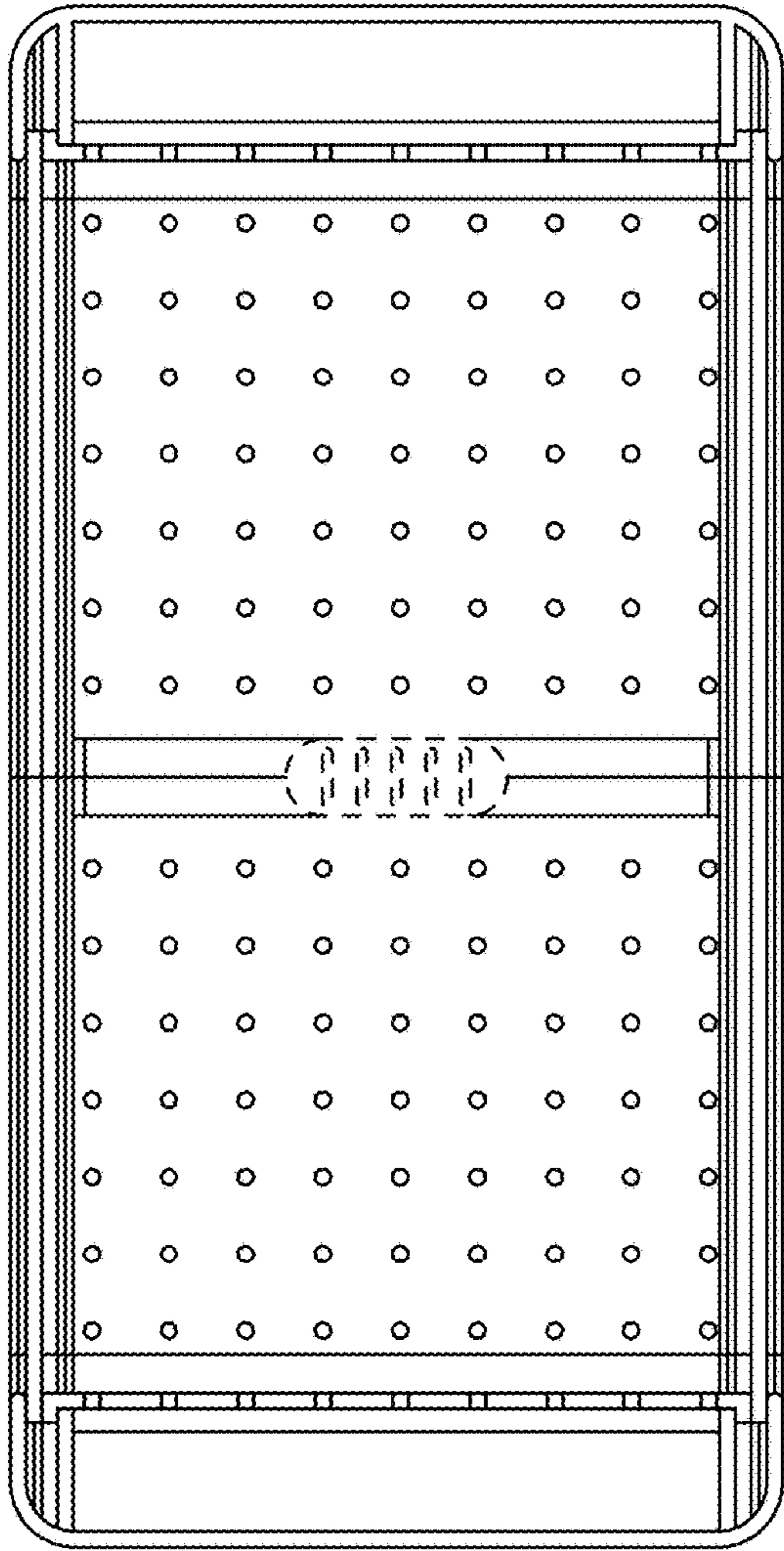


FIG. 8

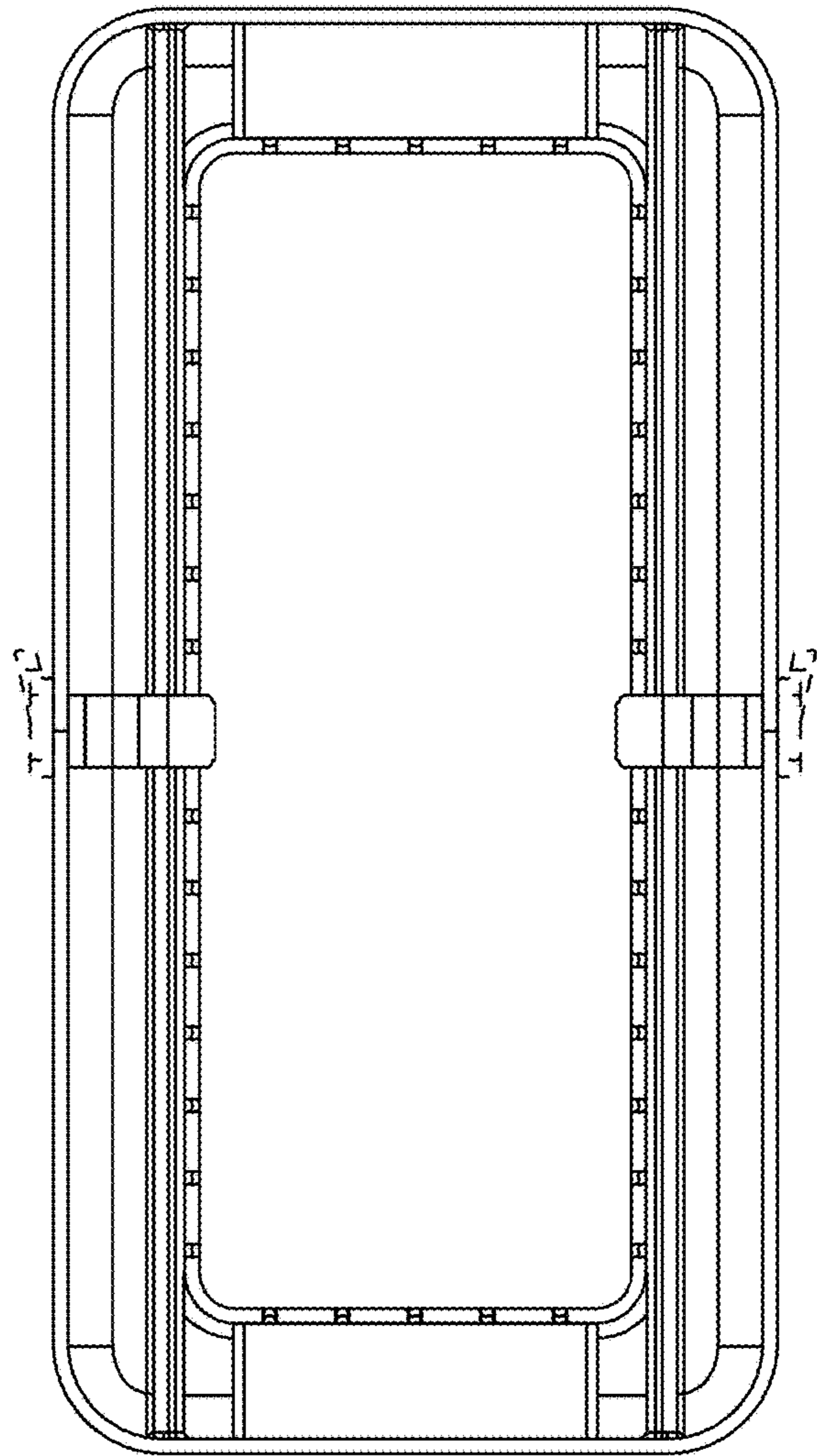


FIG. 9



FIG. 10

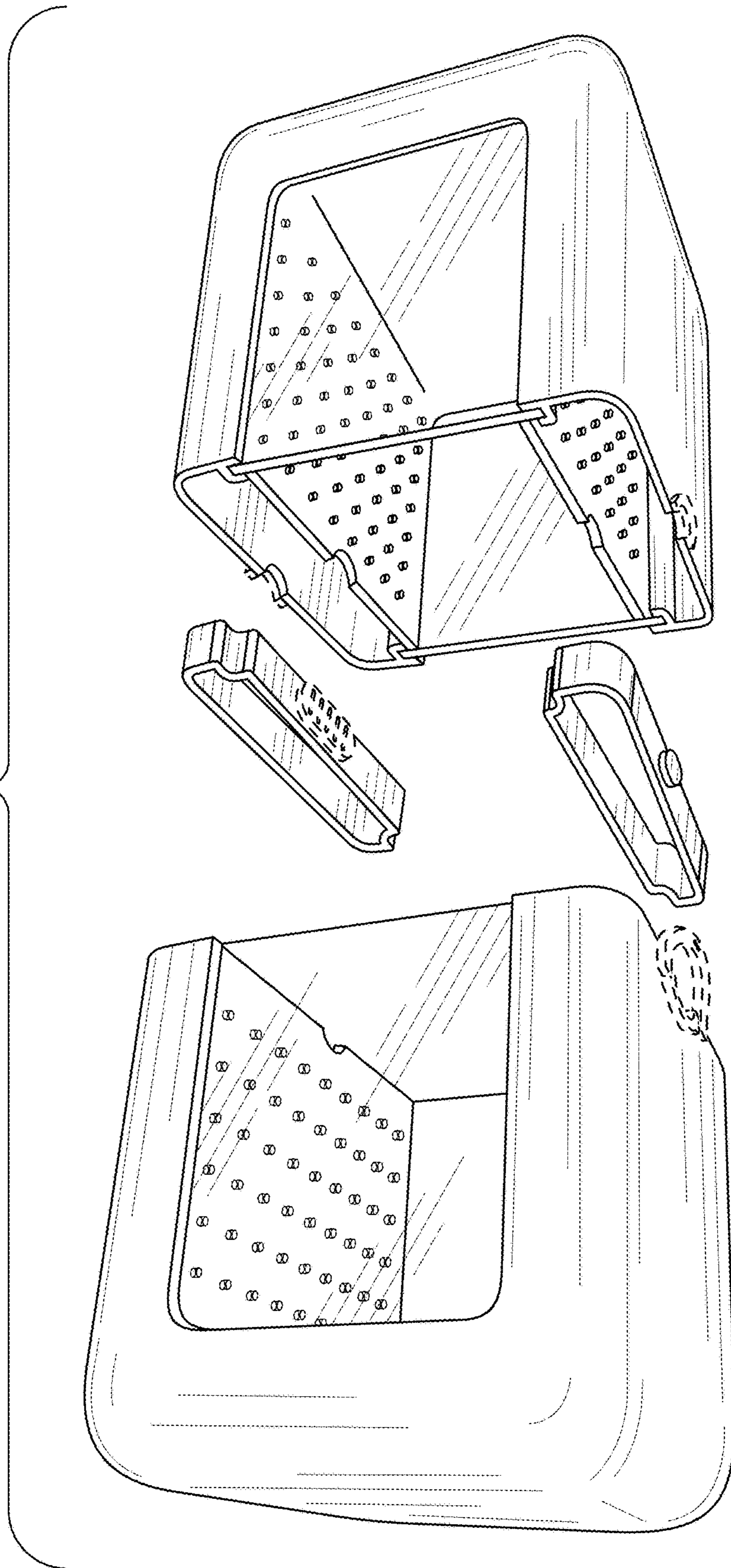
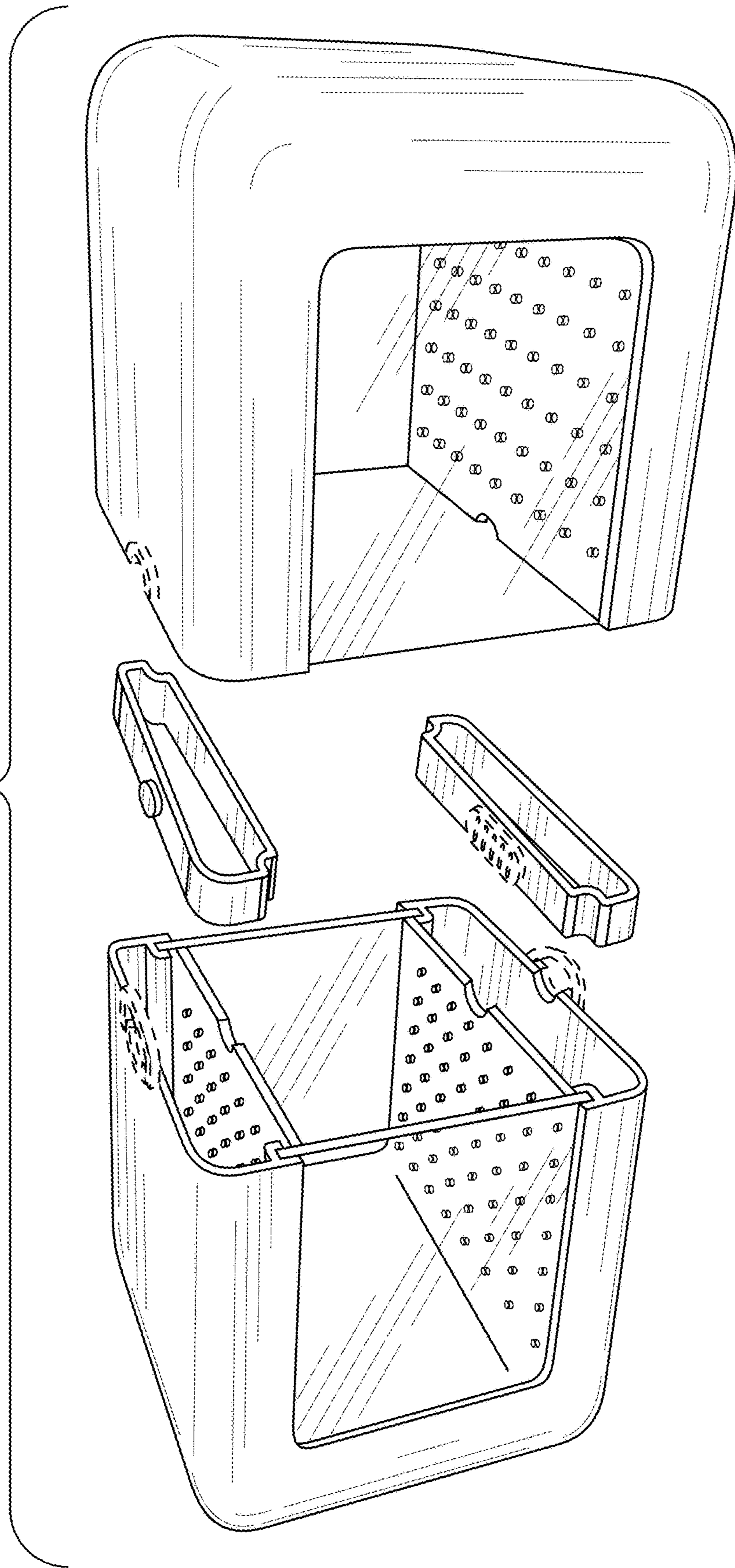


FIG. 11



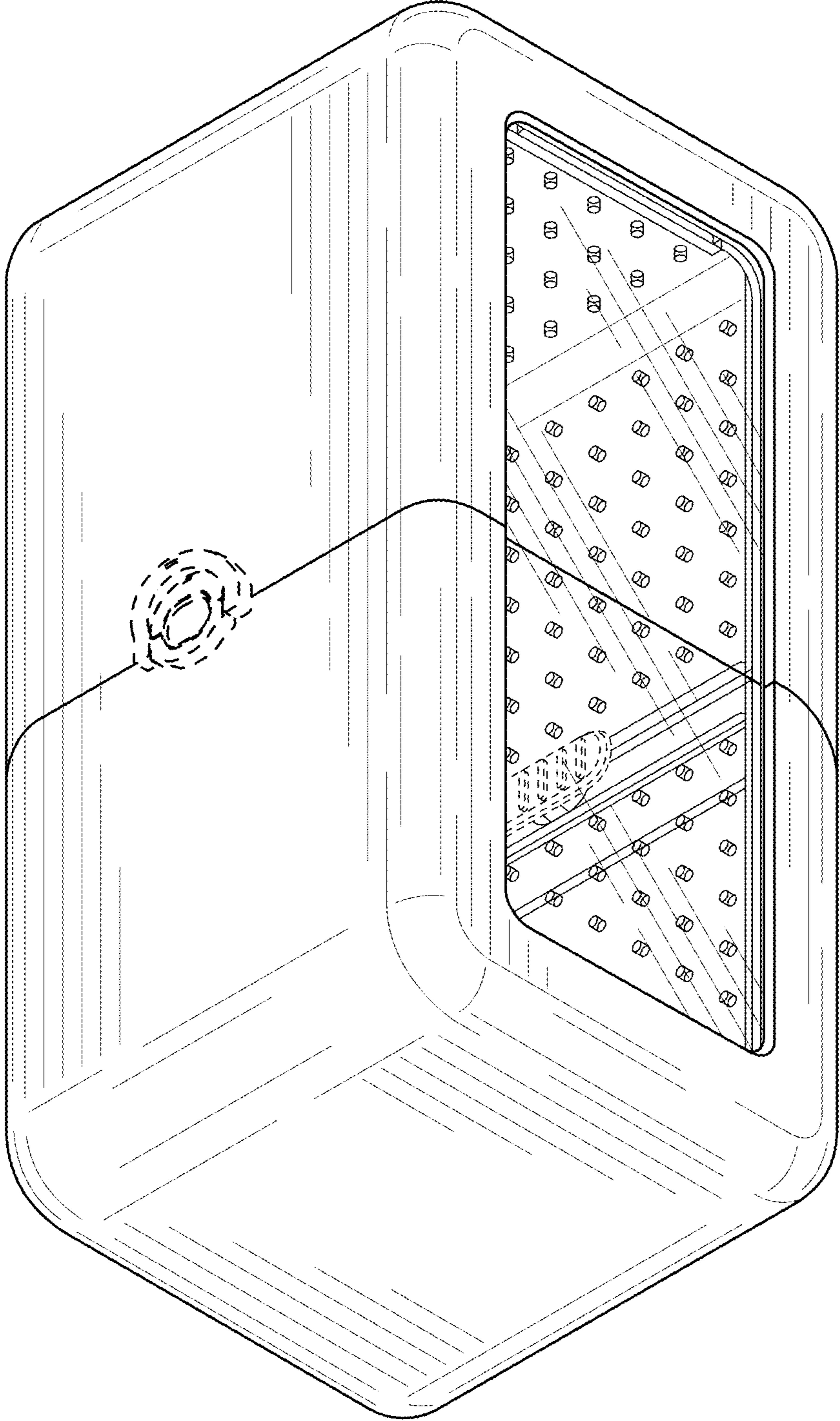


FIG. 12

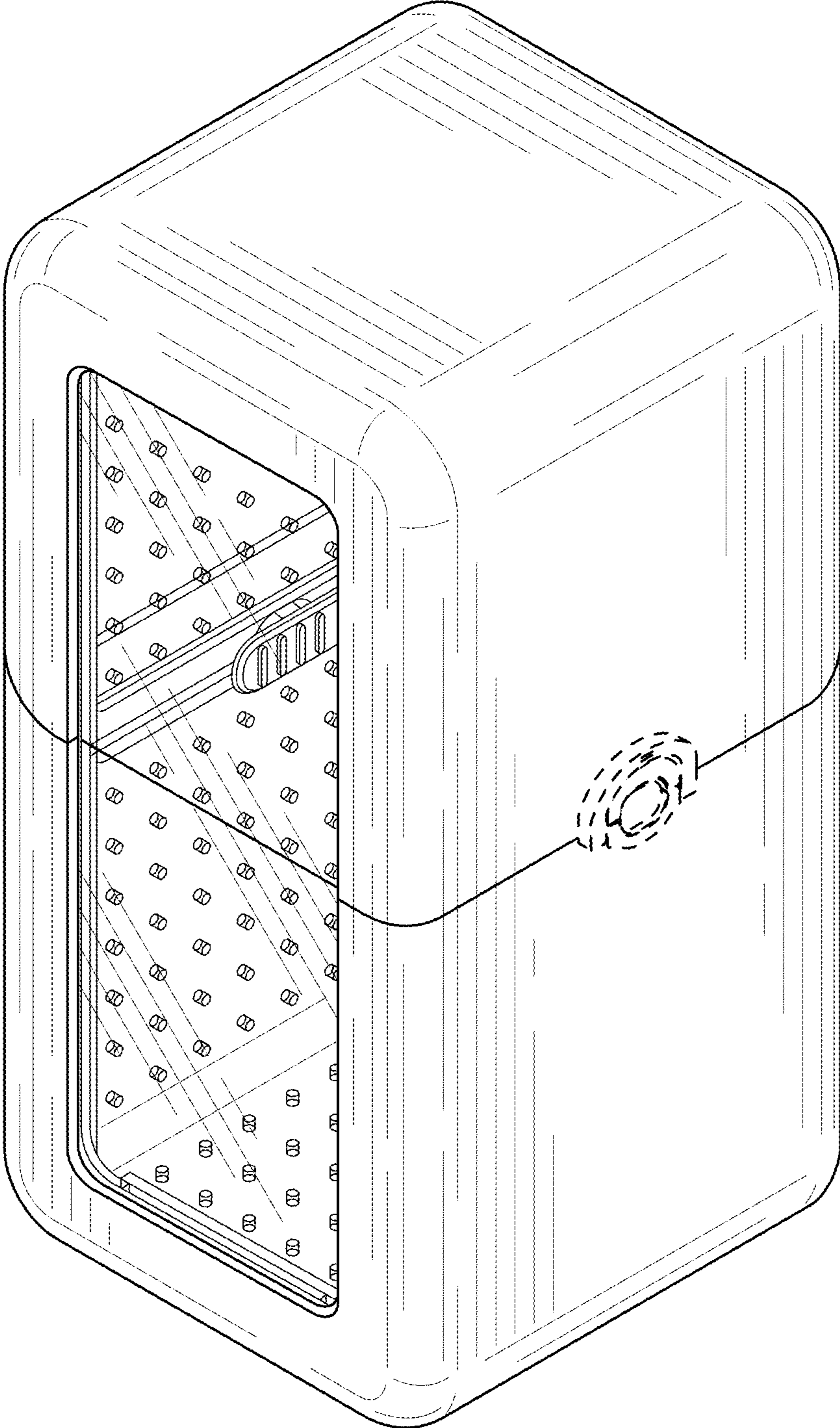


FIG. 13

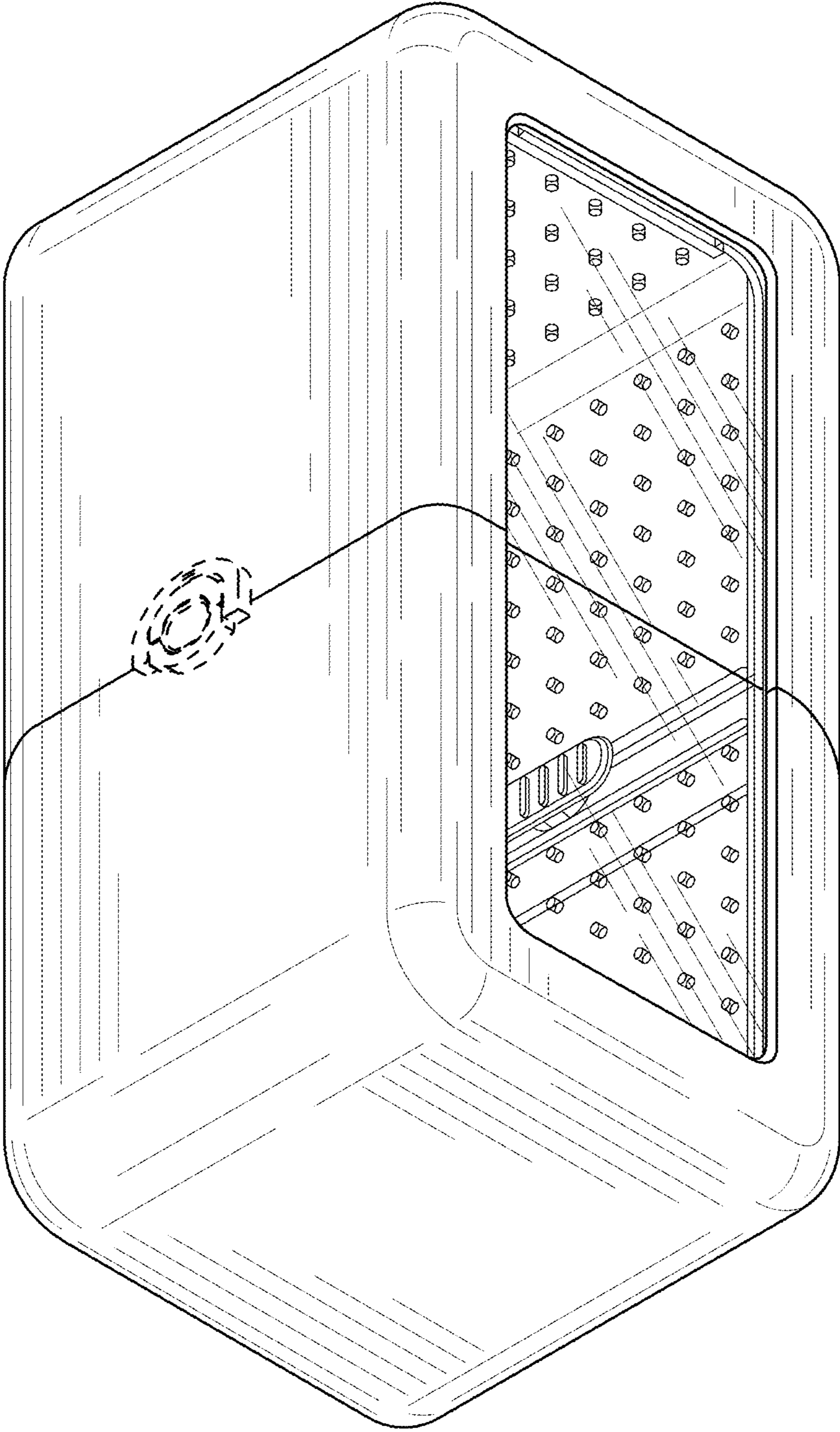


FIG. 14