



US00D811668S

(12) **United States Design Patent**
Peavy

(10) **Patent No.:** **US D811,668 S**

(45) **Date of Patent:** **** Feb. 27, 2018**

- (54) **ANIMAL DOOR GUARD**
- (71) Applicant: **Tammy Peavy**, Tampa, FL (US)
- (72) Inventor: **Tammy Peavy**, Tampa, FL (US)
- (**) Term: **15 Years**
- (21) Appl. No.: **29/541,455**
- (22) Filed: **Oct. 2, 2015**
- (51) **LOC (11) Cl.** **30-03**
- (52) **U.S. Cl.**
USPC **D30/199**
- (58) **Field of Classification Search**
USPC D30/199, 108, 119; 160/40-43, 13, 15,
160/17, 87, 94-103, 105-107, 24, 10,
160/296, 305, 309, 313, 301, 315, 323.1,
160/293.1, 23.1, 317, 231.1, 290.1, 302;
49/9, 58-66, 128-130, 147; 119/416,
119/426; 256/24, 1, 25; 340/573.4
CPC .. A01K 1/035; A01K 3/00; E06B 9/08; E06B
9/11; E06B 9/115; E06B 9/15; E06B
9/40; E06B 9/0692; E06B 2009/002;
E06B 2009/135
See application file for complete search history.

- 6,089,302 A * 7/2000 Britt E06B 9/08
160/28
- 6,302,179 B1 * 10/2001 Miller E06B 9/165
160/133
- 6,375,165 B1 * 4/2002 Sherratt E06B 9/0692
256/1
- 6,390,526 B1 * 5/2002 Ament B60R 5/047
160/276
- 6,435,250 B1 * 8/2002 Pichik E06B 9/02
160/24
- 6,478,070 B2 * 11/2002 Poppema E06B 9/54
160/23.1
- 6,536,502 B2 * 3/2003 Britto E06B 9/08
160/23.1
- 6,575,435 B1 * 6/2003 Kotzen E04H 4/06
160/10

(Continued)

Primary Examiner — Susan Moon Lee

(74) *Attorney, Agent, or Firm* — Gulf Coast Intellectual Property Group

(57) **CLAIM**

The ornamental design for the animal door guard, as shown and described.

DESCRIPTION

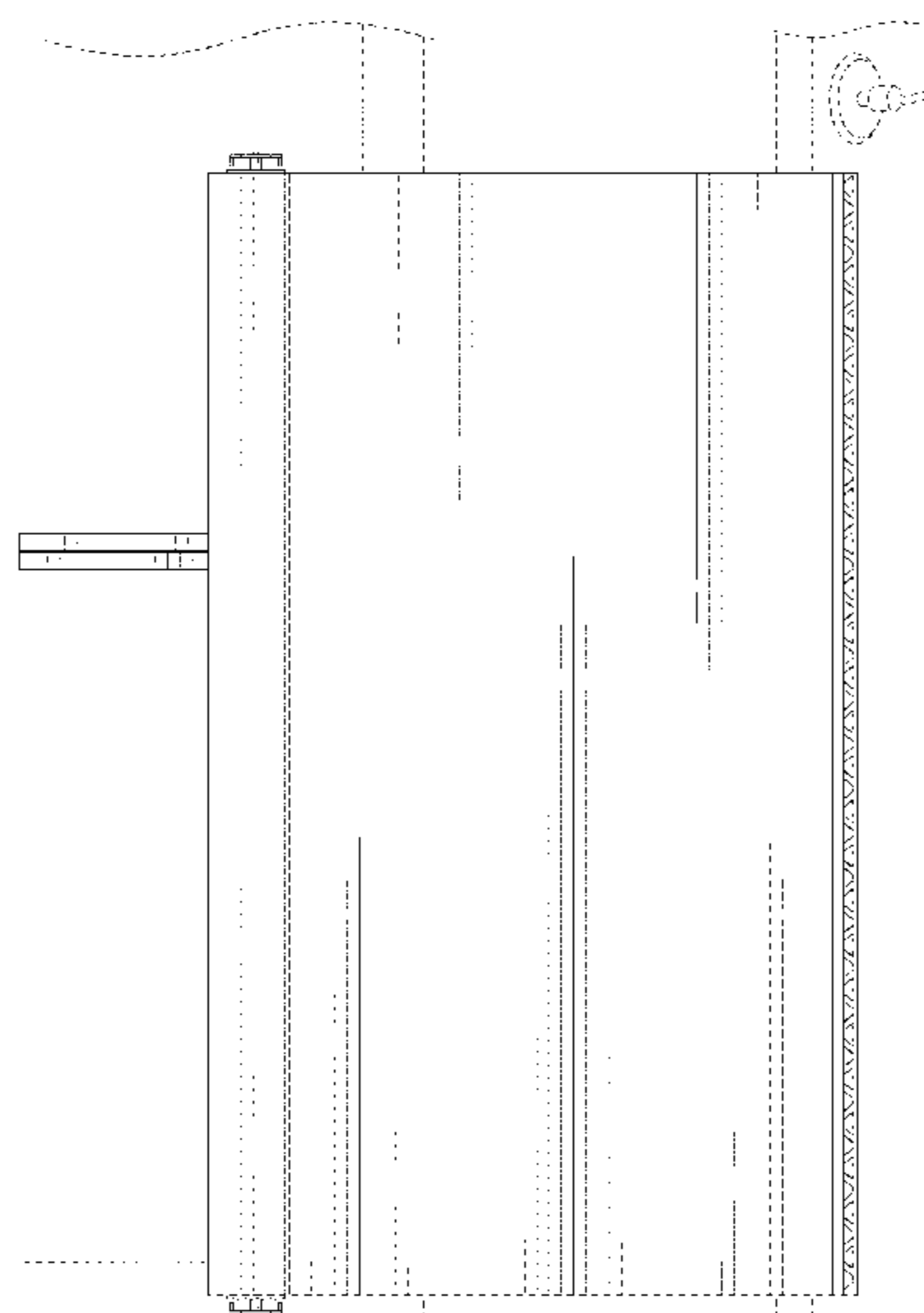
FIG. 1 is a perspective view of the present invention in its stored position; and
 FIG. 2 is a side view of the present invention in its stored position; and
 FIG. 3 is a top view of the present invention in its stored position; and
 FIG. 4 is a top view of the present invention in its deployed position; and
 FIG. 5 is a front view of the present invention in its deployed position; and,
 FIG. 6 is a rear view of the present invention in its deployed position.
 The broken lines depict environment for illustrative purposes and form no part of the design claim.

1 Claim, 5 Drawing Sheets

(56) **References Cited**

U.S. PATENT DOCUMENTS

- 504,936 A * 9/1893 Niles E04H 17/00
256/12
- 3,732,913 A * 5/1973 Wrono E06B 9/15
160/133
- 5,123,474 A * 6/1992 Smith E06B 9/13
160/273.1
- 5,636,679 A * 6/1997 Miller E06B 9/08
160/23.1
- 5,660,144 A * 8/1997 Venti A01K 1/035
119/416
- 5,690,317 A * 11/1997 Sandsborg E06B 9/08
160/300



(56)

References Cited

U.S. PATENT DOCUMENTS

6,733,204 B1 *	5/2004	Paniccia	E01F 7/06 160/238	9,121,208 B2 *	9/2015	Nur-tegin	E05D 15/02
6,854,505 B2 *	2/2005	Grubb	E06B 9/80 160/291	9,307,741 B1 *	4/2016	McNee	E06B 7/28
6,991,019 B2 *	1/2006	Chang	E06B 9/42 160/24	9,482,052 B2 *	11/2016	Sousa	E01F 13/028
7,219,709 B1 *	5/2007	Williams	E01F 13/028 160/24	9,598,896 B1 *	3/2017	Pichik	E06B 9/08
7,438,111 B2 *	10/2008	Grimes	E06B 9/08 160/23.1	2002/0046513 A1 *	4/2002	Wiener	A01K 39/0113 52/101
7,438,112 B2 *	10/2008	Cheng	E01F 13/028 160/24	2005/0028752 A1 *	2/2005	Thibault	A01K 1/0017 119/524
7,461,683 B2 *	12/2008	Wang	E06B 9/44 160/291	2005/0087308 A1 *	4/2005	Vaughan	E06B 9/40 160/24
7,832,037 B2 *	11/2010	Overton	B60N 3/001 5/122	2005/0173078 A1 *	8/2005	Perez, Jr.	A01K 1/035 160/99
8,191,604 B2 *	6/2012	Wang	E06B 9/0692 160/23.1	2006/0011309 A1 *	1/2006	Vicari	E06B 9/40 160/24
8,881,787 B2 *	11/2014	Wang	E06B 9/60 160/24	2008/0136205 A1 *	6/2008	Hoffman	B60R 21/06 296/24.46
					2010/0229802 A1 *	9/2010	Bok	A01K 3/00 119/416
					2011/0023365 A1 *	2/2011	Kilfoyle	E06B 7/32 49/70
					2011/0225892 A1 *	9/2011	Tierney	E06B 7/32 49/472

* cited by examiner

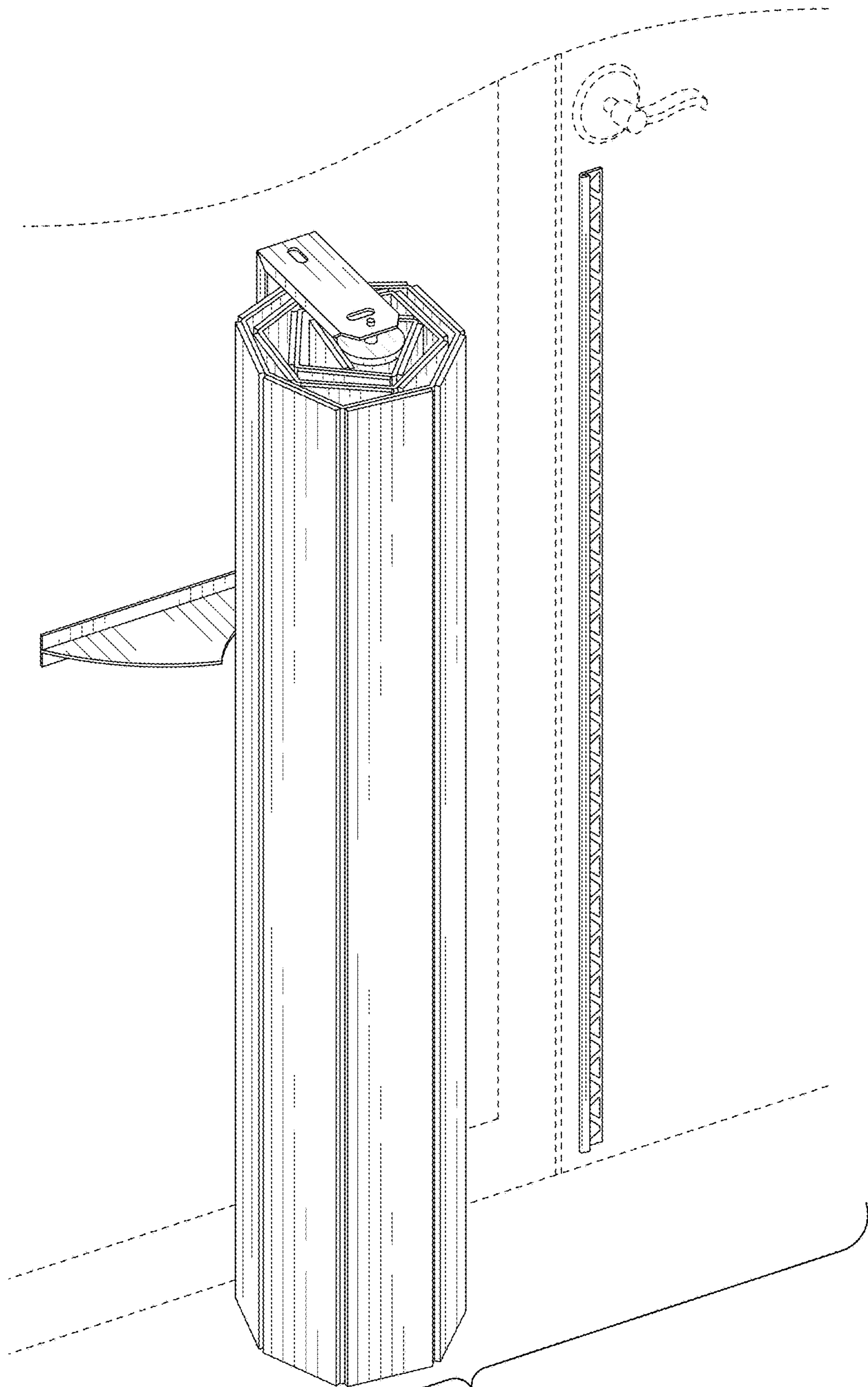


FIG. 1

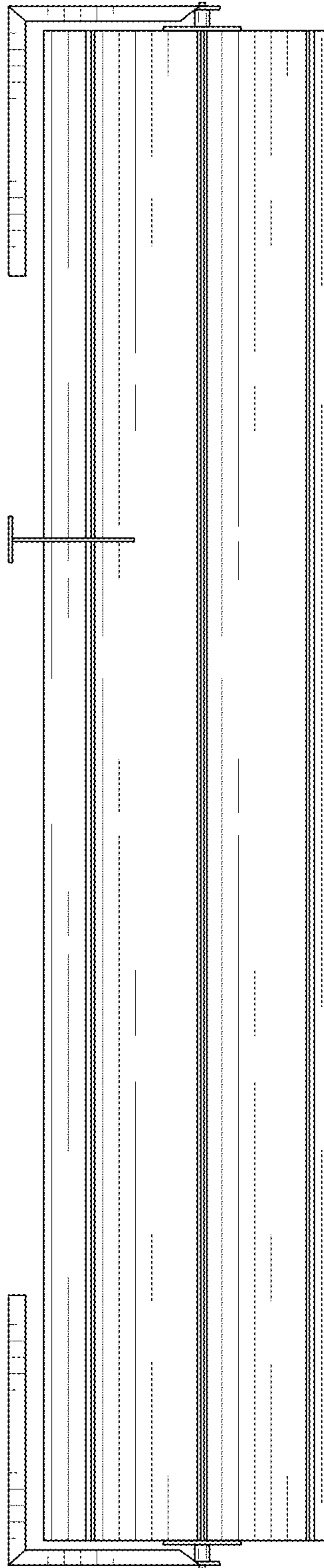


FIG. 2

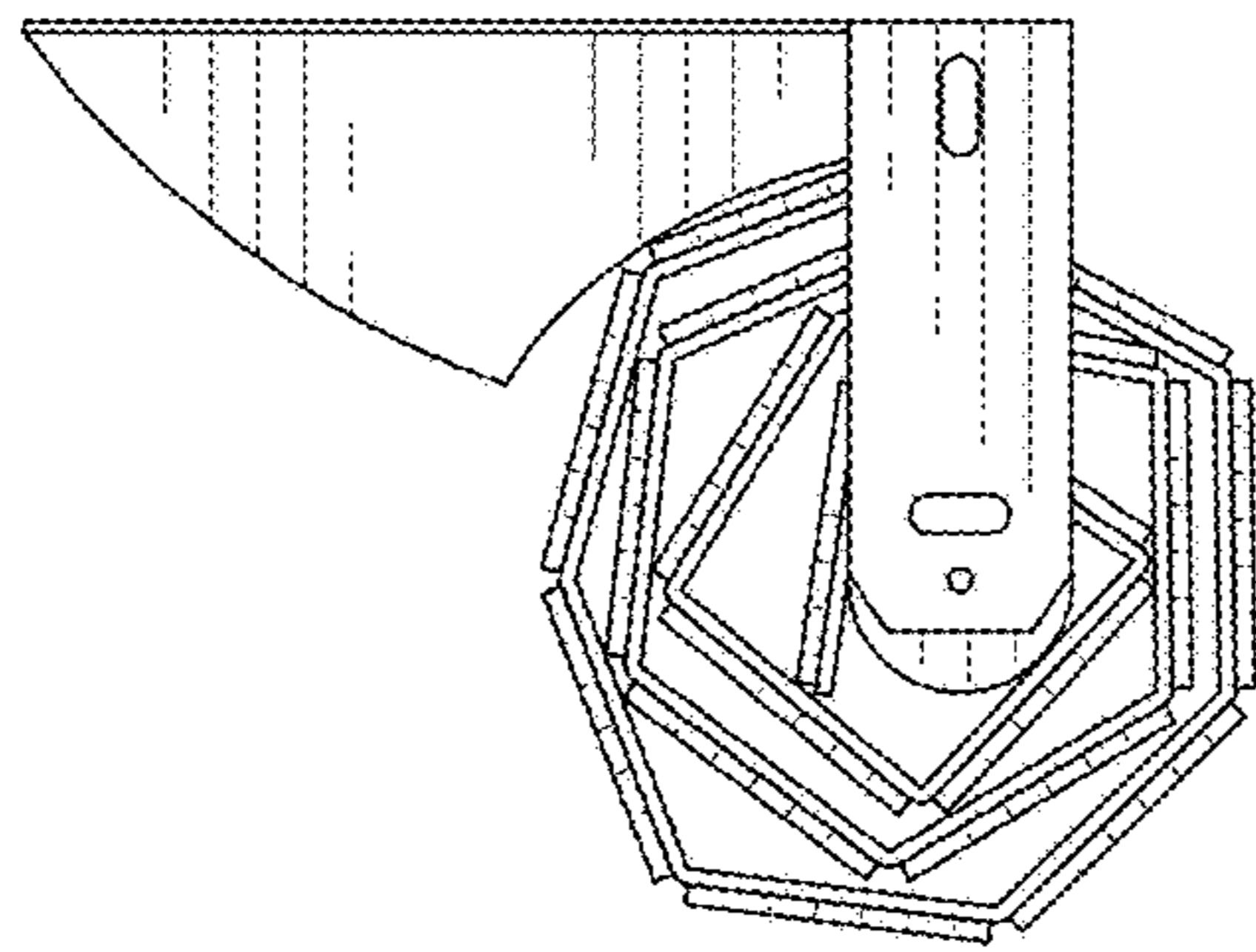
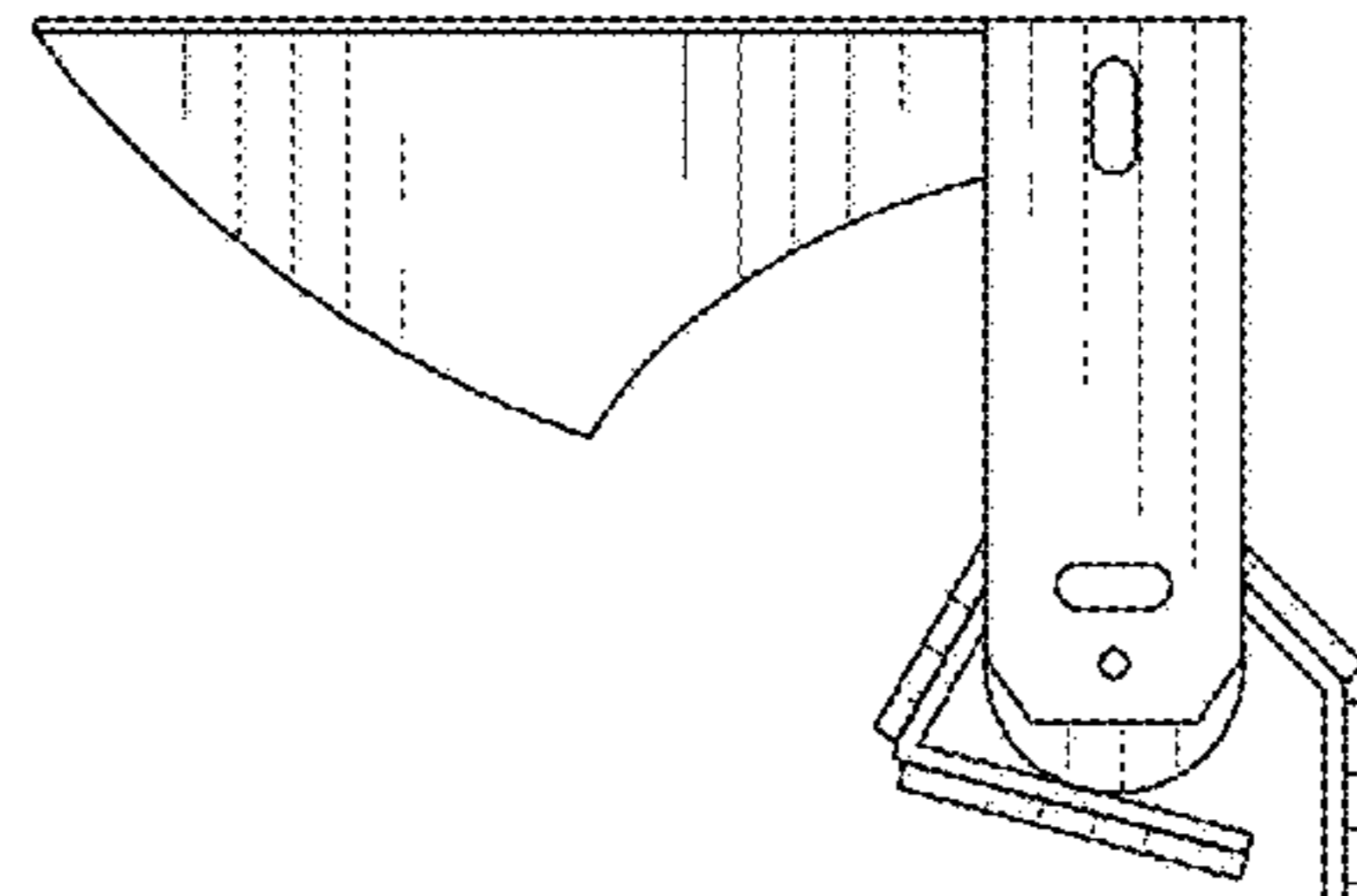


FIG. 3

FIG. 4



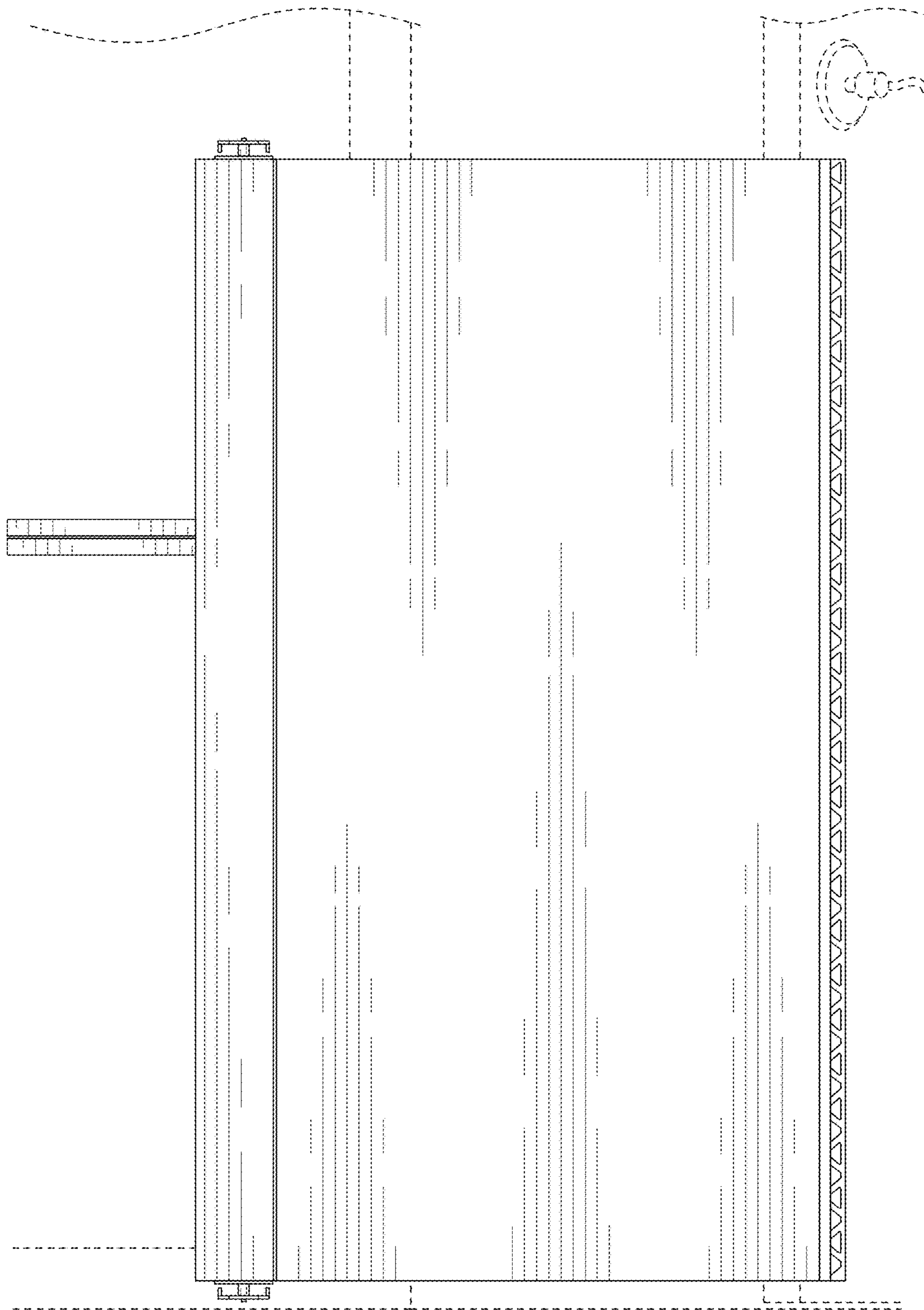


FIG. 5

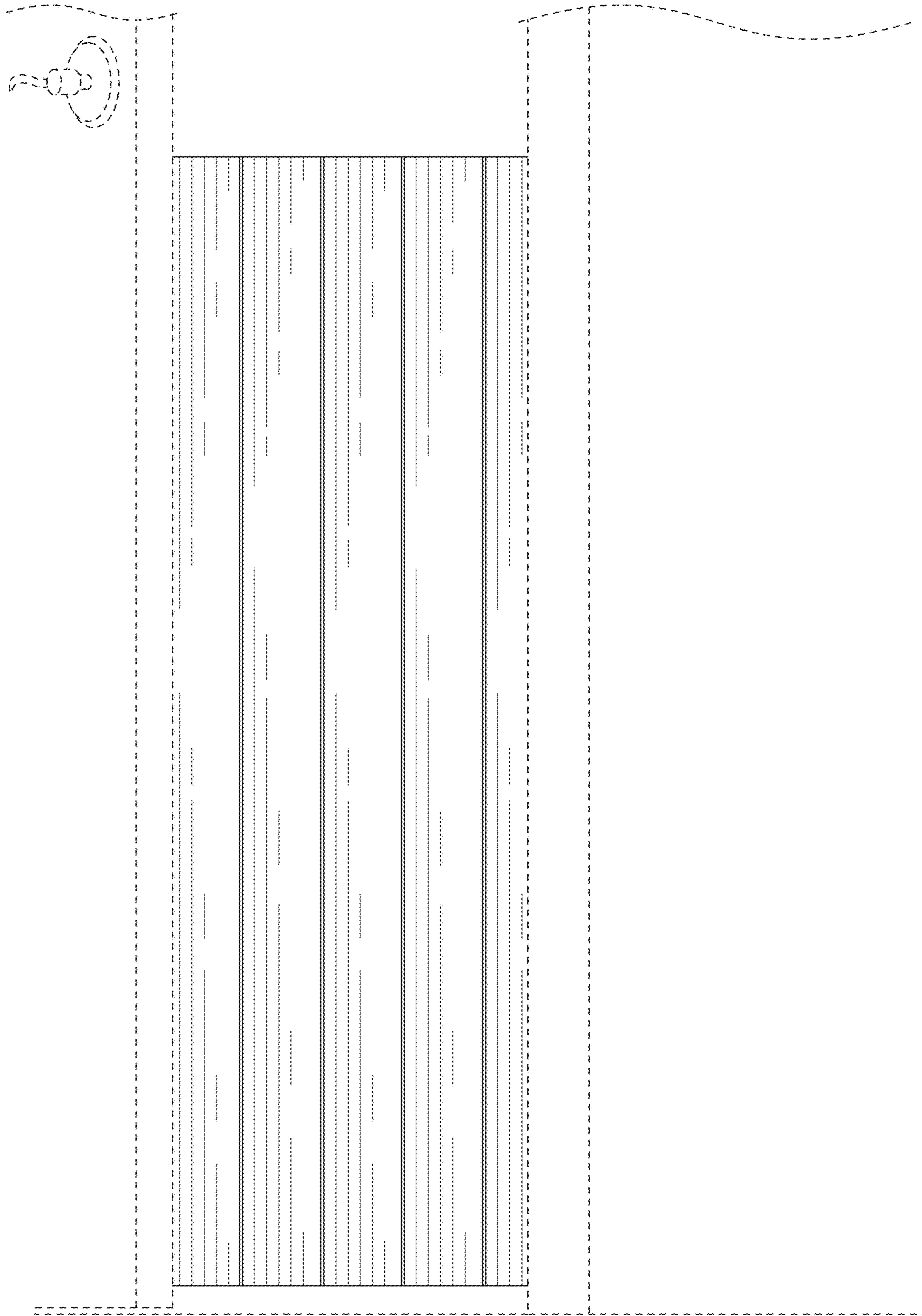


FIG. 6