



US00D811667S

(12) **United States Design Patent**
Renforth

(10) **Patent No.:** **US D811,667 S**

(45) **Date of Patent:** **** Feb. 27, 2018**

- (54) **LITTER SCOOP**
- (71) Applicant: **Doskocil Manufacturing Company, Inc.**, Arlington, TX (US)
- (72) Inventor: **Jack Renforth**, Azle, TX (US)
- (73) Assignee: **DOSKOCIL MANUFACTURING COMPANY, INC.**, Arlington, TX (US)
- (**) Term: **15 Years**
- (21) Appl. No.: **29/597,357**

- (22) Filed: **Mar. 16, 2017**
- (51) **LOC (11) Cl.** **30-99**
- (52) **U.S. Cl.**
USPC **D30/162**

- (58) **Field of Classification Search**
USPC D30/162, 161, 199; 119/867, 161, 166, 119/174; D8/13, 10; D9/430; 294/1.3-1.5, 19.1, 49, 50, 50.5, 55, 179, 294/176, 180, 3, 7, 99.2, 177, 59, 57; 209/418, 419; 15/257.1, 257.2, 1.7; 210/464, 465, 470, 472; D7/692; D21/532; D32/74
CPC A01K 1/01; A01K 1/011; A01K 1/0128; A01K 1/0132; E01H 1/12; E01H 1/1206; E01H 2001/122; E01H 2001/1226; E01H 2001/1233; E01H 2001/1246; E01H 2001/126; E01H 2001/1266; E01H 2001/1273; E01H 2001/128; B07B 1/00; B07B 1/005; B07B 1/02; E04H 4/1609; F24B 15/08

See application file for complete search history.

(56) **References Cited**

U.S. PATENT DOCUMENTS

- D332,675 S * 1/1993 Simon 294/1.3
- D347,497 S * 5/1994 VanSkiver 294/1.3
- D416,359 S * 11/1999 Schlueter D30/162

- 6,022,058 A * 2/2000 O'Rourke A01K 1/0114
209/418
- 6,039,368 A * 3/2000 Kowalczyk A01K 1/0114
119/161
- D426,353 S * 6/2000 Renforth D30/162
- D429,853 S * 8/2000 Hammond D30/162
- 6,234,549 B1 * 5/2001 Brownell A01K 1/0114
294/1.3
- 6,312,029 B1 * 11/2001 Renforth A01K 1/0114
209/418
- 6,578,807 B1 * 6/2003 Lipscomb A01K 1/0114
248/314
- D480,519 S * 10/2003 Firth D30/162
- D485,025 S * 1/2004 Edwards A47L 13/52
D30/162

(Continued)

Primary Examiner — Susan Moon Lee

(74) *Attorney, Agent, or Firm* — Global IP Counselors, LLP

(57) **CLAIM**

The ornamental design for a litter scoop, as shown and described.

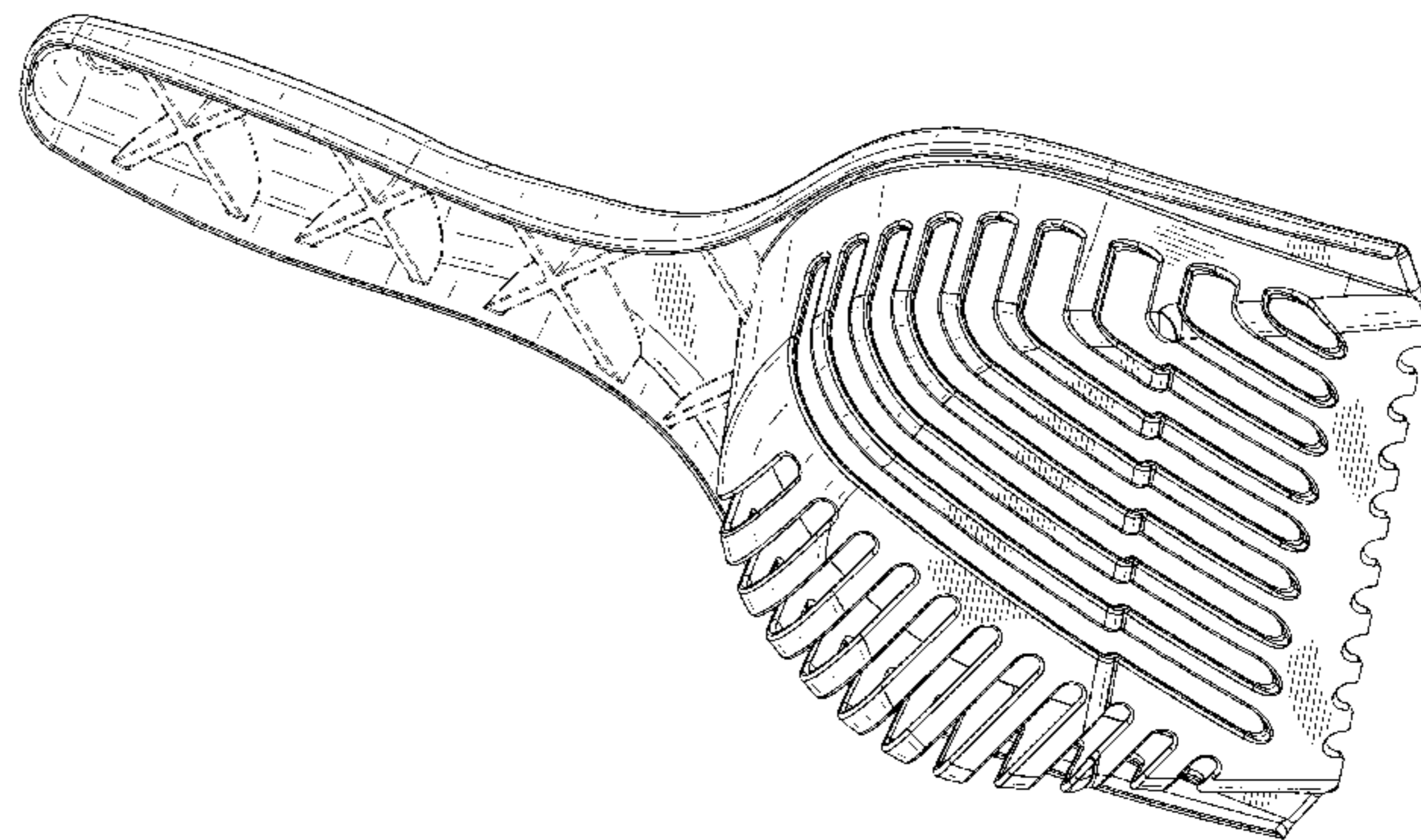
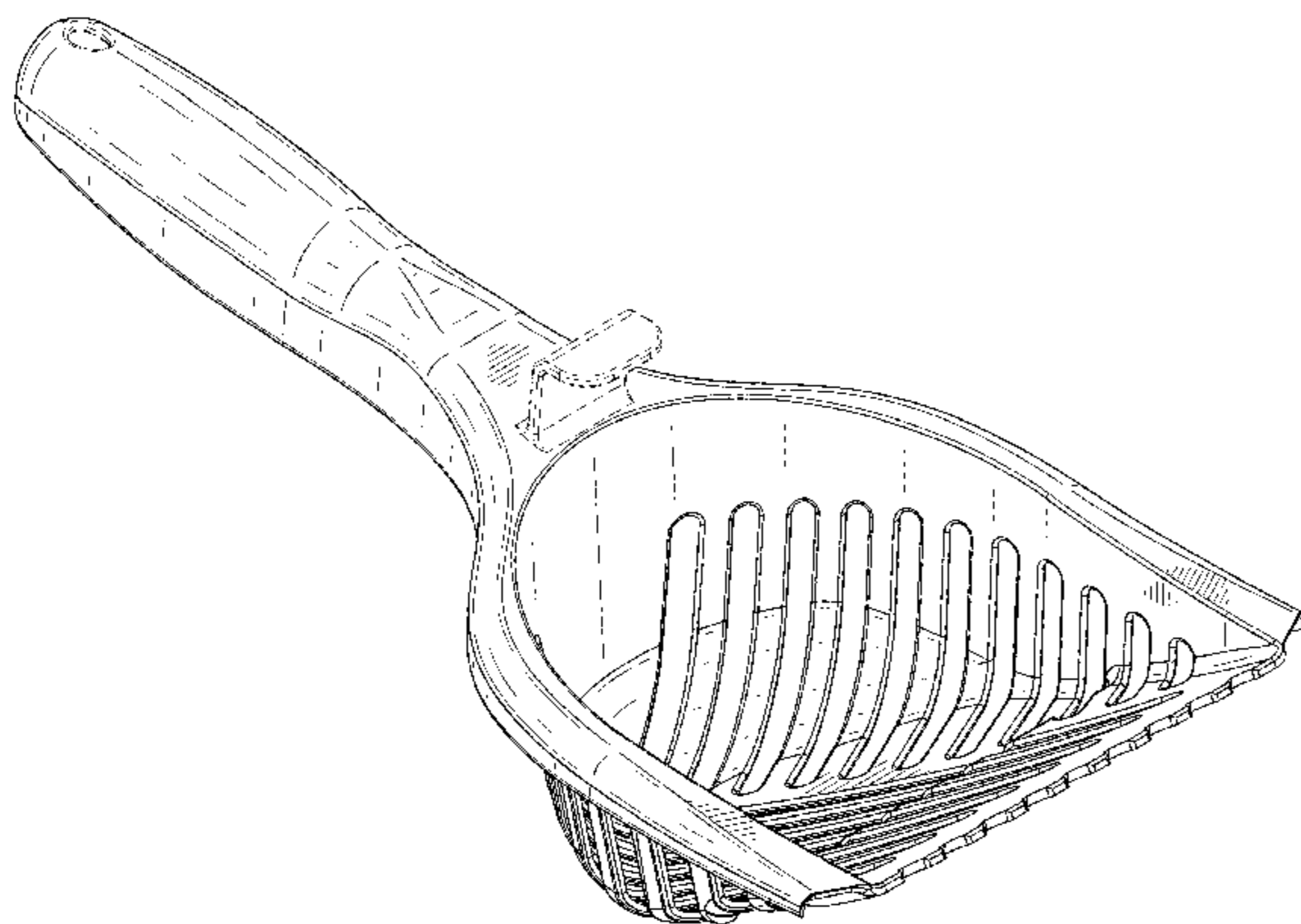
DESCRIPTION

FIG. 1 is a top perspective view of a litter scoop in accordance with my new design;
 FIG. 2 is a bottom perspective view thereof;
 FIG. 3 is another bottom perspective view thereof;
 FIG. 4 is a top view thereof;
 FIG. 5 is a bottom view thereof;
 FIG. 6 is a right side view thereof;
 FIG. 7 is a left side view thereof;
 FIG. 8 is a front view thereof; and,
 FIG. 9 is a back view thereof.

The contour lines depict illustration only, and form no part of the claimed design.

The broken lines shown represent unclaimed features of the litter scoop depicted for purposes of illustration and that form no part of the claimed design.

1 Claim, 9 Drawing Sheets



(56)

References Cited

U.S. PATENT DOCUMENTS

7,047,907 B1 * 5/2006 Johnston A01K 1/0114
119/867
D604,915 S * 11/2009 Teper D30/162
D623,807 S * 9/2010 Teren D30/162
D686,787 S * 7/2013 Dabrushman D30/162
D775,436 S * 12/2016 Rodriguez D30/162
D798,002 S * 9/2017 Miura D30/162
2004/0090073 A1 * 5/2004 Edwards A47L 13/52
294/1.3
2004/0124646 A1 * 7/2004 Peko A01K 23/005
294/1.4
2004/0227364 A1 * 11/2004 Pain A01K 1/0114
294/1.3
2005/0173935 A1 * 8/2005 Pain A01K 1/0114
294/1.3
2007/0267333 A1 * 11/2007 Delman A01K 1/0114
209/418
2007/0277741 A1 * 12/2007 Delman A01K 1/0114
119/166
2009/0001738 A1 * 1/2009 Amerena A01K 1/0114
294/1.4
2009/0058115 A1 * 3/2009 Freedman A01K 1/011
294/177
2013/0292957 A1 * 11/2013 Paculdo A01K 1/0114
294/179
2015/0167265 A1 * 6/2015 Becattini, Jr. E01H 1/1206
294/1.3
2016/0289905 A1 * 10/2016 Coutee E01H 1/1206
2016/0295829 A1 * 10/2016 Mertz A01K 1/0114
2016/0324115 A1 * 11/2016 Bridges A01K 1/0114

* cited by examiner

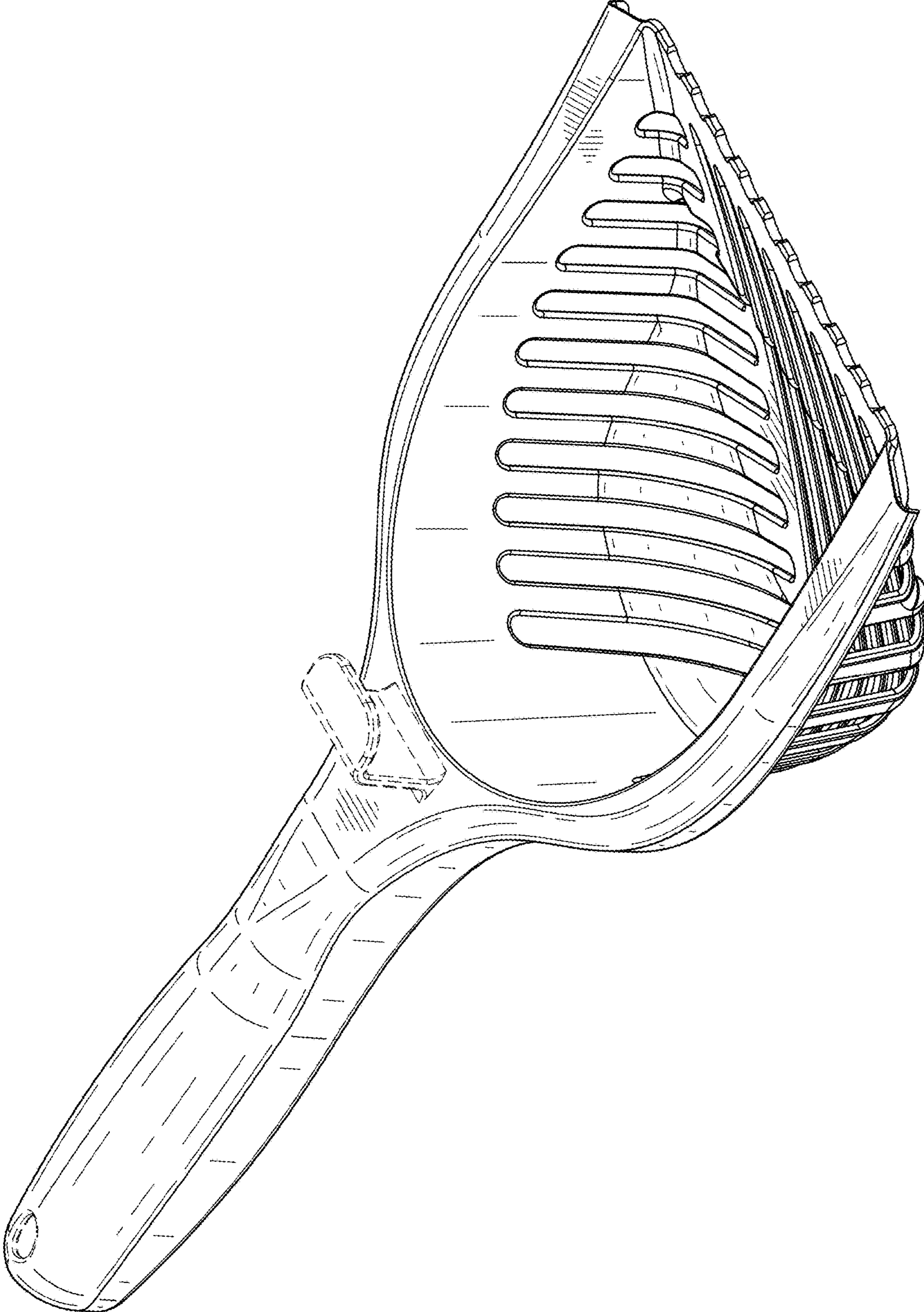


FIG. 1

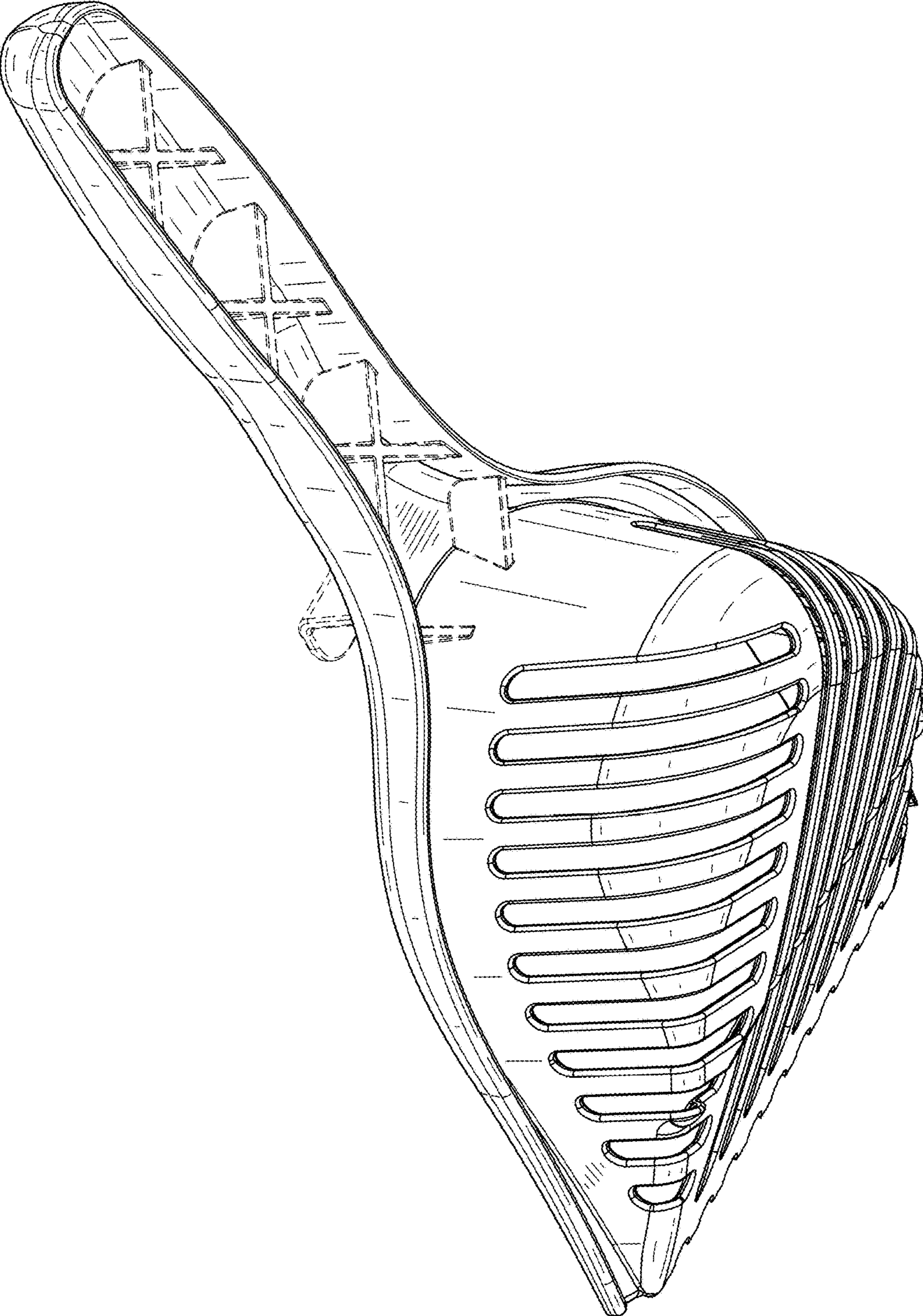


FIG. 2

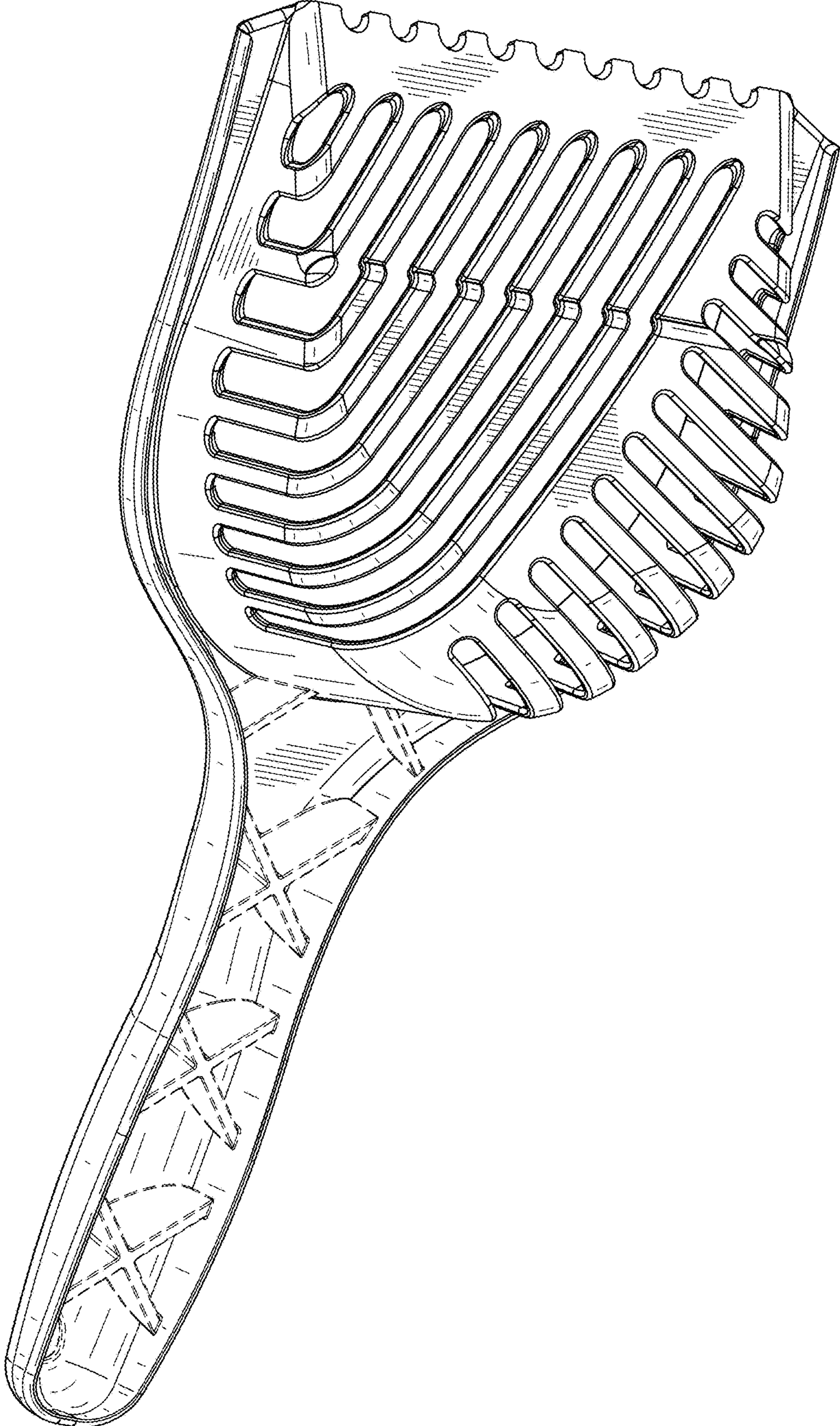


FIG. 3

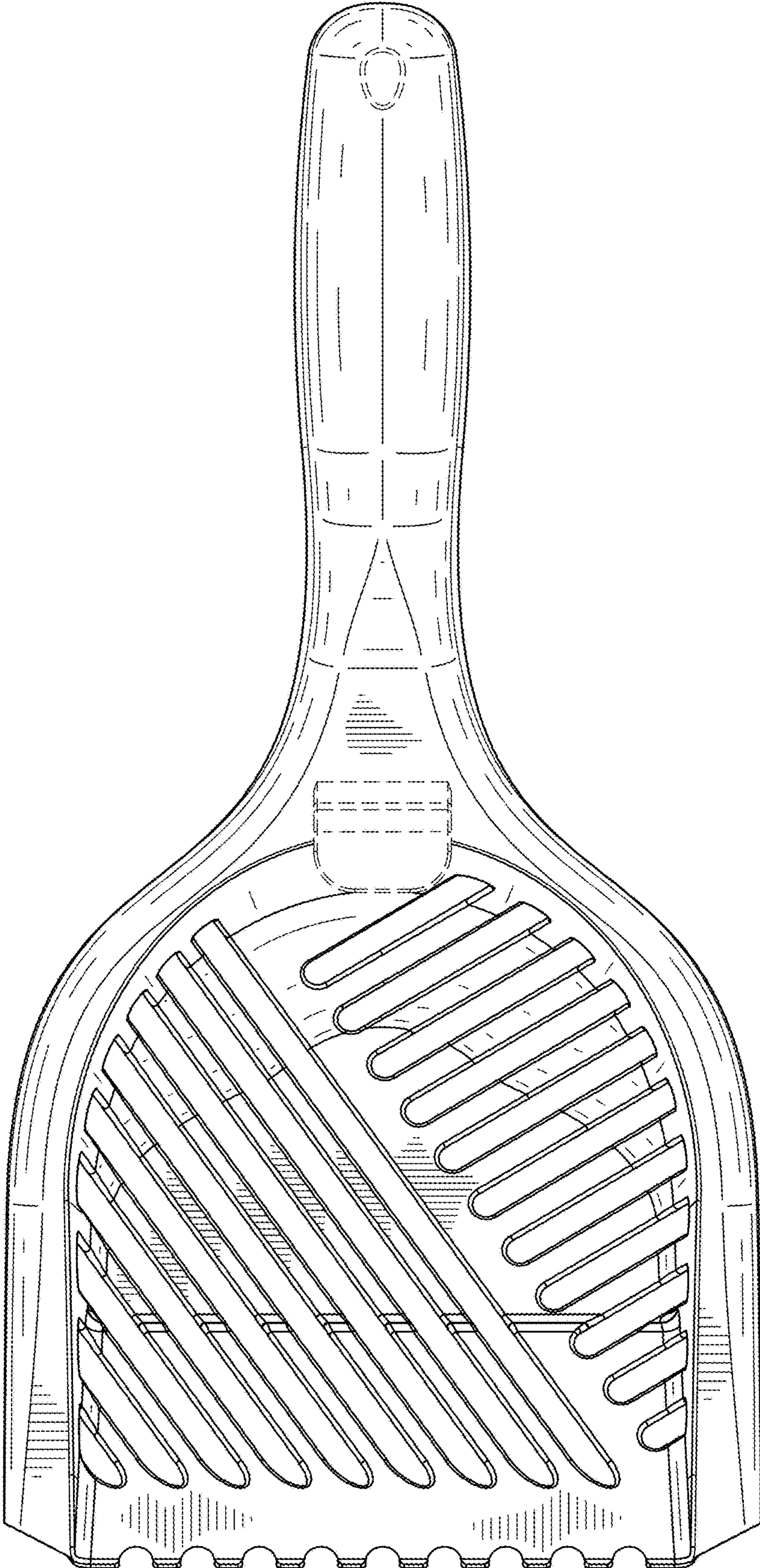


FIG. 4

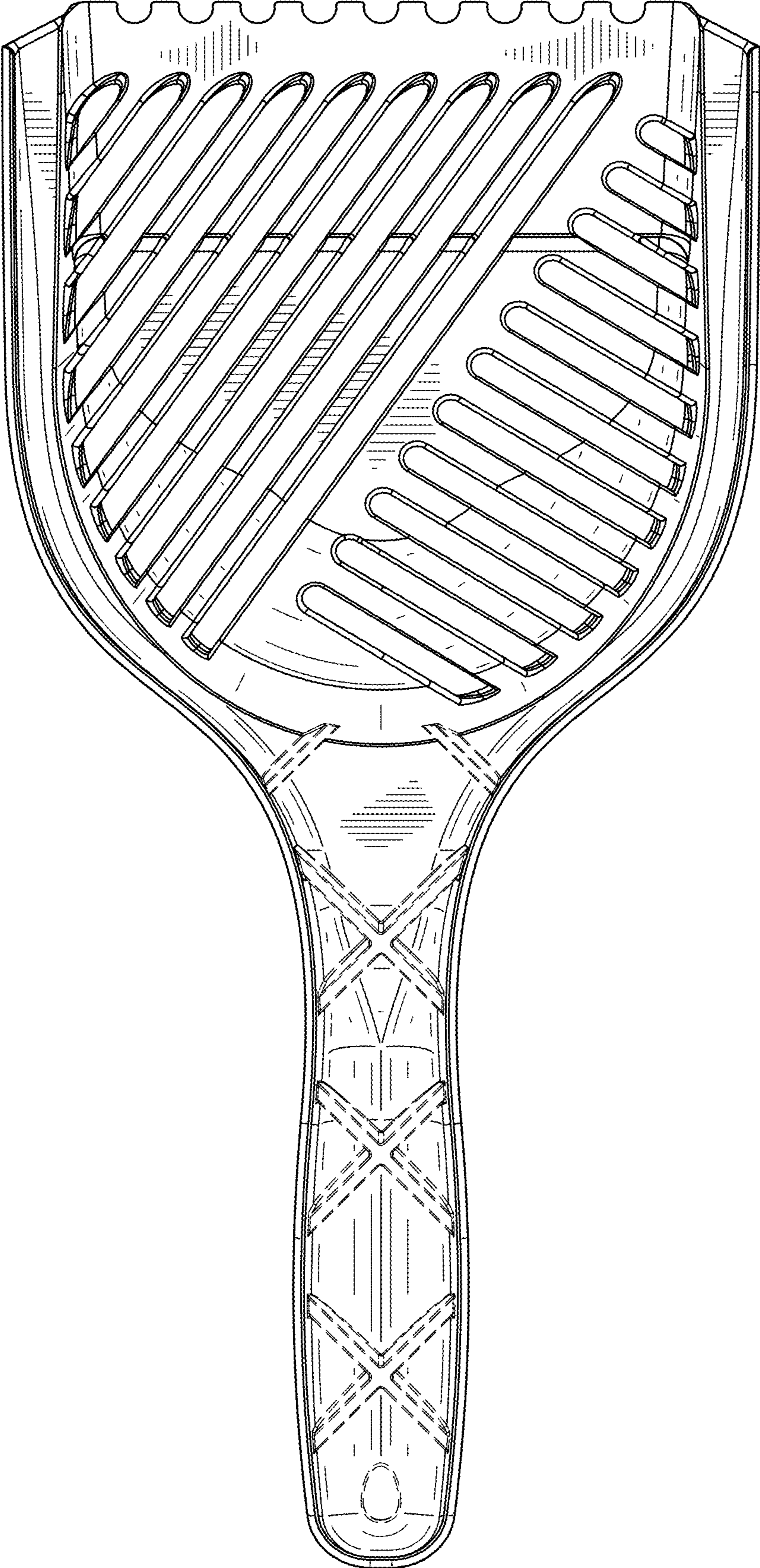


FIG. 5

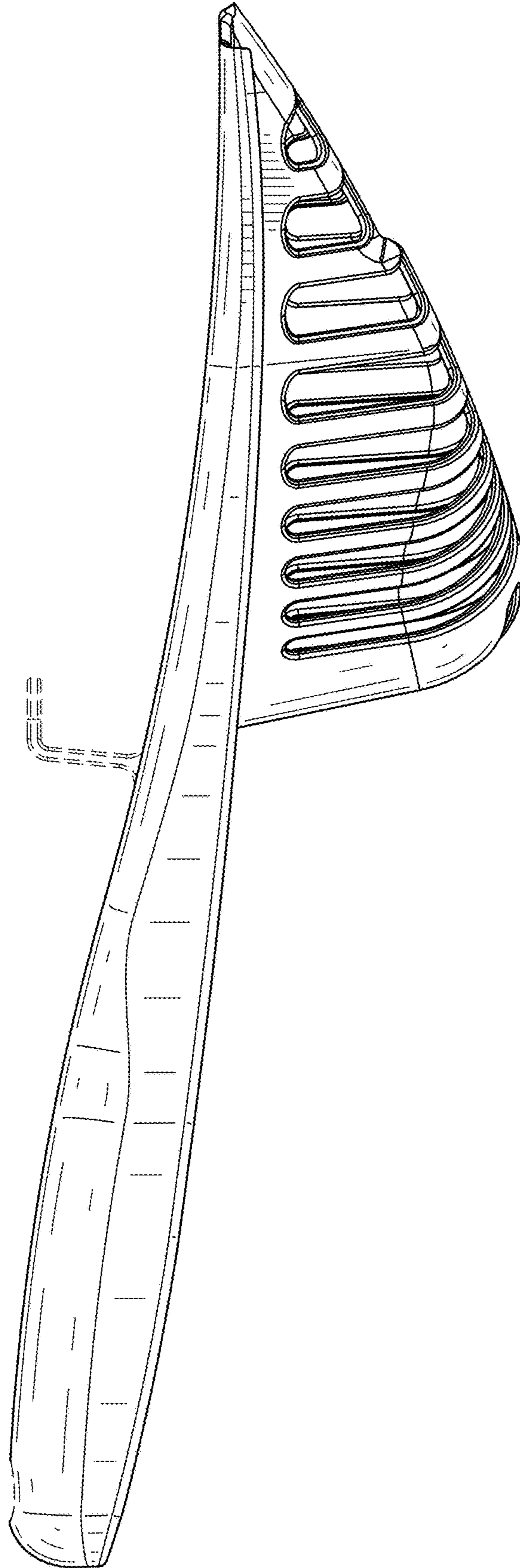


FIG. 6

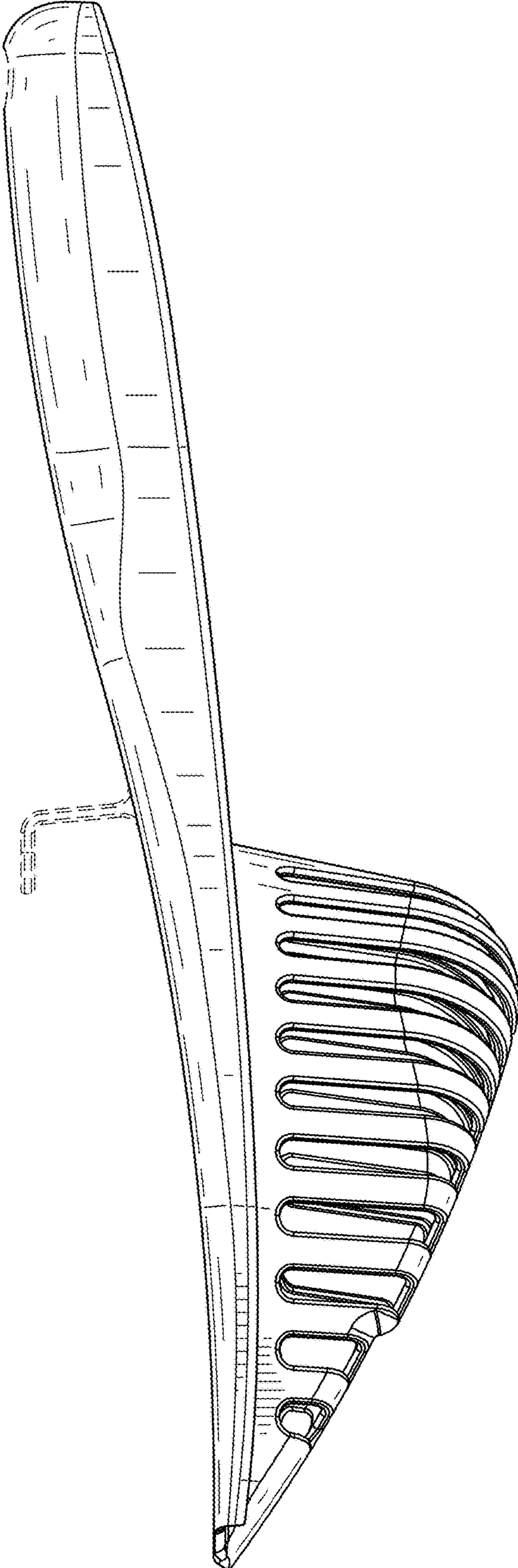


FIG. 7

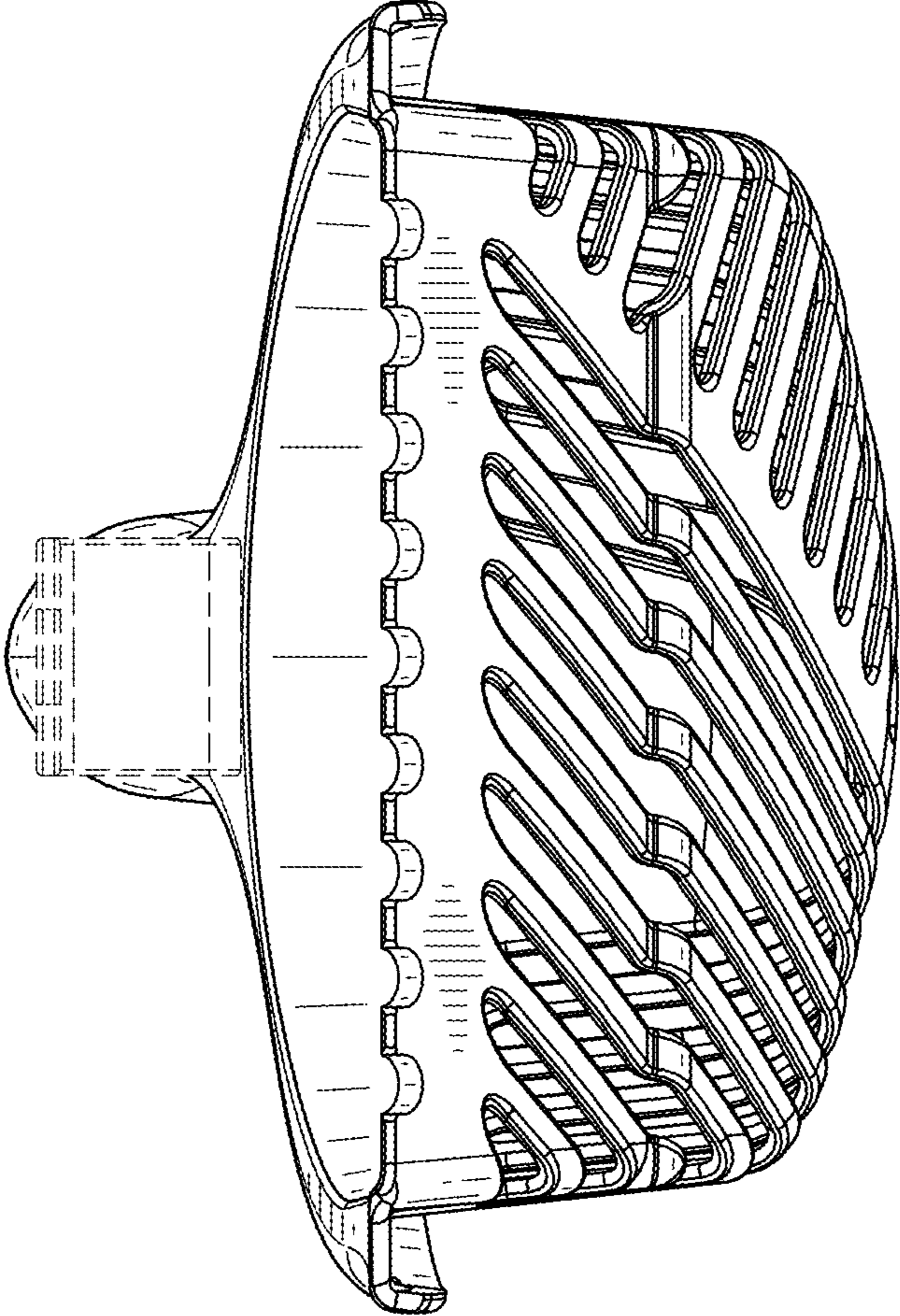


FIG. 8

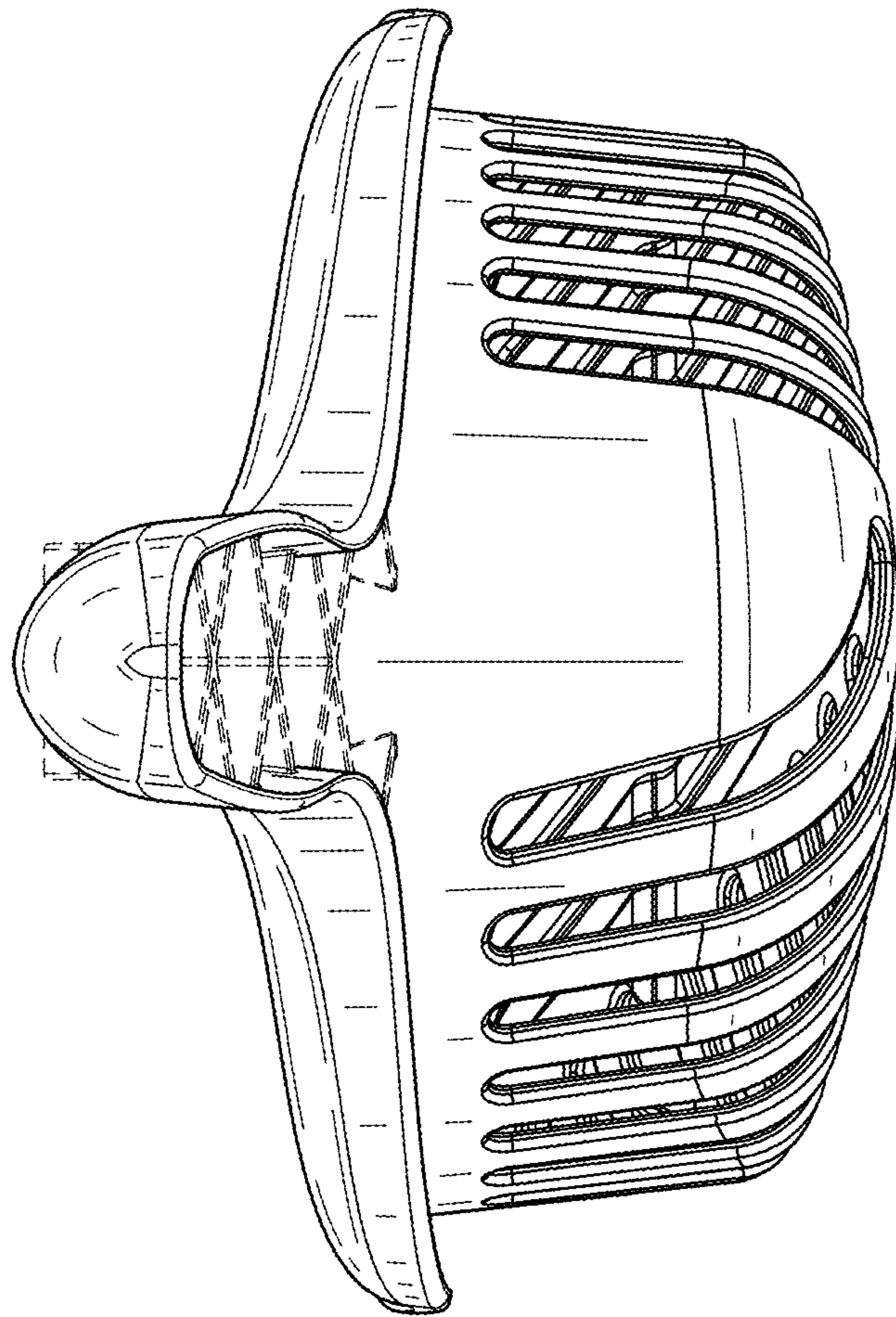


FIG. 9