



US00D811665S

(12) **United States Design Patent** (10) **Patent No.:** **US D811,665 S**
Doctor (45) **Date of Patent:** **** Feb. 27, 2018**

- (54) **HANDMAT**
- (71) Applicant: **Rashaan J. Doctor**, Bronx, NY (US)
- (72) Inventor: **Rashaan J. Doctor**, Bronx, NY (US)
- (**) Term: **15 Years**
- (21) Appl. No.: **29/579,058**
- (22) Filed: **Sep. 27, 2016**
- (51) **LOC (11) Cl.** **29-02**
- (52) **U.S. Cl.**
USPC **D29/113**
- (58) **Field of Classification Search**
USPC D29/113, 119
CPC A41D 13/087; A41D 19/01517
See application file for complete search history.

- (56) **References Cited**
- U.S. PATENT DOCUMENTS
- 950,633 A * 3/1910 Eastman A63B 31/10
2/20
 - 1,654,161 A * 12/1927 Diaz A45D 33/34
15/208
 - 1,715,571 A * 6/1929 Robertson A63B 31/08
441/58
 - 2,071,365 A * 2/1937 Stroop A47L 13/19
15/104.94
 - 2,205,957 A * 6/1940 Kinkis A41D 13/082
2/20
 - D363,146 S * 10/1995 Pando D29/113
 - 5,566,390 A * 10/1996 Clancy A41D 13/084
2/16
 - 5,603,679 A * 2/1997 Reis A41D 13/082
2/16
 - 5,781,928 A * 7/1998 Avila A41D 13/081
2/159
 - D411,765 S * 7/1999 Holihan D3/201
 - 6,178,554 B1 * 1/2001 Pake A41D 13/082
2/160
 - D470,657 S * 2/2003 Kawamura D11/216
 - D590,151 S * 4/2009 Karobkina D3/247

- 7,578,446 B2 * 8/2009 Yen G06K 19/077
235/486
 - D613,293 S * 4/2010 Sheba D14/435
 - D628,795 S * 12/2010 Sanders D3/247
 - D630,848 S * 1/2011 Long D3/247
 - D658,302 S * 4/2012 Nixon D24/190
 - D712,106 S * 8/2014 Corso D32/40
- (Continued)

FOREIGN PATENT DOCUMENTS

- WO WO-2016059267 A1 * 4/2016 A41D 19/015

OTHER PUBLICATIONS

AliMed Palm Guard Splint, posted at alimed.com, posting date not given, [online], [site visited Nov. 30, 2017]. Available from Internet, URL: <http://www.alimed.com/freedom-palm-guard.html>.*

(Continued)

Primary Examiner — George D. Kirschbaum
Assistant Examiner — Maria J Edwards
 (74) *Attorney, Agent, or Firm* — Dunlap Bennett & Ludwig PLLC; Brendan E. Squire

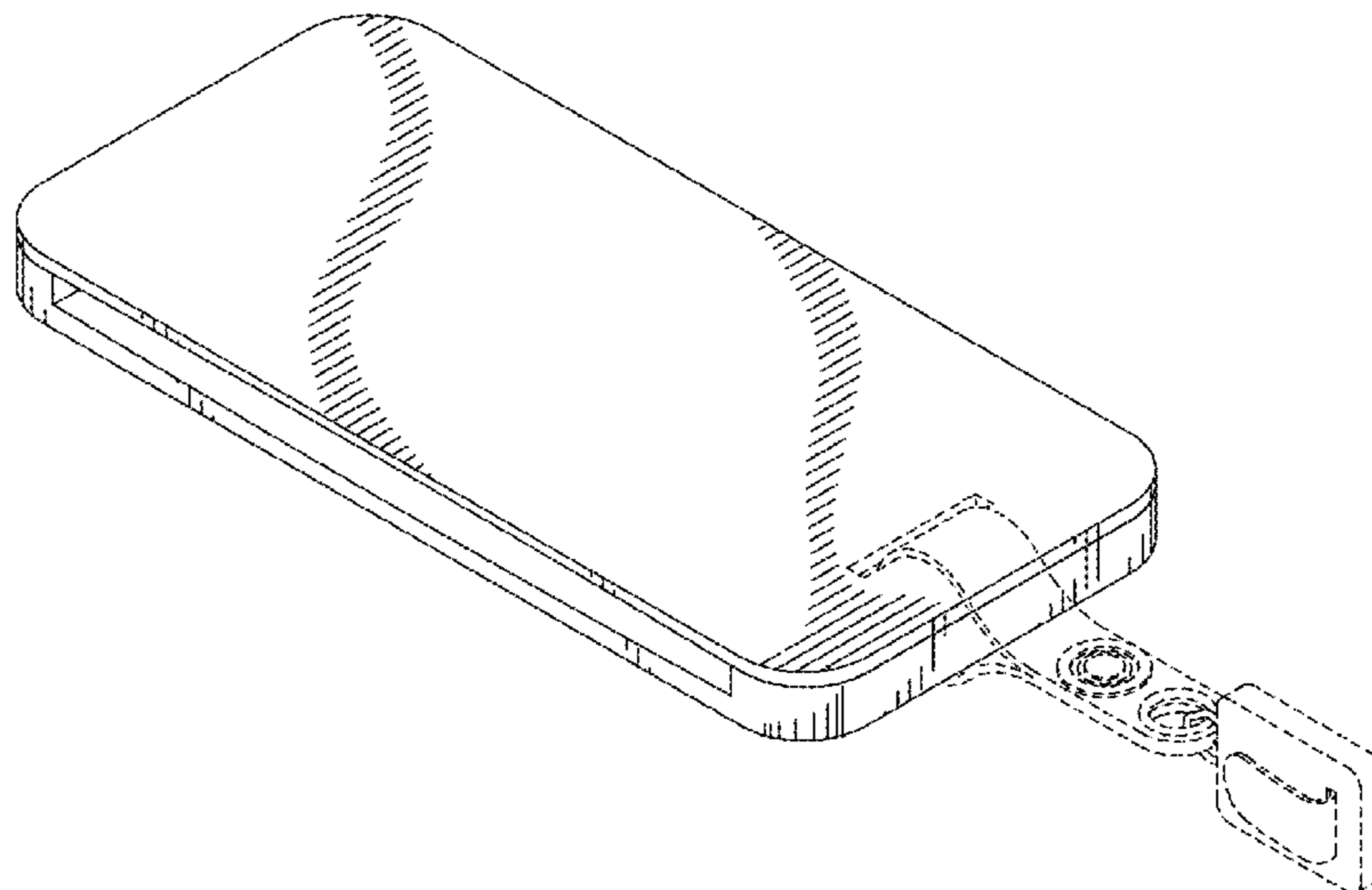
(57) **CLAIM**

The ornamental design for a handmat, as shown and described.

DESCRIPTION

FIG. 1 is a perspective view of the handmat showing my new design;
 FIG. 2 is a side view thereof;
 FIG. 3 is a top view thereof;
 FIG. 4 is a front view thereof;
 FIG. 5 is a perspective view thereof shown in use; and,
 FIG. 6 is a perspective view thereof shown in use.
 The broken lines in the drawings illustrate portions of the handmat or environmental subject matter and form no part of the claimed design.

1 Claim, 4 Drawing Sheets



(56)

References Cited

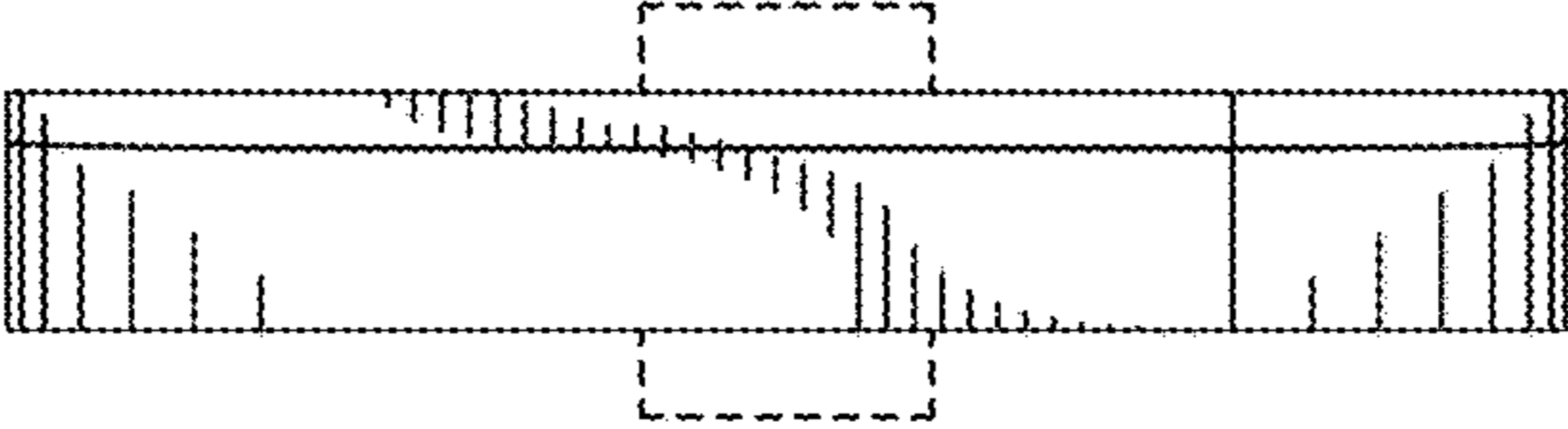
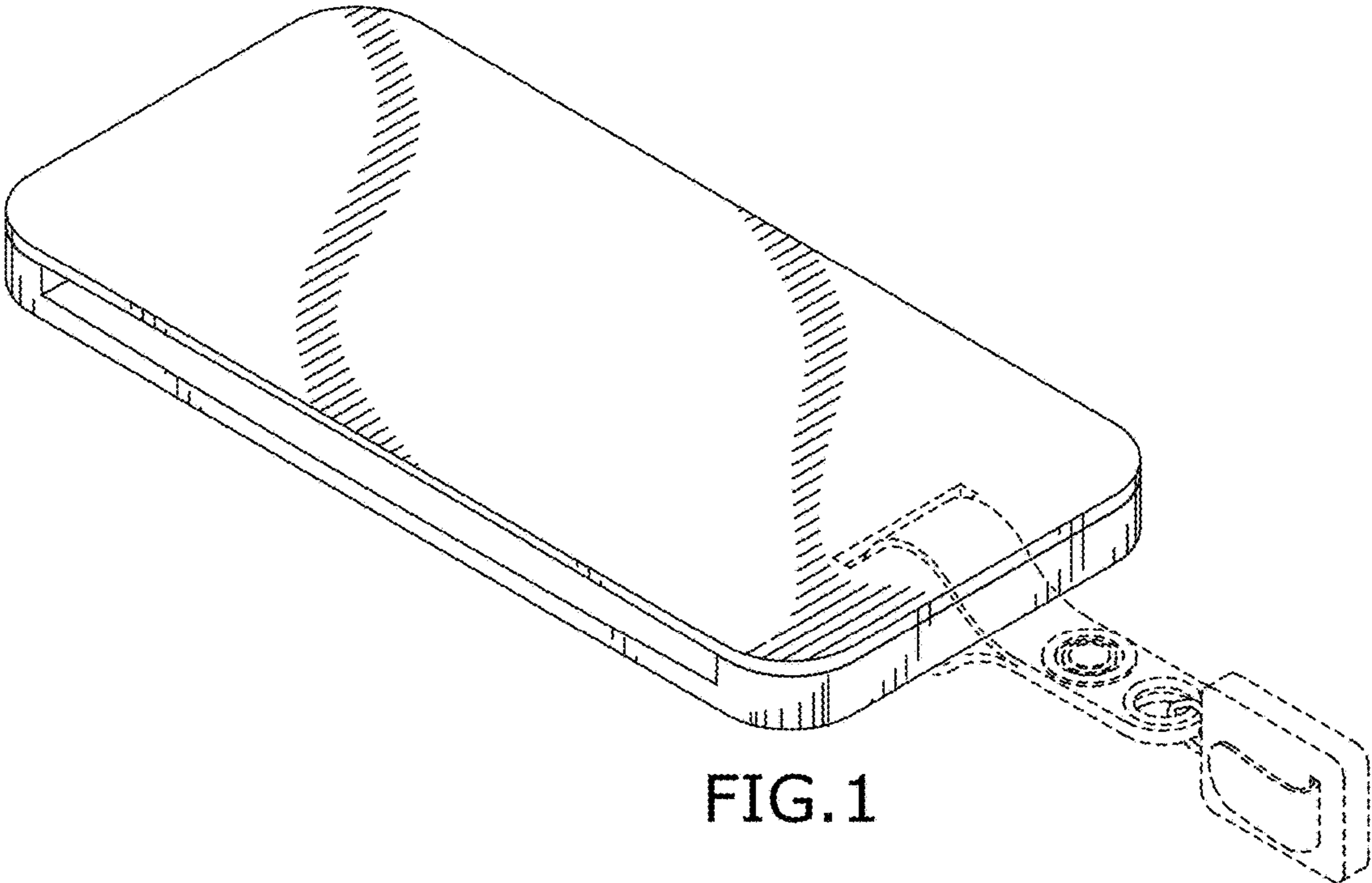
OTHER PUBLICATIONS

U.S. PATENT DOCUMENTS

D713,049 S * 9/2014 Shah D24/200
 D723,800 S * 3/2015 Ziegler D3/247
 D724,319 S * 3/2015 Ziegler D3/247
 D748,339 S * 1/2016 Yakubovich D29/113
 D760,496 S * 7/2016 Schioll D3/247
 D776,426 S * 1/2017 Smith D3/247
 2002/0023850 A1 * 2/2002 Dean A41D 19/0075
 2003/0101630 A1 * 6/2003 Garcia G09F 3/207
 2008/0049556 A1 * 2/2008 Smith A63F 1/18
 2008/0107473 A1 * 5/2008 Deleonardis A46B 9/005
 2013/0219584 A1 * 8/2013 Atwood G06F 1/1613
 2013/0220842 A1 * 8/2013 Lazott A45C 11/18
 2013/0306738 A1 * 11/2013 Peterson H05B 37/0227

Bel-Art Hot Hand Protector, posted at [globalindustrial.com](http://www.globalindustrial.com), posting date not given, [online], [site visited Nov. 30, 2017]. Available from Internet, URL: <http://www.globalindustrial.com/g/medical-lab/laboratory-equipment/laboratory-safety/hot-hand-protector-102935>.*
 Hand Protector Paddle Flat, posted at etsy.com, posting date not given, [online], [site visited Nov. 30, 2017]. Available from Internet, URL: <https://www.etsy.com/listing/482882386/hand-protector-paddle-flat>.*
 OBO Ogo Hand Protector Set, posted at justfieldhockey.com, posting date not given, [online], [site visited Nov. 30, 2017]. Available from Internet, URL: <https://www.justfieldhockey.com/collections/hand-protection/products/obo-ogo-hand-protector-set>.*
 Spicy Handmats, posted at handmatsport.com, posting date Jan. 30, 2017, [online], [site visited Nov. 30, 2017]. Available from Internet, URL: <https://handmatsport.com/products/spicy>.*
 Stainless Steel Hand Protector, posted at amazon.com, posting date Nov. 30, 2013, [online], [site visited Nov. 30, 2017]. Available from Internet, URL: <https://www.amazon.com/Useful-Stainless-Finger-Protector-Kitchen/dp/B00H06LYZC>.*

* cited by examiner



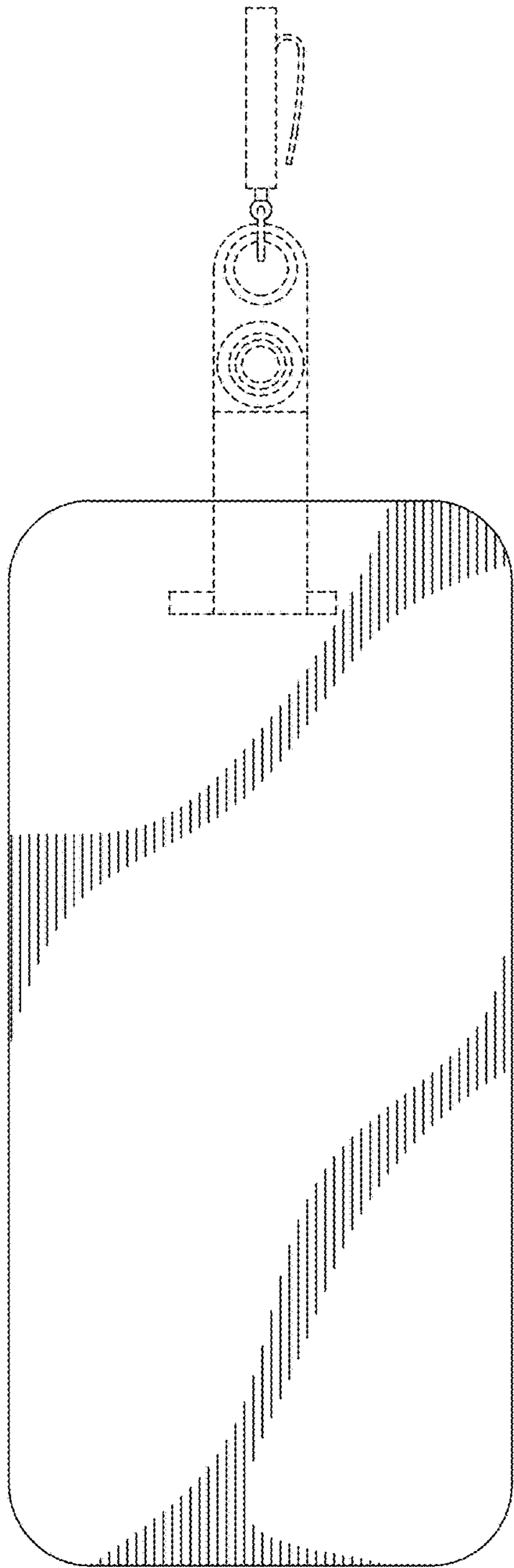


FIG. 3

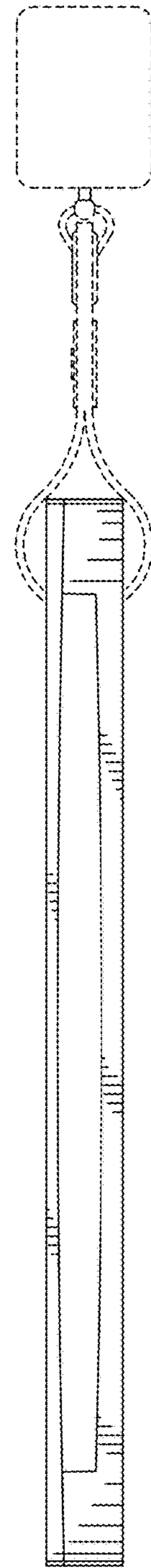


FIG. 4

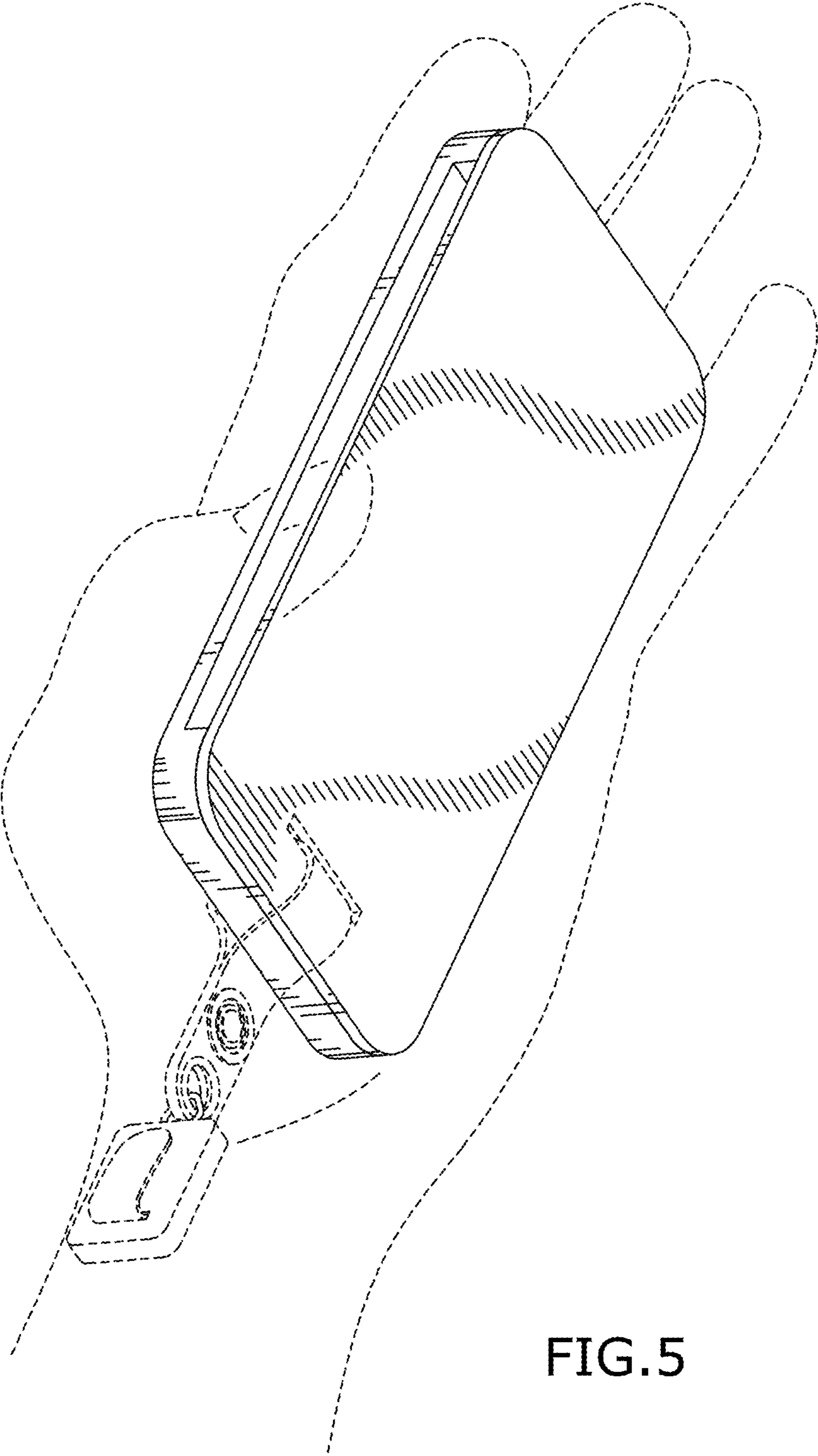


FIG. 5

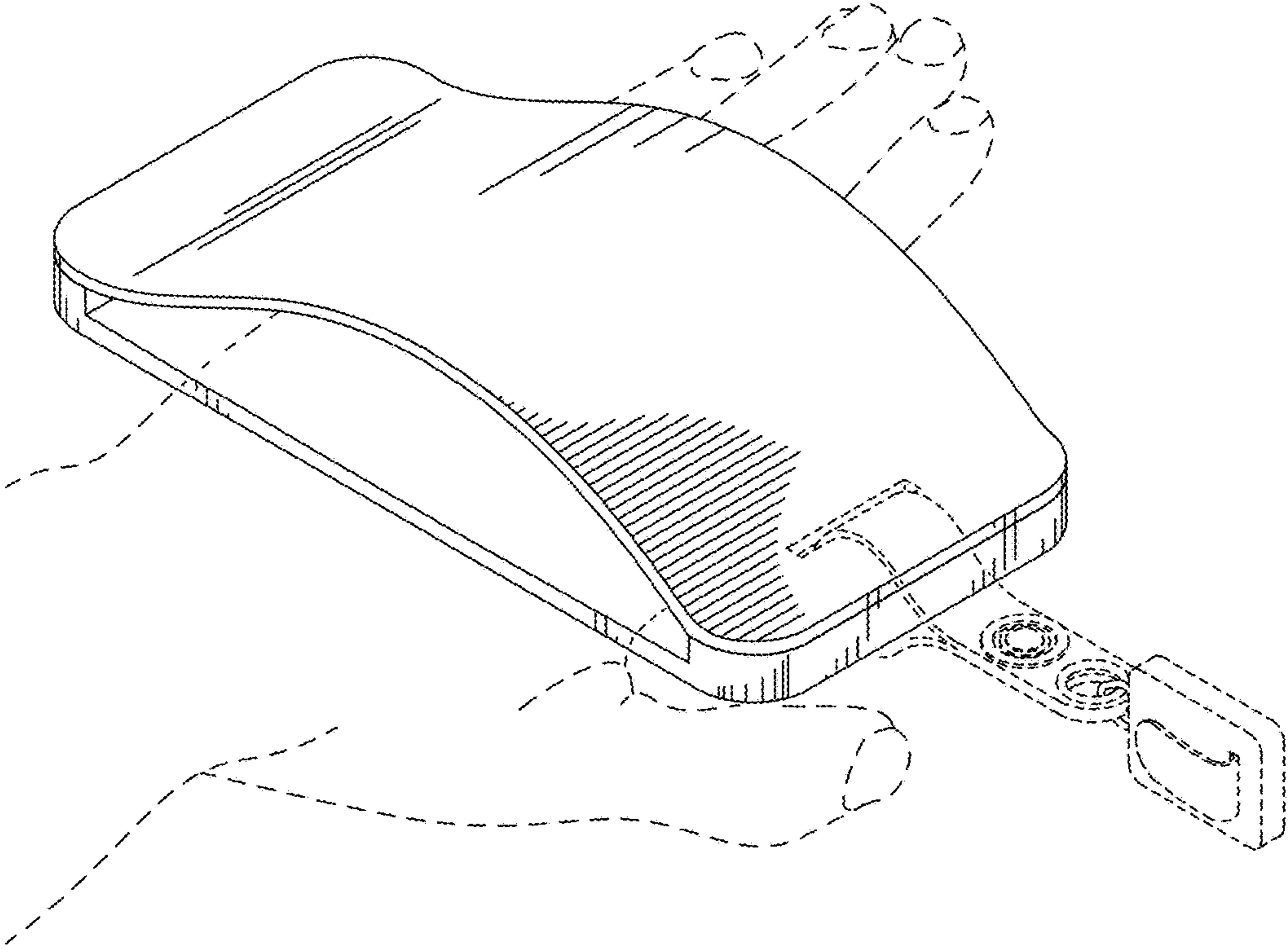


FIG.6