



US00D811658S

(12) **United States Design Patent** (10) **Patent No.:** **US D811,658 S**  
**Cataudella et al.** (45) **Date of Patent:** **\*\* Feb. 27, 2018**

(54) **STRIP FOR A SHAVING RAZOR CARTRIDGE**

(71) Applicant: **The Gillette Company**, Boston, MA (US)

(72) Inventors: **Matthew Corey Cataudella**, Boston, MA (US); **Alison Fiona Stephens**, Cookham (GB); **Paul Leslie Warrick**, Reading (GB)

(73) Assignee: **The Gillette Company LLC**, Boston, MA (US)

(\*\*) Term: **15 Years**

(21) Appl. No.: **29/570,277**

(22) Filed: **Jul. 7, 2016**

**Related U.S. Application Data**

(62) Division of application No. 29/549,237, filed on Dec. 21, 2015, now Pat. No. Des. 764,101, which is a division of application No. 29/489,908, filed on May 5, 2014, now Pat. No. Des. 749,265, which is a division of application No. 29/446,936, filed on Feb. 28, 2013, now Pat. No. Des. 707,885.

(51) **LOC (11) Cl.** ..... **28-03**

(52) **U.S. Cl.**  
USPC ..... **D28/47**

(58) **Field of Classification Search**  
USPC ..... D28/46-48  
CPC ..... B62B 21/00-21/12; B62B 21/14; B62B 21/165; B62B 21/18; B62B 21/24; B62B 21/30; B62B 21/32; B62B 21/40; B62B 21/4062; B62B 21/4068; B62B 21/4075; B62B 21/52-21/528; B26B 21/16; B26B 21/185; B26B 21/20-21/227; B26B 21/4012-21/4025; B26B 21/4081-21/4093; B26B 21/443

See application file for complete search history.

(56) **References Cited**

U.S. PATENT DOCUMENTS

D343,254 S	1/1994	Miller et al.
D403,811 S	1/1999	Brown et al.
5,903,979 A	5/1999	Oldroyd
6,167,625 B1	1/2001	King et al.
6,568,082 B2	5/2003	Pouettre et al.

(Continued)

*Primary Examiner* — Jennifer Rivard

(74) *Attorney, Agent, or Firm* — John M. Lipchitz; Kevin C. Johnson; Steven W. Miller

(57) **CLAIM**

The ornamental design for a strip for a shaving razor cartridge, as shown and described.

**DESCRIPTION**

FIG. 1 is a perspective view of a strip for a shaving razor cartridge showing our new design;

FIG. 2 is a top view thereof;

FIG. 3 is a bottom view thereof;

FIG. 4 is a left view thereof;

FIG. 5 is a right view thereof;

FIG. 6 is a front view thereof;

FIG. 7 is a rear view thereof;

FIG. 8 is another perspective view of the strip for a shaving razor cartridge with the unclaimed portions of the cartridge removed for clarity;

FIG. 9 is a top view thereof;

FIG. 10 is a bottom view thereof;

FIG. 11 is a left view thereof;

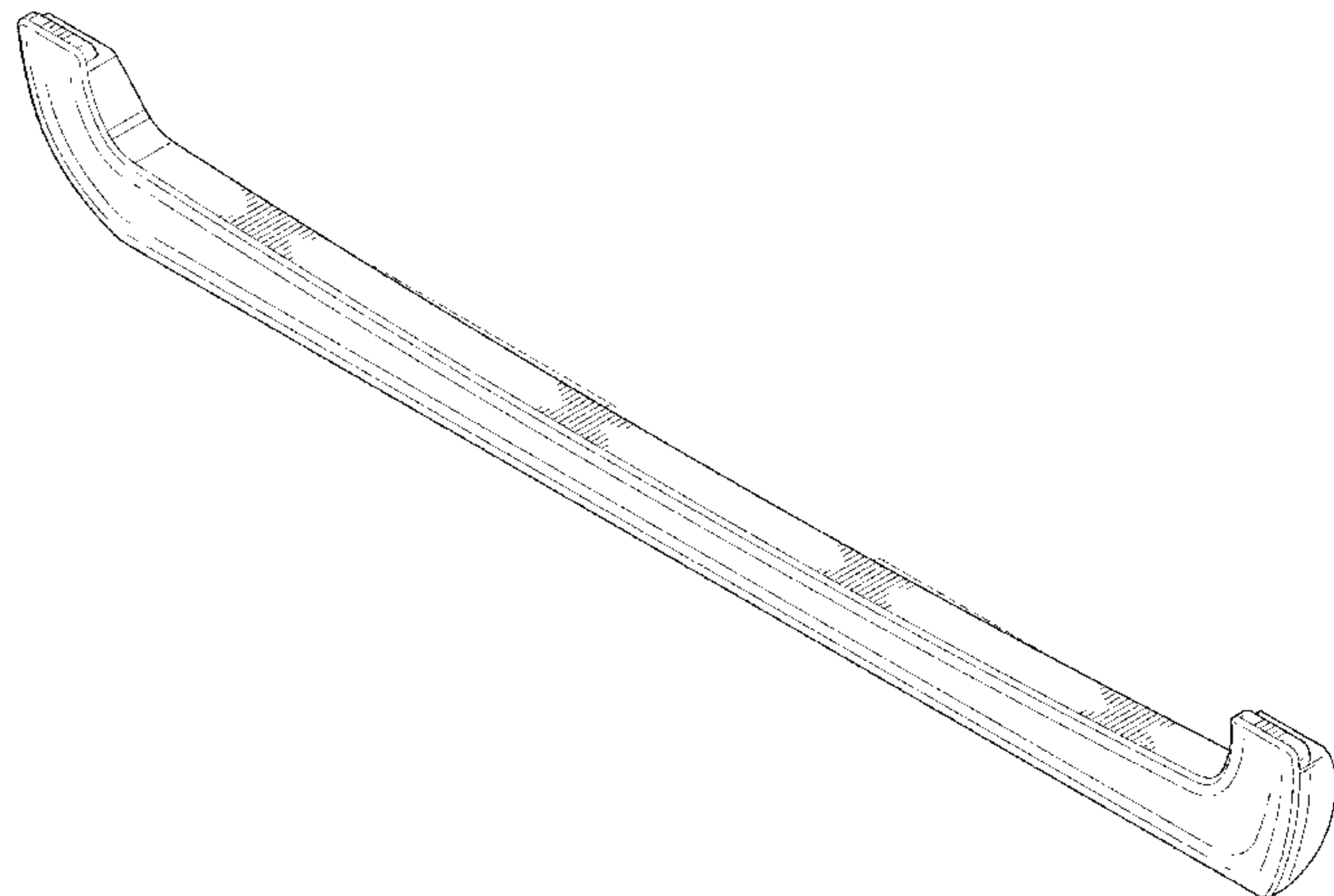
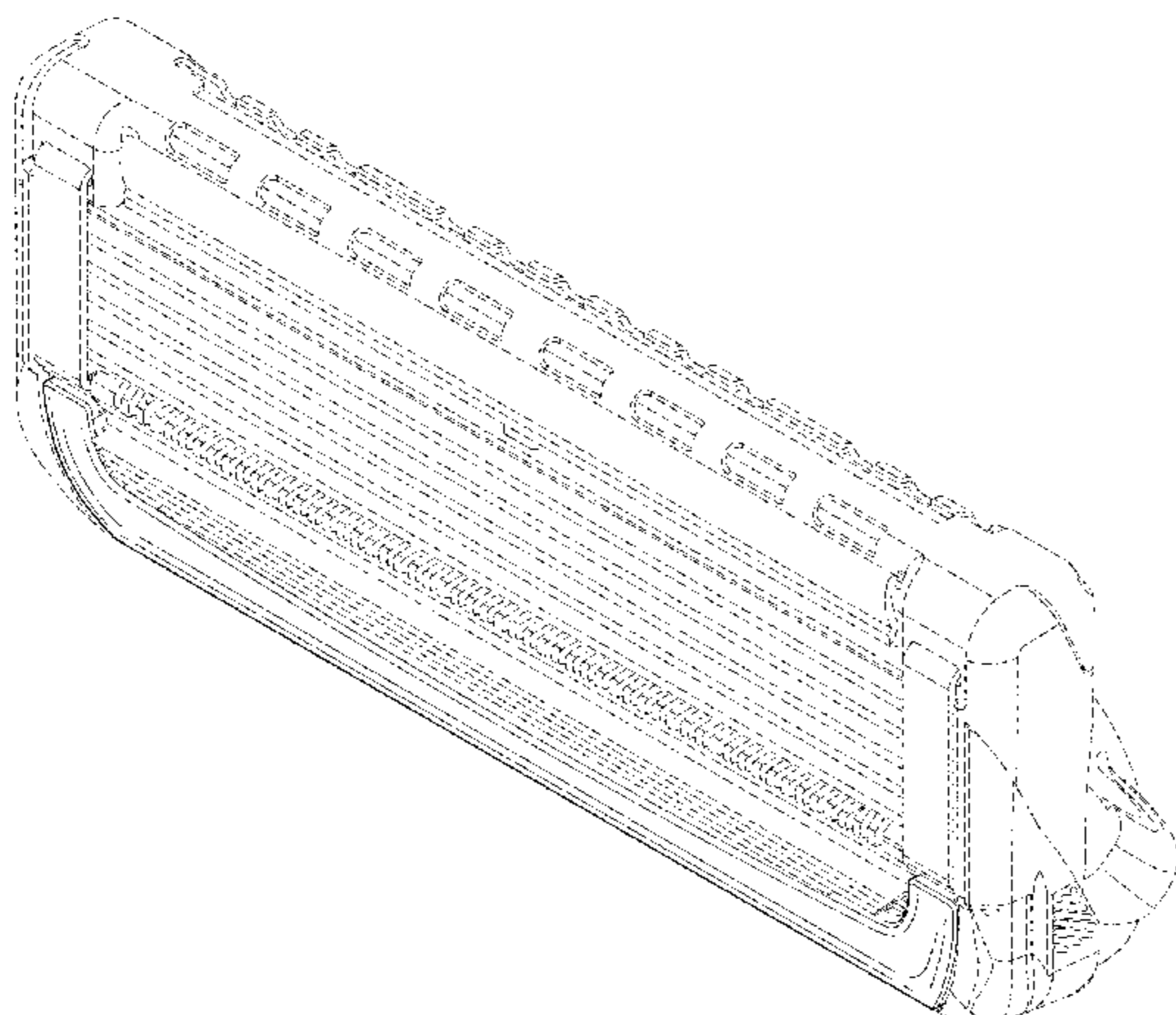
FIG. 12 is a right view thereof;

FIG. 13 is a front view thereof; and,

FIG. 14 is a rear view thereof.

In FIGS. 1-7, the broken lines illustrate the environment. In FIGS. 8-14, the broken lines illustrate portions of the strip for a shaving razor cartridge. None of the broken lines forms part of the claimed design.

**1 Claim, 9 Drawing Sheets**



(56)

References Cited

U.S. PATENT DOCUMENTS

6,792,682 B2 *	9/2004	Follo .....	B26B 21/443 30/50	8,931,176 B2 *	1/2015	Johnson .....	B26B 21/4018 30/34.2
D512,186 S	11/2005	Kling		9,193,078 B2 *	11/2015	Worrick, III .....	B26B 21/222
D524,482 S	7/2006	Fischer et al.		D749,265 S *	2/2016	Cataudella .....	D28/47
D524,986 S	7/2006	Prudden, Jr.		9,296,117 B2 *	3/2016	Fathallah .....	B26B 21/4012
D533,684 S	12/2006	Gray et al.		9,308,657 B2 *	4/2016	Bruno	
7,540,087 B2	6/2009	Rawle		D764,101 S *	8/2016	Cataudella .....	D28/47
D604,904 S	11/2009	Watson		9,475,201 B2 *	10/2016	Georgakis .....	B26B 21/222
D625,883 S	10/2010	Wonderley		2007/0062044 A1	3/2007	Walker et al.	
D627,100 S	11/2010	Kinard et al.		2007/0062047 A1	3/2007	Zhuk et al.	
D627,101 S	11/2010	Kinard et al.		2010/0077619 A1	4/2010	Follo et al.	
D627,518 S	11/2010	Kinard et al.		2011/0258856 A1	10/2011	Walker et al.	
D631,198 S	1/2011	Adams et al.		2012/0151772 A1 *	6/2012	Moon .....	B26B 21/225 30/41
D634,474 S	3/2011	Wilby		2015/0273708 A1 *	10/2015	Haba .....	B26B 21/225 30/41
D638,580 S	5/2011	Adams et al.		2015/0273709 A1 *	10/2015	Carneiro .....	B26B 21/4018 30/41
D643,976 S	8/2011	Wonderley et al.		2016/0001454 A1 *	1/2016	Coresh .....	B26B 21/22 30/34.2
D648,075 S	11/2011	Wonderley et al.		2016/0129603 A1 *	5/2016	Antoniou .....	B26B 21/44 30/50
D662,661 S	6/2012	Corbeil et al.		2016/0151924 A1 *	6/2016	Gers-Barlag .....	B26B 21/52 30/34.05
8,225,510 B2 *	7/2012	Peterson .....	B26B 21/4012 30/346.61	2016/0158948 A1 *	6/2016	Eagleton .....	B26B 21/443 30/34.2
D665,130 S	8/2012	Wain et al.		2016/0158949 A1 *	6/2016	Eagleton .....	B26B 21/443 30/34.2
D674,137 S	1/2013	Wilby et al.		2016/0199991 A1 *	7/2016	Nicholas .....	B26B 21/443 30/538
8,359,752 B2 *	1/2013	Bridges .....	B26B 21/222 30/50	2016/0199992 A1 *	7/2016	Nicholas .....	B26B 21/4012 30/538
8,448,338 B2 *	5/2013	Sherman .....	B26B 21/4018 30/34.05	2016/0332313 A1 *	11/2016	O'Connor .....	B26B 21/225
8,448,339 B2 *	5/2013	Walker, Jr. ....	B26B 21/4031 30/47	2016/0375597 A1 *	12/2016	Broemse .....	H05K 1/111 30/34.05
D707,885 S *	6/2014	Cataudella .....	D28/47				
8,745,877 B2 *	6/2014	Szczepanowski ..	B26B 21/4018 30/41				

\* cited by examiner



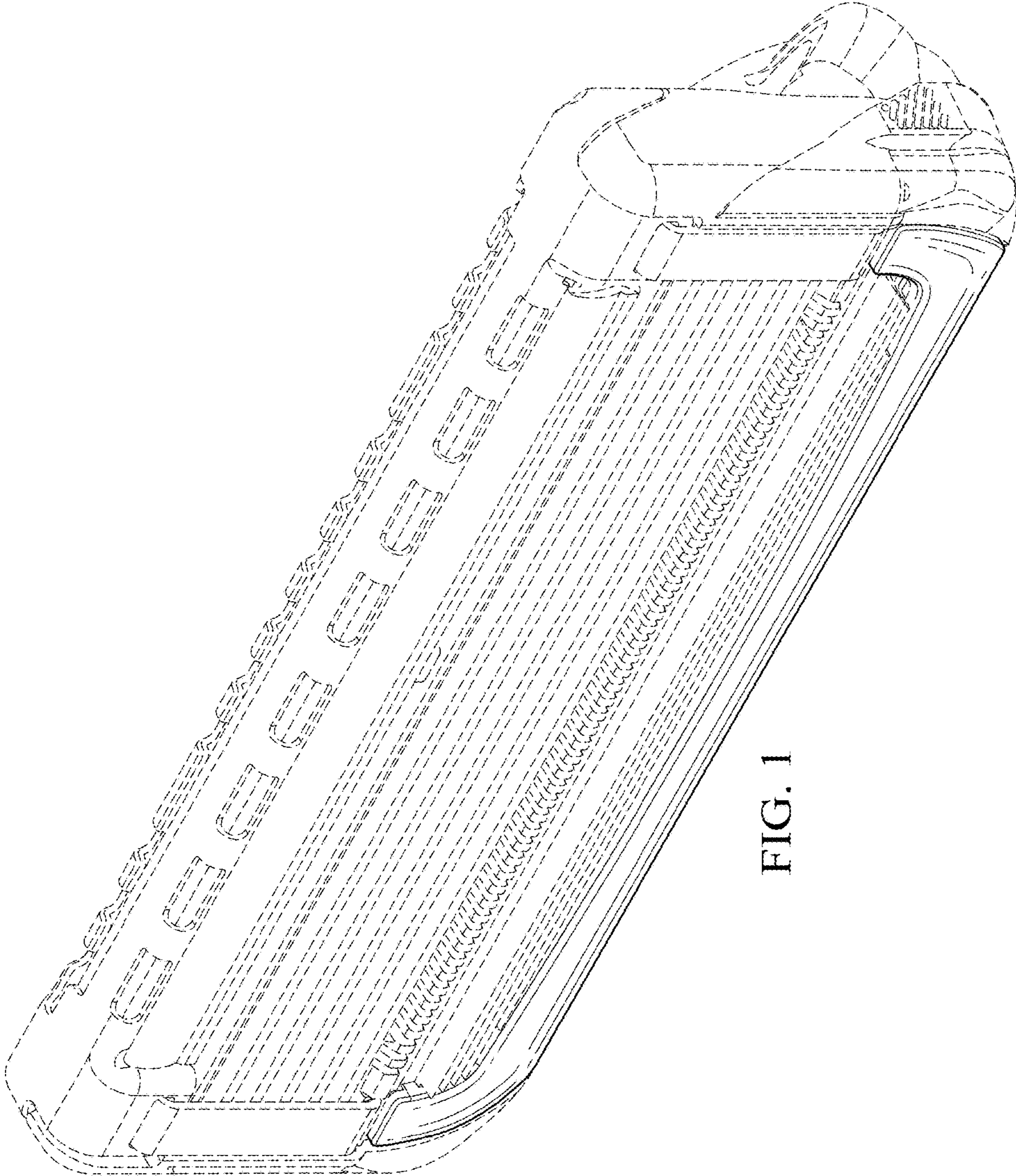


FIG. 1

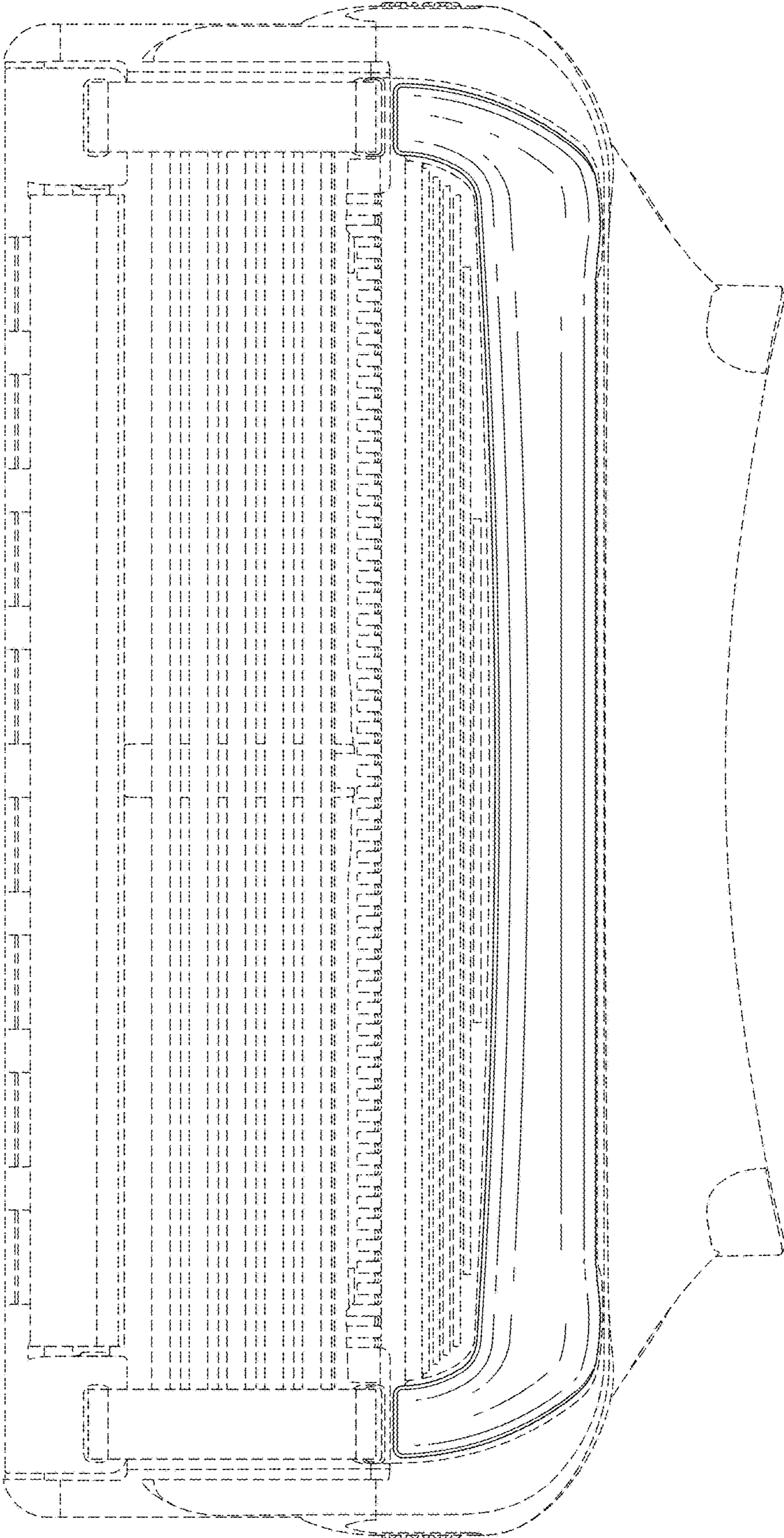


FIG. 2



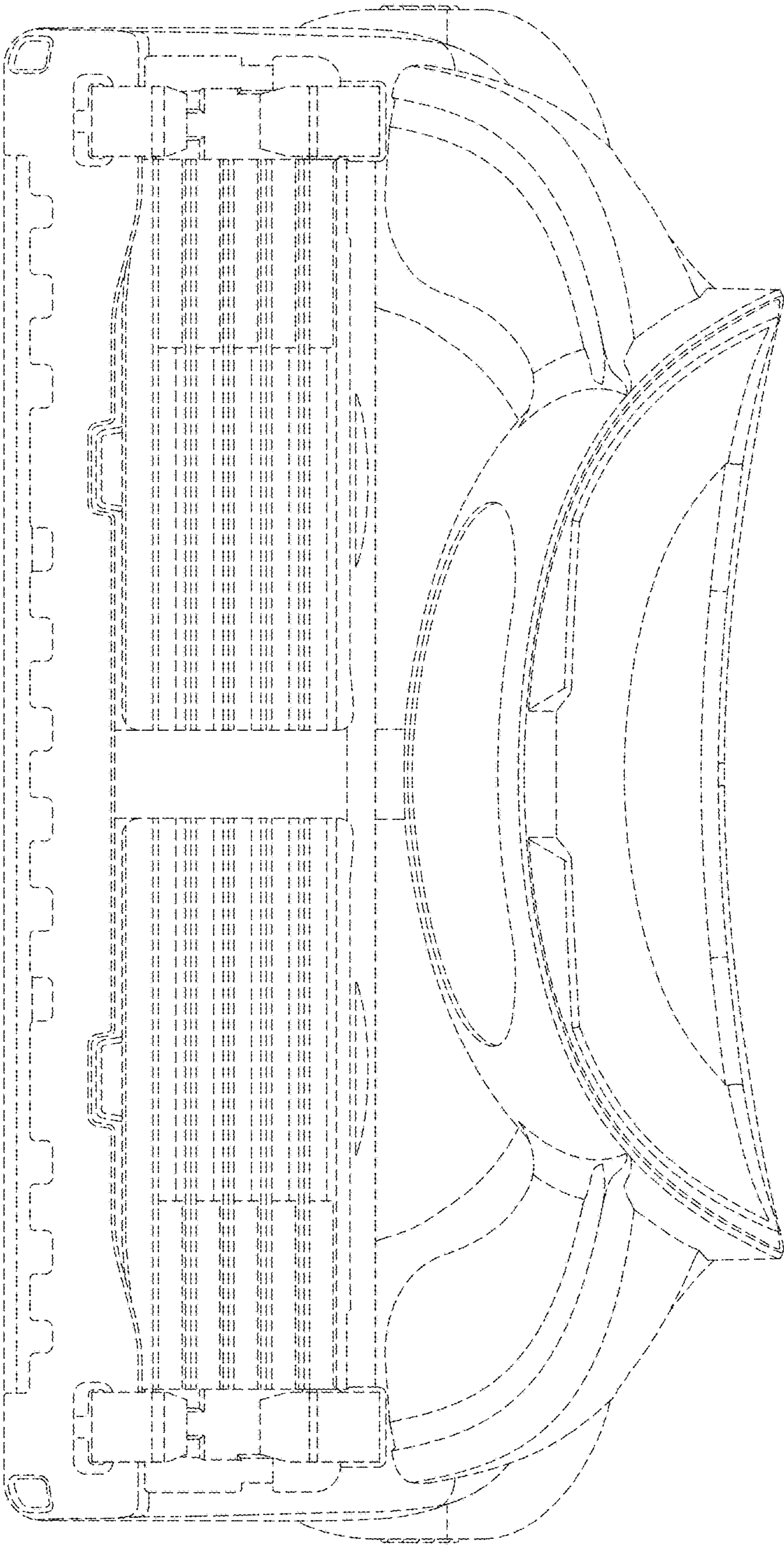


FIG. 3

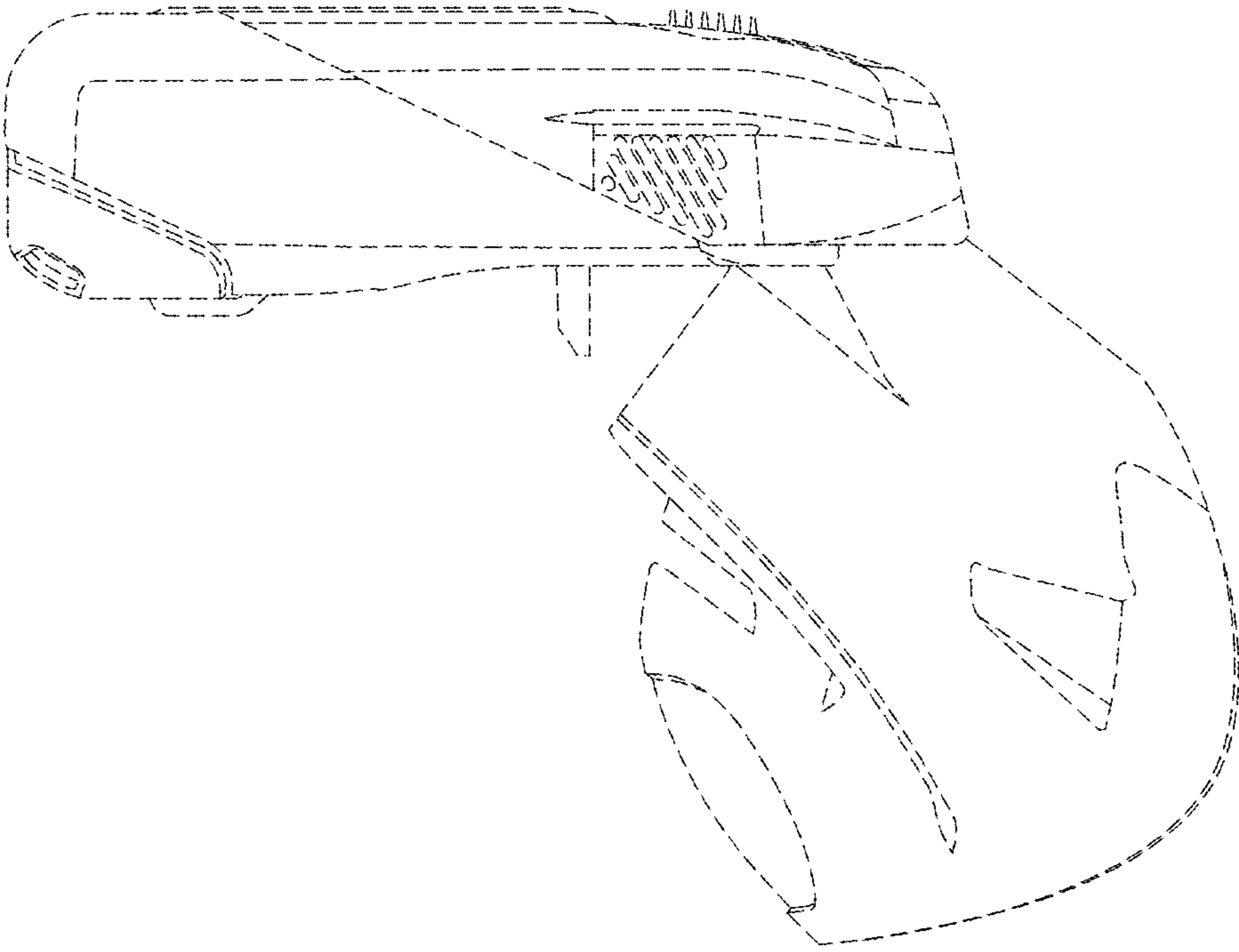


FIG. 5

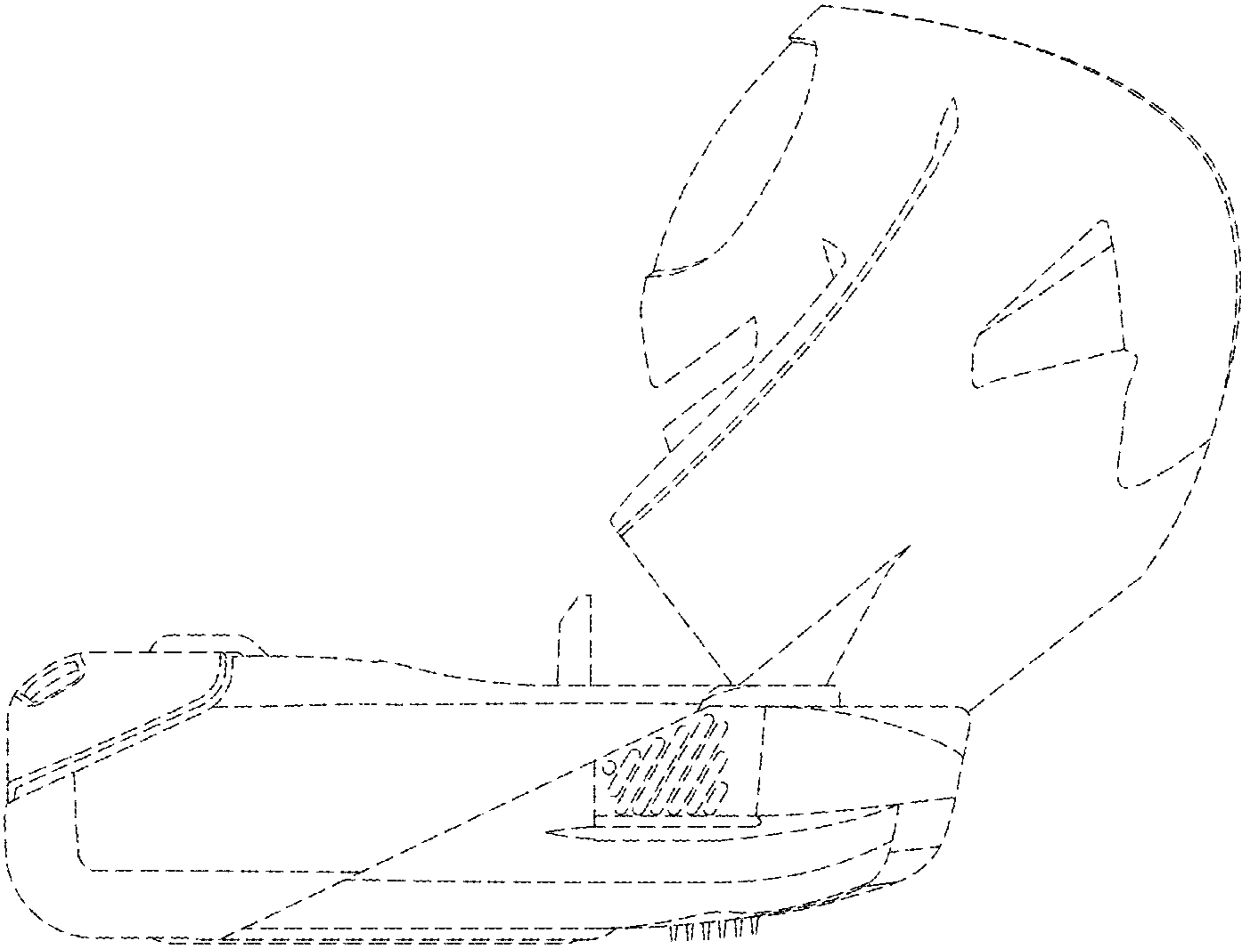


FIG. 4

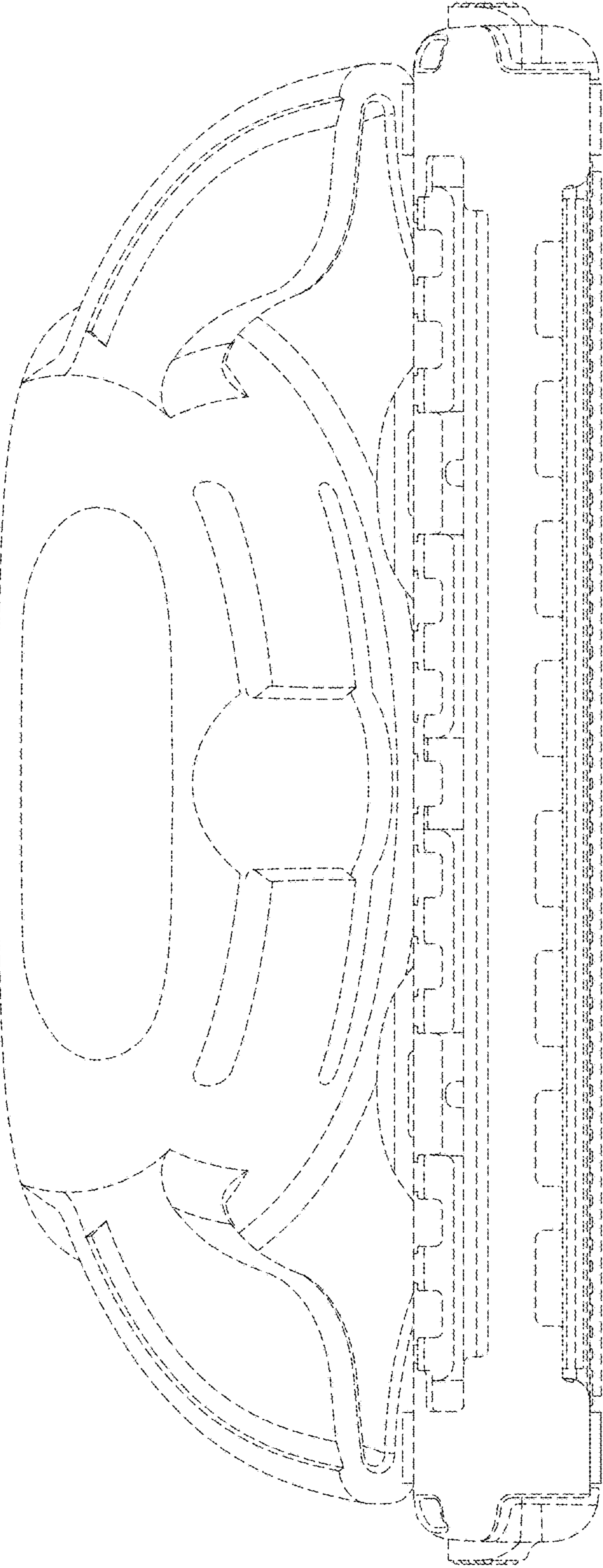


FIG. 6

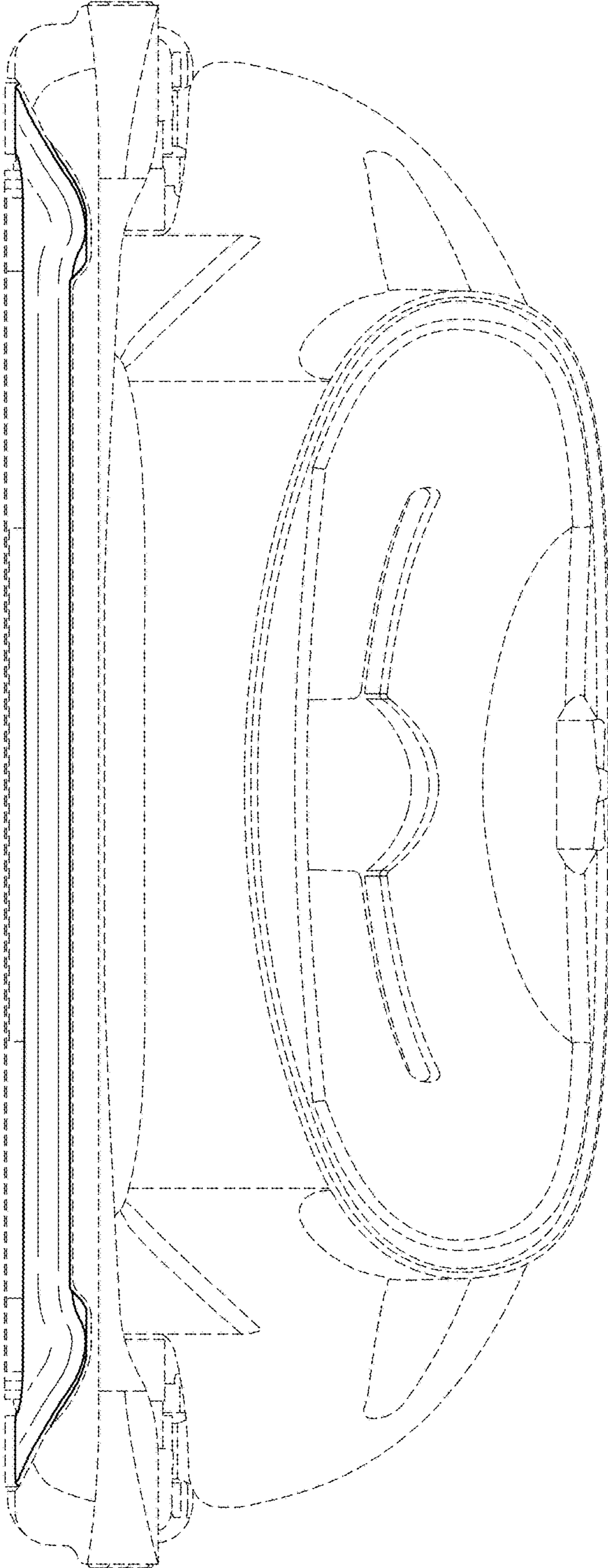


FIG. 7



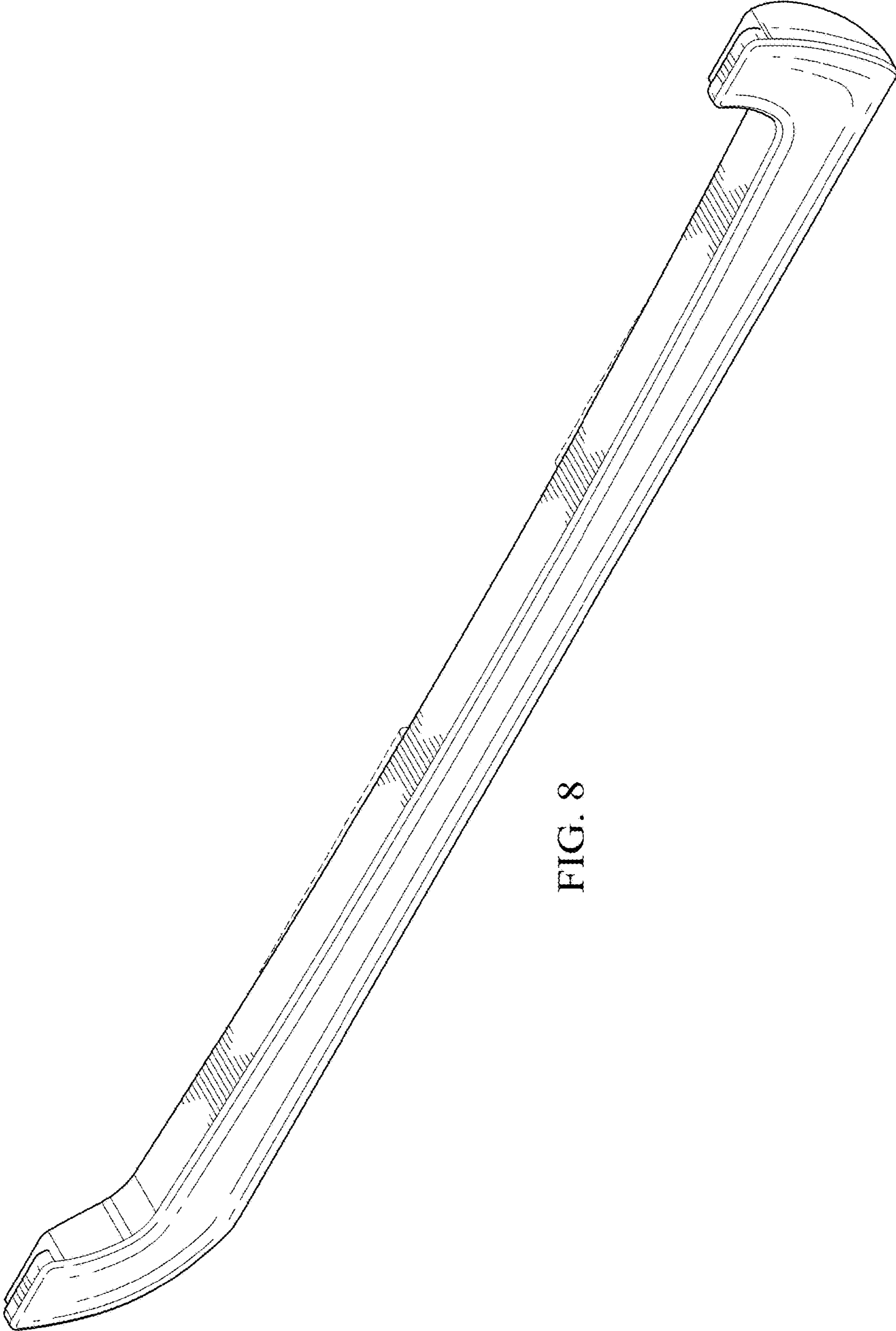


FIG. 8

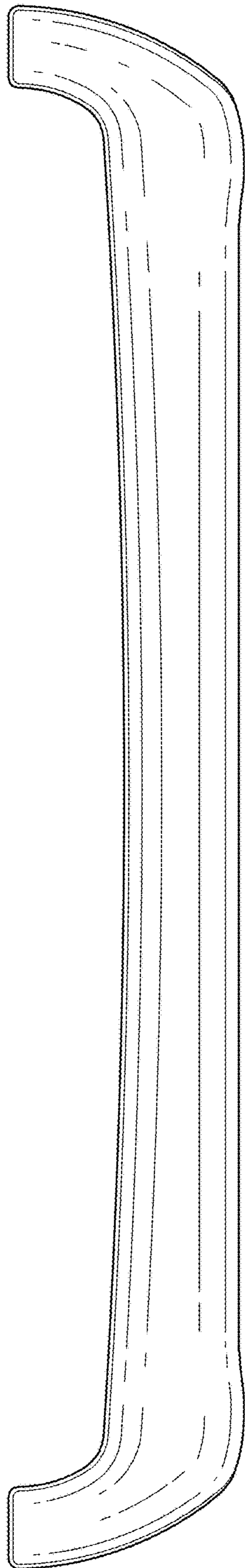


FIG. 9

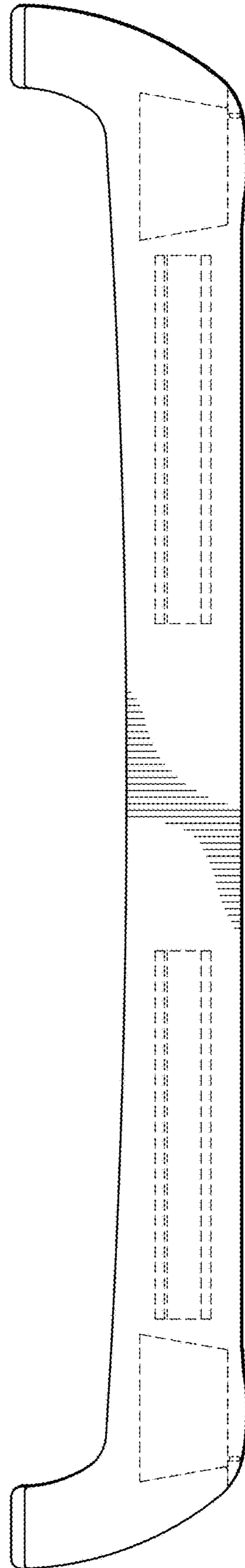


FIG. 10



FIG. 11

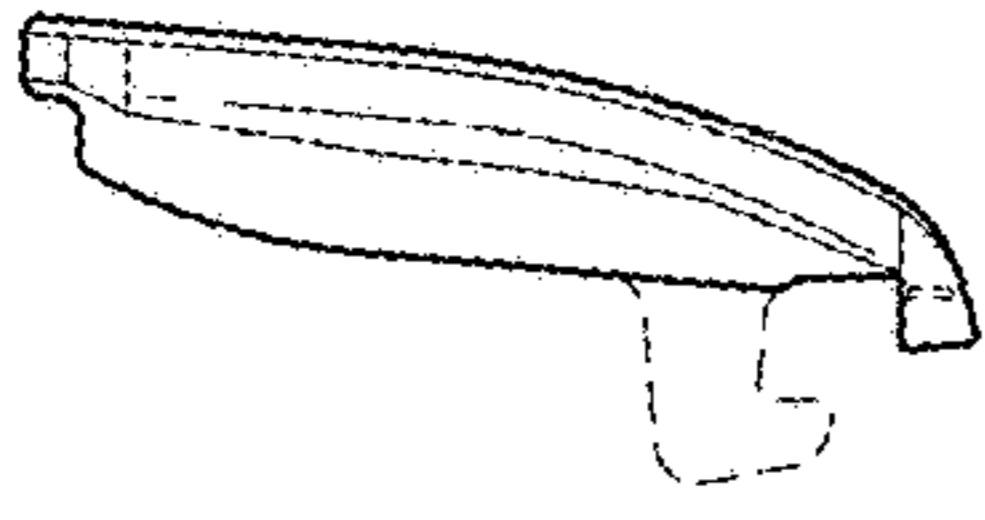


FIG. 12

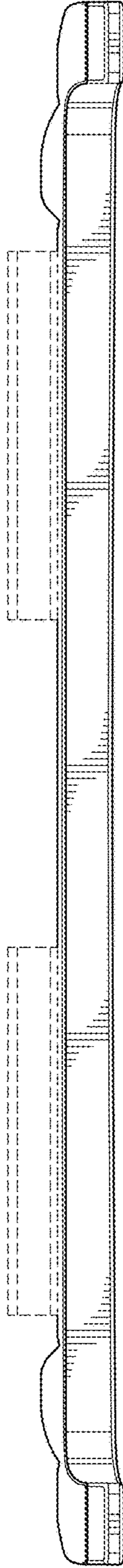


FIG. 13

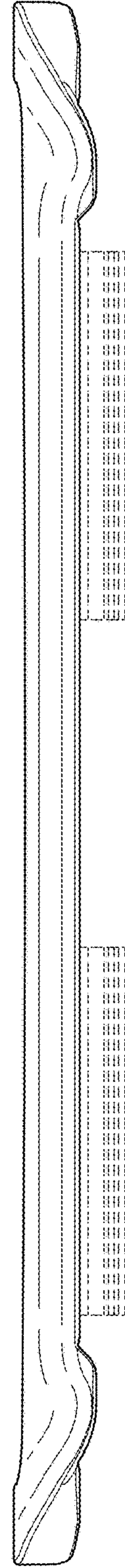


FIG. 14