



US00D811653S

(12) **United States Design Patent** (10) **Patent No.:** **US D811,653 S**  
**Ali** (45) **Date of Patent:** **\*\* Feb. 27, 2018**

(54) **COMBINED HOOKAH PIPE AND DOCKING STATION**

D760,429 S \* 6/2016 Emarlou ..... D27/163  
D761,999 S \* 7/2016 Liu ..... D27/101  
D768,331 S \* 10/2016 Chen ..... D27/101

(Continued)

(71) Applicant: **Wajid Ali**, Seattle, WA (US)

*Primary Examiner* — Robert M. Spear

(72) Inventor: **Wajid Ali**, Seattle, WA (US)

*Assistant Examiner* — Marissa J Cash

(\*\*) Term: **15 Years**

(74) *Attorney, Agent, or Firm* — Tracy M. Heims; Apex Juris, PLLC.

(21) Appl. No.: **29/590,327**

(57) **CLAIM**

The ornamental design for a combined hookah pipe and docking station, as shown and described.

(22) Filed: **Jan. 9, 2017**

**DESCRIPTION**

(51) **LOC (11) Cl.** ..... **27-06**

(52) **U.S. Cl.**  
USPC ..... **D27/181**

(58) **Field of Classification Search**  
USPC ..... D27/100, 101, 162–170, 172–195  
CPC ..... A24F 1/30; A24F 9/14  
See application file for complete search history.

(56) **References Cited**

**U.S. PATENT DOCUMENTS**

D347,490 S *	5/1994	Gee	.....	D27/194
D368,552 S *	4/1996	Adams	.....	D27/194
D422,113 S *	3/2000	Higgins	.....	D27/186
D577,150 S *	9/2008	Bryman	.....	D27/163
D649,708 S *	11/2011	Oneil	.....	D27/163
D728,855 S *	5/2015	Liu	.....	D27/163
D729,444 S *	5/2015	Leidel	.....	D27/163
D729,445 S *	5/2015	Leidel	.....	D27/163
D730,572 S *	5/2015	Leidel	.....	D27/163
D731,114 S *	6/2015	Leidel	.....	D27/163
D733,356 S *	6/2015	Leidel	.....	D27/163
D743,099 S *	11/2015	Oglesby	.....	D27/101
D745,213 S *	12/2015	Alima	.....	D27/143
D748,325 S *	1/2016	Leidel	.....	D27/163
D753,336 S *	4/2016	Chen	.....	D27/101
D753,338 S *	4/2016	Chen	.....	D27/162
D758,004 S *	5/2016	Freshwater	.....	D27/163
D758,655 S *	6/2016	Freshwater	.....	D27/163
D758,656 S *	6/2016	Freshwater	.....	D27/163

FIG. 1 is a perspective side view of the combined hookah pipe and docking station shown in condition of the hookah pipe mounted in a longitudinal orientation upon the docking station, of which the other side is a mirror image thereof.

FIG. 2 is a top view showing the combined hookah pipe and docking station of FIG. 1.

FIG. 3 is a top view of the combined hookah pipe and docking station shown in condition of the hookah pipe mounted in a perpendicular orientation upon the docking station.

FIG. 4 is a front view of the combined hookah pipe and docking station of FIG. 3.

FIG. 5 is a front perspective view of the combined hookah pipe and docking station.

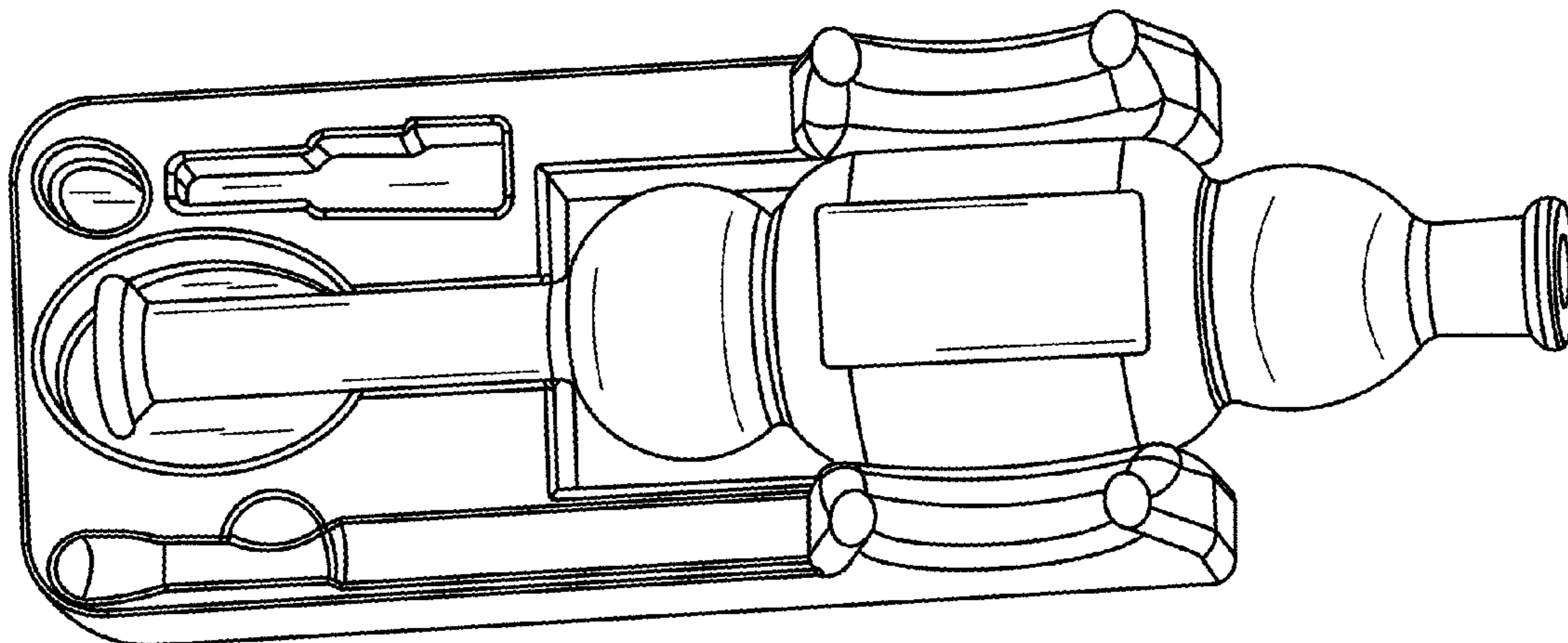
FIG. 6 is a front view of the combined hookah pipe and docking station of FIG. 1.

FIG. 7 is a perspective view of the docking station component removed from the combined hookah pipe and docking station for clarity of disclosure; and,

FIG. 8 is a perspective view of the hookah pipe component removed from the combined hookah pipe and docking station for clarity of disclosure.

The bottom of the combined hookah pipe and docking station is flat and devoid of surface ornamentation.

**1 Claim, 8 Drawing Sheets**



(56)

**References Cited**

## U.S. PATENT DOCUMENTS

D768,918	S	*	10/2016	Ward	.....	D27/167
D769,520	S	*	10/2016	Hua	.....	D27/167
D770,678	S	*	11/2016	Shin	.....	D27/163
D771,309	S	*	11/2016	Ward	.....	D27/167
D771,867	S	*	11/2016	Leidel	.....	D27/163
D772,477	S	*	11/2016	Shin	.....	D27/163
D773,114	S	*	11/2016	Leidel	.....	D27/163
D773,116	S	*	11/2016	Liu	.....	D27/167
D775,414	S	*	12/2016	Ampolini	.....	D13/108
D775,762	S	*	1/2017	Chen	.....	D27/101
D780,373	S	*	2/2017	Bennett	.....	D27/186
D783,895	S	*	4/2017	Chen	.....	D27/163
D785,237	S	*	4/2017	Wu	.....	D27/167
D785,862	S	*	5/2017	Wu	.....	D27/167
D788,362	S	*	5/2017	Qiu	.....	D27/101
D789,598	S	*	6/2017	Chen	.....	D27/163
D789,599	S	*	6/2017	Kesselman	.....	D27/189
D790,128	S	*	6/2017	Khoury	.....	D27/183
D790,766	S	*	6/2017	Li	.....	D27/163
D793,005	S	*	7/2017	Scott	.....	D27/189
D799,746	S	*	10/2017	Leidel	.....	D27/163
D800,377	S	*	10/2017	Liu	.....	D27/101
D800,380	S	*	10/2017	Williams	.....	D27/163
D802,206	S	*	11/2017	Huang	.....	D27/101
D802,834	S	*	11/2017	Mathias	.....	D27/163
2017/0050798	A1	*	2/2017	Ludewig	.....	B65D 85/54
2017/0119044	A1	*	5/2017	Oligschlaeger	.....	A24F 15/00

\* cited by examiner

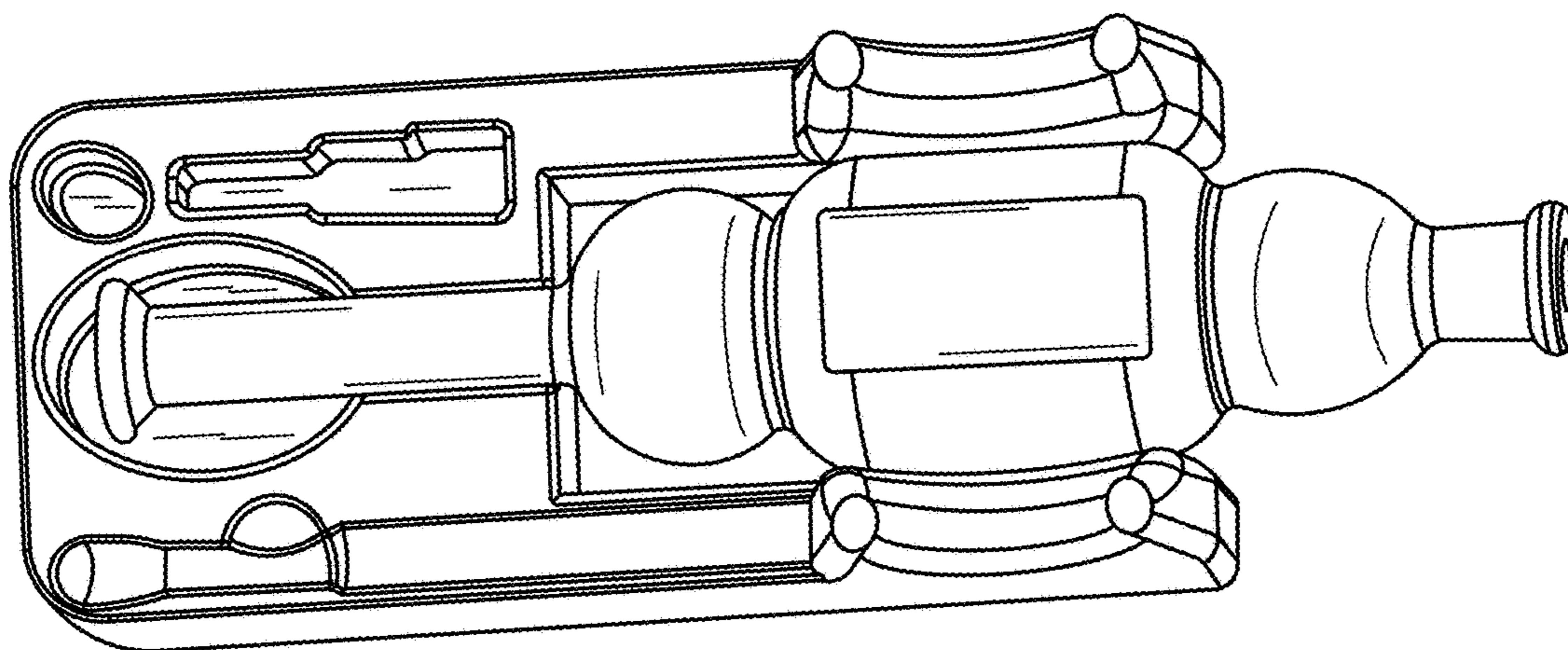


FIG. 1

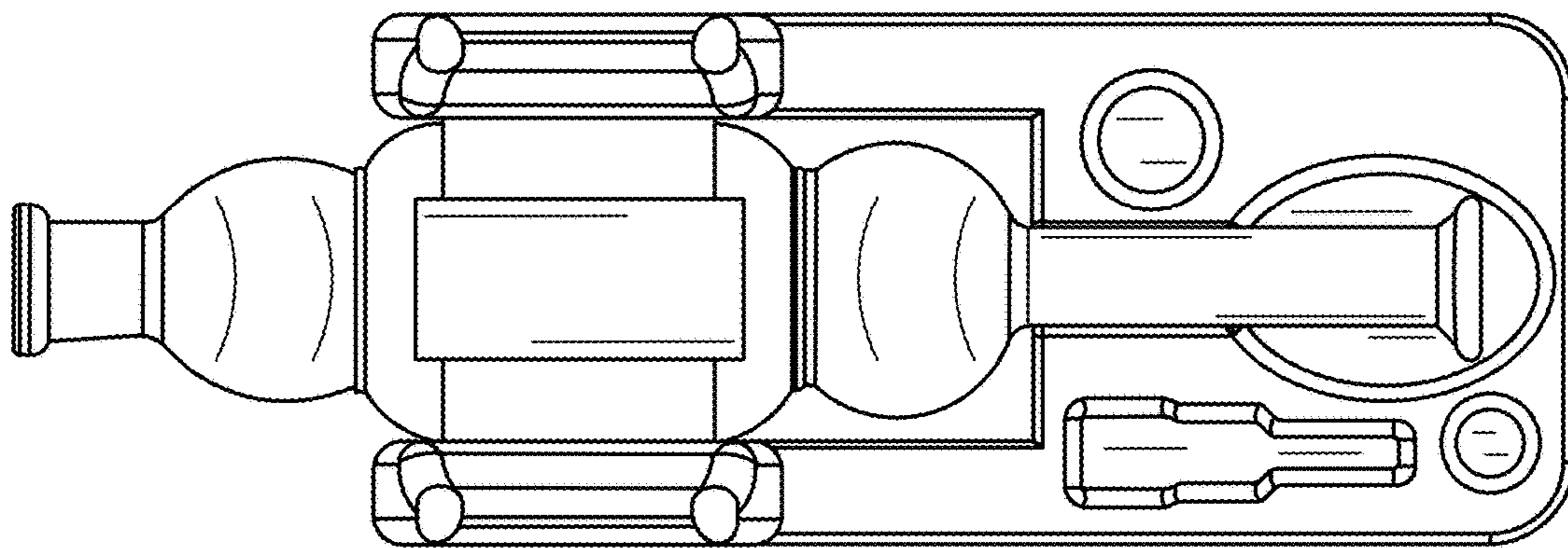


FIG. 2



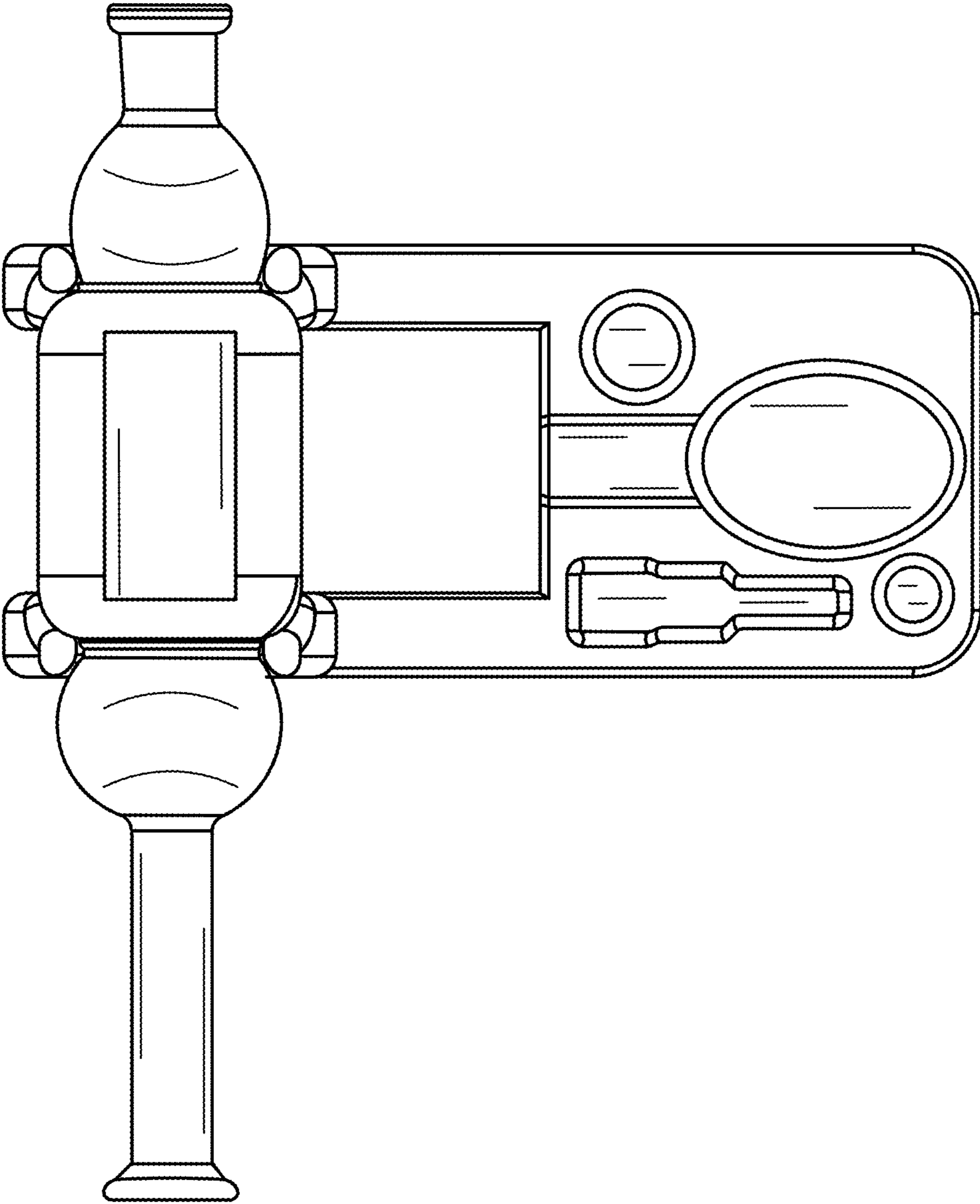


FIG. 3

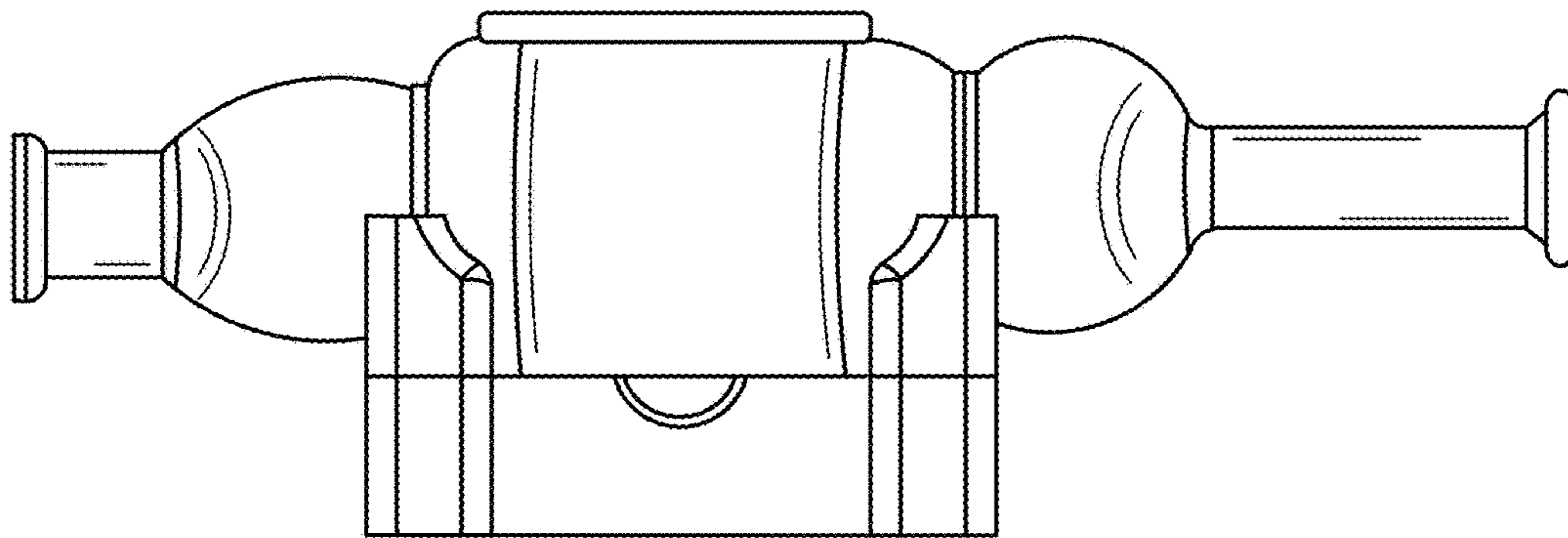


FIG. 4

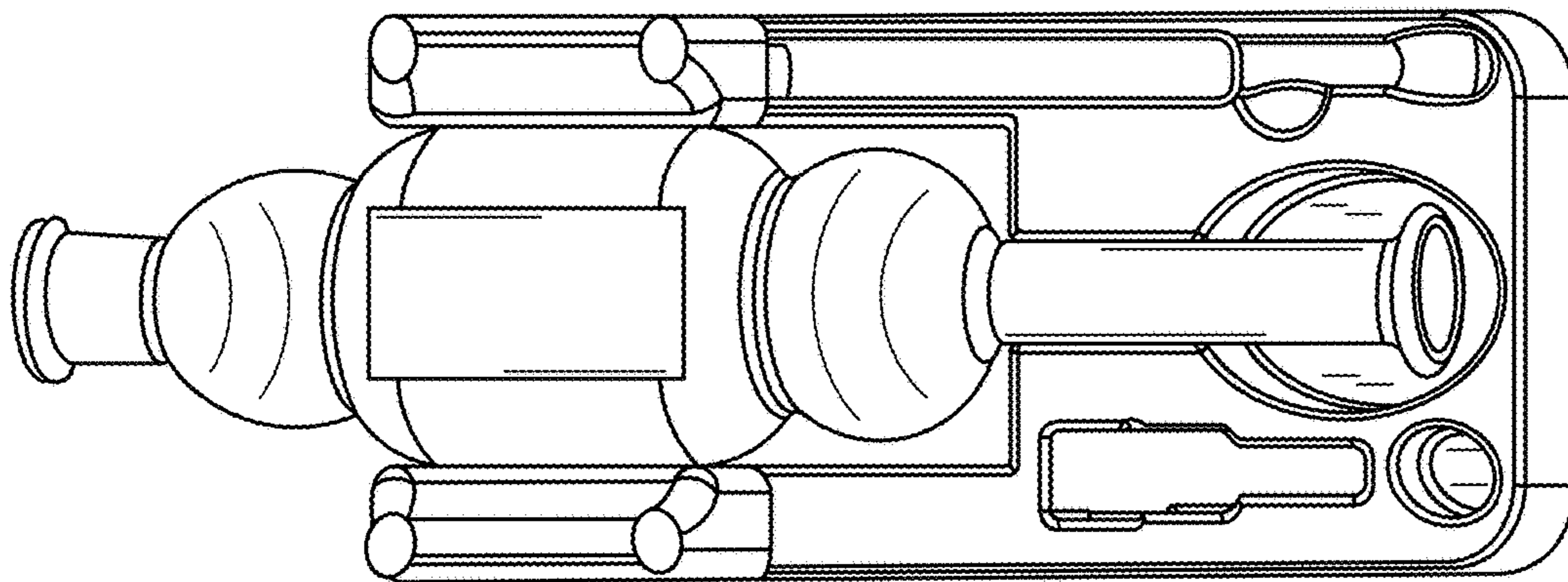


FIG. 5

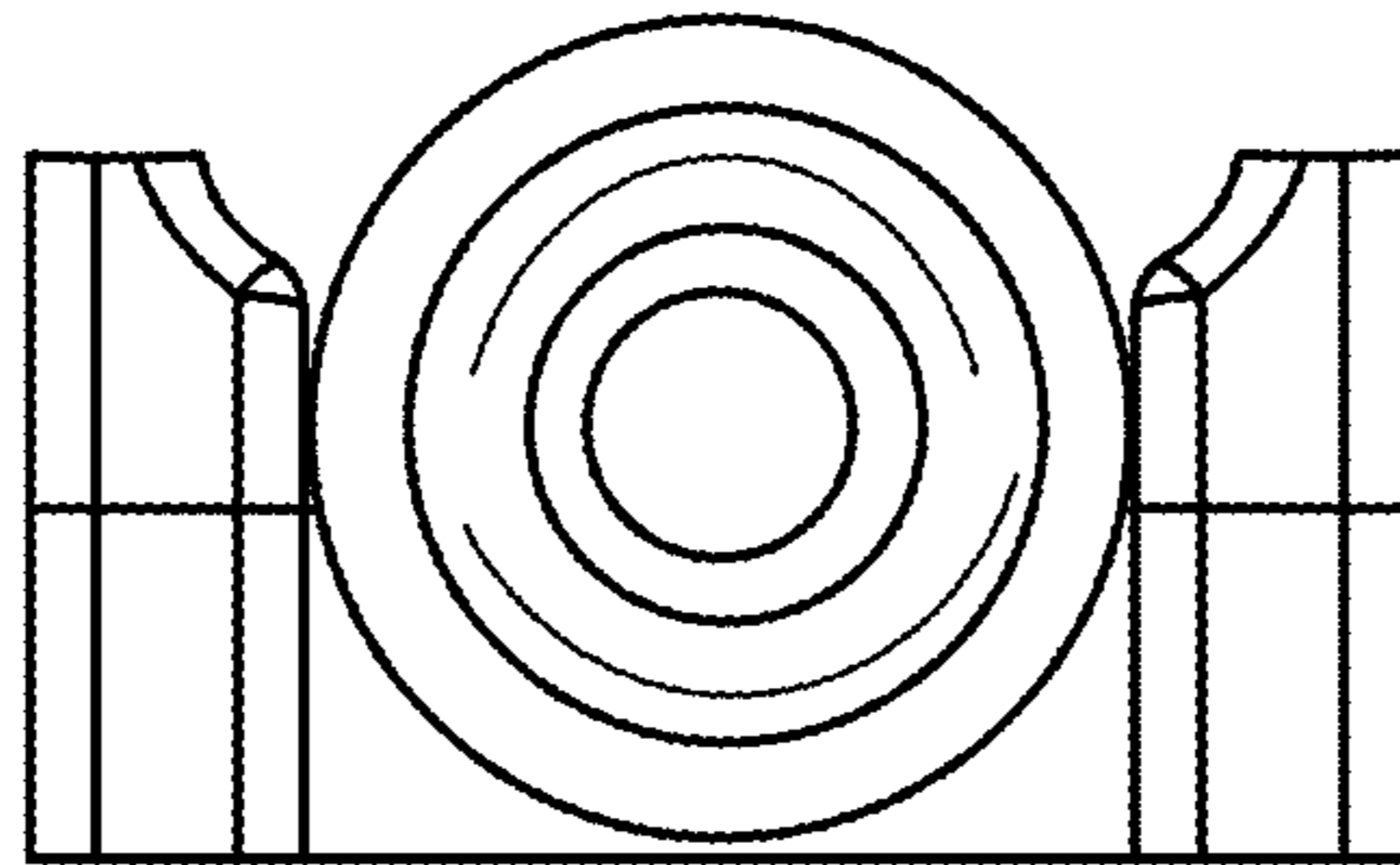


FIG. 6



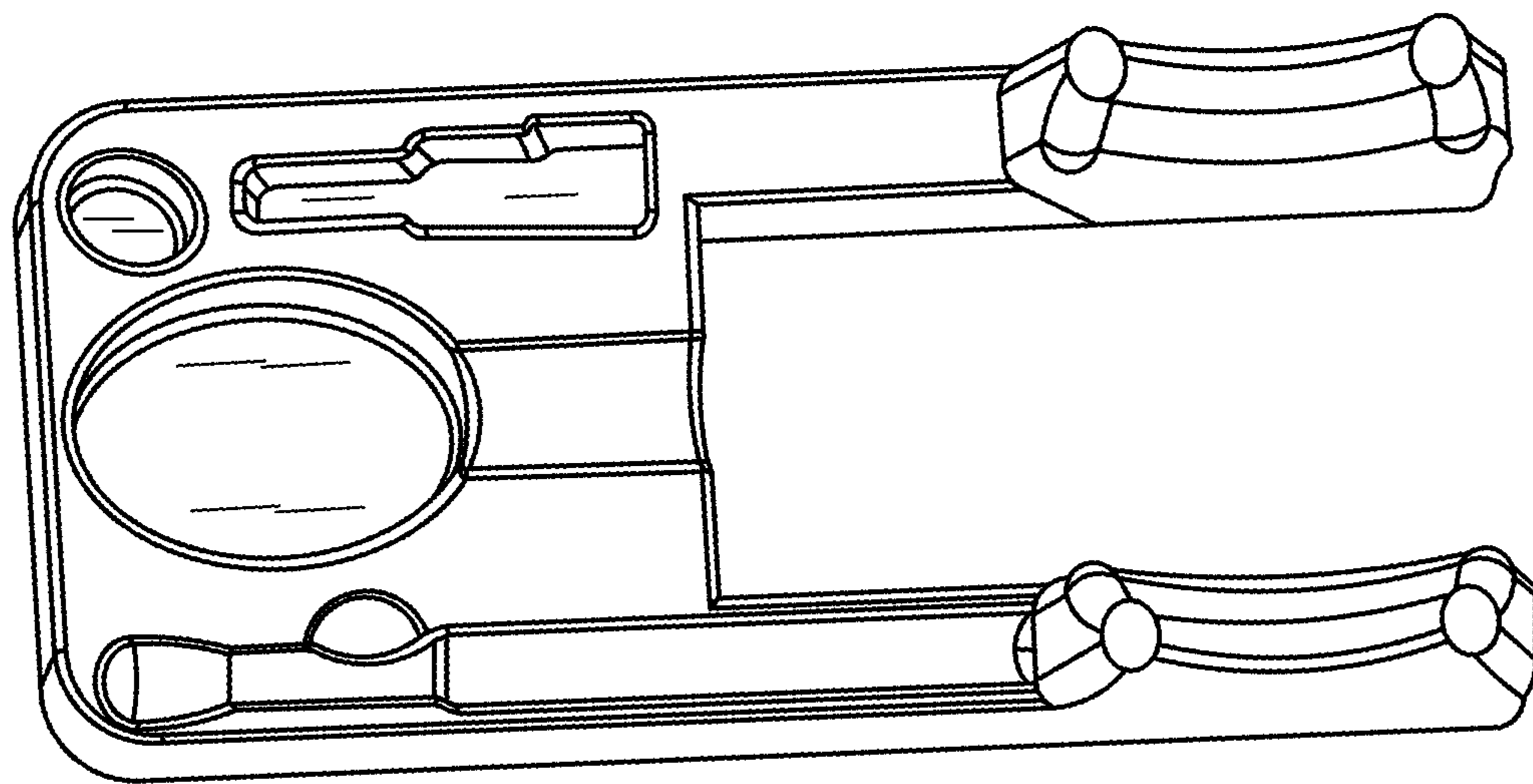


FIG. 7

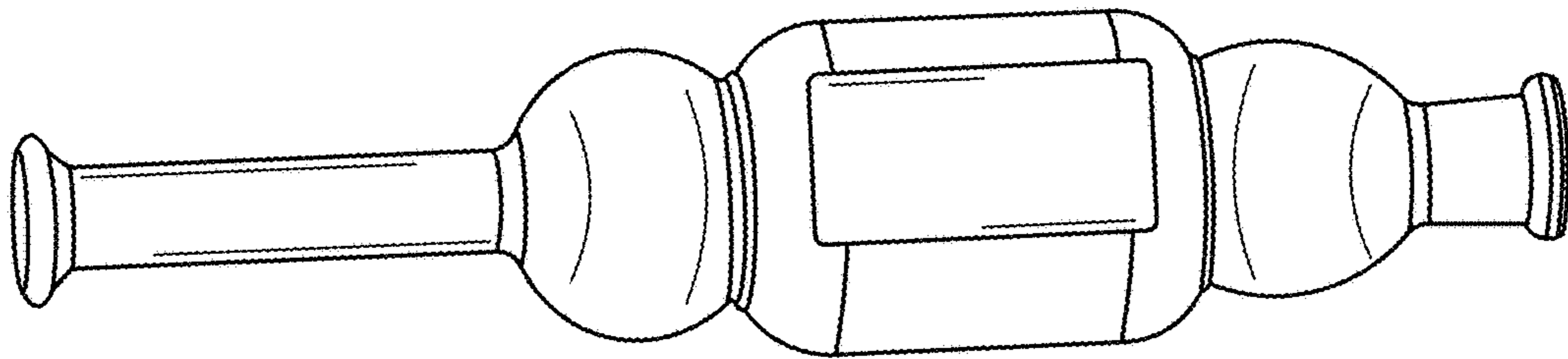


FIG. 8