



US00D811649S

(12) **United States Design Patent**
Cai et al.

(10) **Patent No.:** **US D811,649 S**
(45) **Date of Patent:** **** Feb. 27, 2018**

(54) **LED DISPLAY**

(56) **References Cited**

(71) Applicant: **ROE Visual Co., Ltd.**, Shenzhen,
Guangdong (CN)
(72) Inventors: **Danhu Cai**, Guangdong (CN); **Chen**
Lu, Guangdong (CN)
(73) Assignee: **ROE Visual Co., Ltd.**, Shenzhen (CN)
(**) Term: **15 Years**
(21) Appl. No.: **29/577,268**
(22) Filed: **Sep. 12, 2016**

U.S. PATENT DOCUMENTS

D257,891 S *	1/1981	Drost	D26/102
D337,168 S *	7/1993	Gordin	D26/138
D353,911 S *	12/1994	Gordin	D26/138
D681,869 S *	5/2013	Goelz	D26/138
D757,343 S *	5/2016	Dupuis	D26/110
D758,646 S *	6/2016	Reynolds	D26/138
D769,517 S *	10/2016	Maas	F21V 11/02 D26/138
D790,753 S *	6/2017	Rashidi Doust	D26/113

* cited by examiner

Primary Examiner — Brian N. Vinson

(30) **Foreign Application Priority Data**

Mar. 11, 2016 (CN) 2016 3 0068601

(51) **LOC (11) Cl.** **26-99**

(52) **U.S. Cl.**
USPC **D26/138**

(58) **Field of Classification Search**
USPC D10/111–115; D13/134, 179; D25/1, 6,
D25/100, 199; D26/2, 3, 8, 23–27, 37,
D26/38, 39, 40, 44, 46, 48, 49, 50, 60,
D26/61, 63, 65, 67, 104, 113, 118, 119,
D26/138, 140–145, 148, 152, 153, 155,
D26/156
CPC F21S 8/02; F21S 8/03; F21S 8/036; F21S
8/037; F21S 8/043; F21S 8/063; F21S
8/061; F21S 8/066; F21S 13/12; F21S
6/00; F21S 6/001; F21S 10/063; F21V
23/001; F21V 21/03; F21V 21/34; F21V
21/02

See application file for complete search history.

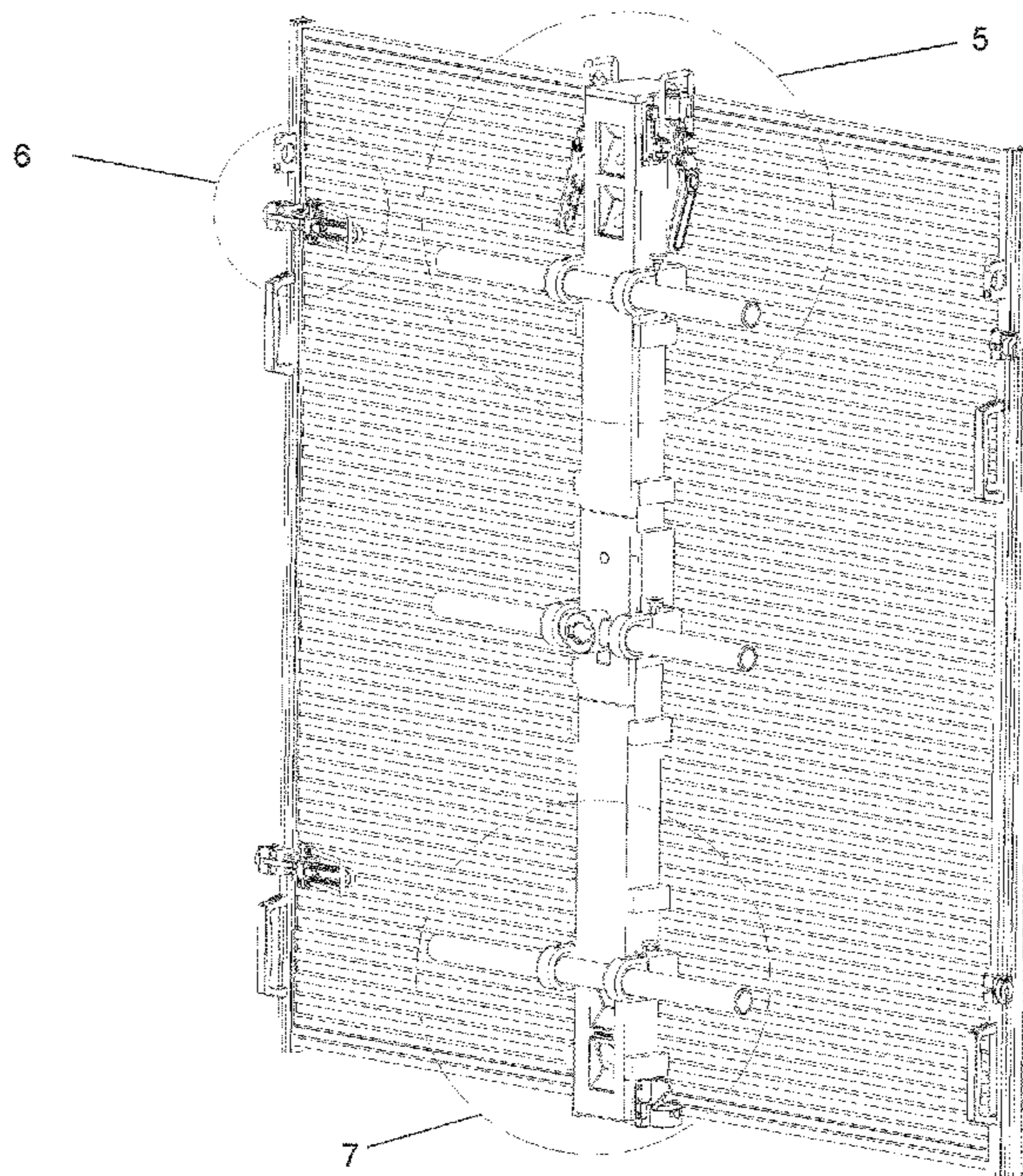
(57) **CLAIM**

The ornamental design for a LED display, as shown and described.

DESCRIPTION

FIG. 1 is a front elevational view of a LED display showing our new design;
FIG. 2 is a rear elevational view of FIG. 1;
FIG. 3 is an enlarged perspective view of a portion of the right side of the LED display;
FIG. 4 is a top, rear and left side perspective view of the LED display;
FIG. 5 is an enlarged view of portion 5 of FIG. 4;
FIG. 6 is an enlarged view of portion 6 of FIG. 4;
FIG. 7 is an enlarged view of portion 7 of FIG. 4; and,
FIG. 8 is an enlarged perspective view of a portion of the left side of the LED display.

1 Claim, 8 Drawing Sheets



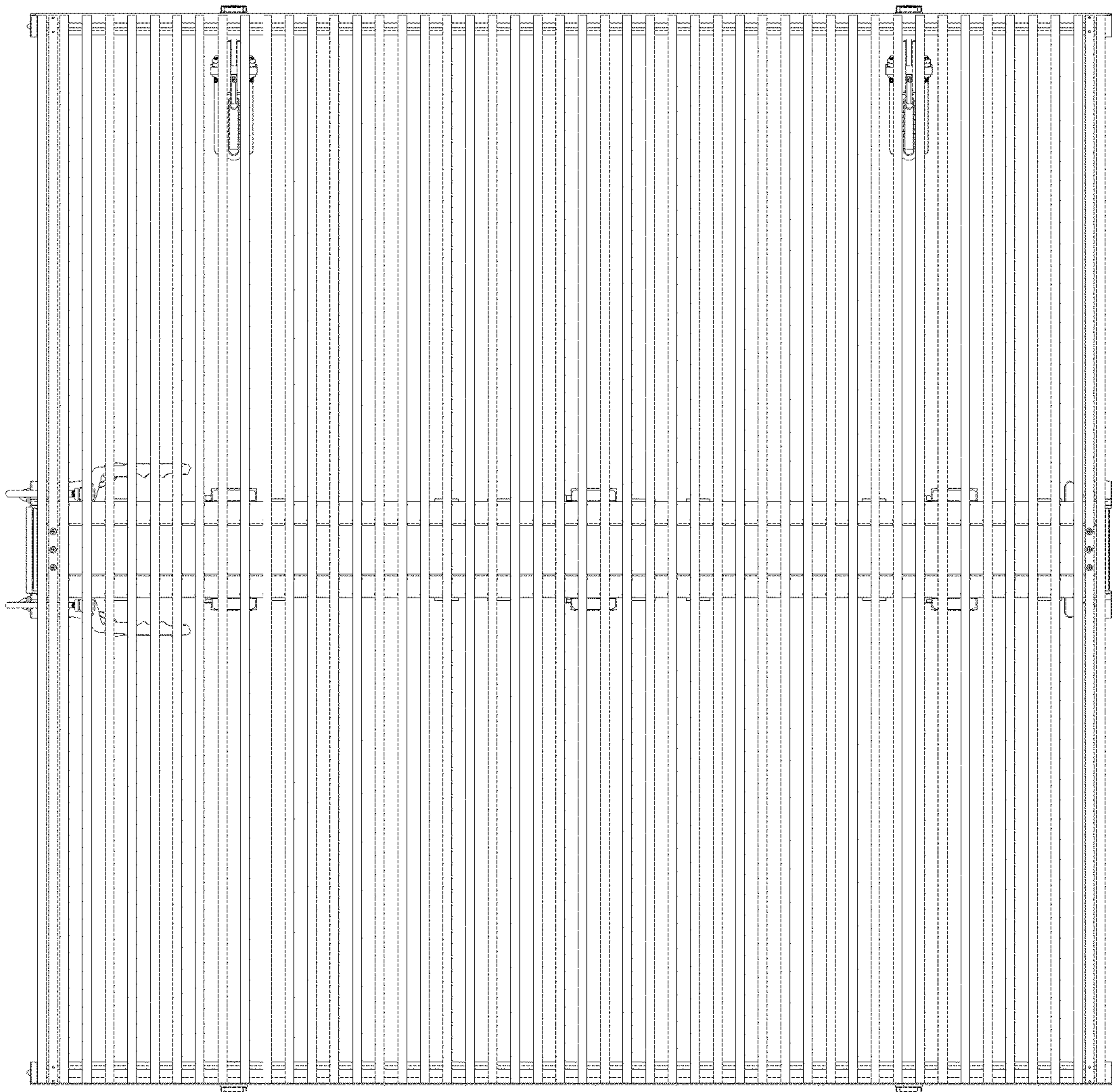


Fig. 1

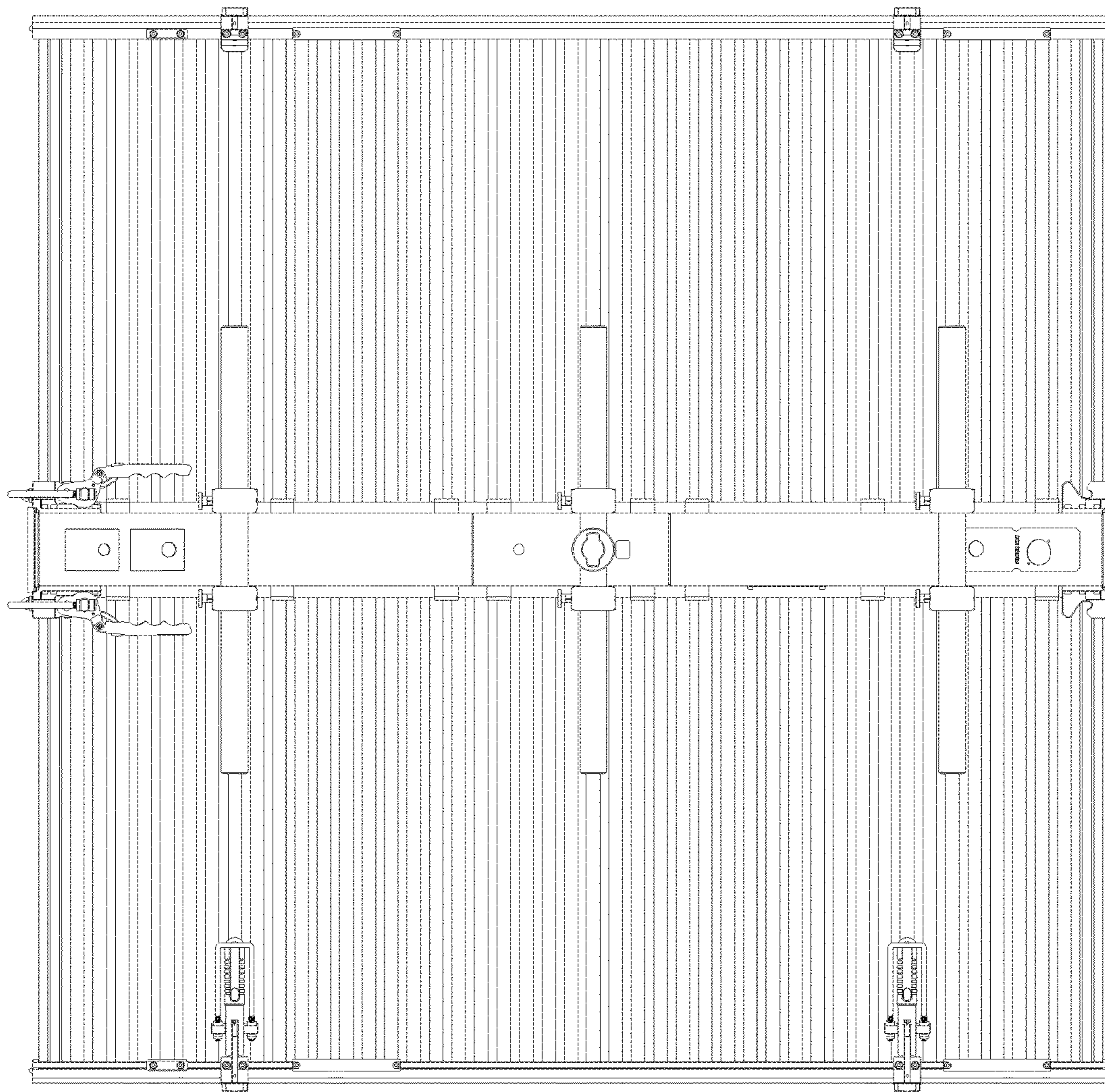


Fig. 2

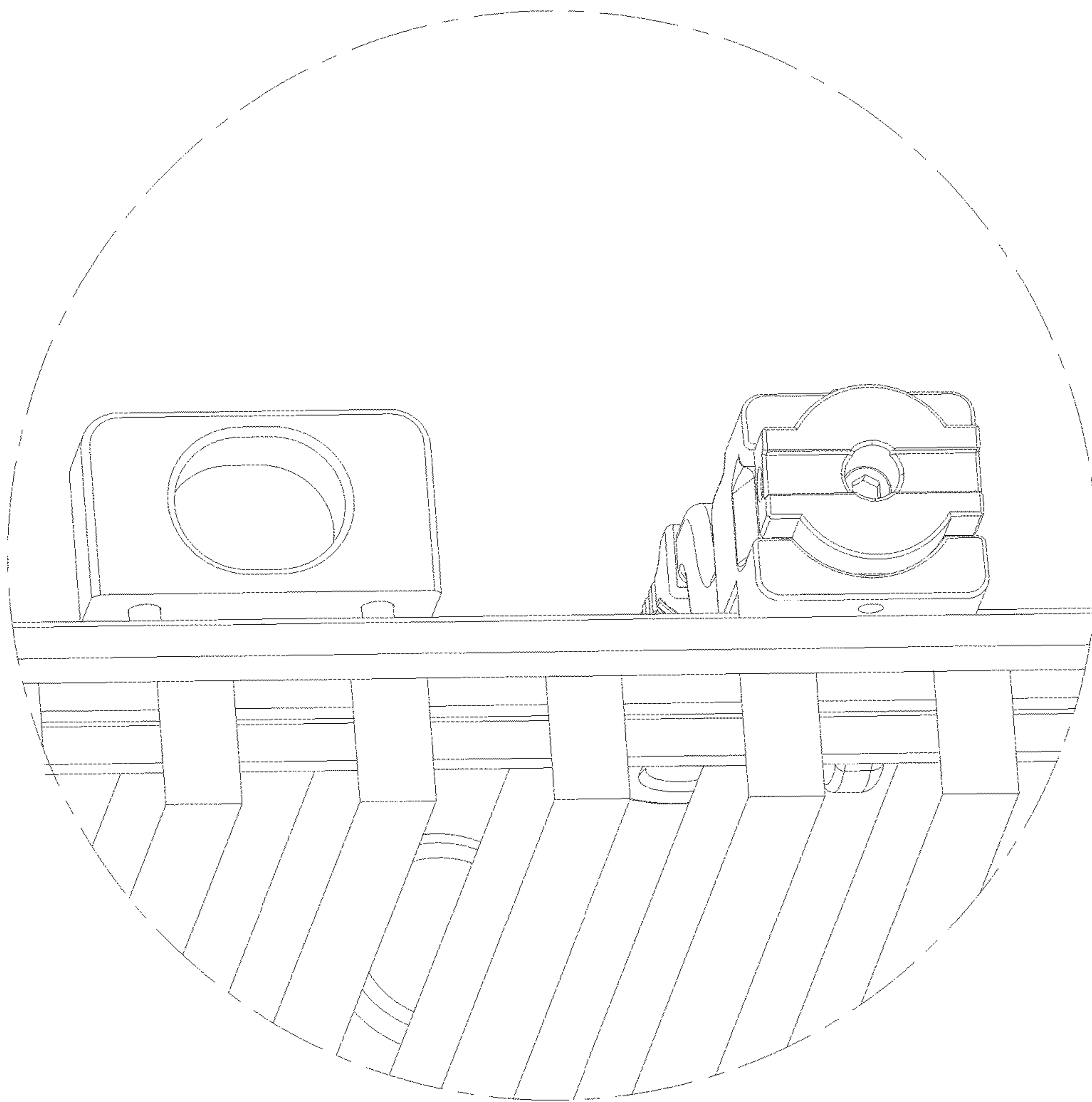


Fig. 3

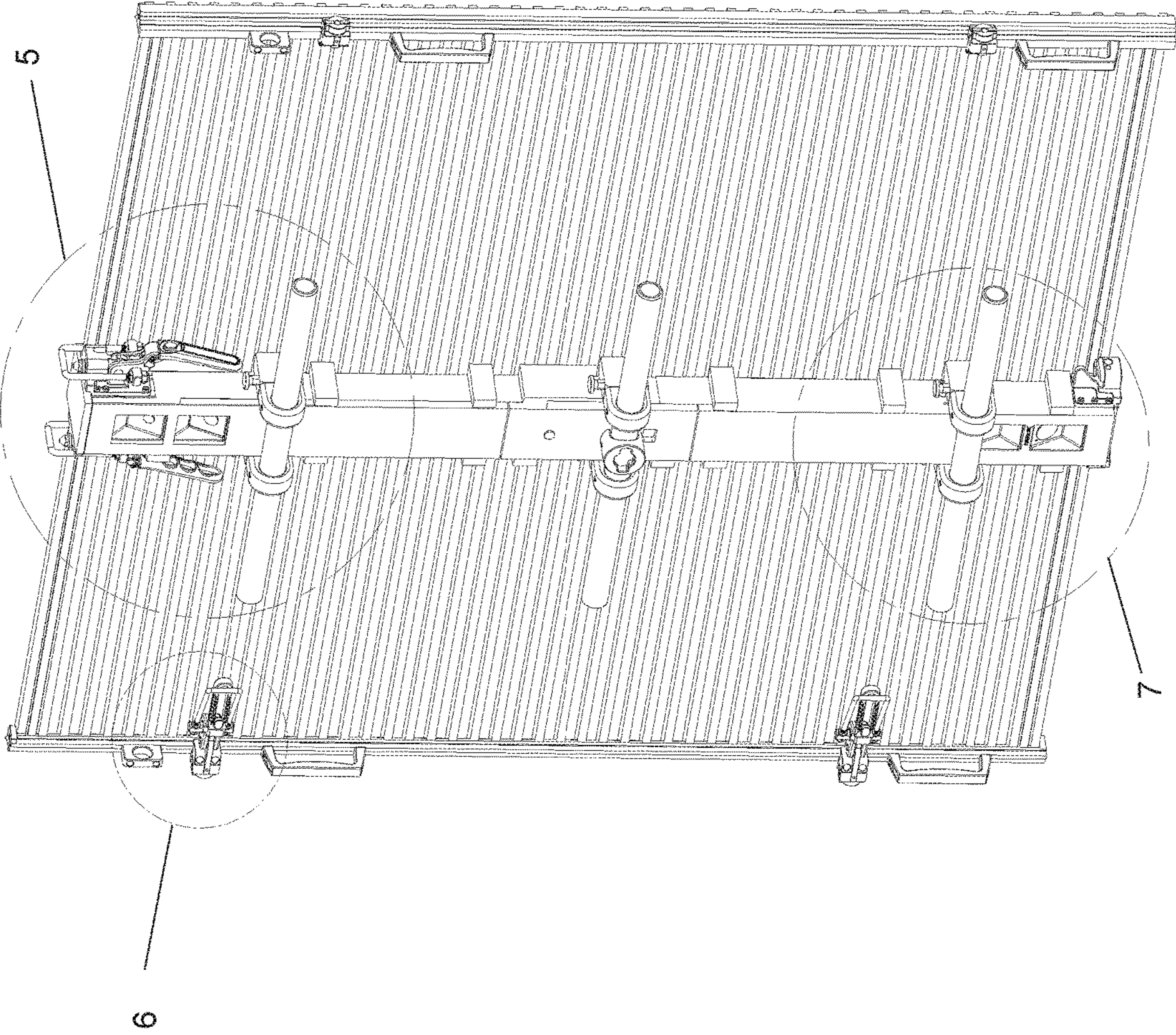


Fig. 4

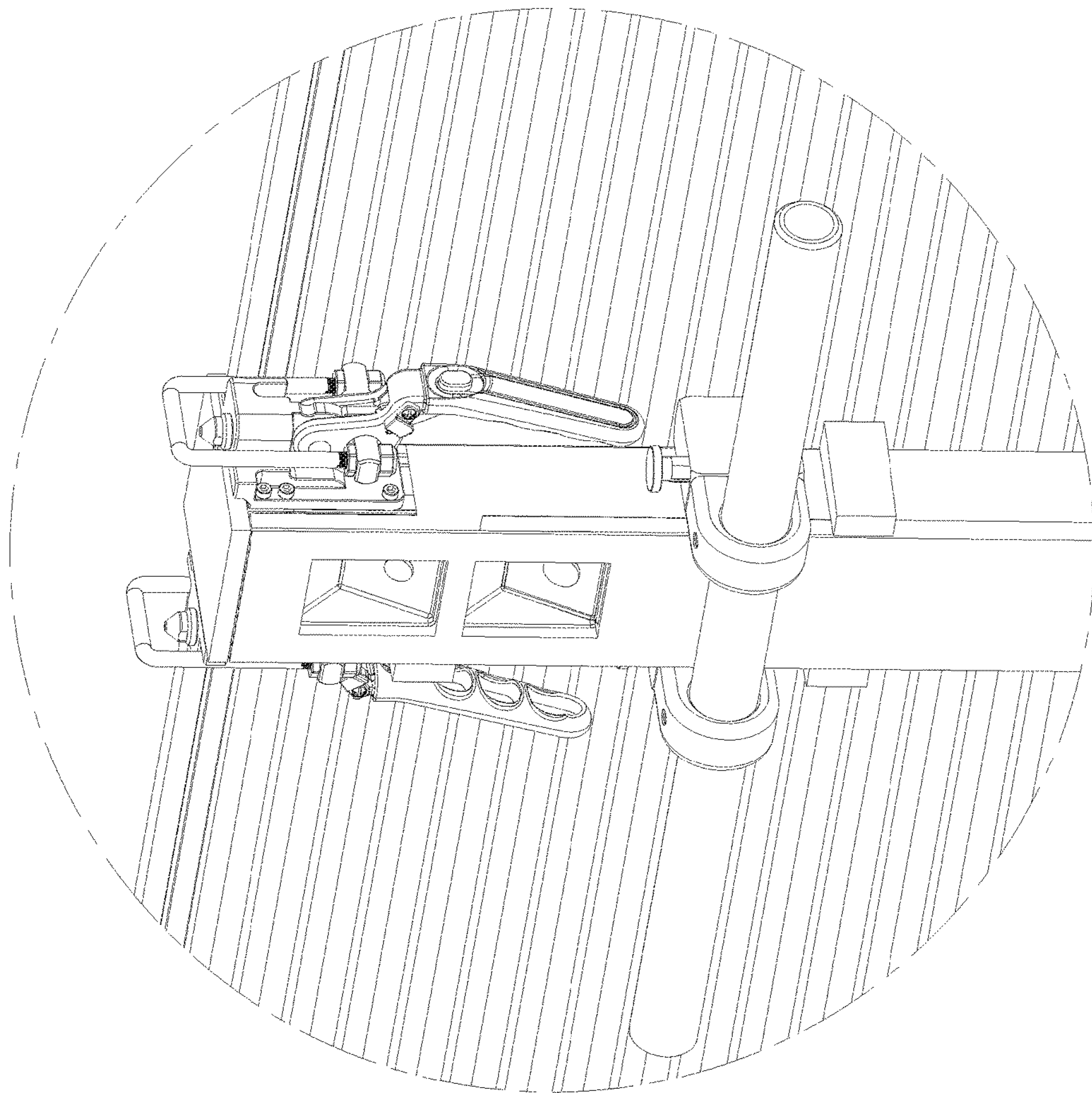


Fig. 5

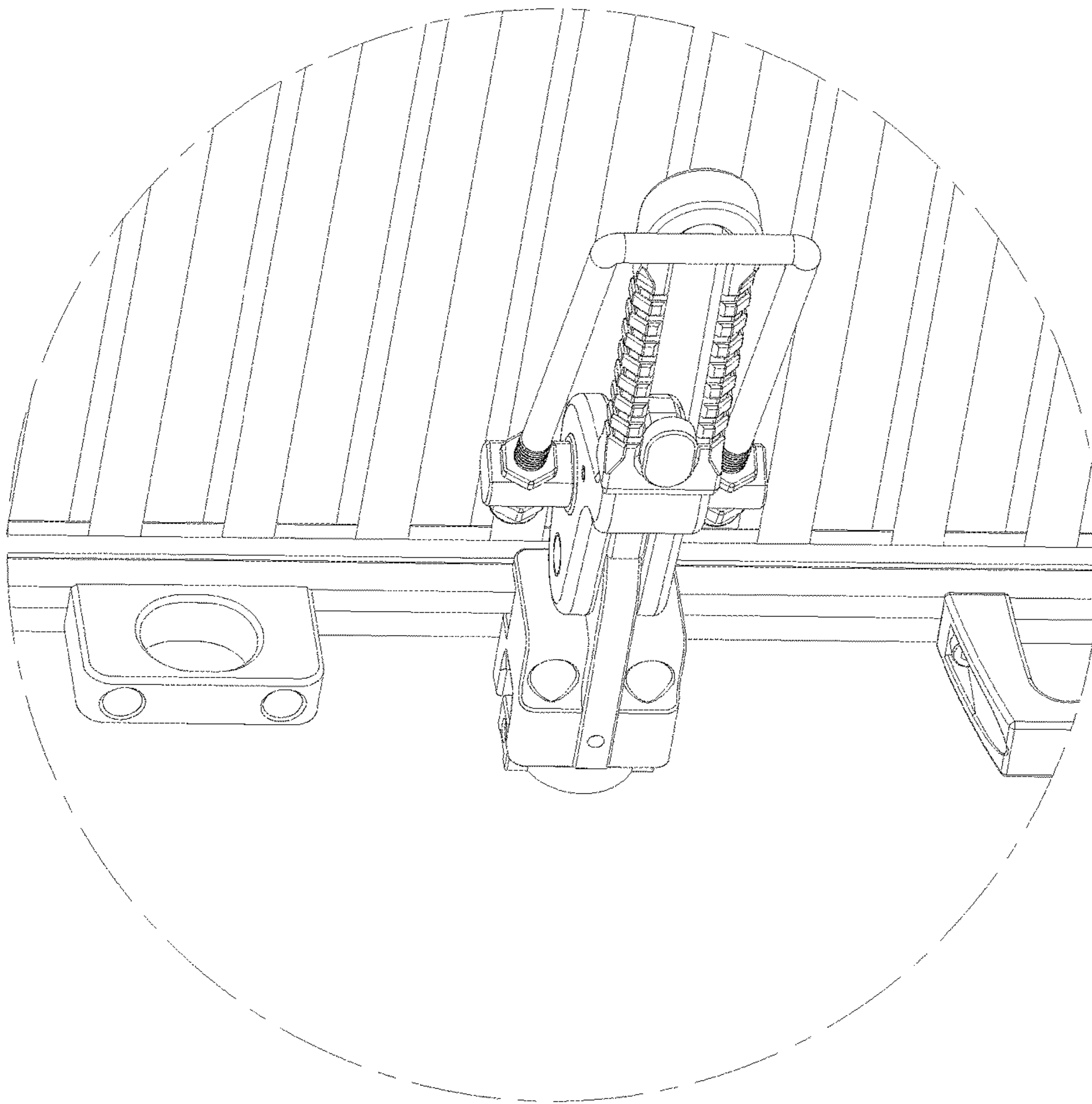


Fig. 6

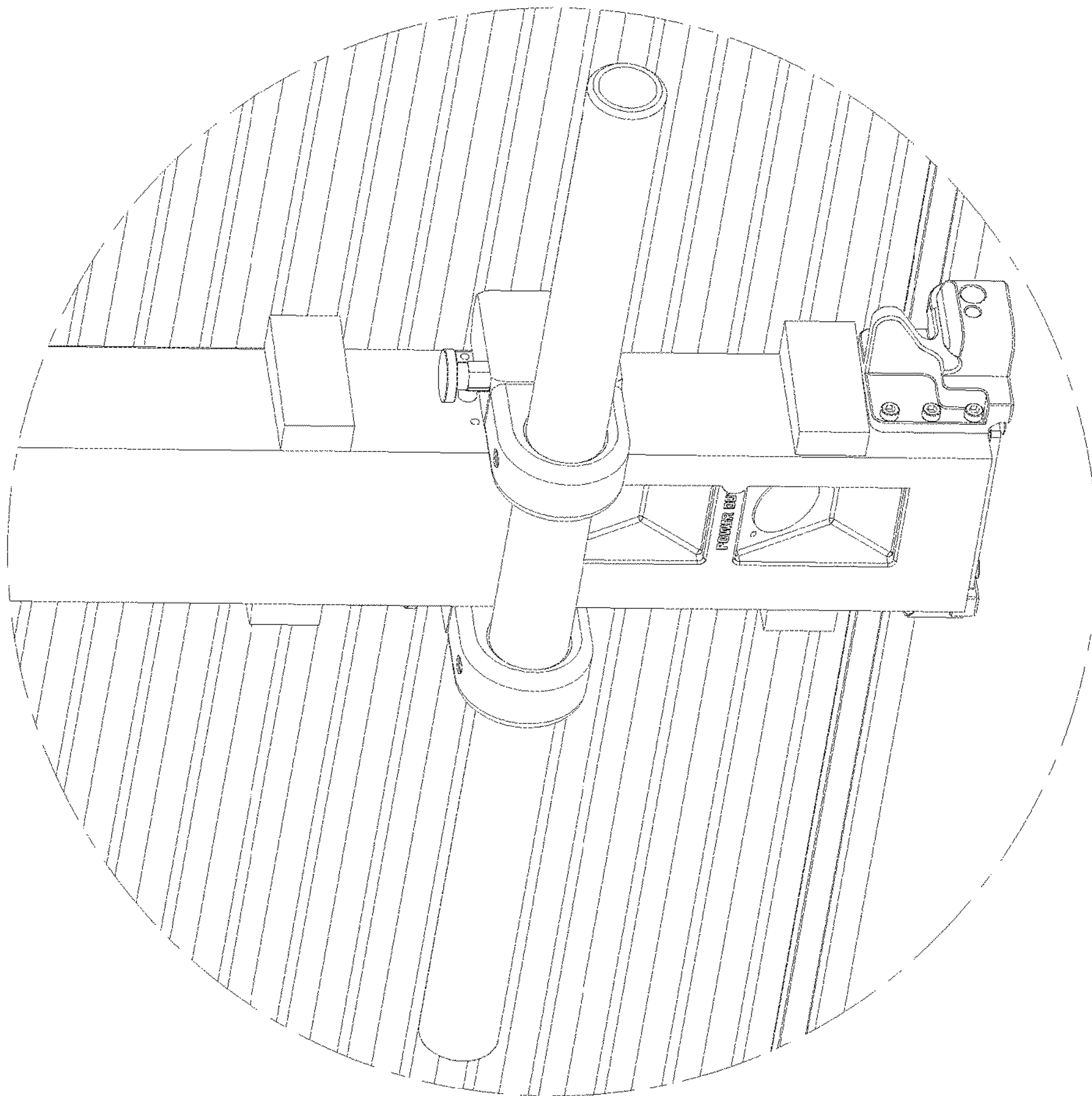


Fig. 7

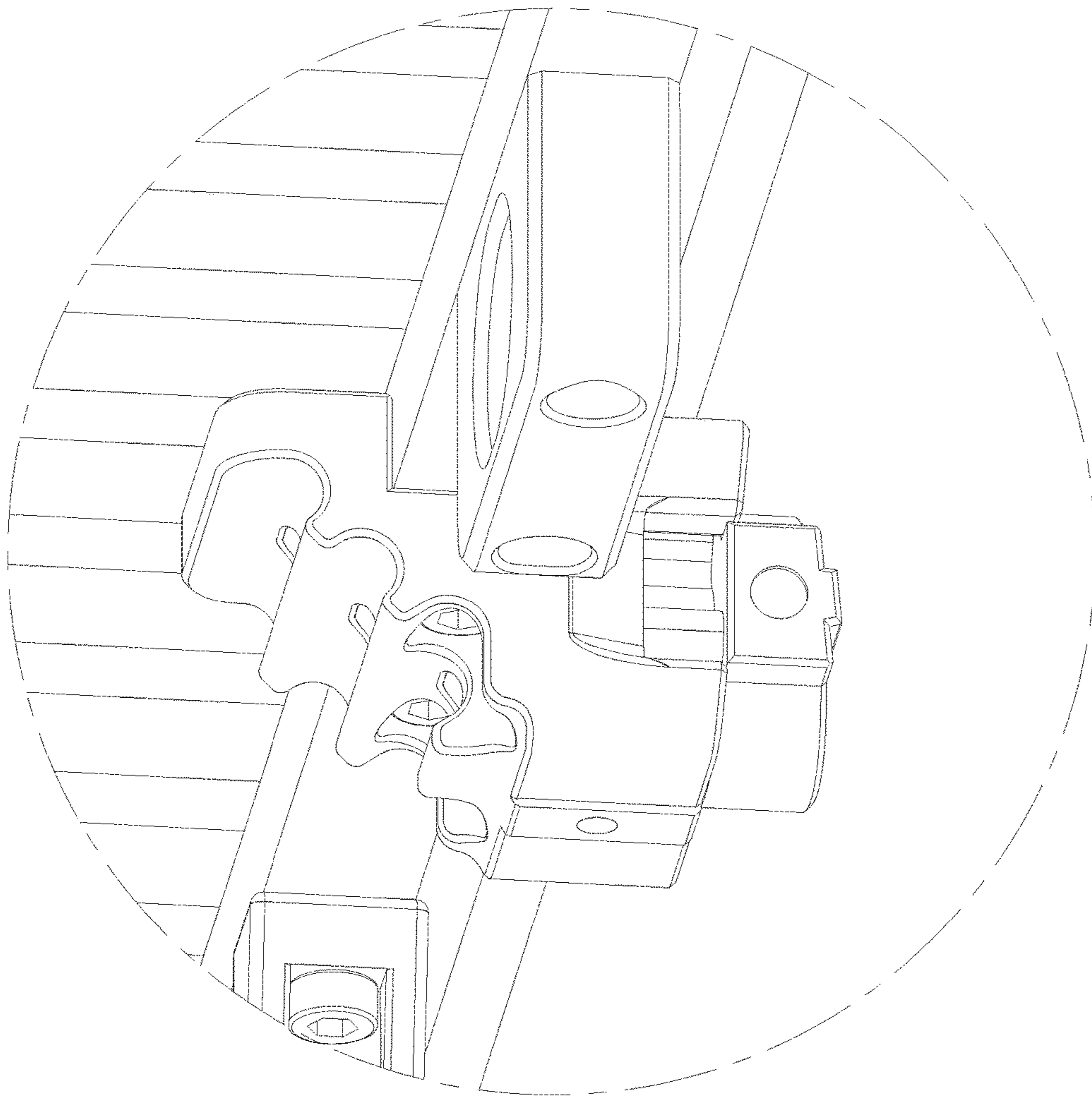


Fig. 8