



US00D811647S

(12) **United States Design Patent** (10) **Patent No.:** **US D811,647 S**
Stanley (45) **Date of Patent:** **** Feb. 27, 2018**

(54) **HORTICULTURE GROW LIGHT**

FOREIGN PATENT DOCUMENTS

(71) Applicant: **IP Holdings, LLC**, Vancouver, WA (US)

CA 2034710 8/1991
CA 1314529 3/1993

(Continued)

(72) Inventor: **John Stanley**, Vancouver, WA (US)

OTHER PUBLICATIONS

(73) Assignee: **IP Holdings, LLC**, Vancouver, WA (US)

AplusChoice—Hydroponics, image post date Dec. 2, 2014, site visited Jul. 13, 2017, (online), <https://www.tineye.com/search/6589596c8738268de70acceca20d64855d0f1d2/?sort=crawl_date&order=asc>.*

(**) Term: **15 Years**

(Continued)

(21) Appl. No.: **29/600,276**

(22) Filed: **Apr. 11, 2017**

Primary Examiner — Kevin Rudzinski

Assistant Examiner — Sean D Lough

(74) *Attorney, Agent, or Firm* — J. Douglas Wells

Related U.S. Application Data

(63) Continuation of application No. 29/552,185, filed on Jan. 20, 2016, now Pat. No. Des. 783,887, which is a (Continued)

(57) **CLAIM**

The ornamental design for a horticulture grow light, as shown and described.

(51) **LOC (11) Cl.** **26-99**

(52) **U.S. Cl.**

USPC **D26/118**

DESCRIPTION

(58) **Field of Classification Search**

USPC D26/2, 28, 60, 72, 89, 104, 113, 118, D26/119, 120, 122, 124, 128, 138, 142, D26/143, 145; D13/102, 103, 107, 108, D13/179, 180

CPC . A63H 30/04; B29D 21/04; F21S 2/00; F21S 2/005; F21S 8/04; F21V 15/015; F21V 21/005; F21V 21/04; F21V 21/14; F21V 27/00; F21V 29/006; F21Y 2101/02;

(Continued)

FIG. 1 is a perspective view a horticulture grow light, as viewed from below, showing my new design;
FIG. 2 is a perspective view of the grow light shown in FIG. 1, as viewed from above;
FIG. 3 is a left side view of the light shown in FIG. 1;
FIG. 4 is a right side view of the light shown in FIG. 1;
FIG. 5 is a front elevation view of the light shown in FIG. 1;
FIG. 6 is a rear elevation view of the light shown in FIG. 1;
FIG. 7 is a top plan view of the light shown in FIG. 1; and, FIG. 8 is a bottom plan view of the light shown in FIG. 1. The broken-line disclosure shown in the views is understood to represent portions of the article in which the claimed design is embodied, but which form no part of the claimed design.

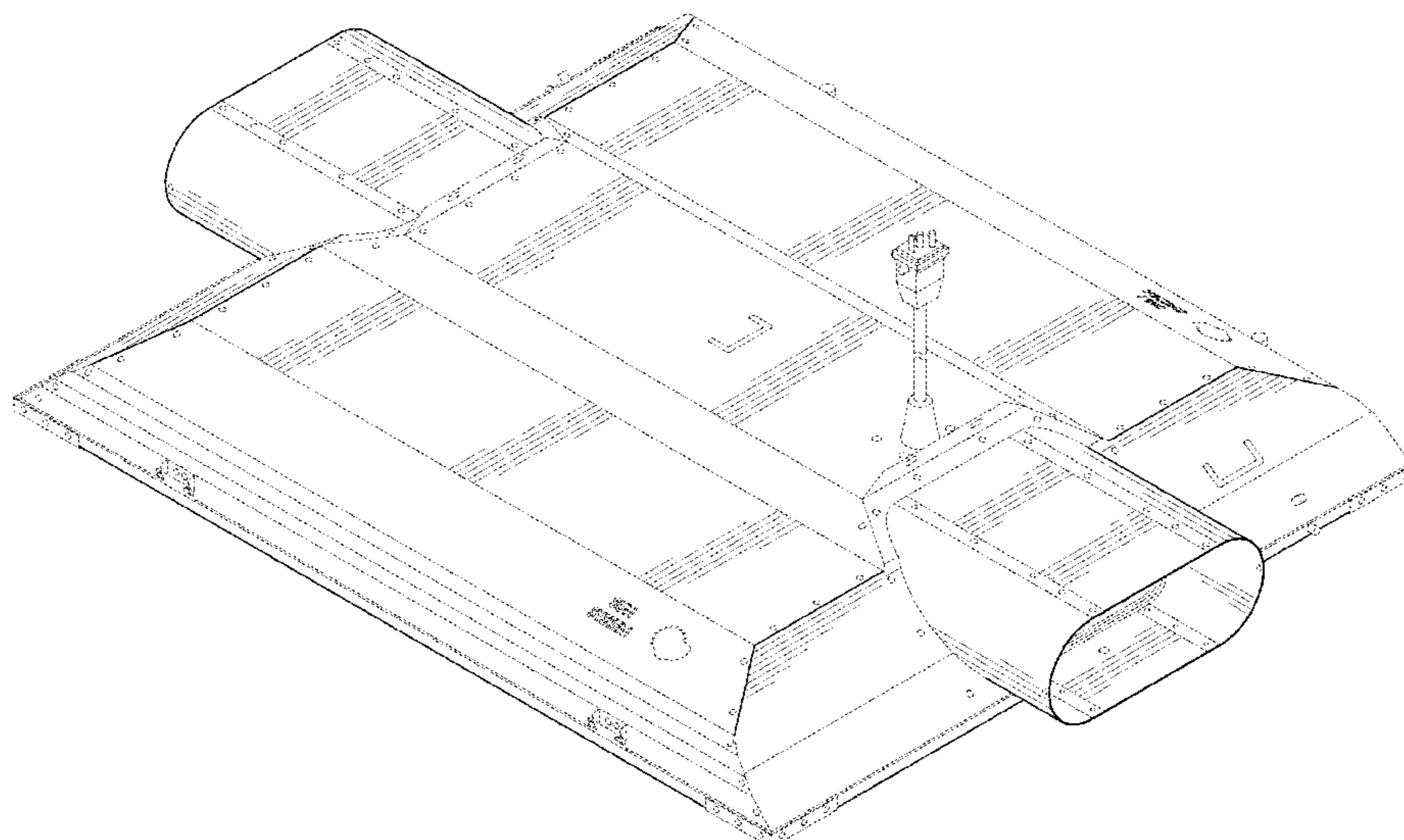
(56) **References Cited**

U.S. PATENT DOCUMENTS

D32,722 S 7/1861 Schmidlin
D46,253 S 8/1914 Kopp

(Continued)

1 Claim, 6 Drawing Sheets



Related U.S. Application Data

continuation of application No. 29/511,535, filed on Dec. 11, 2014, now Pat. No. Des. 751,245.

- (58) **Field of Classification Search**
 CPC .. F21Y 2103/00; F41C 27/00; F41C 33/0254
 See application file for complete search history.

- (56) **References Cited**

U.S. PATENT DOCUMENTS

1,410,945	A	3/1922	Walker Mayfield	
1,547,026	A	7/1925	Canney	
D85,049	S	9/1931	Kopp	
D85,382	S	10/1931	Guth	
1,848,734	A	3/1932	Luce	
1,873,310	A	8/1932	Doane	
1,930,070	A	10/1933	Zecher	
1,987,705	A	1/1935	Pedersen	
D106,614	S	10/1937	Waterbury	
2,194,841	A	3/1940	Welch	
D119,800	S	4/1940	Carter	
D123,768	S	12/1940	Scribner	
D128,049	S	7/1941	Kurtz	
D135,375	S	3/1943	Biller	
2,339,100	A	1/1944	Netting	
2,348,617	A	5/1944	Furedy	
D174,221	S	3/1955	Hatch	
2,740,883	A	4/1956	Kruger	
2,741,694	A	4/1956	Wiig	
3,025,391	A	3/1962	Golko	
D193,802	S	10/1962	Thomsen	
D195,012	S	4/1963	Hoyle	
3,125,301	A	3/1964	Stotter	
3,263,071	A	7/1966	Fabbri	
3,272,978	A	* 9/1966	Jackson	F21S 8/06 174/535
3,322,946	A	5/1967	Cooper	
3,420,995	A	1/1969	Dunckel	
D213,391	S	2/1969	Bruno	
3,433,941	A	3/1969	Hall	
3,684,883	A	8/1972	Entwistle	
3,701,898	A	10/1972	McNamara, Jr.	
3,829,677	A	8/1974	DeLlano	
4,028,542	A	6/1977	McReynolds, Jr.	
D245,016	S	7/1977	Barr	
4,037,096	A	7/1977	Brengord	
4,078,169	A	3/1978	Armstrong	
4,175,360	A	11/1979	Mulvey	
D259,738	S	6/1981	Boschetti	
D266,578	S	10/1982	Moshier	
D268,287	S	3/1983	Boschetti	
D270,577	S	9/1983	DeVos	
4,446,506	A	* 5/1984	Larson	G03B 15/02 362/17
4,531,180	A	7/1985	Hernandez	
4,669,033	A	5/1987	Lee	
D290,662	S	7/1987	Basil	
D300,877	S	4/1989	Cyr	
4,855,884	A	8/1989	Richardson	
4,893,221	A	1/1990	Friedman	
4,933,821	A	6/1990	Anderson	
D311,597	S	10/1990	Poot	
5,006,752	A	4/1991	Eggink	
D323,897	S	2/1992	Compton	
5,192,129	A	3/1993	Figueroa	
5,199,784	A	4/1993	Hempleman	
5,253,152	A	10/1993	Yang	
5,353,746	A	10/1994	Del Rosario	
D352,126	S	11/1994	Ruud	
5,440,470	A	8/1995	Ly	
D373,000	S	8/1996	Brady	
D376,437	S	10/1996	Karlo	
5,570,947	A	11/1996	Felland	
5,621,267	A	4/1997	Shaffner	
D383,243	S	9/1997	Fry	
5,702,179	A	12/1997	Sidwell	

D396,319	S	7/1998	Sutton
D399,328	S	10/1998	Compton
D400,289	S	10/1998	Wardenburg
D401,006	S	11/1998	Edwards
D405,976	S	2/1999	Beall
5,924,789	A	7/1999	Yurich
5,938,317	A	8/1999	Thornton
D415,304	S	10/1999	Brown
D418,626	S	1/2000	Herst
D419,248	S	1/2000	Lyons
6,024,468	A	2/2000	Kassay
6,042,250	A	3/2000	Stragnola
6,053,624	A	4/2000	Cronk
D425,237	S	5/2000	Scott
D425,652	S	5/2000	Brok
D426,010	S	5/2000	Compton
6,065,849	A	5/2000	Chen
6,079,851	A	6/2000	Altman
D428,516	S	7/2000	Reo
6,152,579	A	11/2000	Reed
D439,008	S	3/2001	Kim
6,247,830	B1	6/2001	Winnett
D445,943	S	7/2001	Littman
6,257,735	B1	7/2001	Baar
6,267,483	B1	7/2001	Hembery
D447,272	S	8/2001	Smith
6,299,327	B1	10/2001	Camarota
D452,559	S	12/2001	Schonberger
D456,927	S	5/2002	Russello
D456,928	S	5/2002	Russello
D456,938	S	5/2002	Wardenburg
D457,450	S	5/2002	Lamond et al.
D459,825	S	7/2002	Field
6,488,387	B2	12/2002	Wardenburg
D469,564	S	1/2003	Brok
6,527,422	B1	3/2003	Hutchison
6,548,948	B1	4/2003	Muessli
6,595,662	B2	7/2003	Wardenburg
6,679,619	B2	1/2004	Saieva
D486,593	S	2/2004	Griffin
6,688,759	B1	2/2004	Hadjimichael
D499,505	S	12/2004	Benensohn
D504,343	S	4/2005	Ek
6,908,212	B2	6/2005	Schultz
7,011,424	B1	3/2006	Poulson
7,083,309	B2	8/2006	Chan
7,101,060	B2	9/2006	Oppenheimer
7,131,753	B1	11/2006	Edwards, Jr.
7,156,539	B2	1/2007	Cronk
D542,460	S	5/2007	Hargreaves
D543,652	S	5/2007	Hargreaves
D543,654	S	5/2007	Hargreaves
D543,655	S	5/2007	Hargreaves
D544,136	S	6/2007	Hargreaves
D544,138	S	6/2007	Hargreaves
D544,139	S	6/2007	Hargreaves
D544,626	S	6/2007	Hargreaves
D544,983	S	6/2007	Hargreaves
D544,984	S	6/2007	Hargreaves
D544,985	S	6/2007	Hargreaves
D544,987	S	6/2007	Hargreaves
D544,994	S	6/2007	Hargreaves
D544,995	S	6/2007	Hargreaves
D545,460	S	6/2007	Mason, II
D545,484	S	6/2007	Hargreaves
D545,485	S	6/2007	Hargreaves
D545,990	S	7/2007	Hargreaves
D545,994	S	7/2007	Hargreaves
D545,996	S	7/2007	Hargreaves
D553,781	S	10/2007	Pickard
7,360,927	B2	4/2008	Oka
D569,024	S	5/2008	Redfern
D572,858	S	7/2008	Santoro
7,445,363	B2	11/2008	Vanden Eynden
7,524,090	B2	4/2009	Hargreaves
D603,087	S	10/2009	Mo
D605,342	S	12/2009	Chung
D608,490	S	1/2010	Chung
7,641,367	B2	1/2010	Hargreaves

(56)

References Cited

U.S. PATENT DOCUMENTS

7,654,702 B1	2/2010	Ding		D732,234 S	6/2015	Rashidi Doust	
D611,183 S	3/2010	Duarte		D732,235 S	6/2015	Reynolds	
D613,900 S	4/2010	Hargreaves		D732,236 S	6/2015	Reynolds	
D614,801 S	4/2010	Collins		D733,347 S	6/2015	Dungan	
7,722,228 B2	5/2010	Broer		9,052,075 B2	6/2015	Demuynck	
D617,028 S	6/2010	Verfuertth		D733,952 S	7/2015	Lay	
D620,190 S	7/2010	Chung		D733,960 S	7/2015	Howe	
7,854,534 B2	12/2010	Liu		D734,534 S	7/2015	Howe	
D632,419 S	2/2011	Ng		D735,391 S	7/2015	Blessitt	
D633,640 S	3/2011	Wauters		D735,401 S	7/2015	Clements	
D634,060 S	3/2011	Wardenburg		D736,450 S	8/2015	Reynolds	
D634,240 S	3/2011	Junkeer		D737,498 S	8/2015	Stanley	
D634,468 S	3/2011	Hargreaves		D739,595 S	9/2015	Reynolds	
D634,469 S	3/2011	Hargreaves		D740,486 S	10/2015	Reynolds	
D637,162 S	5/2011	Bridgman		D745,993 S	12/2015	Reynolds	
D637,341 S	5/2011	Wardenburg		D747,029 S	1/2016	Reynolds	
D637,752 S	5/2011	Mekhtarian		D747,538 S	1/2016	Reynolds	
D640,404 S	6/2011	Chipperfield		D747,825 S	1/2016	Reynolds	
7,959,331 B2	6/2011	Ho		D748,320 S *	1/2016	Johnson	D26/118
7,972,044 B2	7/2011	Burkhauser		D748,847 S *	2/2016	Johnson	D26/113
8,038,318 B2	10/2011	Plunk		D748,849 S	2/2016	Stanley	
D648,652 S	11/2011	Hawkins		D749,773 S	2/2016	Waible	
D649,685 S	11/2011	Trzesniowski		D750,312 S	2/2016	Reynolds	
D650,515 S	12/2011	Bradley		D750,313 S	2/2016	Reynolds	
D650,935 S	12/2011	Beghelli		D750,316 S	2/2016	Reynolds	
8,113,696 B2	2/2012	Striebel		9,255,690 B2	2/2016	Dimitriadis	
D655,403 S	3/2012	Zakula		D751,244 S	3/2016	Reynolds	
D661,370 S	6/2012	Imajo		D751,245 S	3/2016	Stanley	
8,209,912 B2	7/2012	Hargreaves		D751,247 S	3/2016	Reynolds	
D668,370 S	10/2012	Guercio		9,279,553 B1 *	3/2016	Scribante	F21S 8/026
D671,259 S	11/2012	Chen		D756,016 S	5/2016	Hargreaves	
D672,908 S	12/2012	Wilcox		D756,023 S	5/2016	Hoffer	
D675,369 S	1/2013	Michaud		D756,026 S	5/2016	Reynolds	
8,348,481 B2	1/2013	Chang		D757,323 S	5/2016	Reynolds	
D675,772 S	2/2013	Tran		D757,346 S	5/2016	Stanley	
8,371,726 B2 *	2/2013	Collins	F21V 7/0025 362/296.01	9,335,038 B2	5/2016	Stanley	
D678,597 S	3/2013	Lehman		D765,306 S *	8/2016	Wardenburg	D26/118
D678,599 S	3/2013	Boyer		9,451,743 B2	9/2016	Koerner	
D683,064 S	5/2013	Tuck		D773,107 S *	11/2016	Stanley	D26/118
D683,376 S	5/2013	Yokoi		D774,234 S	12/2016	Plourde	
8,505,224 B2	8/2013	Huang		9,551,482 B2 *	1/2017	Seward	F21V 17/18
D689,238 S	9/2013	Halsey		D780,986 S *	3/2017	Reynolds	D26/118
D693,959 S	11/2013	Boyer		D783,887 S	4/2017	Stanley	
D698,075 S	1/2014	Klus		D783,888 S *	4/2017	Reynolds	D26/118
D698,986 S	2/2014	Reynolds		D786,477 S	5/2017	Lauderdale	
D698,987 S	2/2014	Stanley		D786,488 S	5/2017	Reynolds	
D702,827 S	4/2014	Mase		D786,489 S	5/2017	Stanley	
8,702,283 B2	4/2014	Bradley, Jr.		D786,490 S	5/2017	Stanley	
D705,474 S	5/2014	Philips		D786,491 S *	5/2017	Reynolds	D26/118
D705,974 S	5/2014	Blessitt		D792,635 S	7/2017	Reynolds	
D707,385 S	6/2014	Wardenburg		D793,616 S	8/2017	Reynolds	
D708,390 S	7/2014	Roos		D796,727 S	9/2017	Reynolds	
D710,528 S	8/2014	Wardenburg		D796,728 S	9/2017	Reynolds	
8,801,235 B2	8/2014	Yurich		D797,350 S	9/2017	Reynolds	
D713,953 S	9/2014	Jepson		D797,353 S	9/2017	Stanley	
D714,988 S	10/2014	Park		9,750,199 B2	9/2017	Stanley	
D715,994 S	10/2014	Klus		9,752,766 B2	9/2017	Stanley	
D720,488 S	12/2014	Toyohisa		D802,826 S	11/2017	Stanley	
D720,505 S	12/2014	Kersten		D802,828 S	11/2017	Stanley	
8,905,575 B2	12/2014	Durkee		D802,829 S	11/2017	Reynolds	
D720,876 S	1/2015	Haverfield		D802,830 S	11/2017	Stanley	
D721,844 S	1/2015	Lay		2002/0073285 A1	6/2002	Butterworth	
D722,654 S	2/2015	Martone		2002/0141195 A1	10/2002	Wardenburg	
D725,820 S	3/2015	Hargreaves		2003/0031011 A1	2/2003	Miller	
D726,359 S	4/2015	Grigore		2003/0191783 A1	10/2003	Wolczko	
9,016,892 B1	4/2015	Scribante		2004/0240214 A1	12/2004	Whitlow	
9,016,907 B2	4/2015	Stanley		2005/0117333 A1	6/2005	Yoshida	
D728,848 S	5/2015	Reyes		2005/0160481 A1	7/2005	Todd	
D729,435 S	5/2015	Arndt		2005/0233691 A1	10/2005	Horton	
D730,556 S	5/2015	Toyohisa		2006/0231081 A1	10/2006	Kirakosyan	
D725,819 S	6/2015	Reynolds		2006/0232984 A1	10/2006	Schuknecht	
D731,103 S	6/2015	Wilke		2006/0282457 A1	12/2006	Williams	
D731,701 S	6/2015	Hargreaves		2007/0051321 A1	3/2007	Chang	
D732,233 S	6/2015	Reynolds		2007/0070633 A1	3/2007	Eynden	
				2007/0228993 A1	10/2007	Stuer	
				2007/0246631 A1	10/2007	Brown	
				2007/0282806 A1	12/2007	Hoffman	
				2008/0059799 A1	3/2008	Scarlata	
				2008/0117617 A1	5/2008	Hargreaves	

(56)

References Cited

U.S. PATENT DOCUMENTS

2008/0130304	A1	6/2008	Rash
2008/0205030	A1	8/2008	Hargreaves
2008/0205071	A1	8/2008	Townsley
2008/0212326	A1	9/2008	Chon
2008/0178957	A1	11/2008	Pickard
2008/0278950	A1	11/2008	Pickard
2009/0166250	A1	5/2009	Hargreaves
2009/0231840	A1	9/2009	Boehme
2009/0262540	A1	10/2009	Hargreaves
2009/0276478	A1	11/2009	Soman
2009/0310373	A1	12/2009	Burkhauser
2009/0316404	A1	12/2009	Mo
2009/0323335	A1	12/2009	Yang
2010/0214789	A1	8/2010	Hawkes
2010/0238661	A1	9/2010	Pfund
2010/0277908	A1	11/2010	Hu
2010/0277929	A1	11/2010	Hargreaves
2010/0295468	A1	11/2010	Pedersen
2010/0302768	A1	12/2010	Collins
2011/0169412	A1	7/2011	Yurich
2011/0203096	A1	8/2011	Hargreaves
2011/0259665	A1	10/2011	Morgan
2012/0051041	A1	3/2012	Edmond
2012/0092859	A1	4/2012	Gregoris
2012/0145699	A1	6/2012	McMahan
2012/0212883	A1	8/2012	Hargreaves
2012/0230035	A1	9/2012	Bradley, Jr.
2012/0302768	A1	11/2012	Janka et al.
2013/0083539	A1	1/2013	Dimitriadis
2013/0077329	A1	3/2013	Hessling
2013/0155685	A1	6/2013	Stanley
2013/0242573	A1	9/2013	Petrsocki
2013/0250567	A1	9/2013	Edmond
2014/0378283	A1	12/2014	Qiu
2015/0023022	A1	1/2015	Stanley
2015/0098215	A1	4/2015	Torabifard
2015/0252992	A1	9/2015	Stanley
2015/0252993	A1	9/2015	Stanley
2015/0252994	A1	9/2015	Stanley
2015/0260381	A1	9/2015	Verfuether
2017/0211801	A1	7/2017	Stanley

FOREIGN PATENT DOCUMENTS

EP	0325003	7/1989
EP	0440274	8/1991
WO	2002063210	8/2002
WO	2003060379	7/2003
WO	2008018000	2/2008
WO	2009096775	8/2009
WO	2011119451	9/2011

OTHER PUBLICATIONS

Apollo Horticulture GLRCTAC 6" Air Cool Tube Grow Light Deluxe Glass Cylinder with Hood Reflector, image post date Oct. 15, 2010, site visited Oct. 3, 2014, (online), <http://www.amazon.com/apollo-horticulture-glrectac-cylinder-reflector/dp/b003qkvv04/ref=pd_sbs_lg_5?ie=utf8&refrid=1y9v9qhh4n5vncjtmfr>.

Apollo Horticulture GLRLS24 6" Air Cooled Hydroponic Grow Light Glass Reflector Hood, image post date Oct. 15, 2010, site visited Oct. 3, 2014, (online), <http://www.amazon.com/apollo-horticulture-GLRLS24-hydroponic-reflector/dp/B00BMVK8HG/ref=cm_cd_qh_dp_i>.

Adjustable Reflector, image post date Apr. 23, 2012, site visited Sep. 23, 2015, http://web.archive.org/web/2012043260757/http://hydroponics-products.en.alibaba.com/product/519225678-213056444/adjustable_reflector_grow_light_hydroponics_greenhouse_horticulture_reflector_hood.html.

Agrotech Magnum Reflector, image post date Feb. 5, 2012, site visited Oct. 31, 2014, www.hydroponics.net/i/136580.

Cree CR22, image post date Apr. 28, 2011, site visited Nov. 15, 2014, <http://ledsmagazine.com/content/dam/leds/migrated/objects/news/8/4/19/cree204272011.jpg>.

ZR series High Efficacy Troffer, image post date Apr. 13, 2012, site visited Oct. 31, 2014, www.cree.com/lighting/products.

Grow Lights Home Depot: Find many types of grow lights for your plant, published Dec. 22, 2012, online. Site visited Jun. 25, 2014. [Http://besthomedecor.com/gardening-d%C3%A9cor/grow-lights-home-depot-few-things-to-consider-when-buying-grow-lighting-plants-online.html](http://besthomedecor.com/gardening-d%C3%A9cor/grow-lights-home-depot-few-things-to-consider-when-buying-grow-lighting-plants-online.html).

LED Grow Light Comparison Test Review, Youtube.com, published Jun. 29, 2012, online. Site visited Jun. 25, 2014. www.youtube.com/watch?v=f-8oy0qbg.

Illuminator Pro-Series Hybrid 350W, wordpress.com, published Dec. 22, 2010, online, site visited Jun. 25, 2014. <http://growsetup.wordpress.com/category/grow-lights/>.

California Lightworks NEW SolarStorm 440W LED Grow Light with UVB, hydrobuilder.com, online. Site visited Jun. 25, 2014. http://hydrobuilder.com/solarstorm-440w-led-grow-light-with-uvb.html?dzid=strands_CLW-SS-440.

2013 Sunlight Supply Cataog, Issuu.com, published Aug. 1, 2013, online. Site visited Feb. 2, 2015. http://issuu.com/sunlightsupply/docs/2013_sunlightproductcatalog/49.

Pp. 29 and 54 from 2014-2015 dealer catalog showing and describing Super Sun DE reflector published by Sunlight Supply, Inc. 2014. Dominator XXXL Non AC Reflector pack of 3 Spec Sheet, GreenTreesHydroponics.com, date available Mar. 12, 2014, online. Site visited Feb. 3, 2015, <https://www.hydroponics.net/i/141477>.

Low Rider Air-Cooled Reflector—TinEye, image post date Oct. 11, 2012, site visited Oct. 1, 2015, www.tineye.com/search/1b0e187c5ed9e4e9cfb55d0472271385a2c0e88/?pluginver.

OG Air Cooled Parabolic Reflector Only—Make the Most of Your Grow Light, GroWell Hydroponics, <http://www.growell.co.uk/og-air-cooled-parabolic-reflector-only.html>, pp. 1-2, accessed Aug. 26, 2014.

Air Resistance: Distinguishing Between Laminar and Turbulent Flow, www.docstoc.com, Dec. 29, 2010, p. 1-6.

Sun Systems LEC 630 Light Emitting Ceramic Fixture, Spec Sheet for 906217—Sun System LEC 630 120 Volt w/3100 K Lamps, www.sunlightsupply.com/shop/bycategory/led-lighting/sun-system-lec-630-light-emitting-ceramic-fixture, online, updated Feb. 9, 2015. Site visited Mar. 30, 2015, p. 1.

Mohri, Mineko, International Preliminary Report on Patentability for PCT/US2014/014959, Jan. 19, 2016.

A3V Reflector, Titaness Light Shop, www.titanesslightshop.com/products-page/reflectors/a3v-reflector, online. Site visited Jan. 14, 2015.

G2V Grow Light Reflector, Titaness Light Shop, www.titanesslightshop.com/products-page/reflectors/g2v-grow-light-reflector, online. Site visited Jan. 14, 2015.

1000 Wall Galaxy Grow Amp Double Ended Grow Light Packages, image post date Jan. 30, 2014, site visited Jul. 8, 2016, <<http://www.ehydroponics.com/100-watt-galaxy-grow-amp-double-ended-grow-light-package.html>>.

2009-10-watt-light-set—TinEye, image post date May 23, 2012, site visited Jul. 8, 2016, <<https://www.tineye.com/search/2de39cf51f7a031139a80ce555e2f30d0abd5216/>>.

Square 10 Watt LED Grow Light, image post date Aug. 1, 2011, site visited Jul. 18, 2016, <<http://www.dhgate.com/store/product/hydroponic-vegetable-10-watt-led-grow-light/216755031.html>>.

Sun System 630 Ceramic Metal Halide 120v Specifications, GrowersHouse.com, update on Sep. 9, 2014, Online. Site visited Feb. 3, 2015. <http://growershouse.com/aitdownloadablefiles/download/aitfile/aitfile_id/583/>.

Growlite HDE 600W-1000W Double Ended Lamp Concealed Vacuum Airflow Technology, Indoor Grow Science, site visited Aug. 3, 2016, <<http://www.indoorgrowscience.net/downloads/specs/hde.pdf>>.

Sun Systems LEC 315—Reviews?, rollitup.com forum, published Oct. 23, 2013, online. Visited Nov. 8, 2016. <<http://rollitup.org/t/sun-systems-lec-315-reviews.742794>>.

(56)

References Cited

OTHER PUBLICATIONS

Sun System LEC 315 120v Light Emitting Ceramic Metal Halide Fixture w/ Free Ratchet Light Hangers, Amazon.com, earliest review of Jul. 2, 2014, online. Visited Nov. 8, 2016 | <<https://www.amazon.com/sun-system-emitting-ceramic-fixture/dp/B00HBCV8TM>>.

LEC 315 Watt Grow Light Great Yield Reports!, YouTube.com, published Mar. 31, 2014, online. Visited Nov. 8, 2016. <<https://www.youtube.com/watch?v=QqcoW19KnUk>>.

Air Cooled Grow Lights, greensteamhydroponics.com, published May 24, 2014, online. Site visited Nov. 16, 2016. <http://web.archive.org/web/20140524103407/http://www.greenstreamhydroponics.com/aircooled-reflector-range-from-greenstream-hydroponics/prod_699.html>.

iPower 600 wat HPS MH Grow Light Digital Dimm System Indoor Garden Set, image post date 2013, site visited Jul. 13, 2017, (online), <https://bidjapon.com/item_View.aspx?itemId=150928769289>.

* cited by examiner

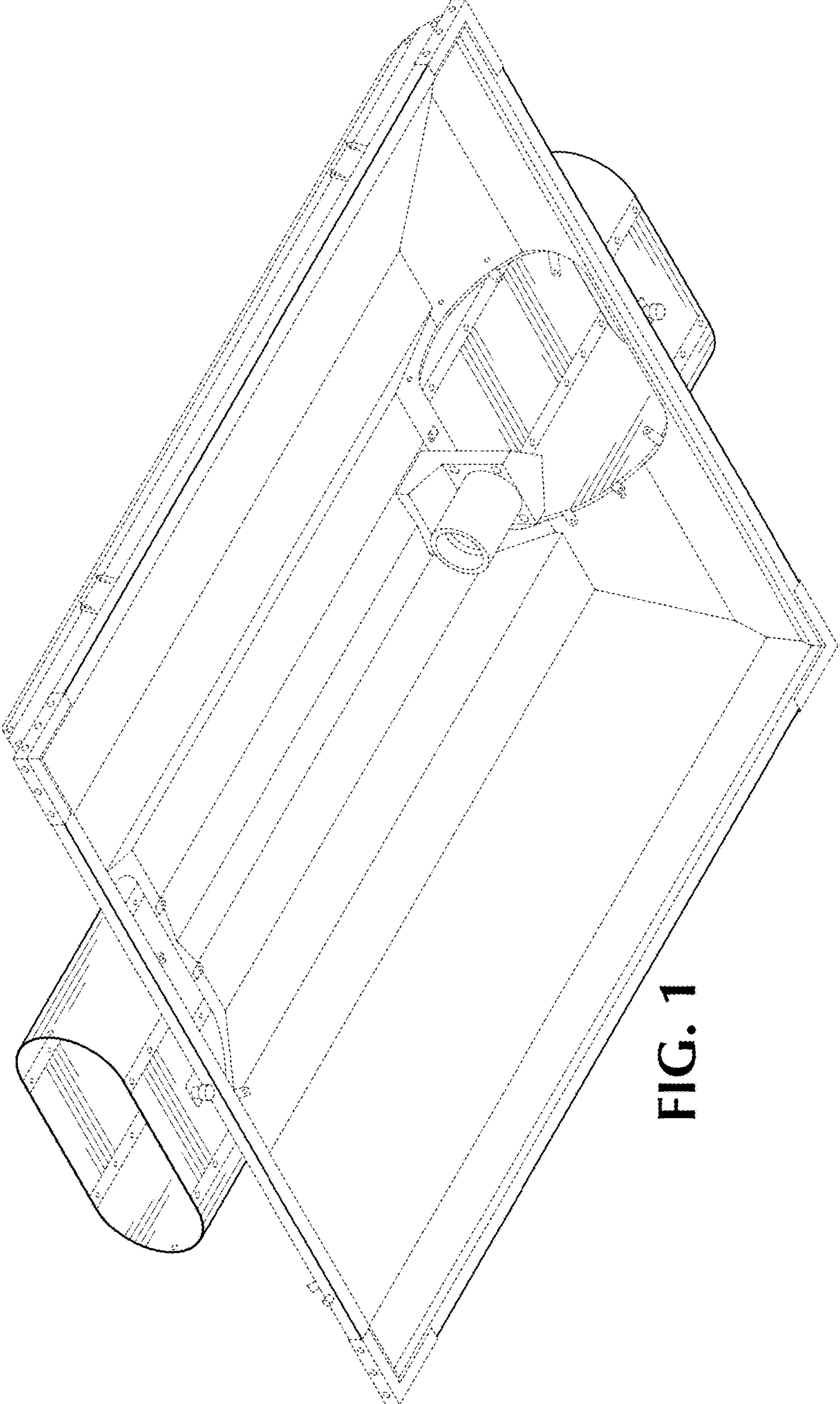


FIG. 1

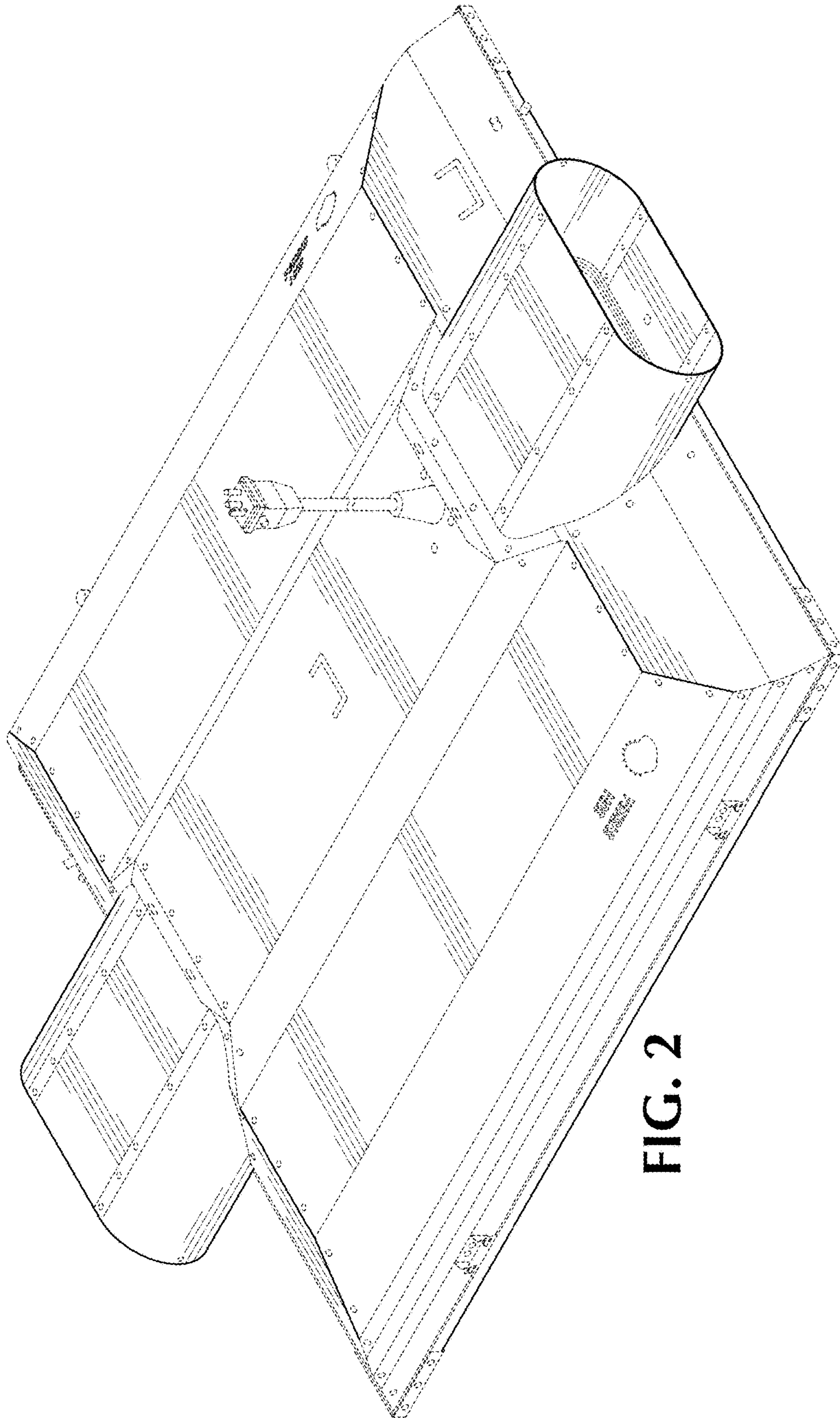


FIG. 2

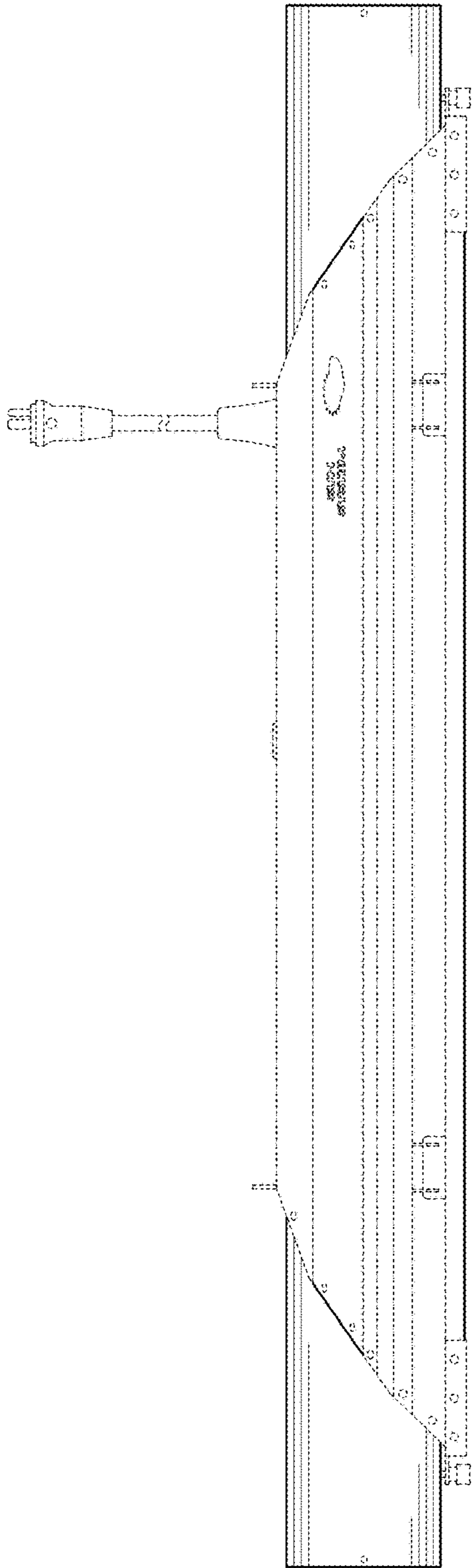


FIG. 3

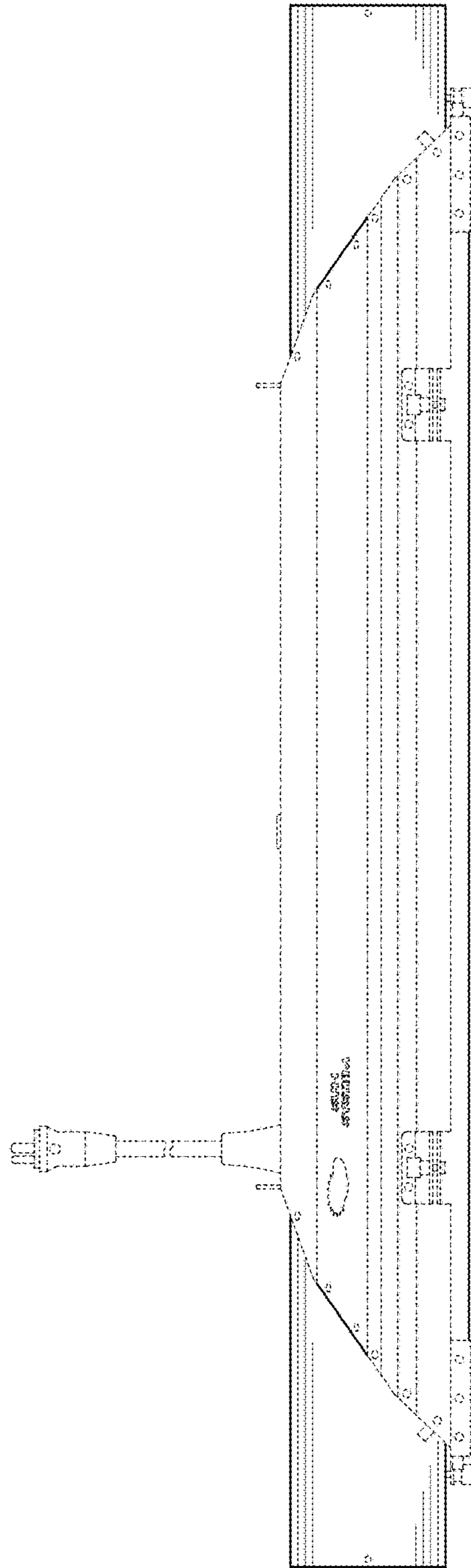


FIG. 4

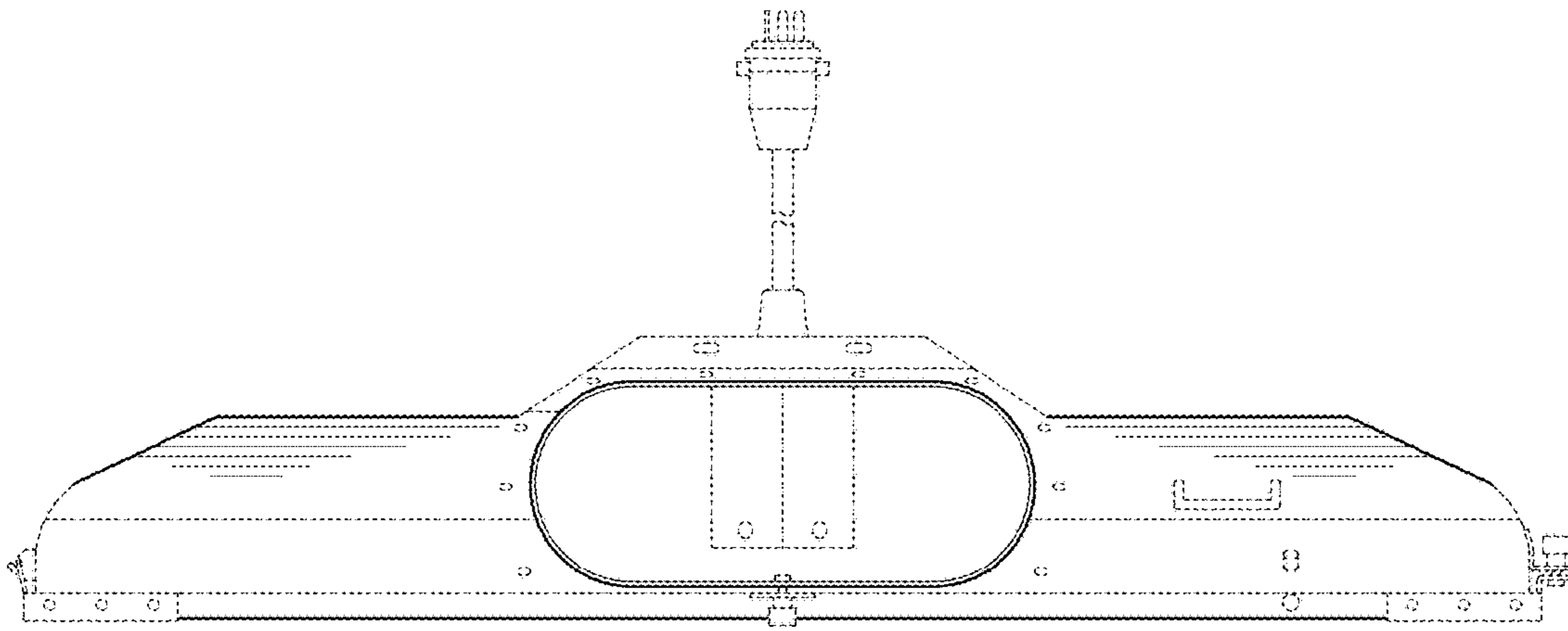


FIG. 5

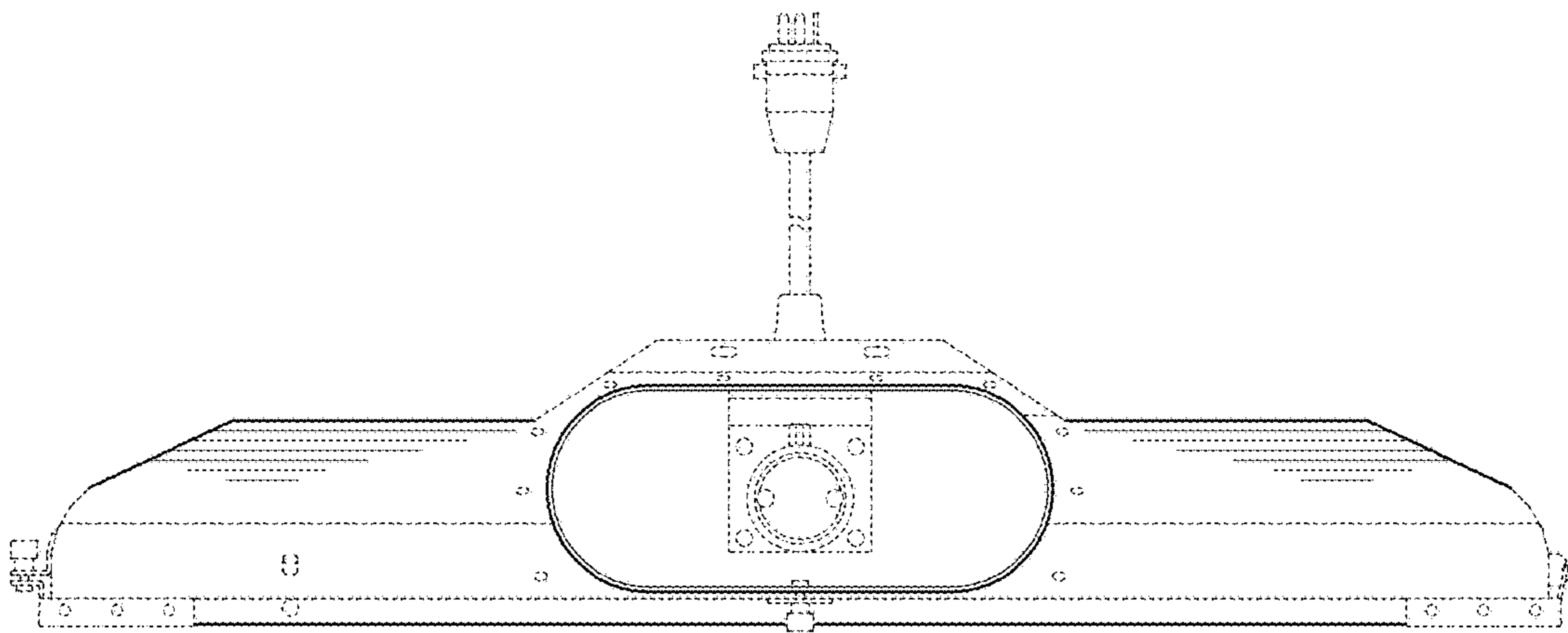
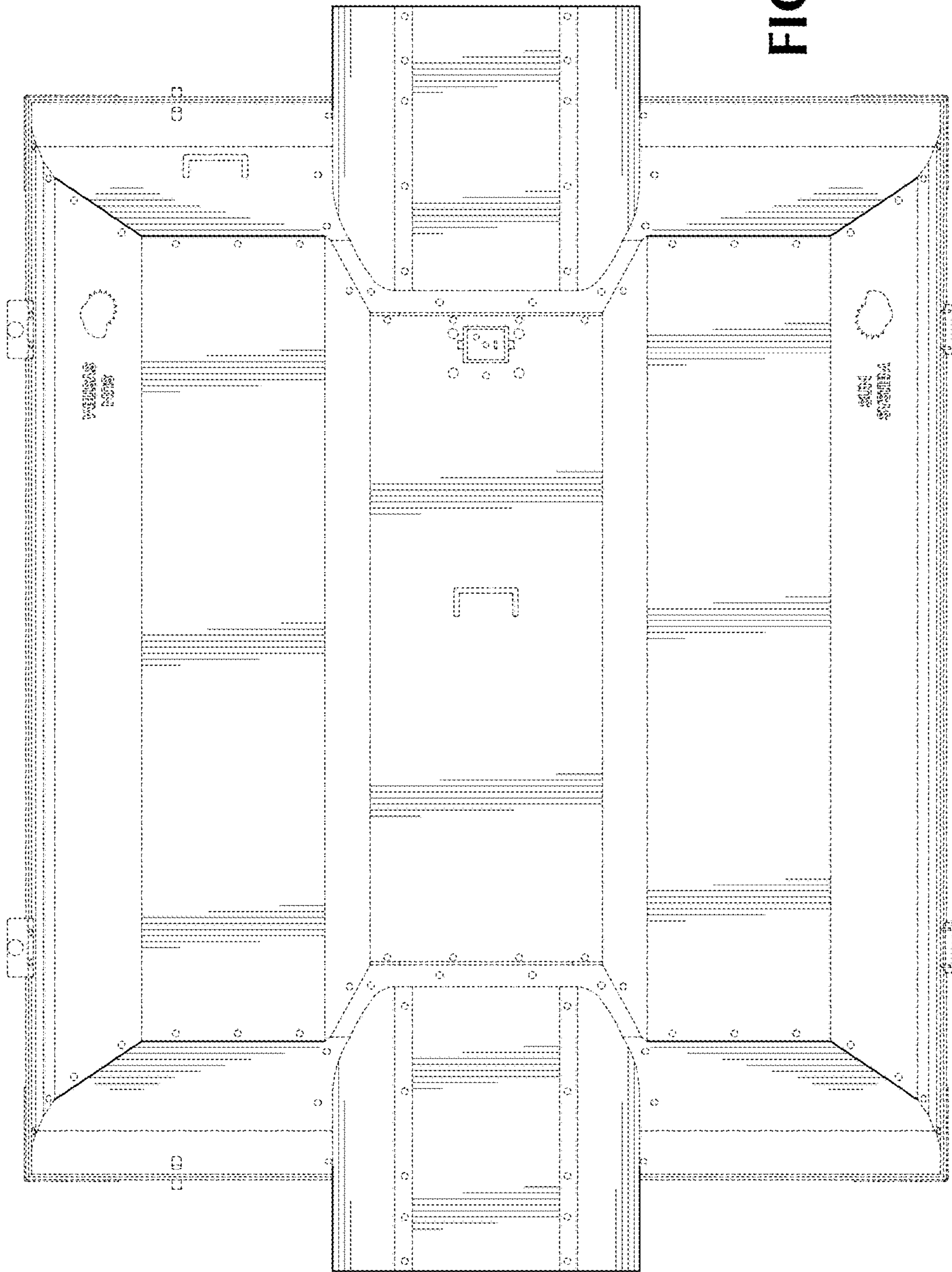


FIG. 6



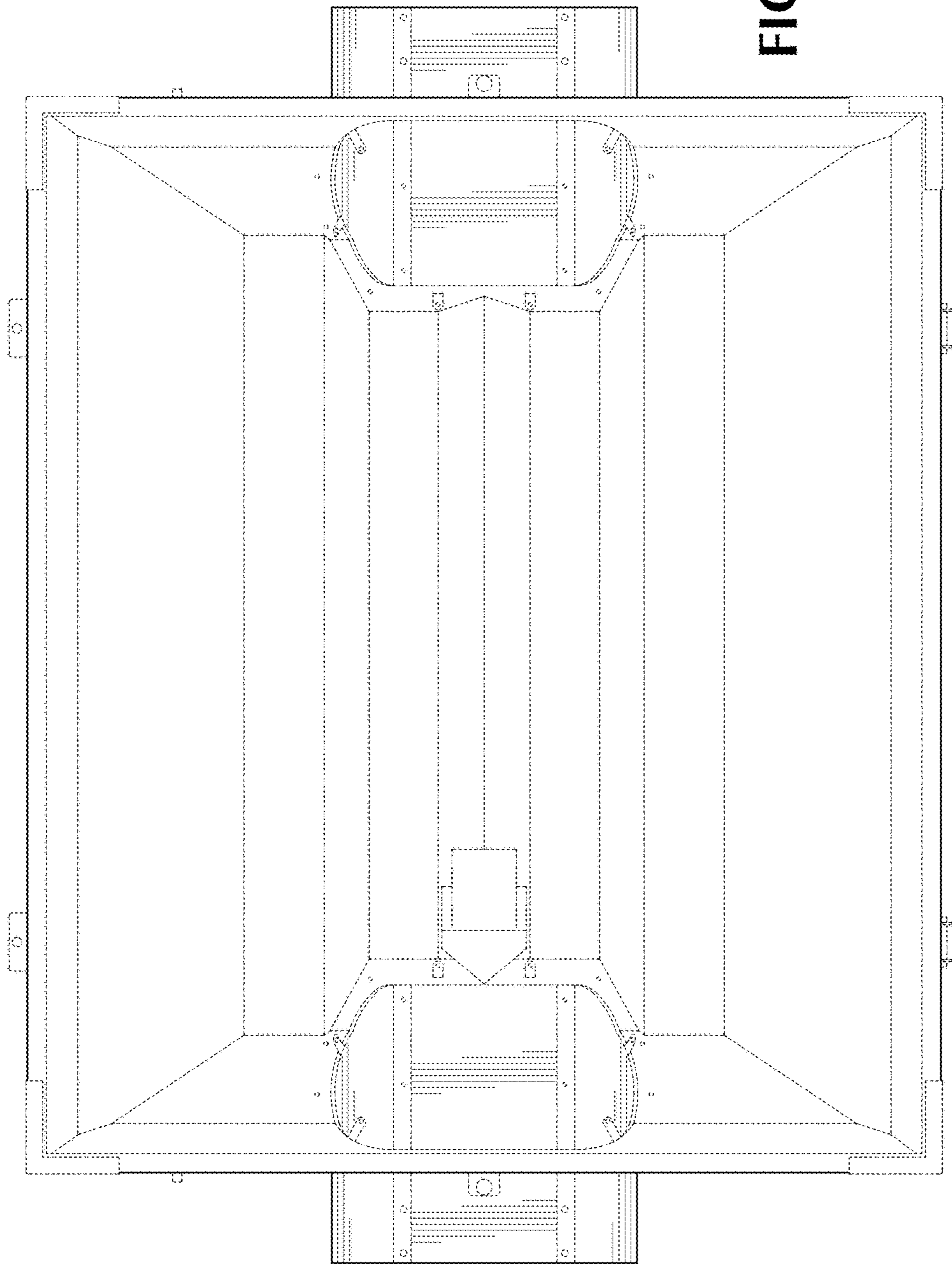


FIG. 8