



US00D811646S

(12) **United States Design Patent** (10) **Patent No.:** **US D811,646 S**  
**Clark et al.** (45) **Date of Patent:** **\*\* Feb. 27, 2018**

(54) **LIGHTING FIXTURE** 7,766,513 B2 \* 8/2010 Zhang ..... F21K 9/00  
362/249.02  
(71) Applicant: **Hubbell Incorporated**, Shelton, CT D653,377 S 1/2012 Guercio  
(US) D668,370 S \* 10/2012 Guercio ..... D26/71  
D670,422 S 11/2012 Siekmann  
(72) Inventors: **Adam J. Clark**, Bradenton, FL (US); D672,903 S 12/2012 Toney  
**Perry Romano**, Bradenton, FL (US); D676,173 S 2/2013 Akinrele  
**Armin Ahrari**, Chino, CA (US); D678,099 S \* 3/2013 Lee ..... D10/113.1  
**Michael D. Toth**, Miami Beach, FL (US)  
(Continued)

FOREIGN PATENT DOCUMENTS

(73) Assignee: **HUBBELL INCORPORATED**, EP 2327930 6/2011  
Shelton, CT (US)

OTHER PUBLICATIONS

(\*\*) Term: **15 Years**  
(21) Appl. No.: **29/562,088**  
(22) Filed: **Apr. 22, 2016**  
“Klus Earns ETL Certification for Surface Mount LED Fixtures.”  
May 20, 2015, klusdesign.com, site visited Apr. 18, 2017 <http://  
www.klusdesign.com/blog/klus-earns-etl-certification-for-surface-  
mount-led-fixtures/>.\*  
(Continued)

(51) **LOC (11) Cl.** ..... **26-05**  
(52) **U.S. Cl.**  
USPC ..... **D26/118**  
(58) **Field of Classification Search**  
USPC ..... D26/20, 27, 30, 31, 32, 25, 35, 36, 42,  
D26/46, 55, 69, 70, 71, 76, 72, 85, 113,  
D26/78, 80, 101, 110, 109, 118–120, 123,  
D26/124, 127, 133, 134, 139;  
D10/111–113, 115, 113.1  
CPC ... F21K 9/00; F21S 8/086; F21S 8/033; F21S  
8/00; F21V 29/74; F21V 29/83; F21V  
29/76; G02B 5/0257  
See application file for complete search history.

*Primary Examiner* — Kevin K Rudzinski  
*Assistant Examiner* — Paul D Bohannon  
(74) *Attorney, Agent, or Firm* — Dority & Manning, P.A.

(57) **CLAIM**

The ornamental design for a lighting fixture, as shown and described.

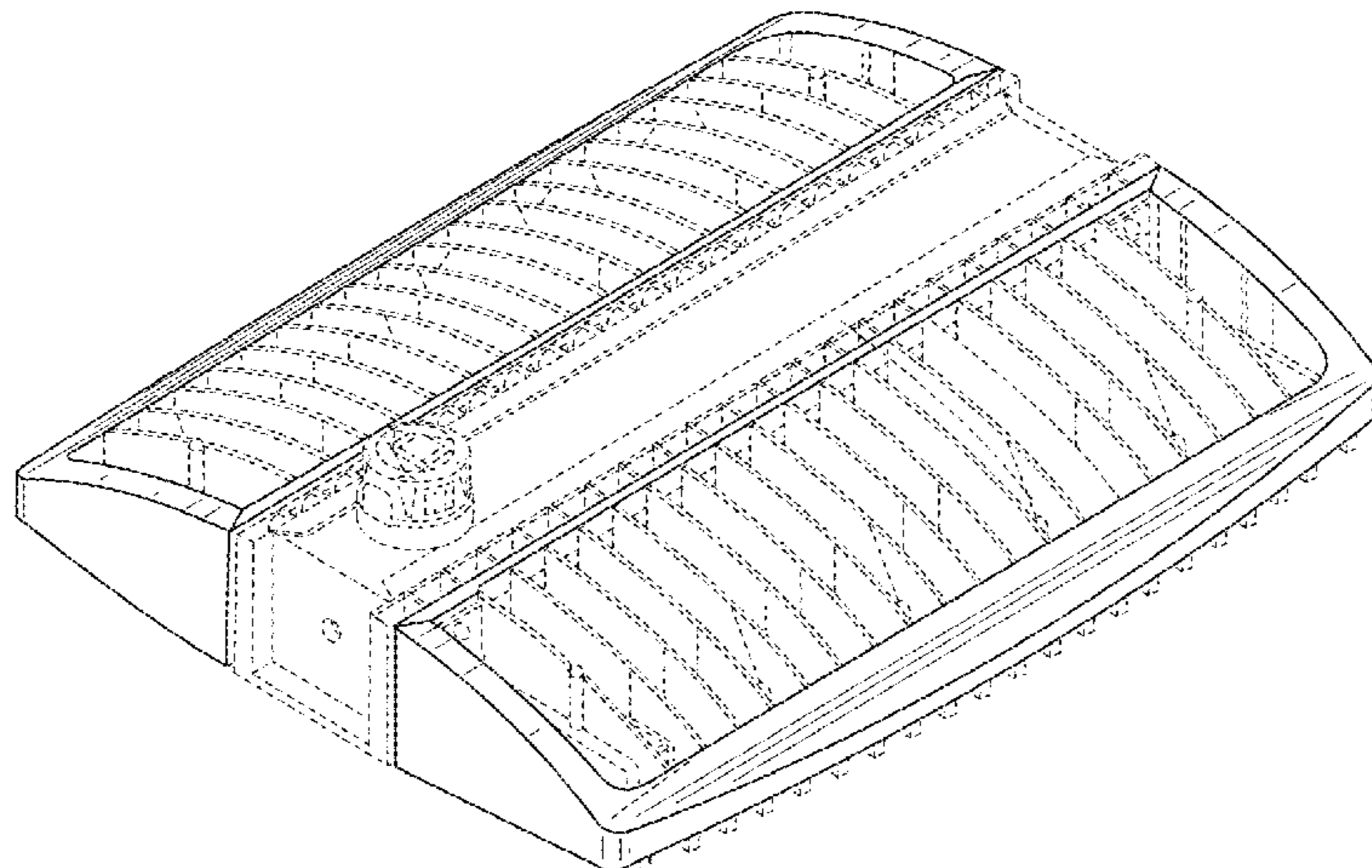
**DESCRIPTION**

FIG. 1 is a perspective view of a lighting fixture;  
FIG. 2 is a top view of a lighting fixture;  
FIG. 3 is a bottom view of a lighting fixture;  
FIG. 4 is a side elevation view of a lighting fixture;  
FIG. 5 is a side elevation view of a lighting fixture;  
FIG. 6 is a side elevation view of a lighting fixture; and,  
FIG. 7 is a side elevation view of a lighting fixture.  
The broken line showing of portions of the lighting fixture  
is included for illustrating environmental aspects only and  
form no part of the claimed design.

(56) **References Cited**  
U.S. PATENT DOCUMENTS

D535,431 S \* 1/2007 Roland ..... D26/118  
D544,985 S \* 6/2007 Hargreaves ..... D26/76  
D577,146 S 9/2008 Haugaard  
D584,444 S 1/2009 Lipson  
D610,296 S 2/2010 Boissevain  
D615,233 S 5/2010 Josefowicz  
7,726,851 B2 \* 6/2010 Shuai ..... F21K 9/00  
362/218

**1 Claim, 5 Drawing Sheets**



(56)

References Cited

U.S. PATENT DOCUMENTS

8,430,532 B2 4/2013 Lee  
 8,529,085 B2 9/2013 Josefowicz  
 D691,320 S \* 10/2013 Guercio ..... D26/118  
 D721,844 S 1/2015 Lay  
 9,028,096 B2 5/2015 Verdes  
 D735,401 S \* 7/2015 Clements ..... D26/120  
 D742,270 S 11/2015 Stein  
 D743,081 S \* 11/2015 Bembridge ..... D26/71  
 D743,084 S 11/2015 Lay  
 D748,319 S \* 1/2016 Johnson ..... D26/118  
 D748,320 S \* 1/2016 Johnson ..... D26/118  
 D748,847 S \* 2/2016 Johnson ..... D26/113  
 D748,850 S \* 2/2016 Johnson ..... D26/118  
 D750,831 S \* 3/2016 Clements ..... D26/120  
 D752,800 S \* 3/2016 Yu ..... D26/85  
 D753,863 S \* 4/2016 Bembridge ..... D26/71  
 D771,854 S 11/2016 Gordin  
 D774,681 S \* 12/2016 Liang ..... D26/72  
 D781,482 S 3/2017 McCracken, Jr.  
 D783,436 S 4/2017 Goltche  
 D783,881 S 4/2017 Hollander  
 D784,586 S 4/2017 Gebhard  
 D788,966 S 6/2017 Gan

2011/0194281 A1\* 8/2011 Josefowicz ..... F21S 8/086  
 362/235  
 2014/0247590 A1\* 9/2014 Wilcox ..... F21V 29/74  
 362/231  
 2015/0167936 A1\* 6/2015 Yong ..... F21V 29/83  
 362/190  
 2015/0276167 A1\* 10/2015 Torabifard ..... G02B 5/0257  
 362/231  
 2015/0292723 A1\* 10/2015 Yu ..... F21V 29/76  
 362/147  
 2015/0308667 A1\* 10/2015 Corkill ..... F21S 8/033  
 362/147  
 2016/0186980 A1\* 6/2016 Ladewig ..... F21S 2/00  
 362/234  
 2016/0208998 A1 7/2016 Greinke

OTHER PUBLICATIONS

“14K Low Bay Light” Dec. 3, 2014, Abel Building Solutions, site visited Apr. 18, 2017 <<https://www.abel.co.tt/product/14k-low-bay-light/>>.\*  
 SG Sling (available online) Retrieved from the internet Jul. 17, 2017, retrieved from the internet URL: [http://www.hubbelloutdoor.com/products/sg\\_sling](http://www.hubbelloutdoor.com/products/sg_sling).

\* cited by examiner

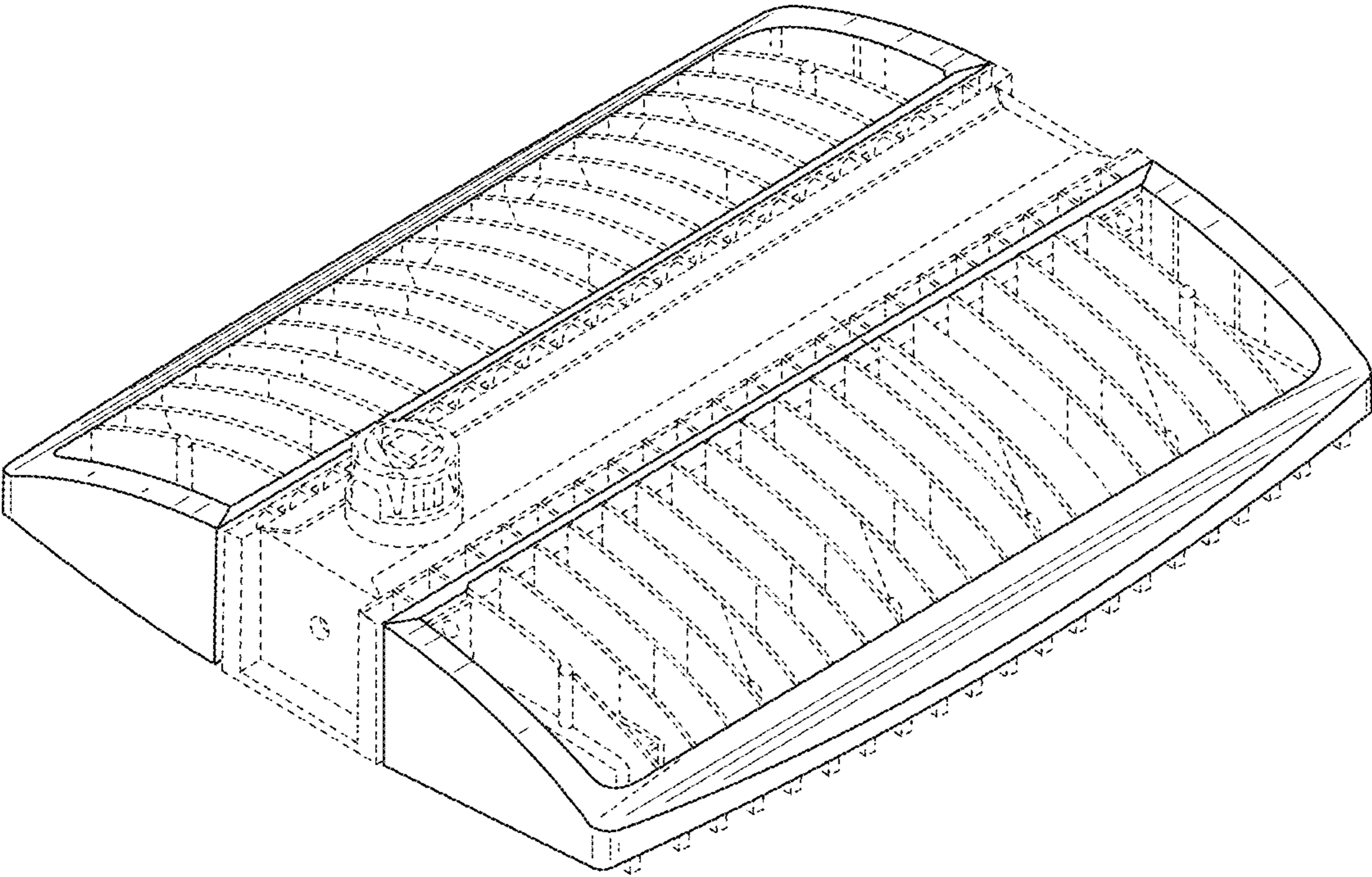


FIG. 1

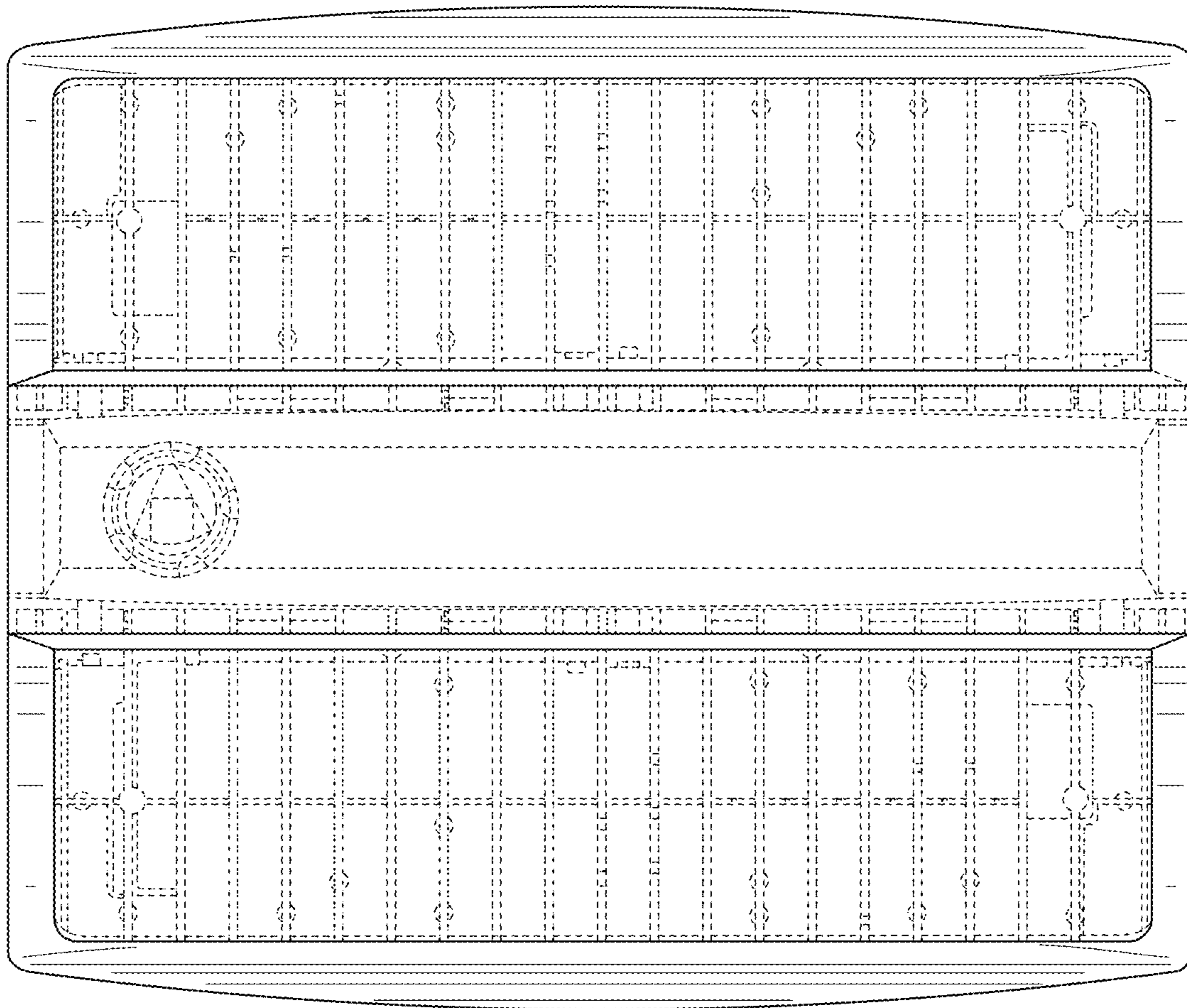


FIG. 2

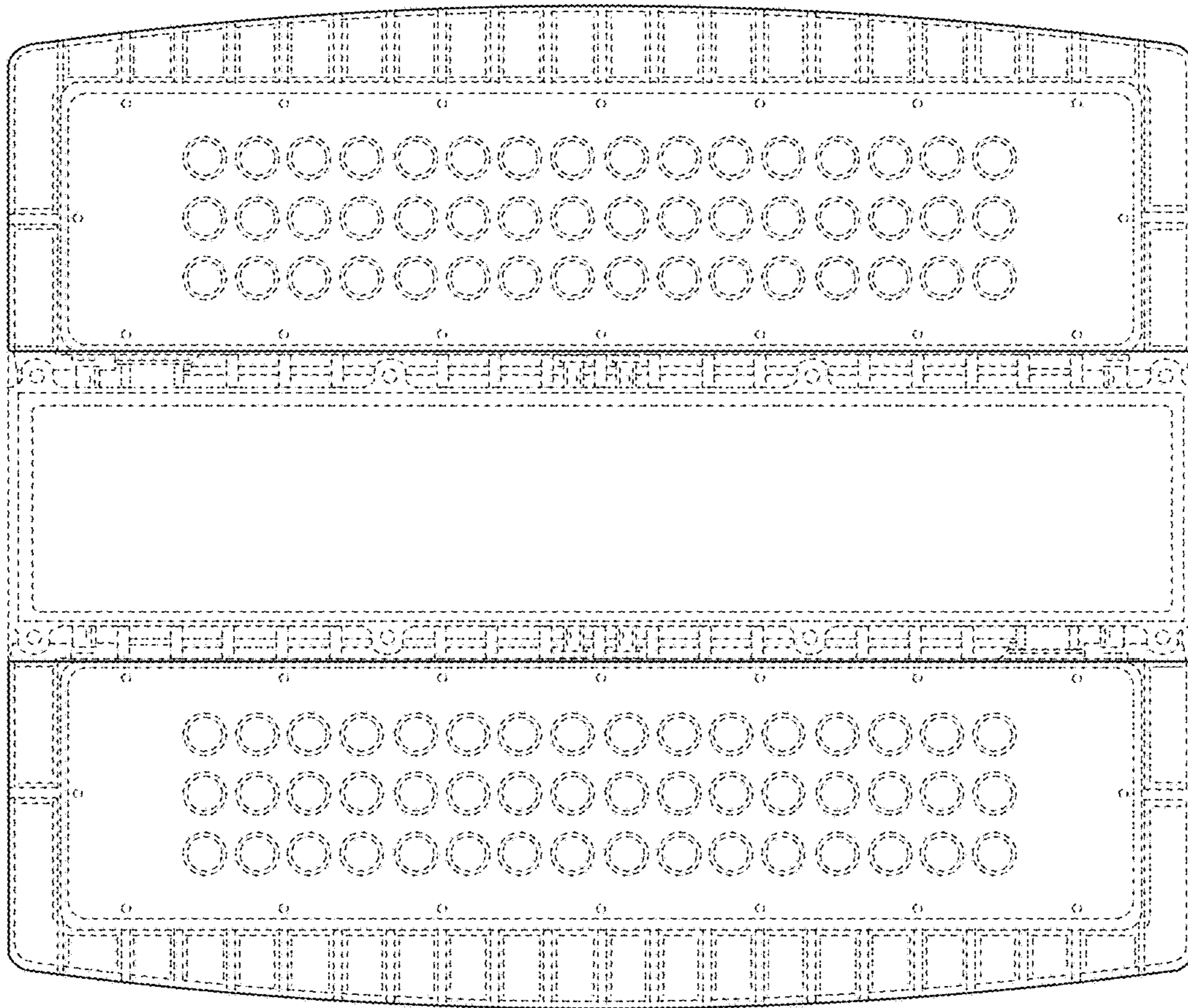


FIG. 3

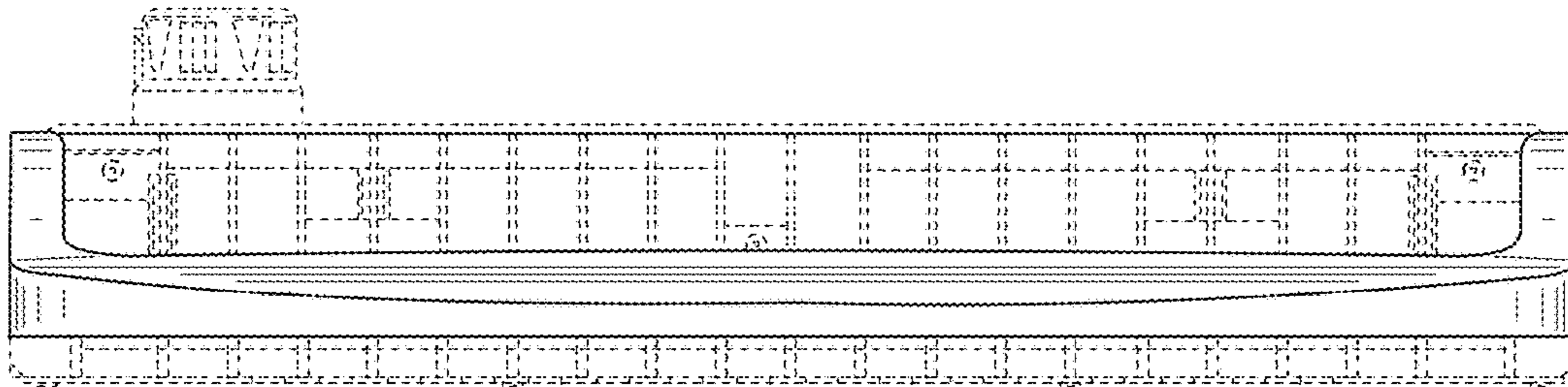


FIG. 4

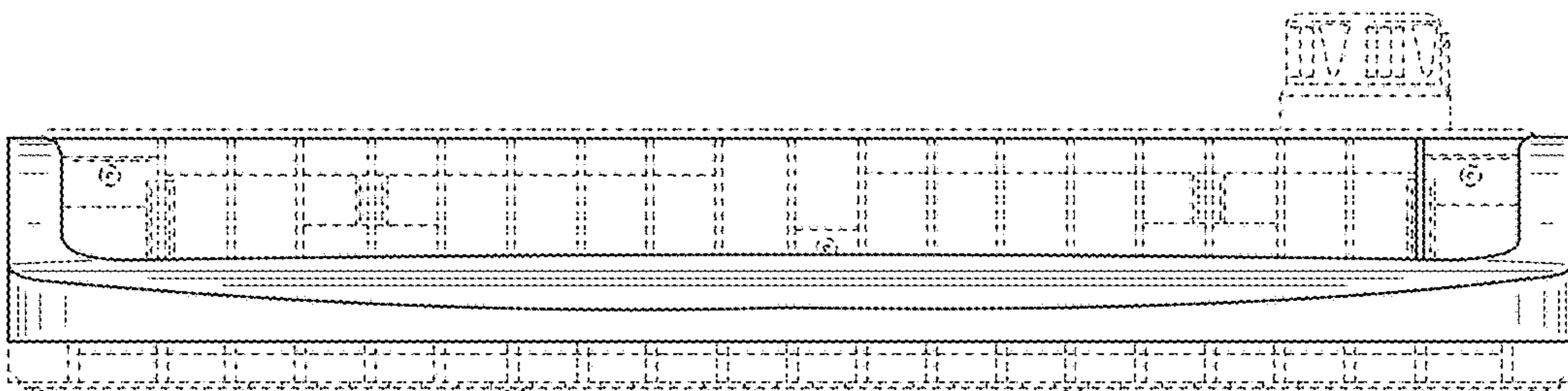


FIG. 5

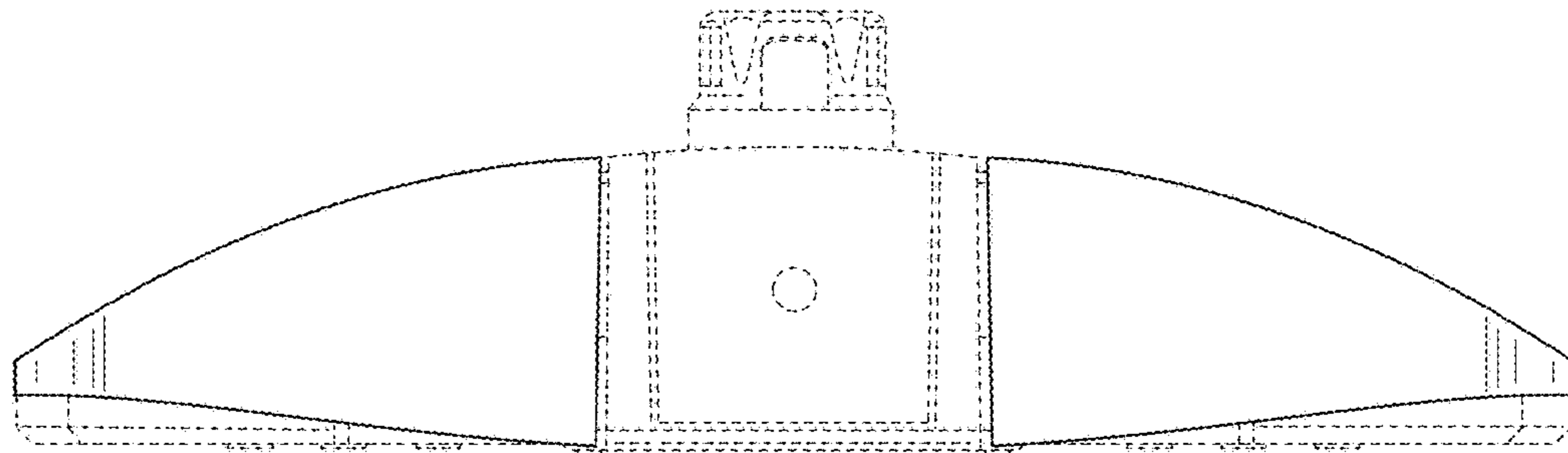


FIG. 6

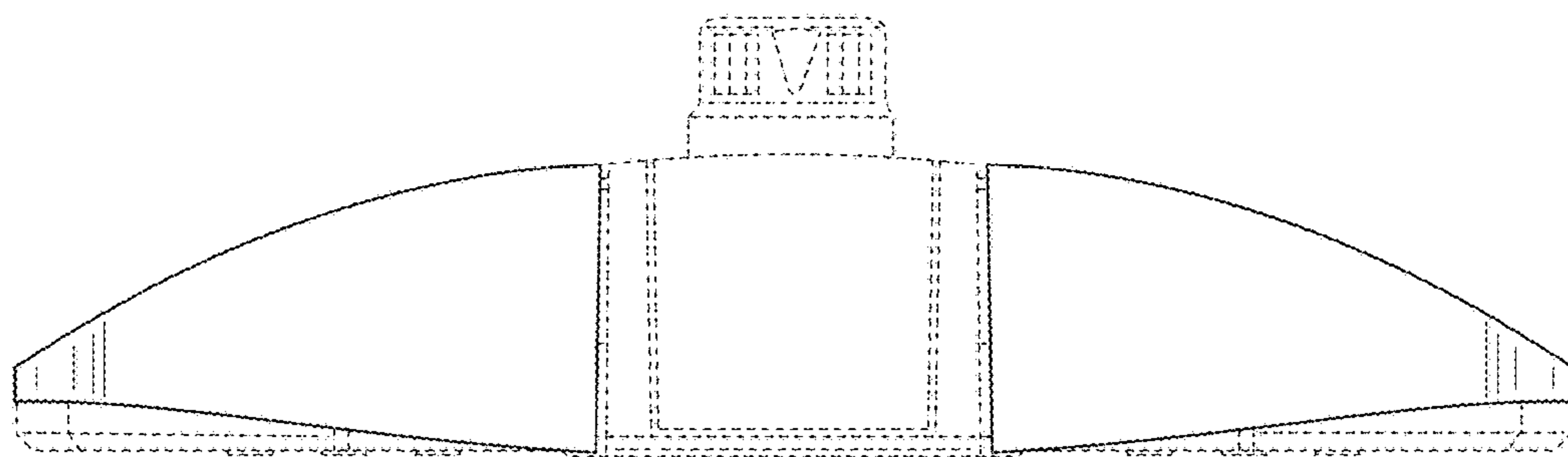


FIG. 7