



US00D811645S

(12) **United States Design Patent** (10) **Patent No.:** **US D811,645 S**  
**Kim** (45) **Date of Patent:** **\*\* Feb. 27, 2018**

(54) **LAMP**

(71) Applicant: **PRISM CO., LTD.**, Bucheon-si,  
Gyeonggi-do (KR)

(72) Inventor: **Suk Ho Kim**, Seoul (KR)

(73) Assignee: **Prism Co., Ltd.**, Bucheon-si (KR)

(\*\*) Term: **15 Years**

(21) Appl. No.: **29/576,999**

(22) Filed: **Sep. 8, 2016**

(51) **LOC (11) Cl.** ..... **26-03**

(52) **U.S. Cl.**  
USPC ..... **D26/107**

(58) **Field of Classification Search**  
USPC ..... D26/1, 24, 60, 61, 63, 65, 85, 92, 93,  
D26/104, 106, 107  
CPC ..... F21V 21/14; F21V 15/01; F21V 14/02;  
F21V 21/30; F21V 21/00; F21V 14/00;  
F21V 21/088; F21S 8/00; F21S 8/003;  
F21S 8/043; F21Y 2105/001; G03B  
15/02; F21L 4/04  
See application file for complete search history.

D600,385 S \* 9/2009 Lippert ..... D26/62  
D617,933 S \* 6/2010 Ng ..... D26/65  
D641,902 S \* 7/2011 Chan ..... D26/60  
D690,047 S \* 9/2013 Ng ..... D26/65  
D716,987 S \* 11/2014 Waldmann ..... D26/65  
D790,751 S \* 6/2017 Kaiser ..... D26/107

**FOREIGN PATENT DOCUMENTS**

KR	30-0741028	4/2014
KR	30-0790211	4/2015
KR	30-0817012	9/2015
KR	30-0823847	11/2015
KR	30-0825342	11/2015
KR	30-0834581	1/2016

\* cited by examiner

*Primary Examiner* — Brian N. Vinson

(74) *Attorney, Agent, or Firm* — Lewis Roca Rothgerber  
Christie LLP

(57) **CLAIM**

The ornamental design for lamp, as shown and described.

**DESCRIPTION**

FIG. 1 is a perspective view of a lamp.  
FIG. 2 is front view thereof;  
FIG. 3 is a rear view thereof;  
FIG. 4 is a right side view thereof, the left side being a mirror  
image;  
FIG. 5 is a top view thereof; and,  
FIG. 6 is a bottom view thereof.  
The broken lines shown in the drawings illustrate portions of  
the lamp that form no part of the claimed design.

**1 Claim, 6 Drawing Sheets**

(56) **References Cited**

U.S. PATENT DOCUMENTS

D147,900 S *	11/1947	Fanelli	.....	D26/63
D424,735 S *	5/2000	Newhouse	.....	D26/107
D581,080 S *	11/2008	Mier-Langner	.....	D26/63
7,481,554 B2 *	1/2009	Anderson	.....	F21L 4/04 362/183

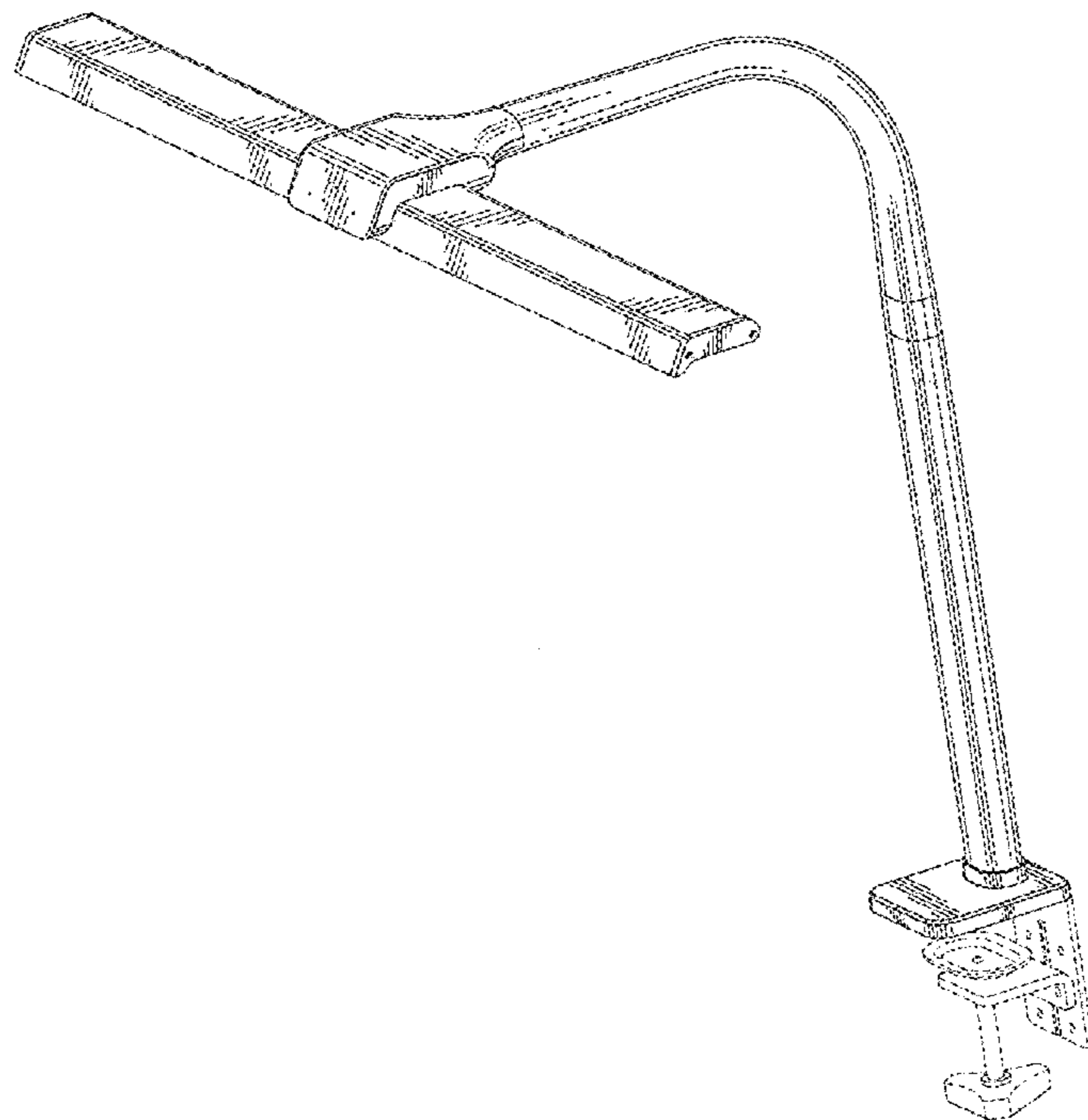
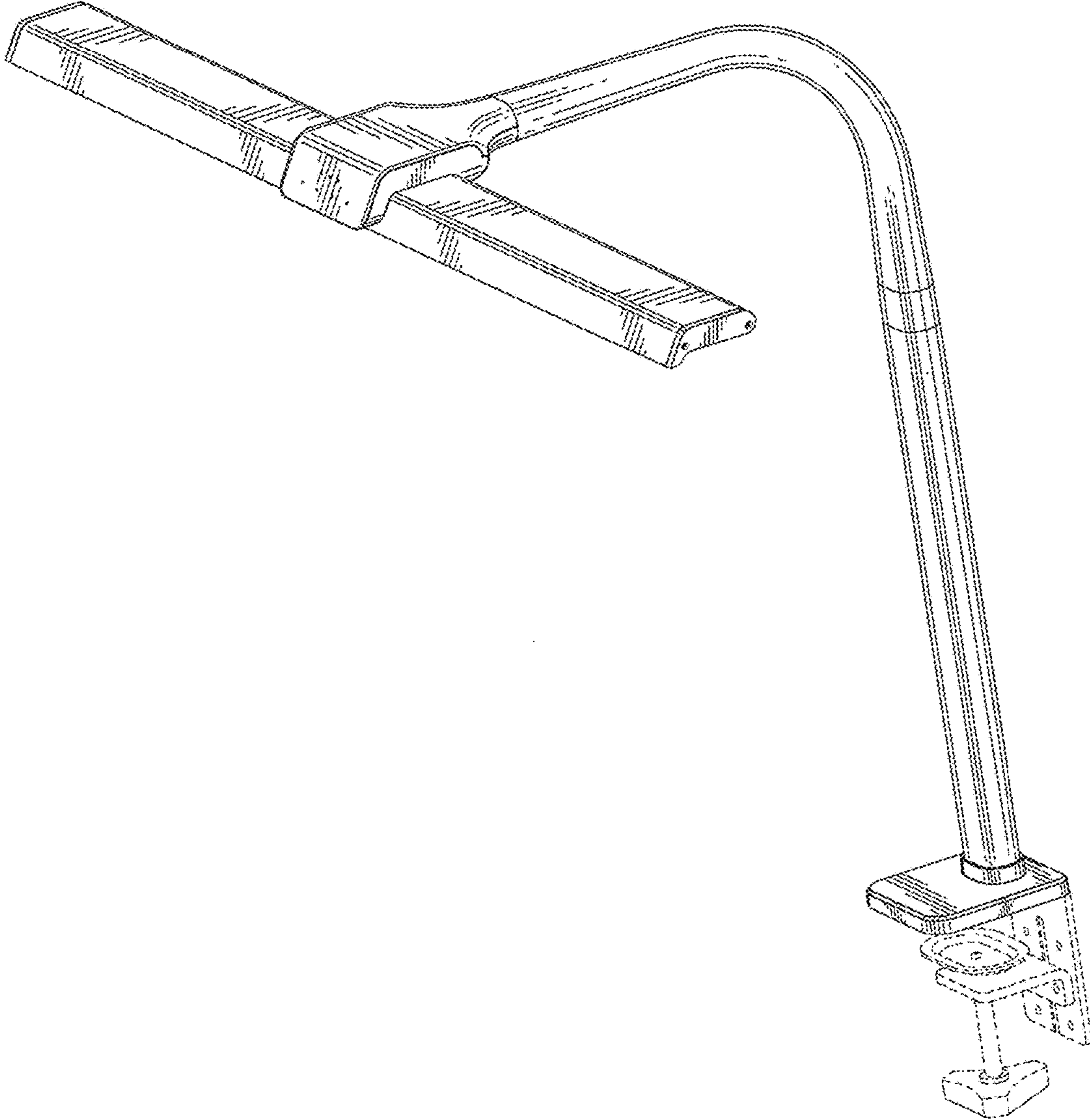
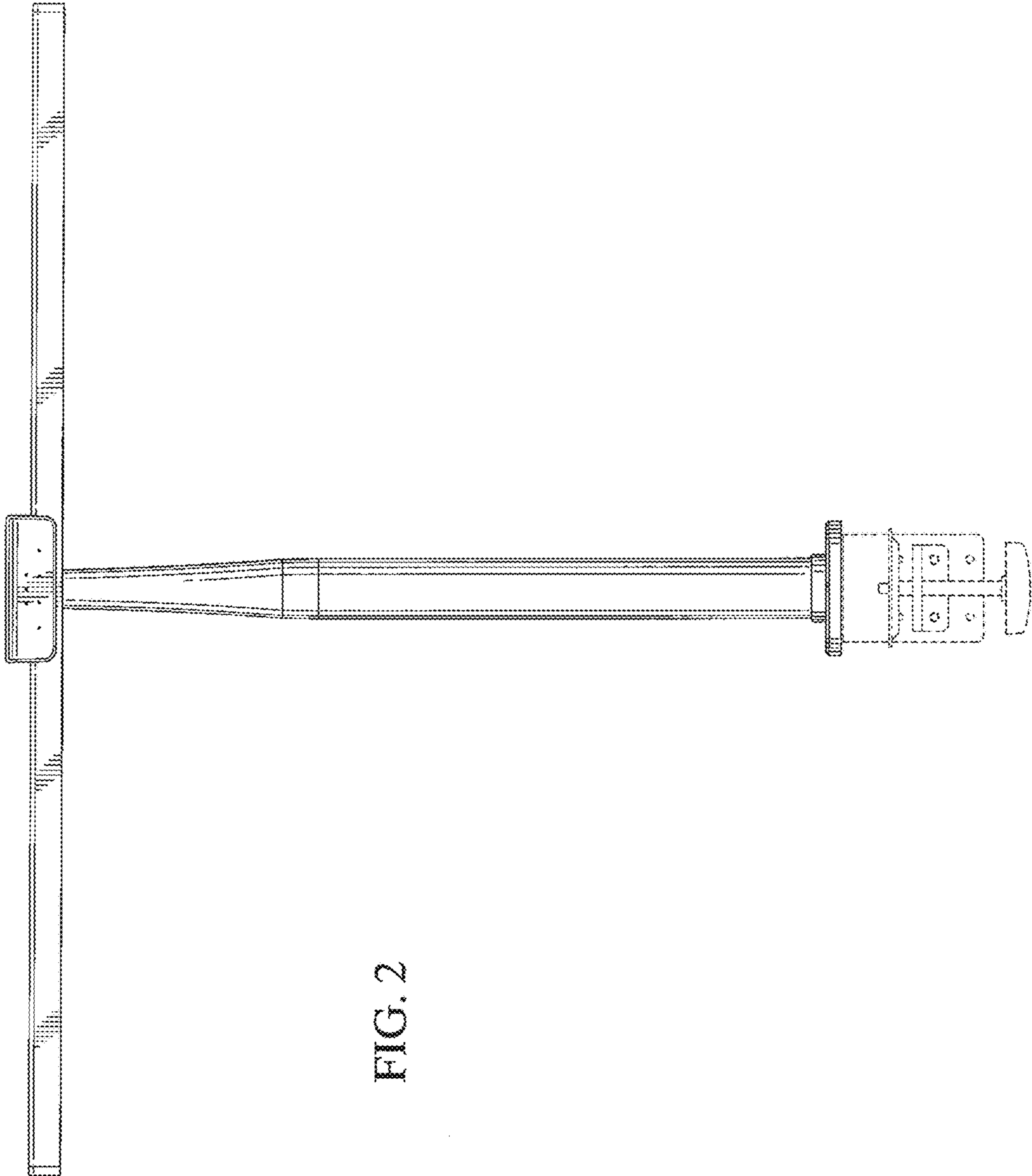
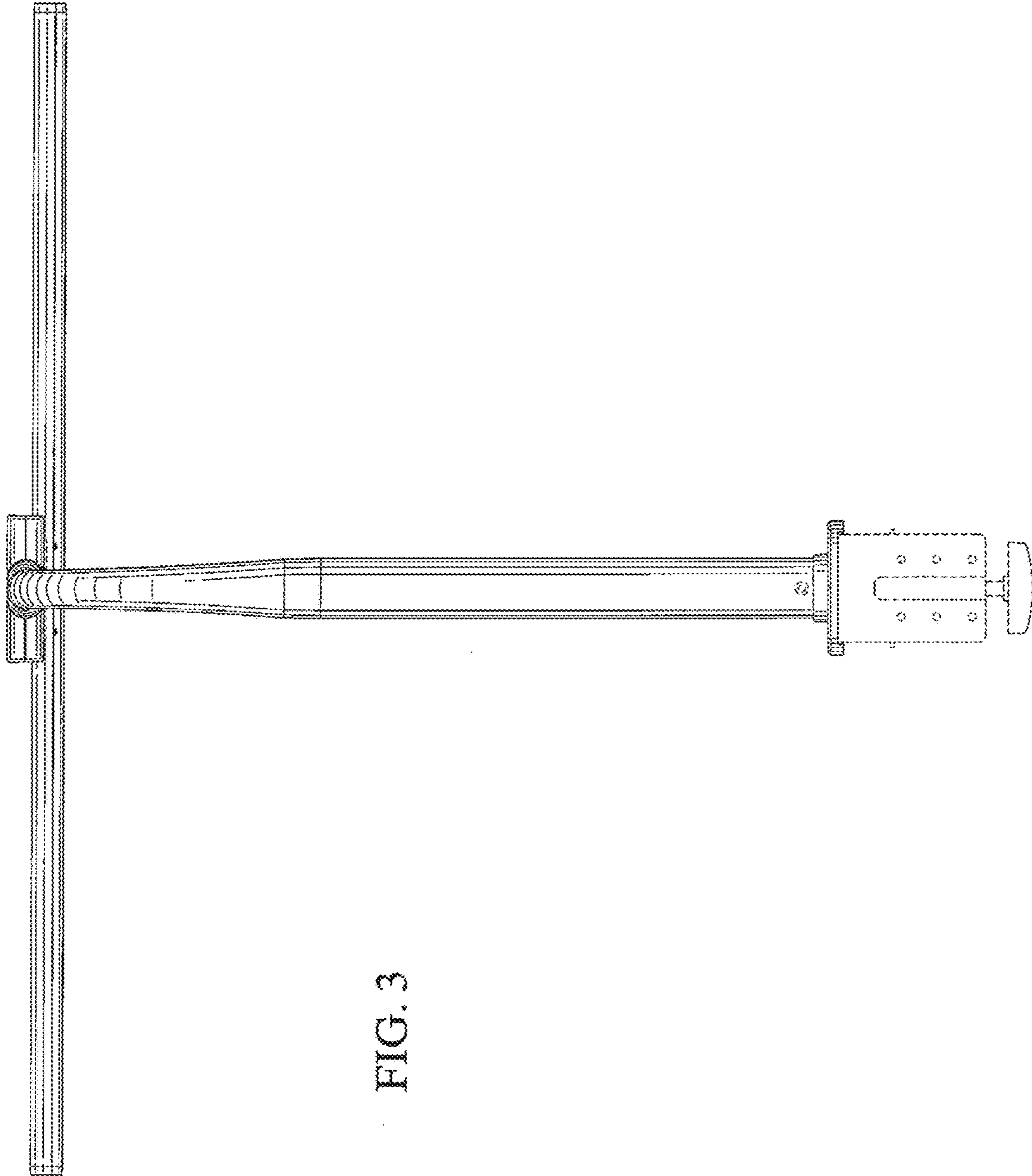
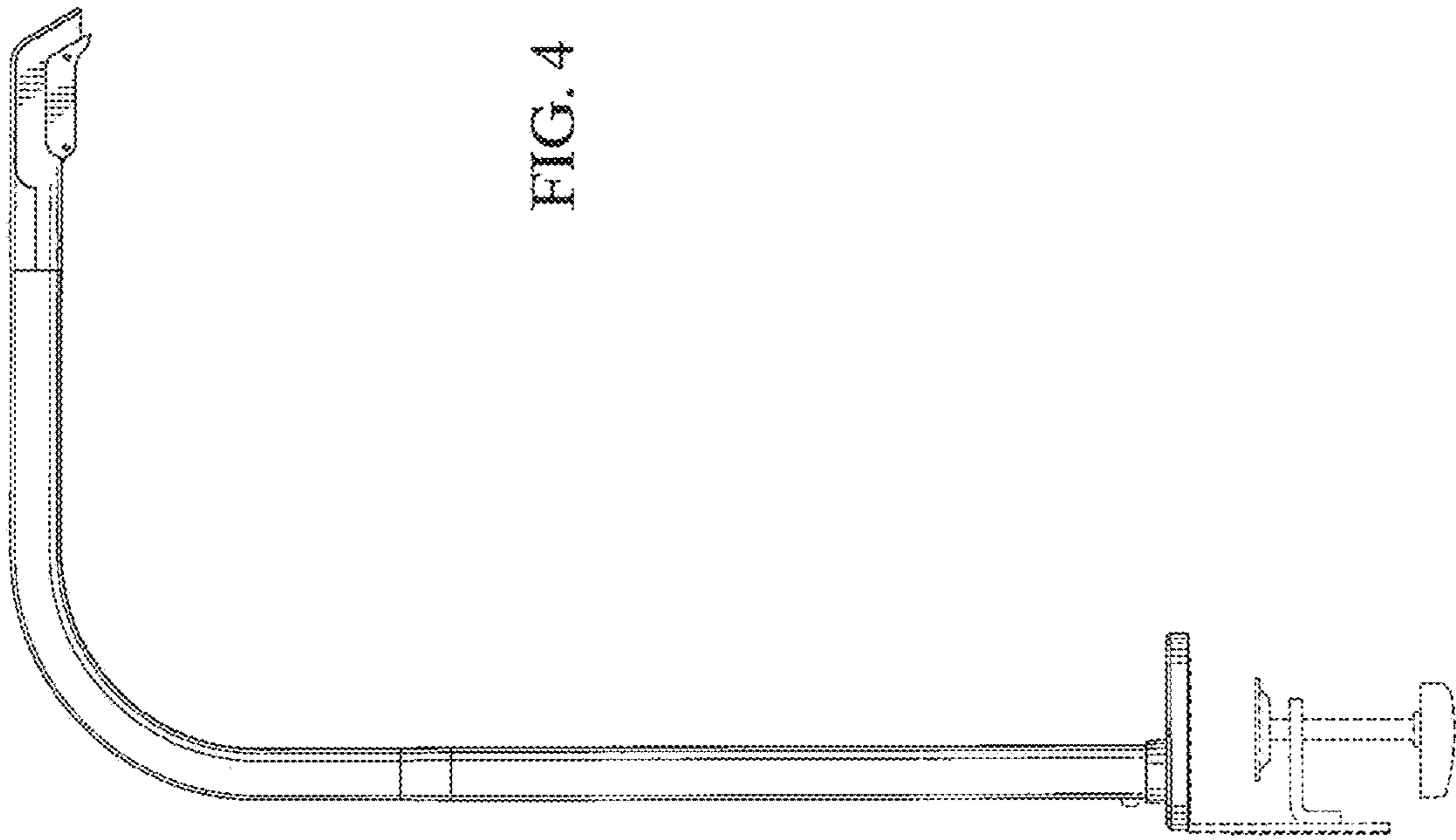


FIG. 1









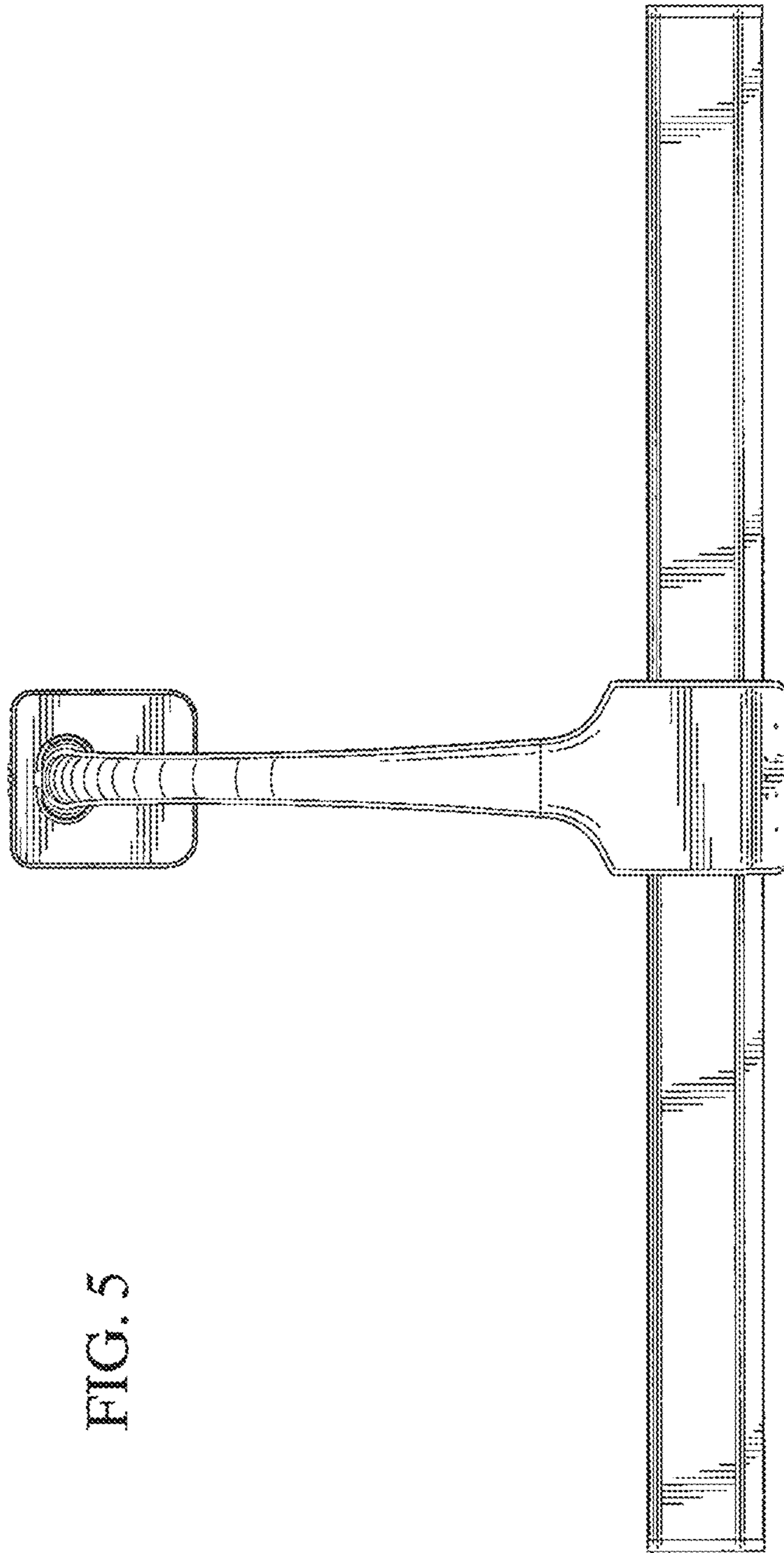


FIG. 5

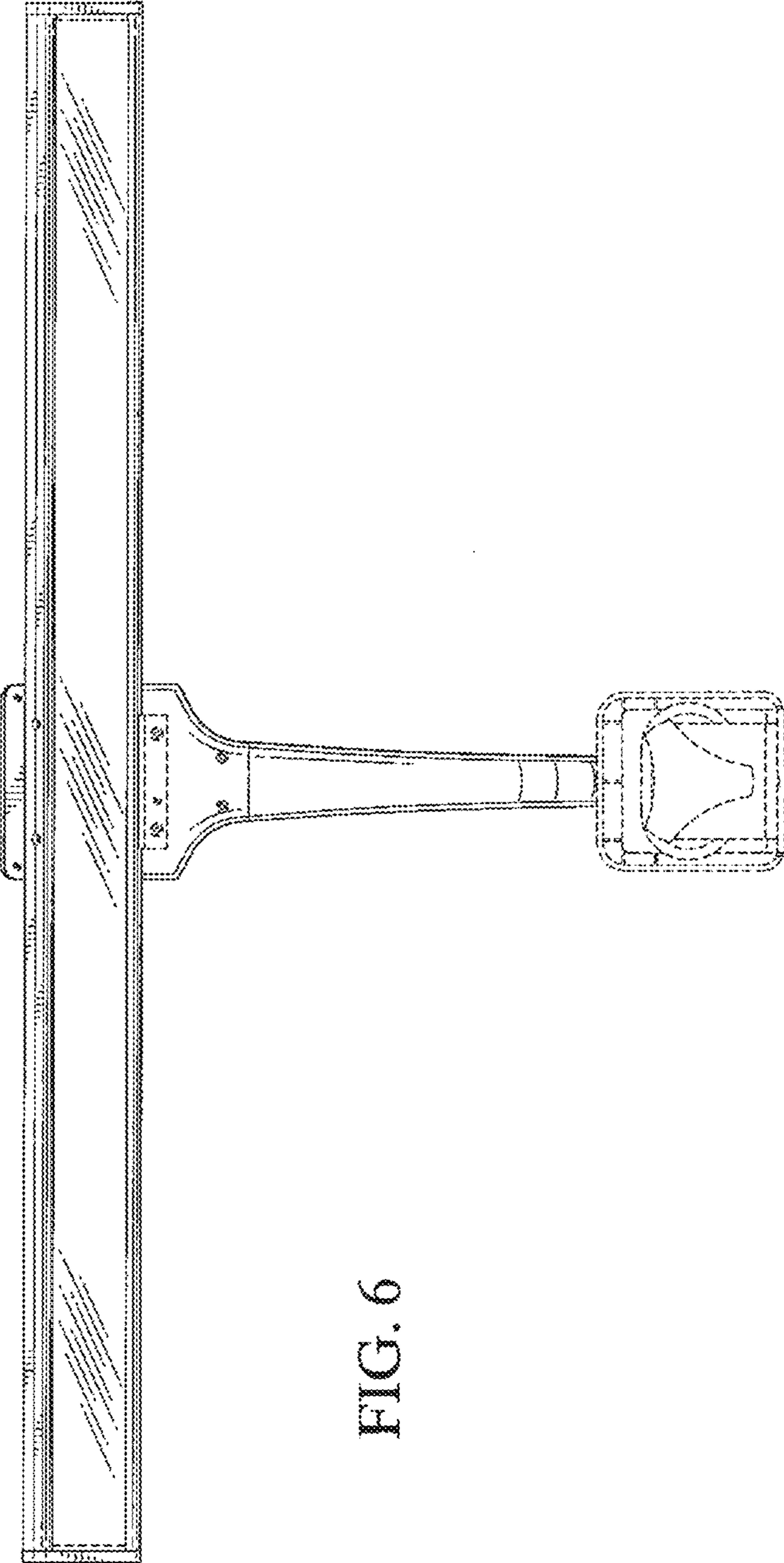


FIG. 6