



US00D811643S

(12) **United States Design Patent** (10) **Patent No.:** **US D811,643 S**
Hollander et al. (45) **Date of Patent:** **** Feb. 27, 2018**

(54) **LIGHTING FIXTURE**

(71) Applicant: **Hubbell Incorporated**, Shelton, CT (US)

(72) Inventors: **John Hollander**, East Dundee, IL (US); **Chris Bailey**, Greenville, SC (US); **Ryan Thompson**, Cambridge, MA (US); **Michael Tinstman**, Malden, MA (US); **Thomas Gernetzke**, Beverly, MA (US)

(73) Assignee: **Hubbell Incorporated**, Shelton, CT (US)

(**) Term: **15 Years**

(21) Appl. No.: **29/561,805**

(22) Filed: **Apr. 20, 2016**

(51) **LOC (11) Cl.** **26-03**

(52) **U.S. Cl.**
USPC **D26/76**

(58) **Field of Classification Search**
USPC D26/72, 76, 85, 86, 87, 118, 120, 141, D26/145, 155
CPC F21S 8/03; F21S 8/035; F21S 8/036; F21S 8/037; F21V 1/146; F21V 3/0409; F21V 7/043; F21V 7/05

See application file for complete search history.

(56) **References Cited**

U.S. PATENT DOCUMENTS

D305,943 S *	2/1990	Ossip-Klein	D26/118
D306,772 S *	3/1990	De'Armond	D25/136
D563,793 S *	3/2008	Nomoto	D9/530
D584,444 S *	1/2009	Lipson	D26/76
D633,641 S *	3/2011	Wauters	D26/76
D783,881 S *	4/2017	Hollander	D26/76

* cited by examiner

Primary Examiner — Brian N. Vinson

(74) *Attorney, Agent, or Firm* — Dority & Mainning, P.A.

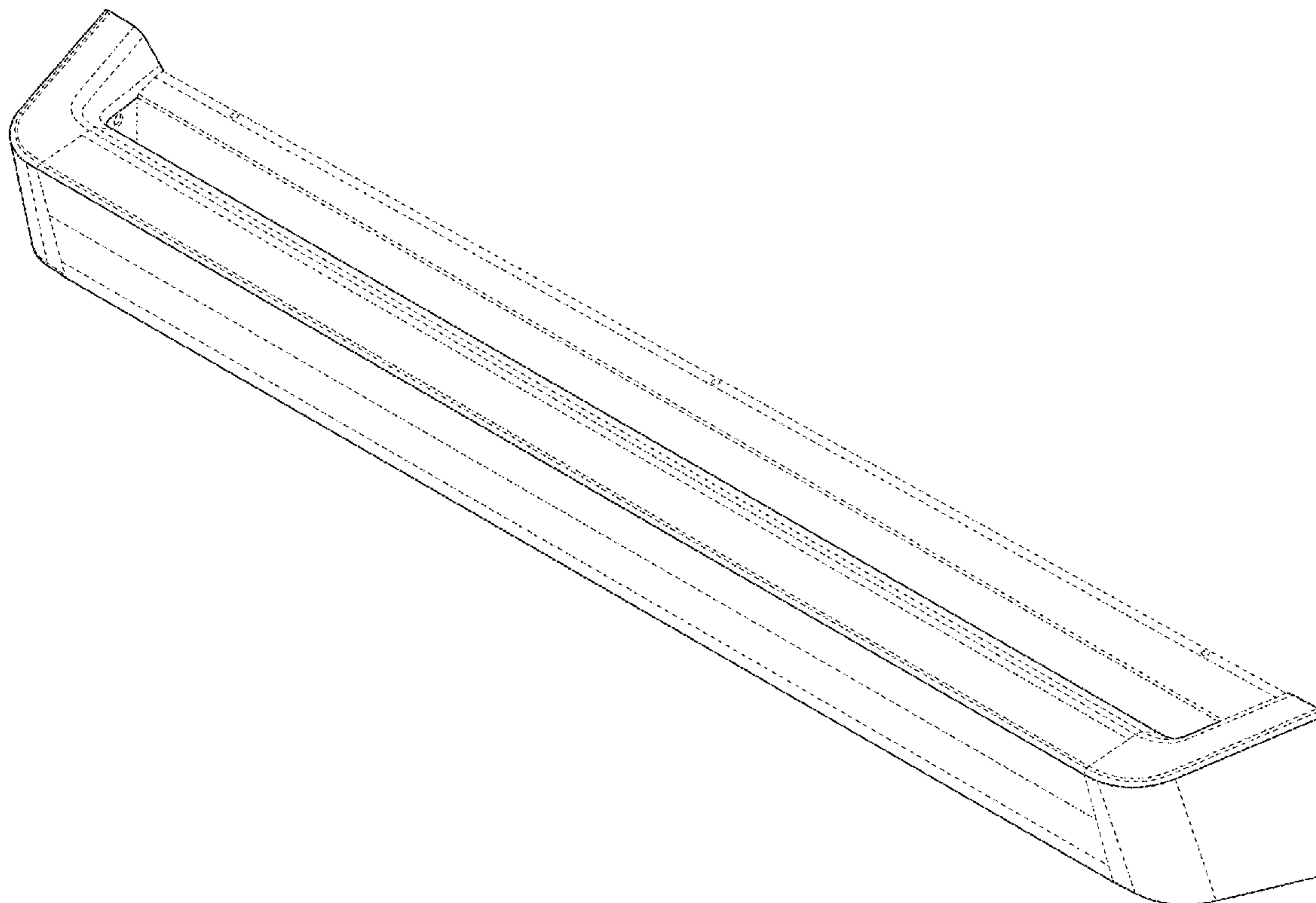
(57) **CLAIM**

The ornamental design for a lighting fixture, as shown and described.

DESCRIPTION

FIG. 1 is a perspective view of a lighting fixture showing our new design;
 FIG. 2 is a top view thereof;
 FIG. 3 is a bottom view thereof;
 FIG. 4 is a side elevation view thereof;
 FIG. 5 is a side elevation view thereof;
 FIG. 6 is a front elevation view thereof; and,
 FIG. 7 is a back elevation view thereof.
 The broken lines shown in the drawings illustrate portions of the lighting fixture that form no part of the claimed design.

1 Claim, 4 Drawing Sheets



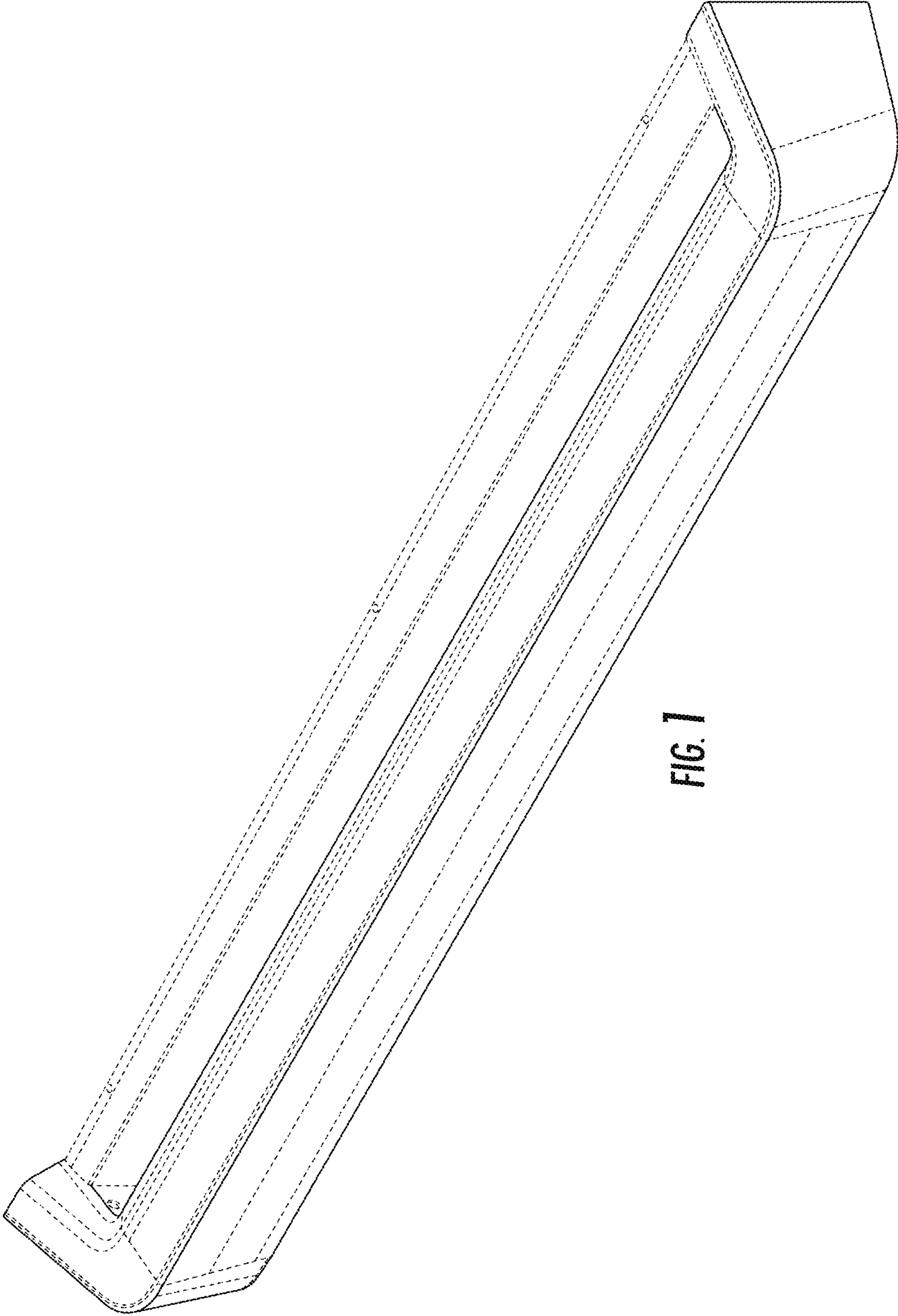


FIG. 1

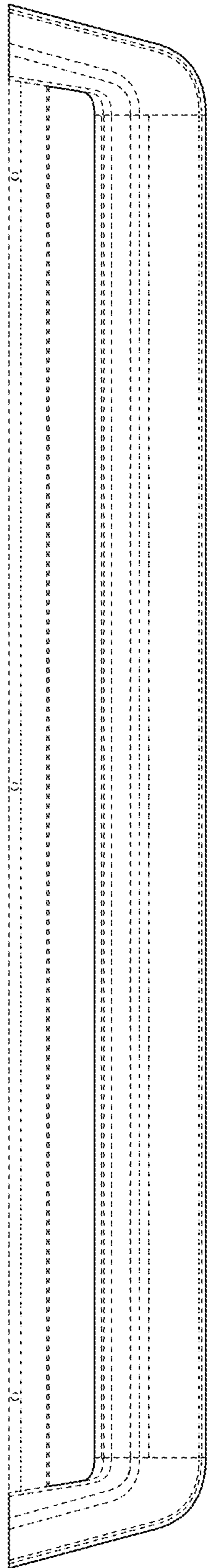


FIG. 2

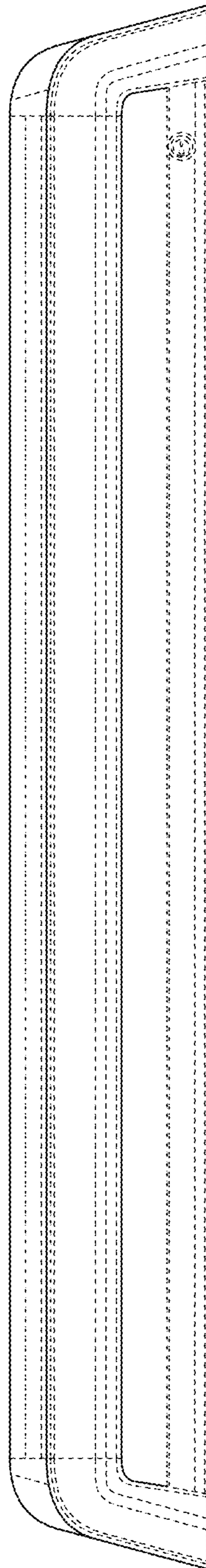


FIG. 3

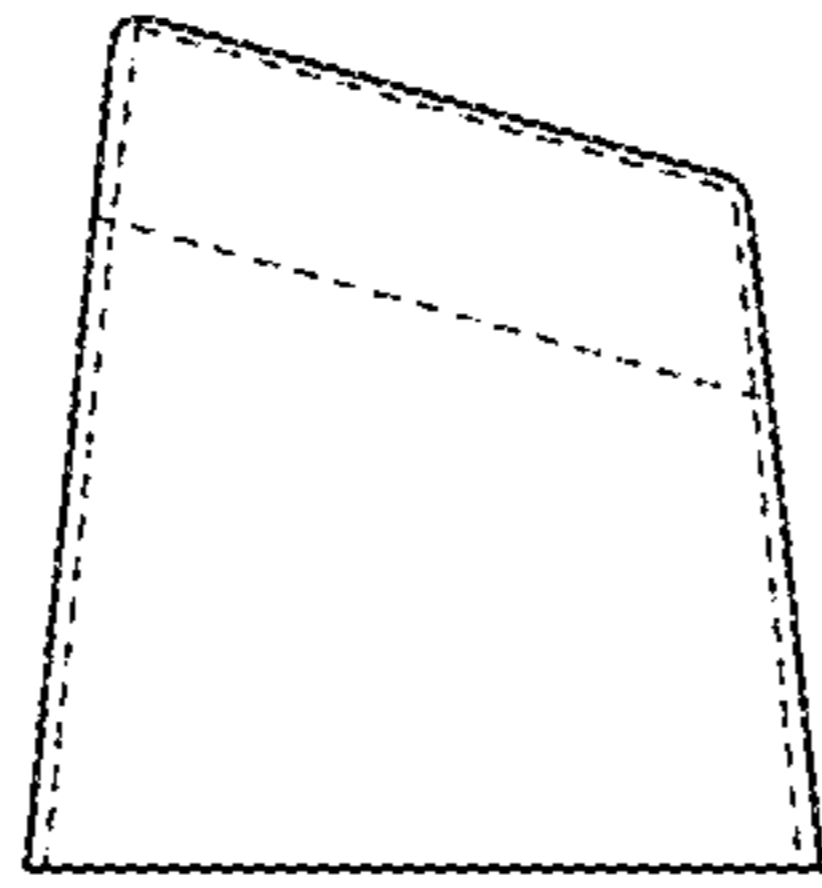


FIG. 5

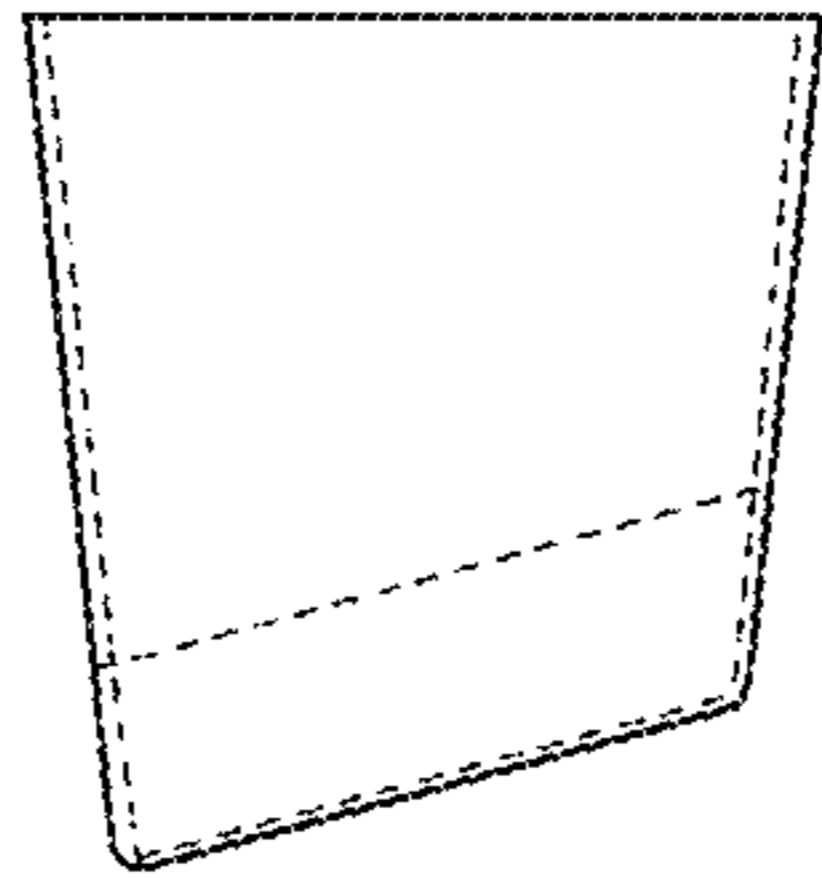


FIG. 4

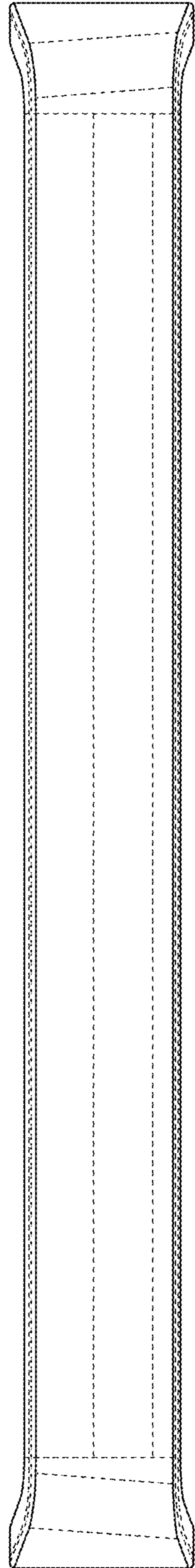


FIG. 6

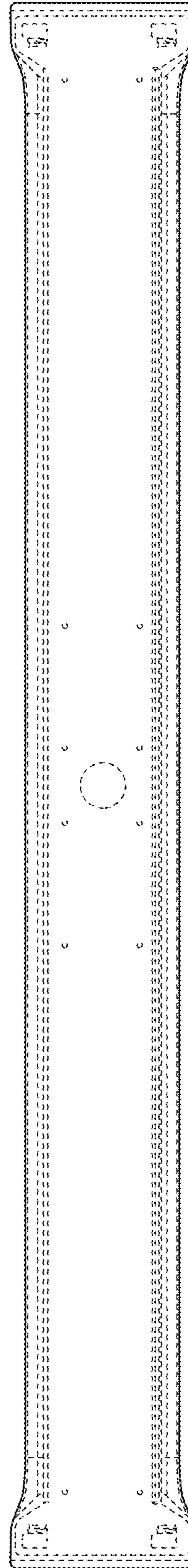


FIG. 7