



US00D811640S

(12) **United States Design Patent**
Kim

(10) **Patent No.:** **US D811,640 S**

(45) **Date of Patent:** **** Feb. 27, 2018**

(54) **LANTERN**

(71) Applicant: **PRISM CO., LTD.**, Bucheon-si,
Gyeonggi-do (KR)

(72) Inventor: **Suk Ho Kim**, Seoul (KR)

(73) Assignee: **Prism Co., Ltd.**, Bucheon-si (KR)

(**) Term: **15 Years**

(21) Appl. No.: **29/577,008**

(22) Filed: **Sep. 8, 2016**

(51) **LOC (11) Cl.** **26-03**

(52) **U.S. Cl.**
USPC **D26/63**

(58) **Field of Classification Search**
USPC D26/1, 24, 61, 63, 65, 85, 92
CPC F21V 21/14; F21V 15/01; F21V 14/02;
F21V 21/30; F21V 21/00; F21V 14/00;
F21S 8/00; F21S 8/003; F21S 8/043;
F21Y 2105/001

See application file for complete search history.

(56) **References Cited**

U.S. PATENT DOCUMENTS

- 4,323,953 A * 4/1982 Hutchison F21V 19/04
362/220
- D296,829 S * 7/1988 Peppers D26/63
- D570,024 S * 5/2008 Guercio D26/63
- D611,635 S * 3/2010 Gordin D26/63
- 7,780,318 B2 * 8/2010 Xiao F21V 21/30
248/200
- D693,501 S * 11/2013 Kochman D26/63

- D747,526 S * 1/2016 Zhang D26/63
- D761,472 S * 7/2016 Zhu D26/63
- D761,473 S * 7/2016 Zhang D26/63
- D762,902 S * 8/2016 Ke D26/63
- D779,097 S * 2/2017 Xu D26/63

FOREIGN PATENT DOCUMENTS

- KR 30-0741028 4/2014
- KR 30-0790211 4/2015
- KR 30-0817012 9/2015
- KR 30-0823847 11/2015
- KR 30-0825342 11/2015
- KR 30-0834581 1/2016

* cited by examiner

Primary Examiner — Brian N. Vinson

(74) *Attorney, Agent, or Firm* — Lewis Roca Rothgerber
Christie LLP

(57) **CLAIM**

The ornamental design for lantern, as shown and described.

DESCRIPTION

FIG. 1 is a perspective view of a lantern.

FIG. 2 is front view thereof;

FIG. 3 is a rear view thereof;

FIG. 4 is a left side view thereof;

FIG. 5 is a right side view thereof;

FIG. 6 is a top view thereof; and,

FIG. 7 is a bottom view thereof.

The broken lines shown in the drawings illustrate portions of the lantern that form no part of the claimed design.

1 Claim, 6 Drawing Sheets

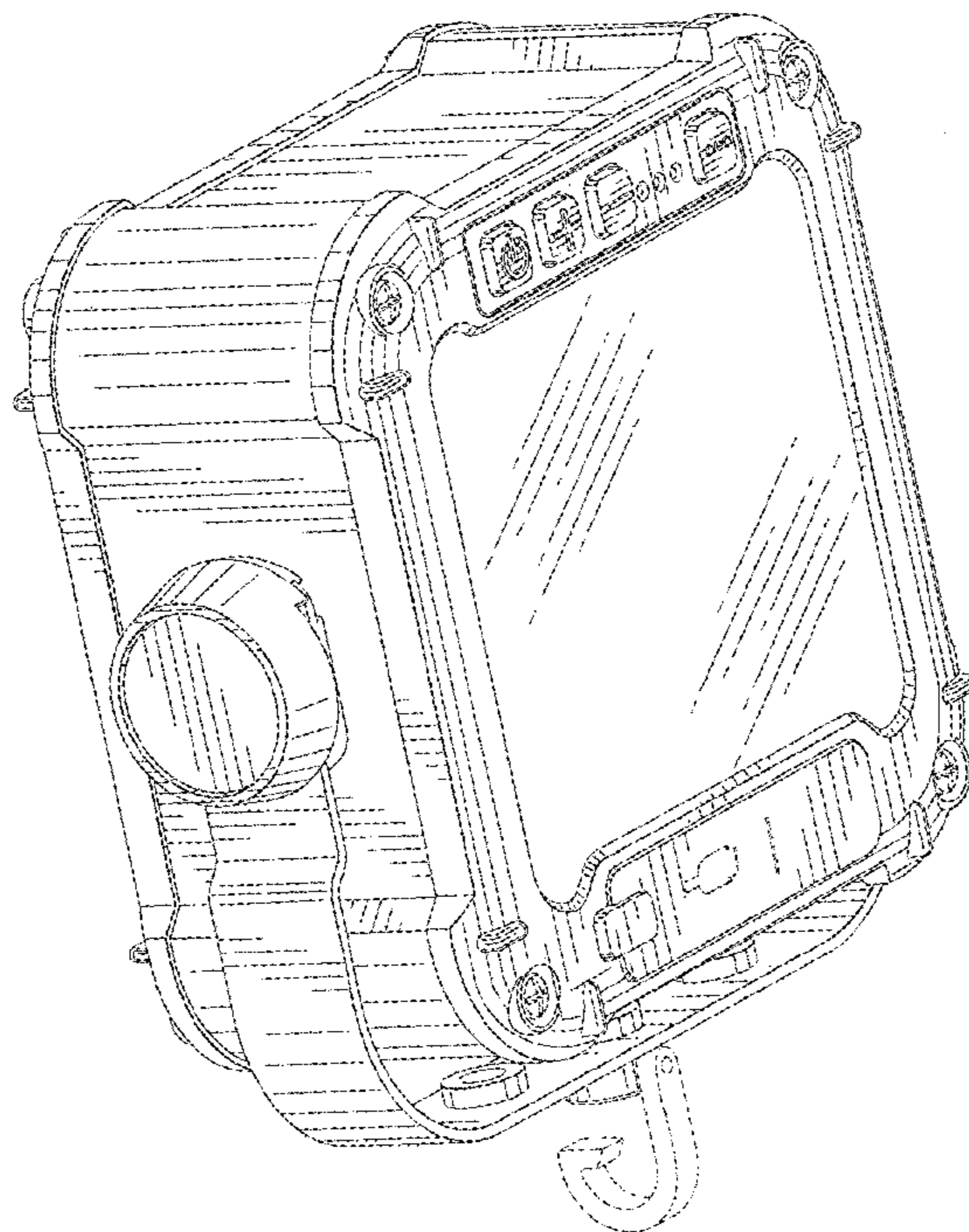


FIG. 1

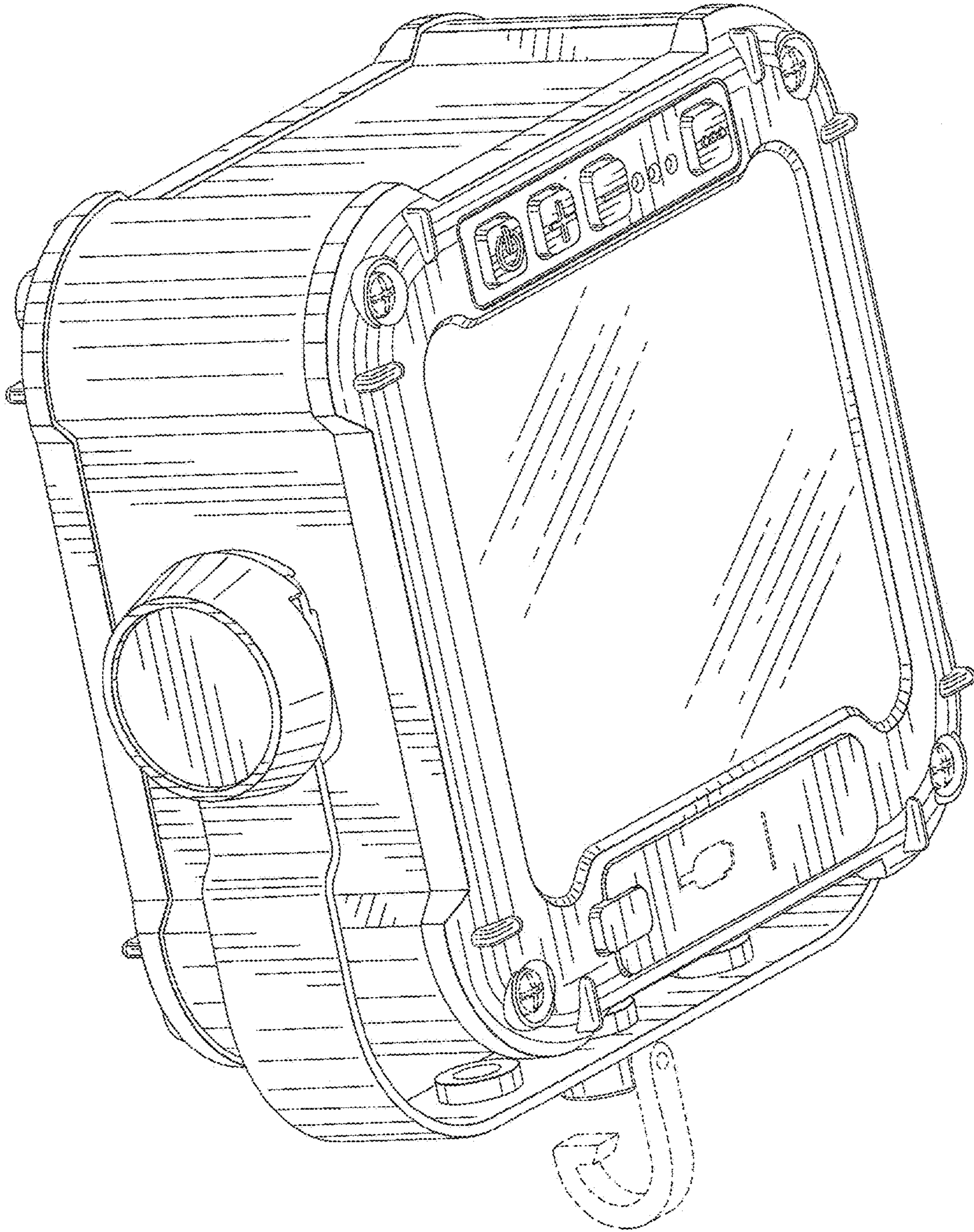


FIG. 2

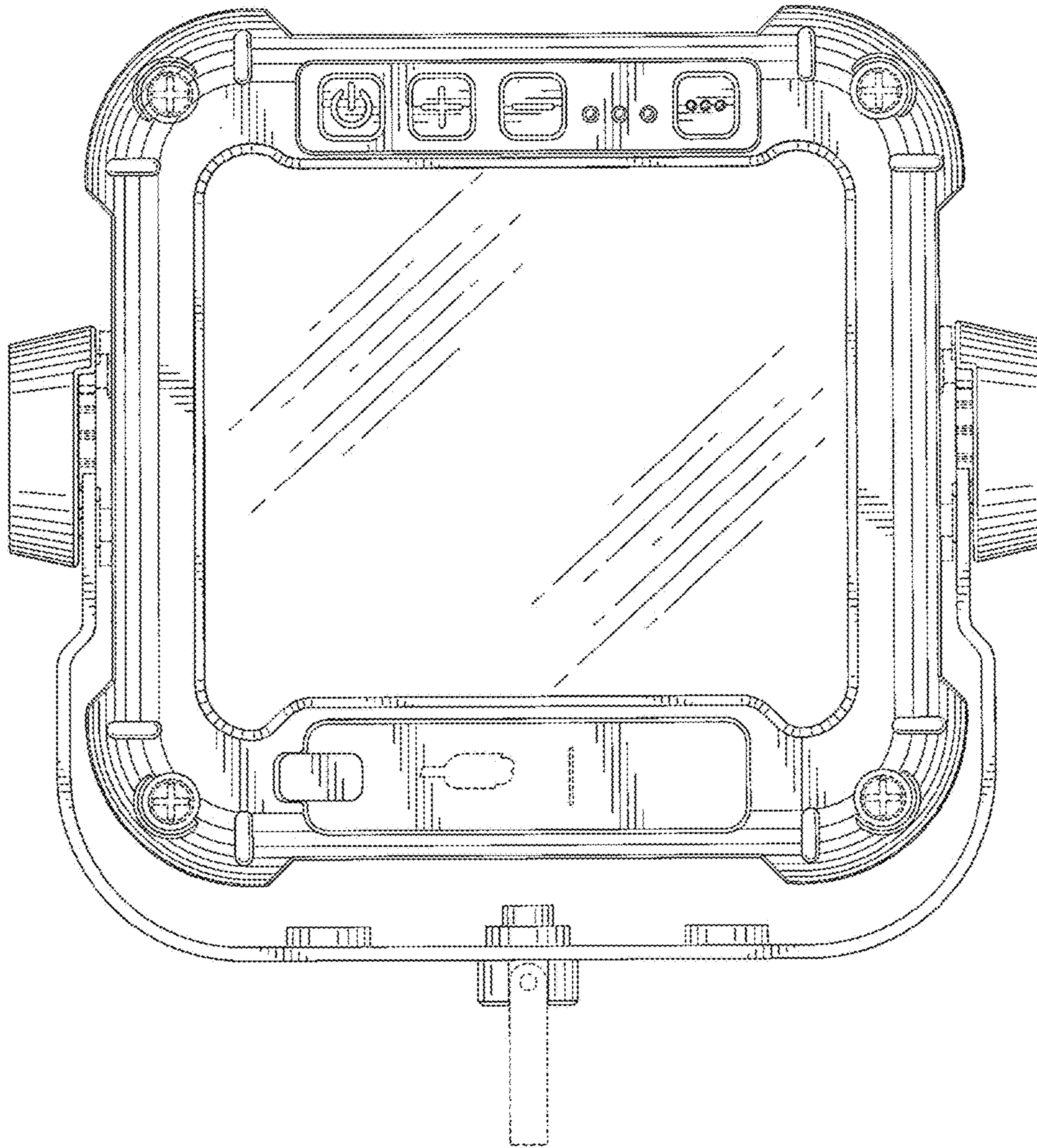


FIG. 3

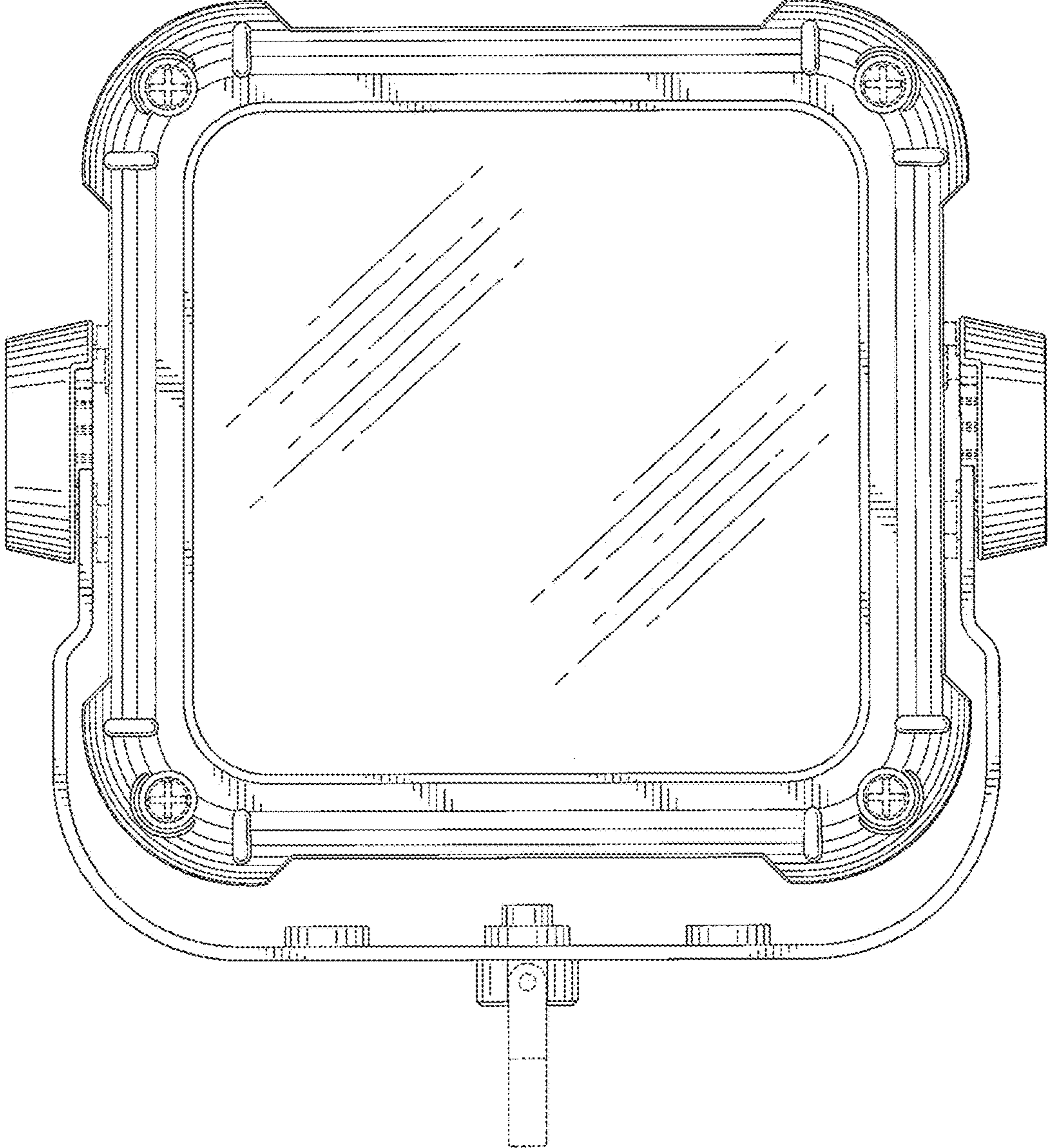


FIG. 4

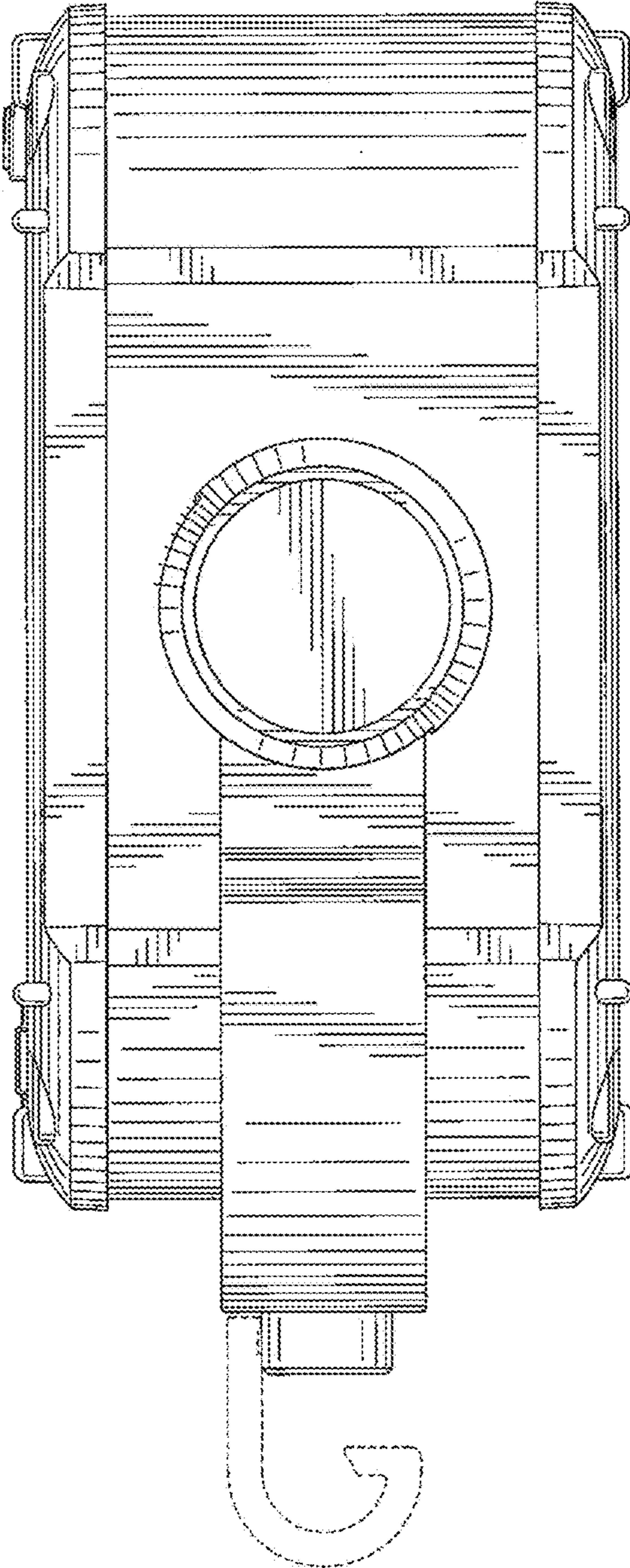


FIG. 5

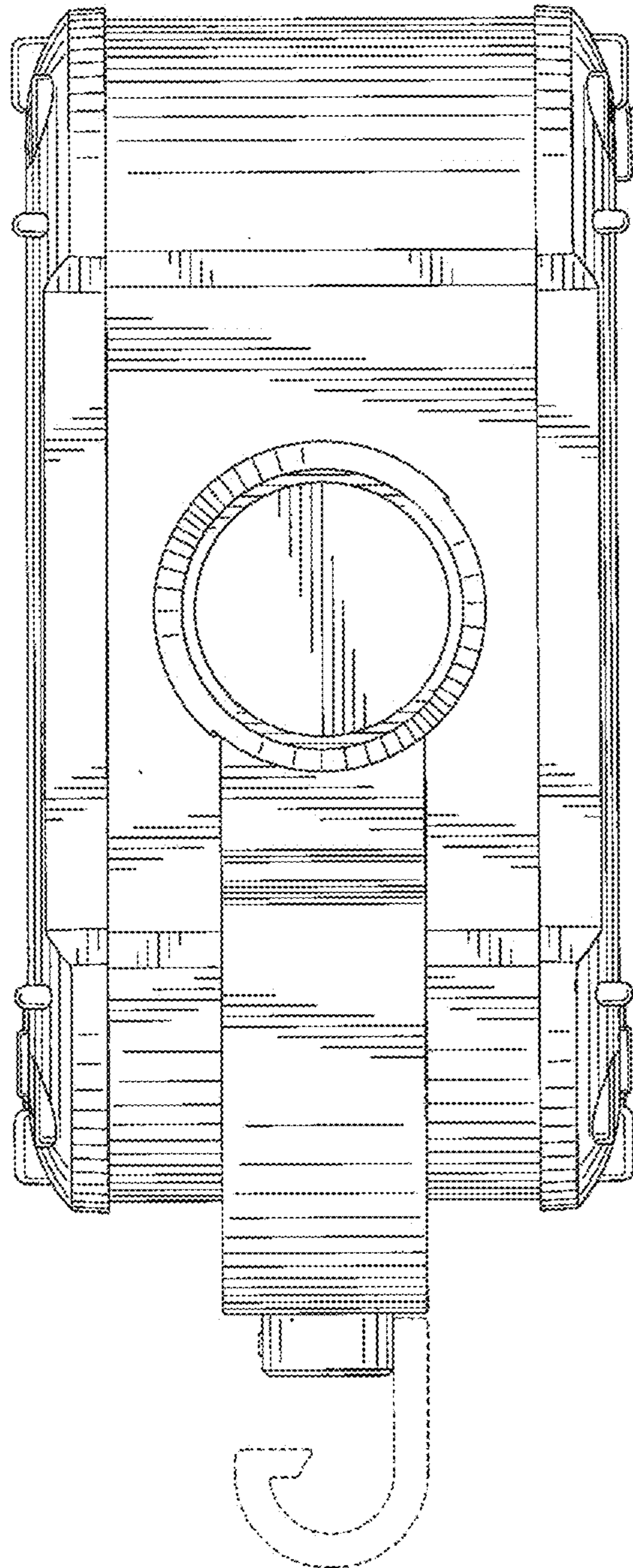


FIG. 6

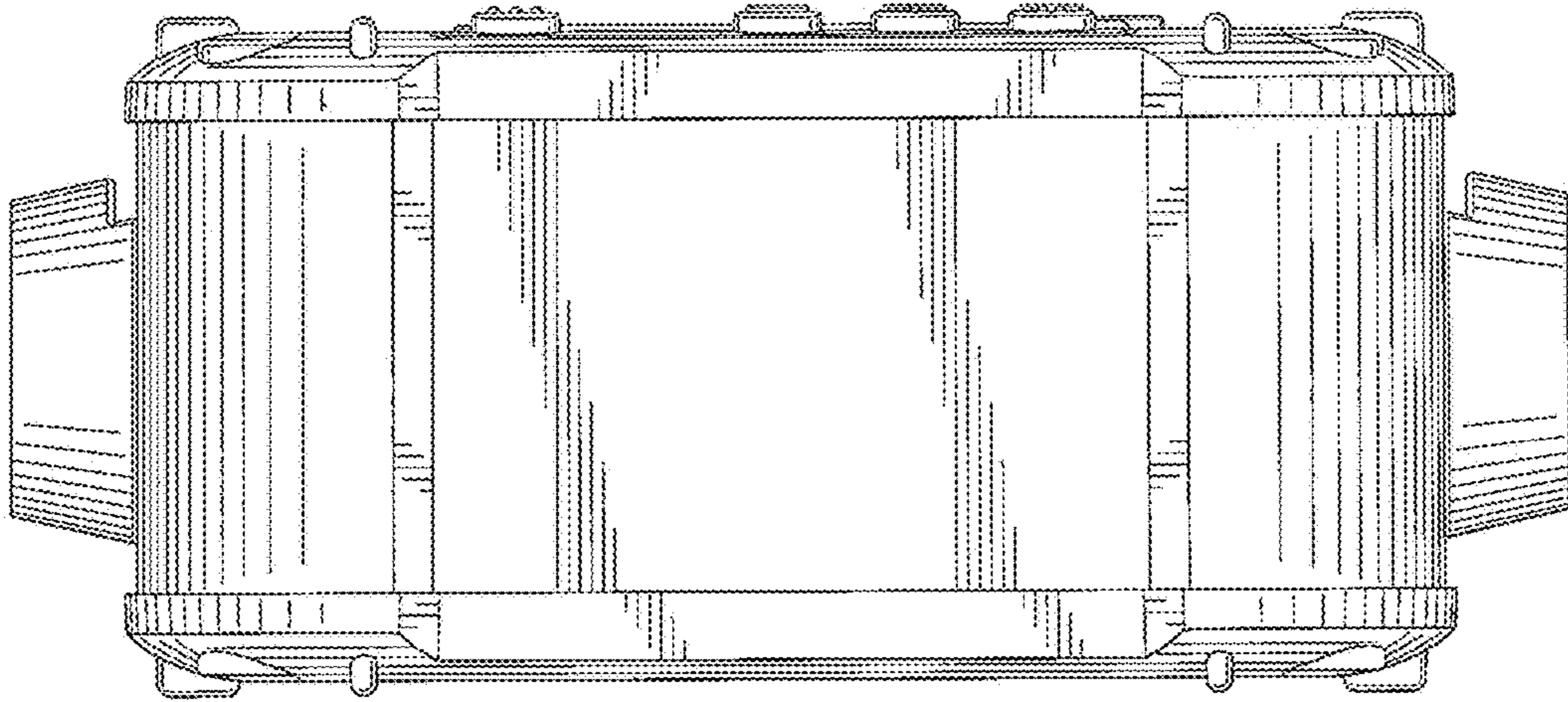


FIG. 7

