



US00D811639S

(12) **United States Design Patent**
Wojan et al.

(10) **Patent No.:** **US D811,639 S**
(45) **Date of Patent:** **** Feb. 27, 2018**

(54) **AUTOMOTIVE WORK LIGHT**

(71) Applicant: **PROFESSIONAL TOOL PRODUCTS, LLC**, Travelers Rest, SC (US)

(72) Inventors: **Richard Glenn Wojan**, Travelers Rest, SC (US); **Jorge Palacio**, Greenville, SC (US); **Laurie Sauer**, Campobello, SC (US)

(73) Assignee: **PROFESSIONAL TOOL PRODUCTS, LLC**, Travelers Rest, SC (US)

(**) Term: **15 Years**

(21) Appl. No.: **29/577,274**

(22) Filed: **Sep. 12, 2016**

(51) **LOC (11) Cl.** **26-03**

(52) **U.S. Cl.**
USPC **D26/60**

(58) **Field of Classification Search**
USPC D26/60
CPC F21V 21/35; F21V 21/104; F21V 23/02;
F21V 23/06; F21V 21/08; F21S 2/005;
F21S 8/061; F21S 8/063
See application file for complete search history.

(56) **References Cited**

U.S. PATENT DOCUMENTS

D314,635 S 2/1991 Berg
5,836,679 A * 11/1998 Klamm F21V 21/08
362/220

D425,234 S * 5/2000 Marier D26/60
D490,179 S 5/2004 Niemann
D543,305 S * 5/2007 Wang D26/60
D544,977 S * 6/2007 Qi D26/37
2008/0117644 A1 5/2008 Li
2015/0292691 A1 10/2015 Li

* cited by examiner

Primary Examiner — Brian N. Vinson

(74) *Attorney, Agent, or Firm* — J. Bennett Mullinax, LLC

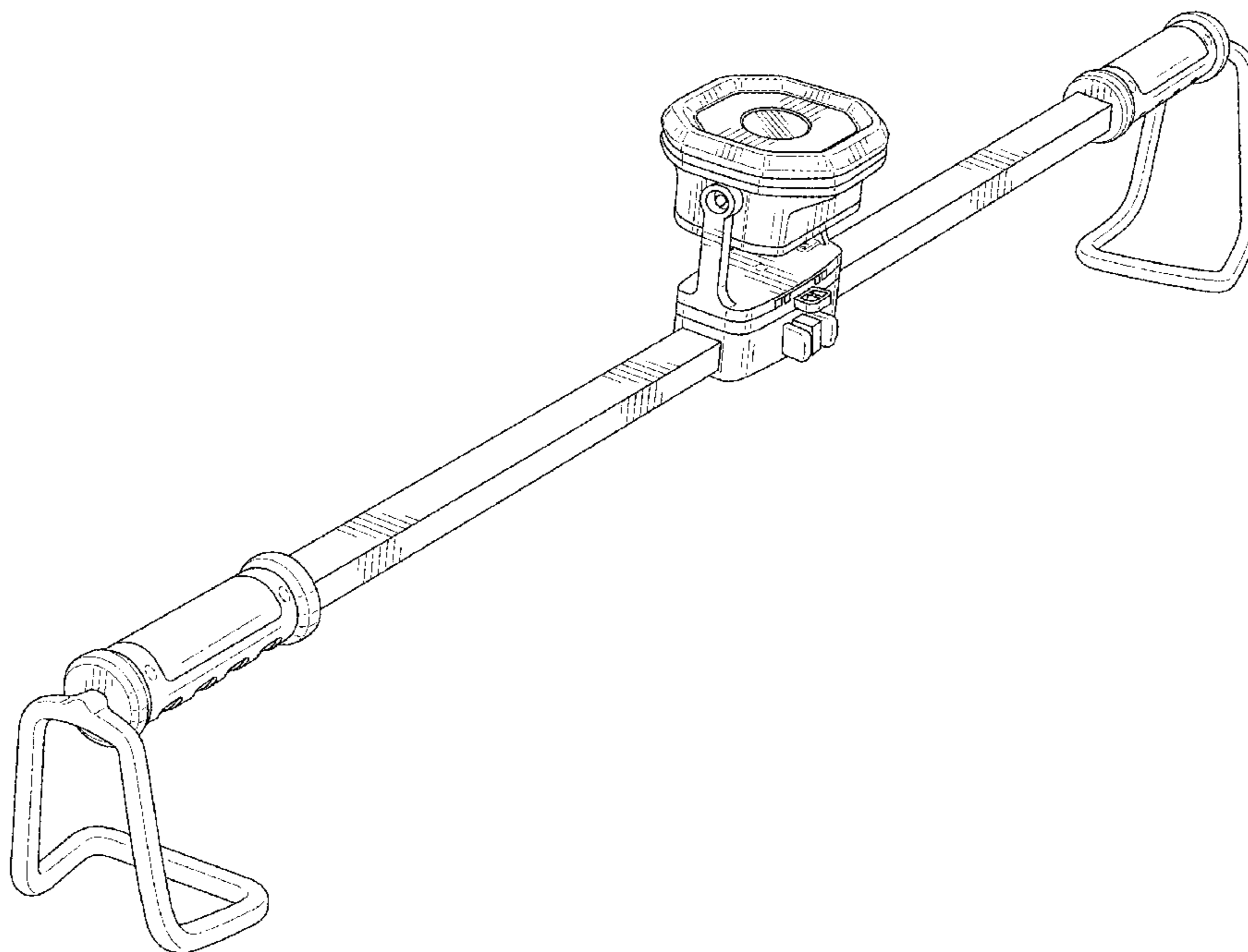
(57) **CLAIM**

The ornamental design for an automotive work light, as shown and described.

DESCRIPTION

FIG. 1 is a front top perspective view of the automotive work light according to a first embodiment of the present design. FIG. 2 is a front view of the automotive work light as shown in FIG. 1; FIG. 3 is a rear view of the automotive work light as shown in FIG. 1; FIG. 4 is a right side view of the automotive work light as shown in FIG. 1; FIG. 5 is a left side view of the automotive work light as shown in FIG. 1; FIG. 6 is a top view of the automotive work light as shown in FIG. 1; and, FIG. 7 is a bottom view of the automotive work light as shown in FIG. 1. The broken lines shown in FIGS. 1, 6 and 7 are for illustrative purposes only and form no part of the claimed design.

1 Claim, 4 Drawing Sheets



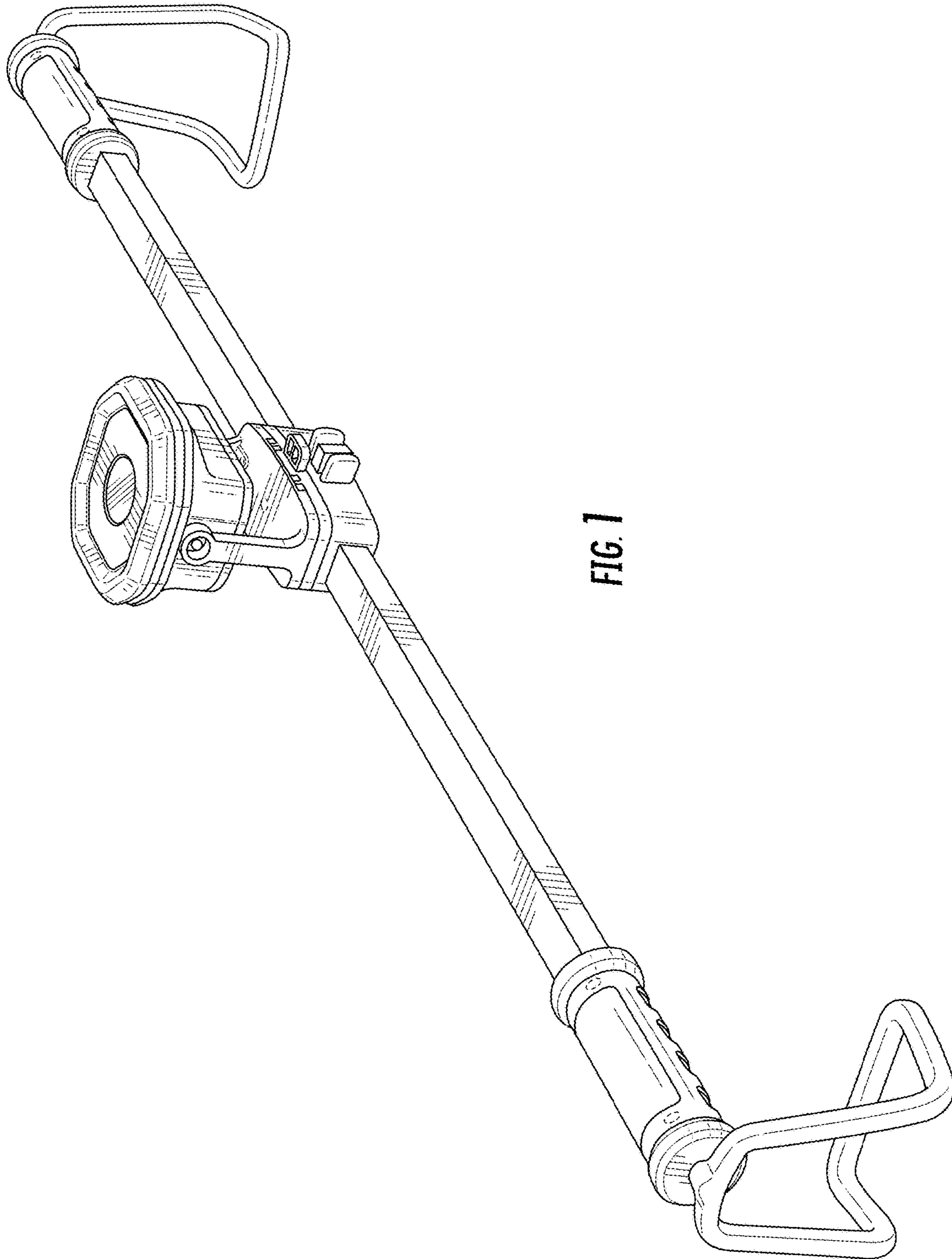


FIG. 1

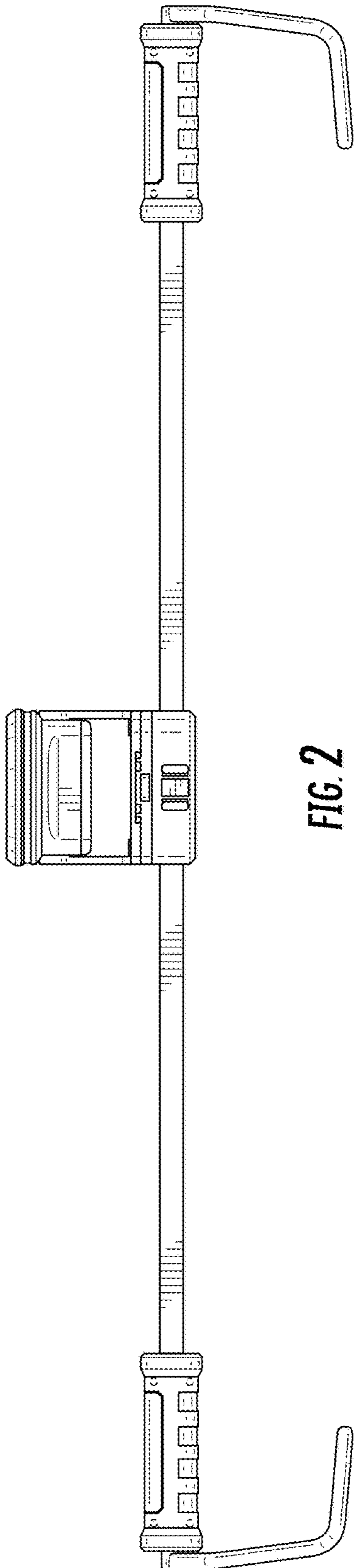


FIG. 2

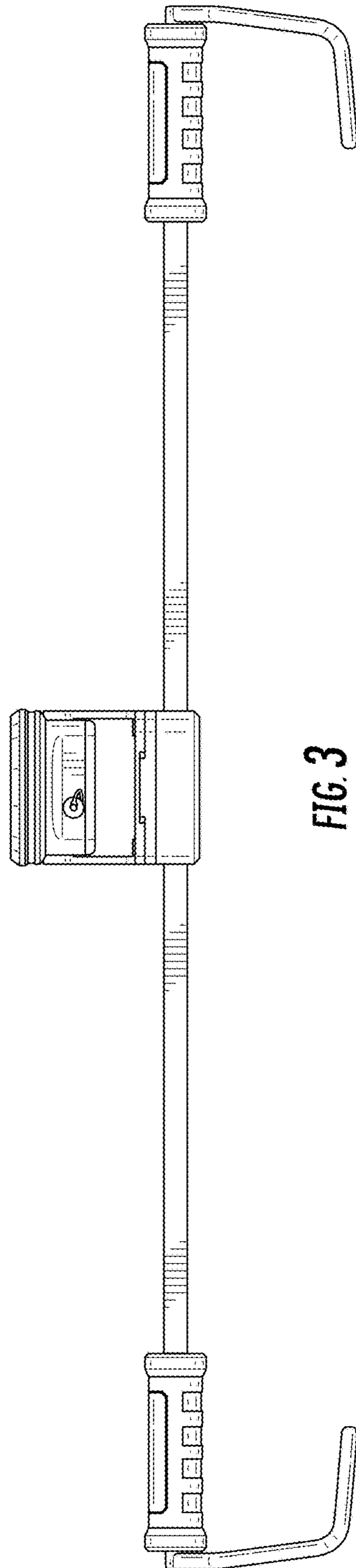


FIG. 3

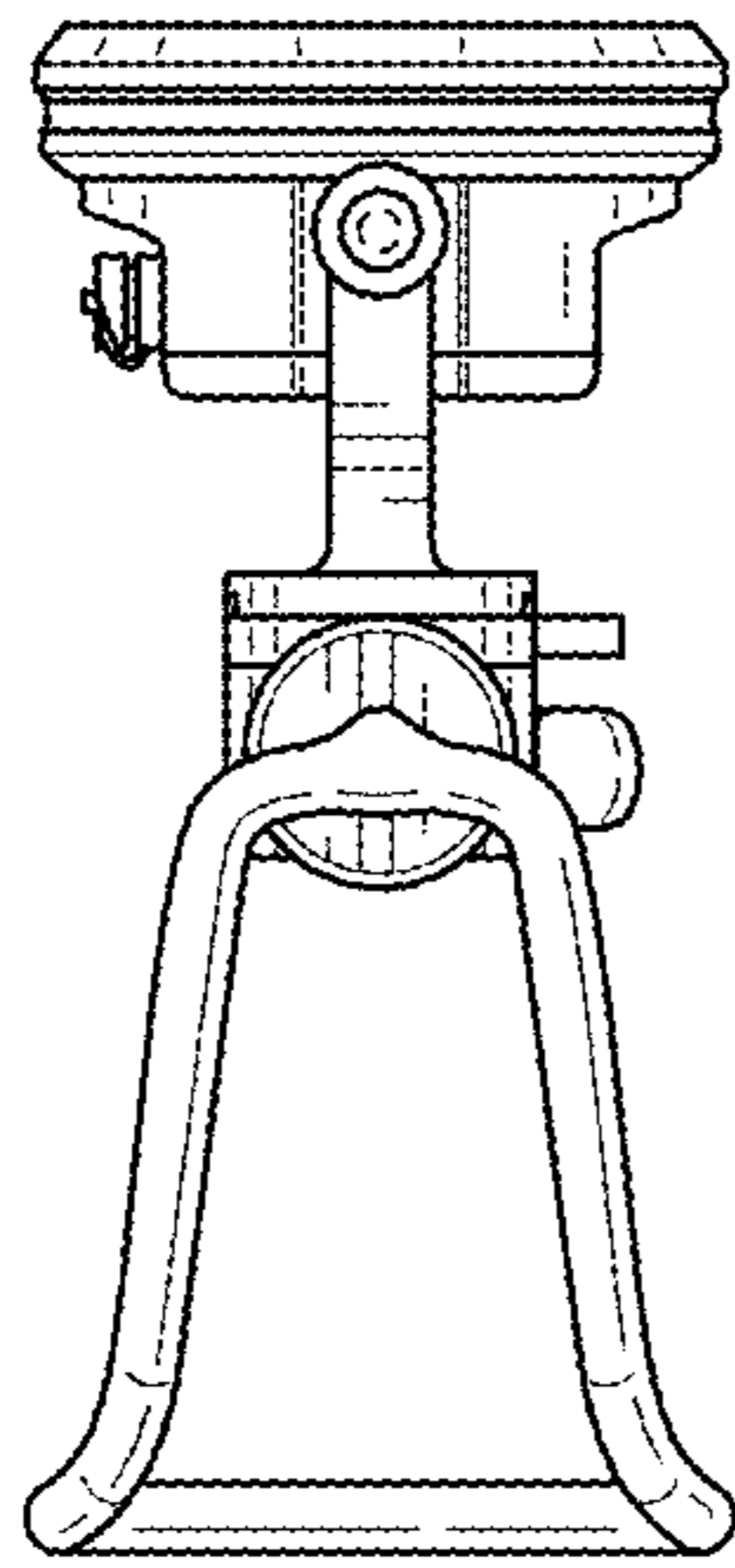


FIG. 4

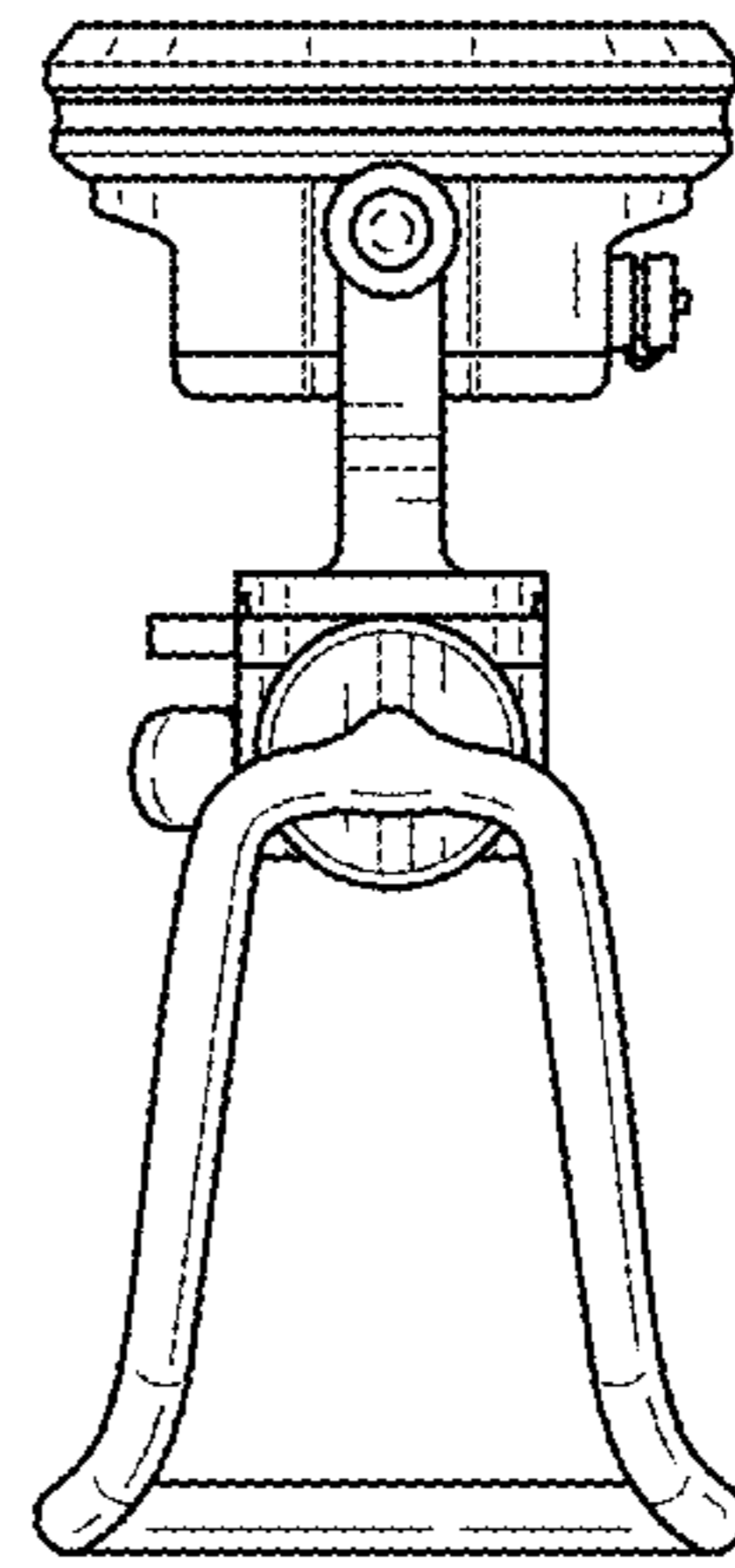


FIG. 5

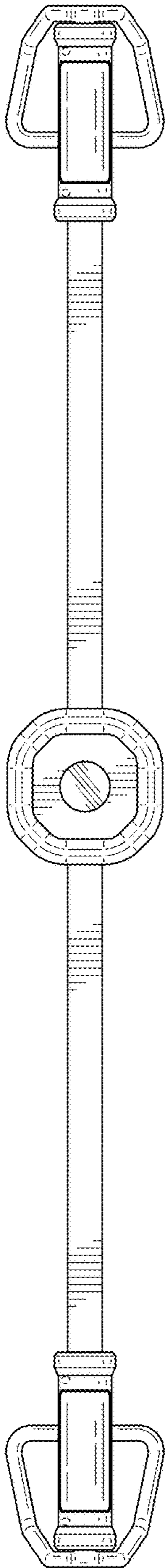


FIG. 6

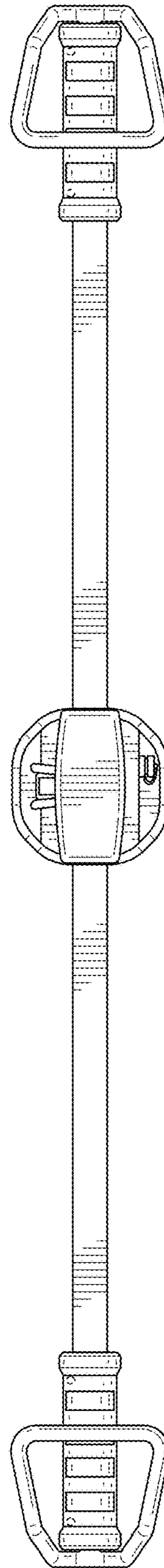


FIG. 7