

US00D811638S

(12) **United States Design Patent**
Chang

(10) **Patent No.:** **US D811,638 S**

(45) **Date of Patent:** **** Feb. 27, 2018**

- (54) **CLOTHESPIN SHAPED LIGHT**
- (71) Applicant: **Kikkerland Design, Inc.**, New York, NY (US)
- (72) Inventor: **Suzanne Chang**, New York, NY (US)
- (73) Assignee: **Kikkerland Design, Inc.**, New York, NY (US)
- (**) Term: **15 Years**
- (21) Appl. No.: **29/544,376**
- (22) Filed: **Nov. 3, 2015**
- (51) **LOC (11) Cl.** **26-01**
- (52) **U.S. Cl.**
USPC **D26/51; D26/38**
- (58) **Field of Classification Search**
USPC D26/4, 16, 14, 32, 47, 57, 73, 94, 125,
D26/146, 147, 156, 38, 51; D8/395
CPC F21L 2003/00; F21L 4/00; F21L 4/005;
F21L 4/02; F21L 4/025; F21L 4/027;
F21L 4/04; F21L 4/08; F21L 2005/00;
F21L 7/00; F21L 11/00; F21L 13/00;
F21L 13/04; F21L 13/08; F21L 14/02;
F21L 17/00; F21L 19/00
See application file for complete search history.

4,614,008 A *	9/1986	Brill	D06F 55/02 24/501
D303,590 S *	9/1989	Pelosi	D32/64
D317,116 S *	5/1991	Nimtz	D32/64
D366,609 S *	1/1996	McDonald	D8/395
D374,170 S *	10/1996	Slaski	D32/61
D410,573 S *	6/1999	McKibbin	D32/61
D420,896 S *	2/2000	Blackburn	D8/395
D472,997 S *	4/2003	Yang	D26/38
D473,963 S *	4/2003	Chun	D26/38
D609,376 S *	2/2010	Cristoforo	D26/38
D683,511 S *	5/2013	Fascitelli	D32/61
D720,816 S *	1/2015	Nelson	D21/453

* cited by examiner

Primary Examiner — Lakiya Rogers

Assistant Examiner — Carissa C Fitts

(74) *Attorney, Agent, or Firm* — Charles H Jew

(56) **References Cited**
U.S. PATENT DOCUMENTS

1,284,556 A *	11/1918	Bailey	D06F 55/02 24/500
D212,444 S *	10/1968	Coon	D8/395
3,453,700 A *	7/1969	Teague, Jr.	D06F 55/02 24/557
D251,345 S *	3/1979	Bigelow	D32/64
4,356,600 A *	11/1982	Welch	B65D 33/1675 24/30.5 R

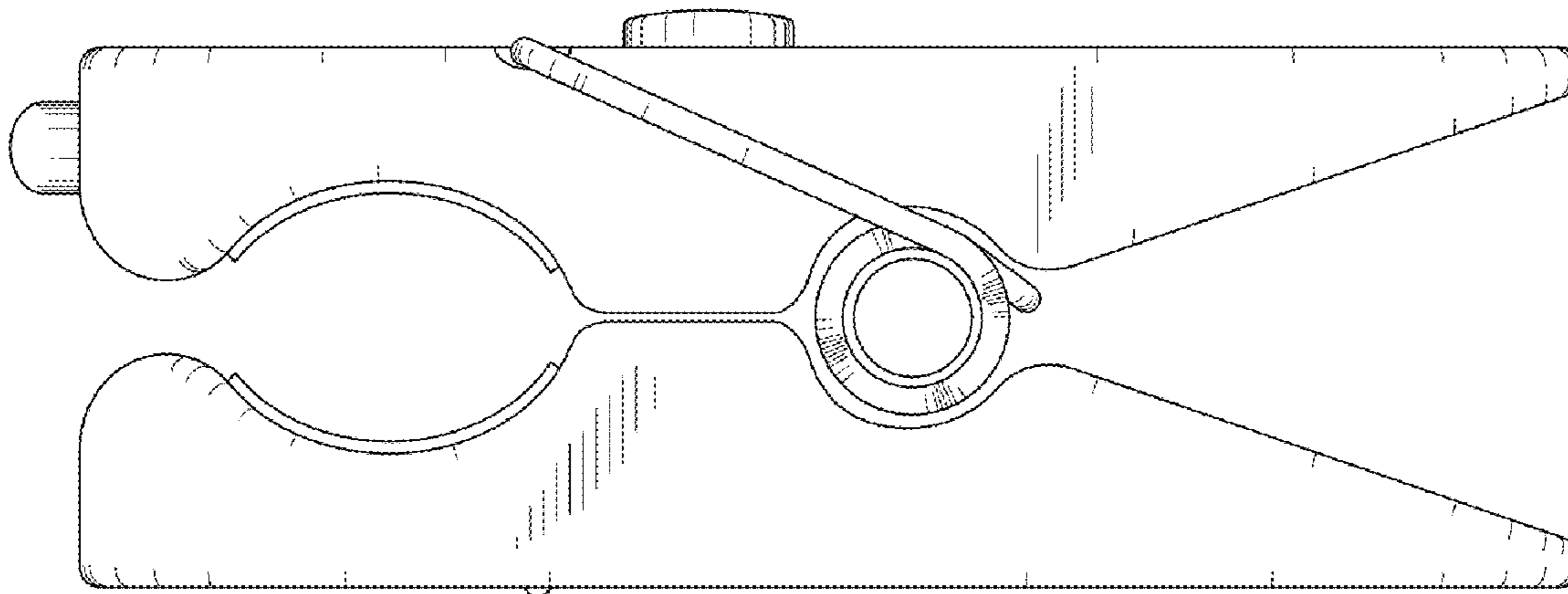
(57) **CLAIM**

The ornamental design for a clothespin shaped light, as shown and described.

DESCRIPTION

FIG. 1 is a left side view of the clothespin shaped light showing my design;
 FIG. 2 is a right side view thereof;
 FIG. 3 is a top view thereof;
 FIG. 4 is a bottom view thereof;
 FIG. 5 is a front view thereof;
 FIG. 6 is a rear view thereof;
 FIG. 7 is a top front perspective view thereof; and,
 FIG. 8 is a top front perspective view thereof showing the clothespin fastened onto a cylindrical member.
 The broken lines in FIG. 8 showing the cylindrical member show environment and form no part of the claimed design.

1 Claim, 2 Drawing Sheets



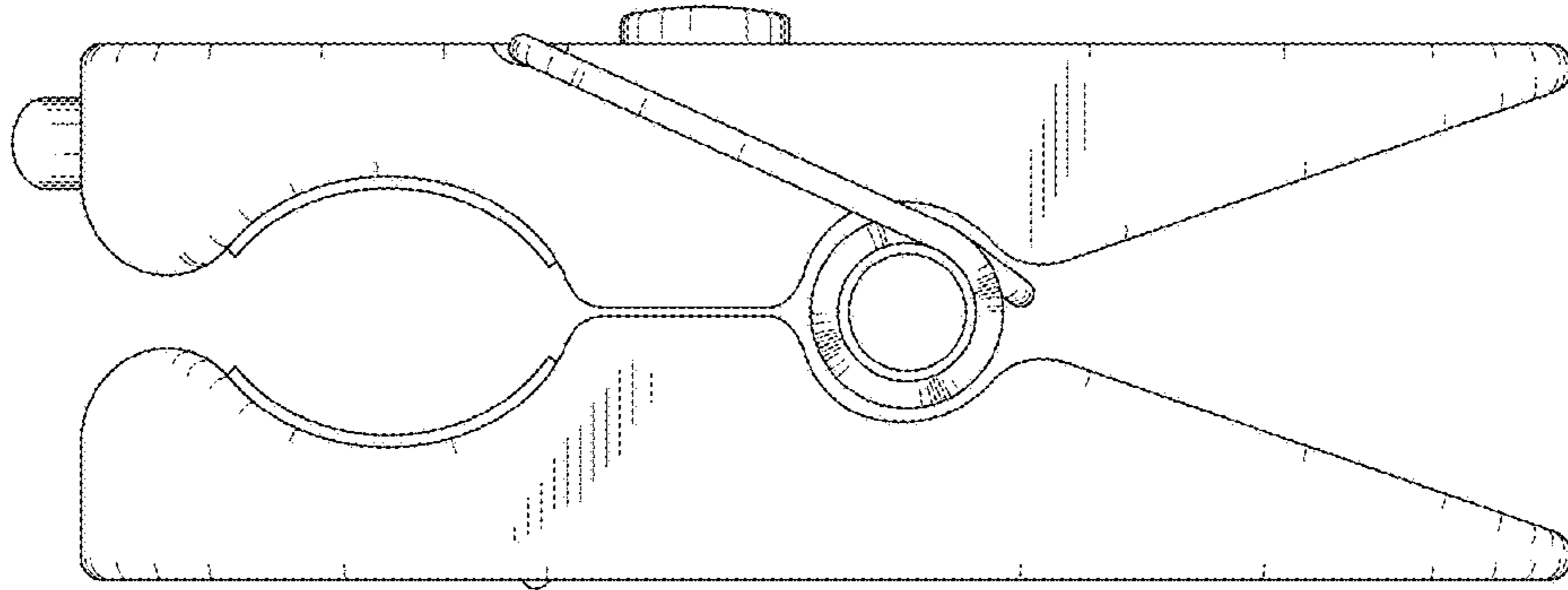


FIG. 1

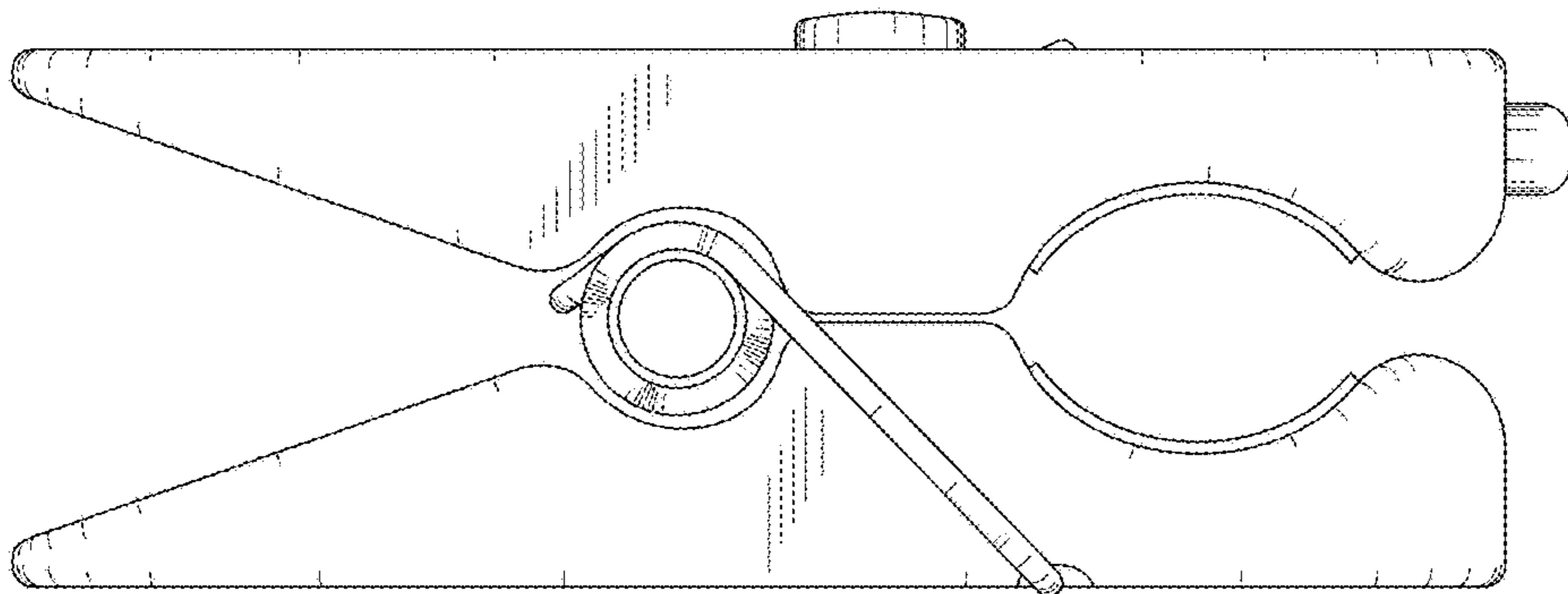


FIG. 2

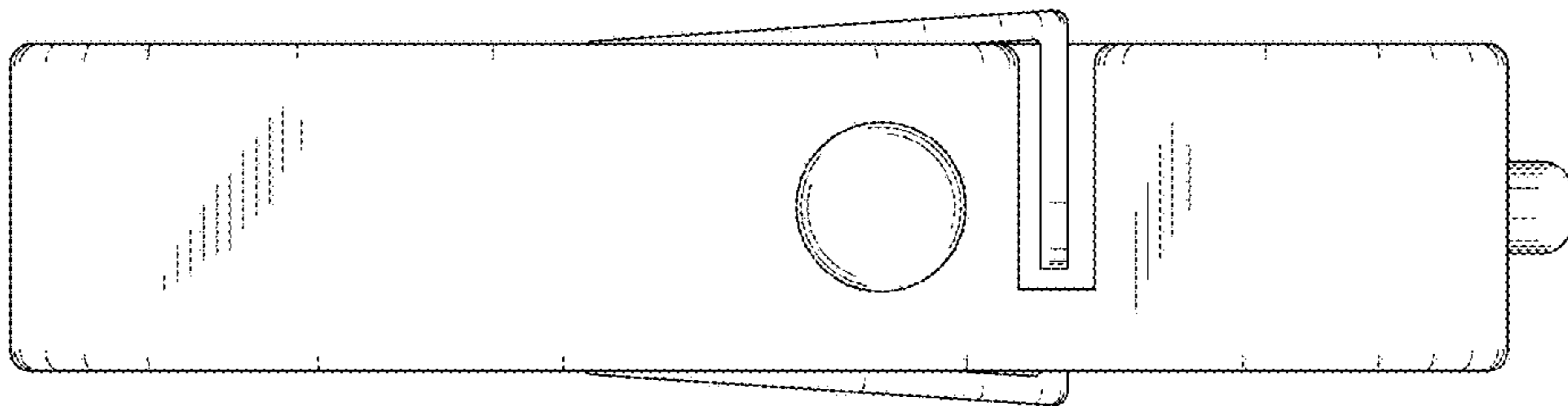


FIG. 3

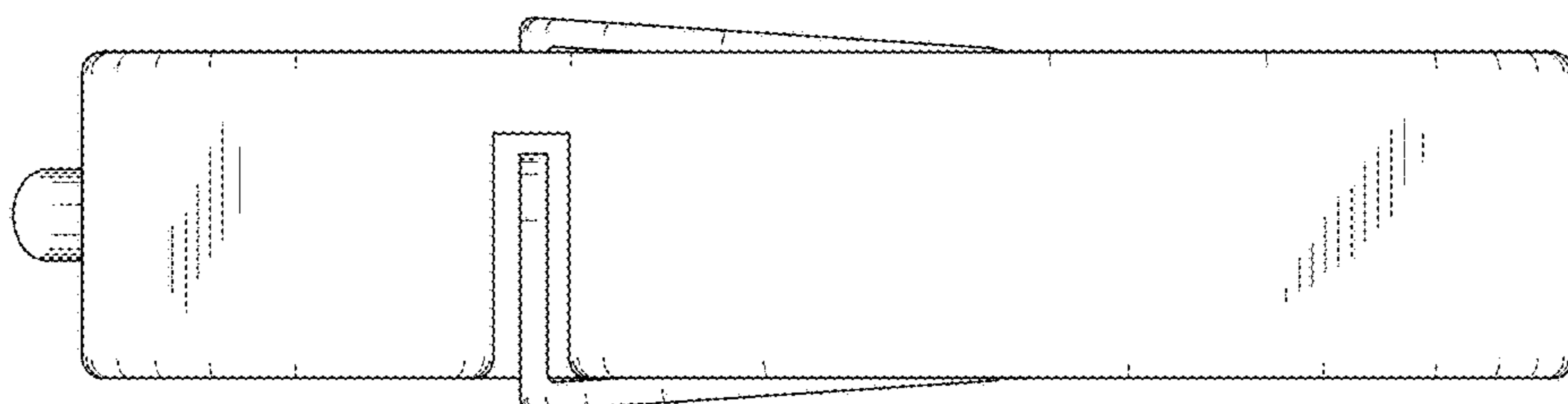


FIG. 4

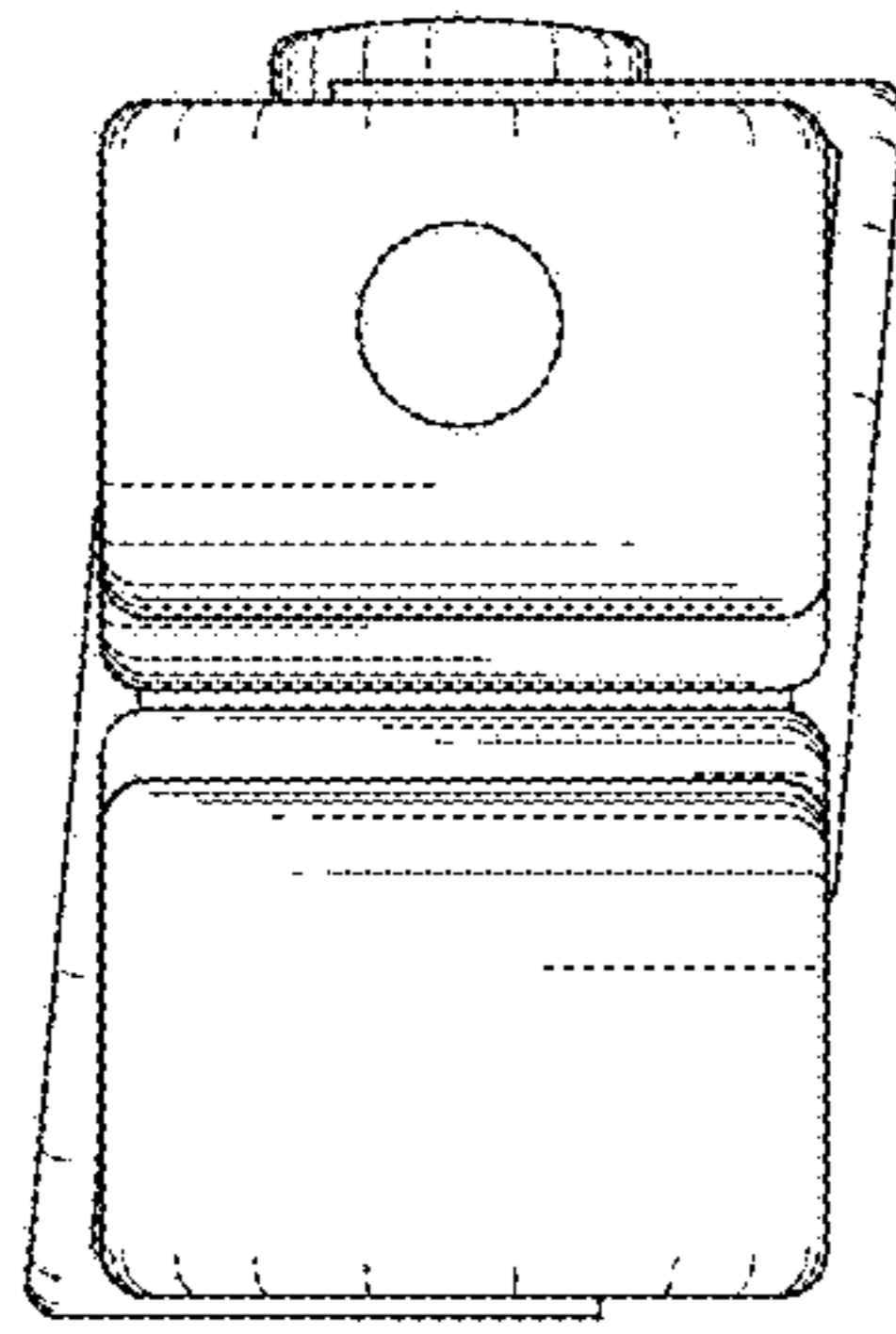


FIG. 5

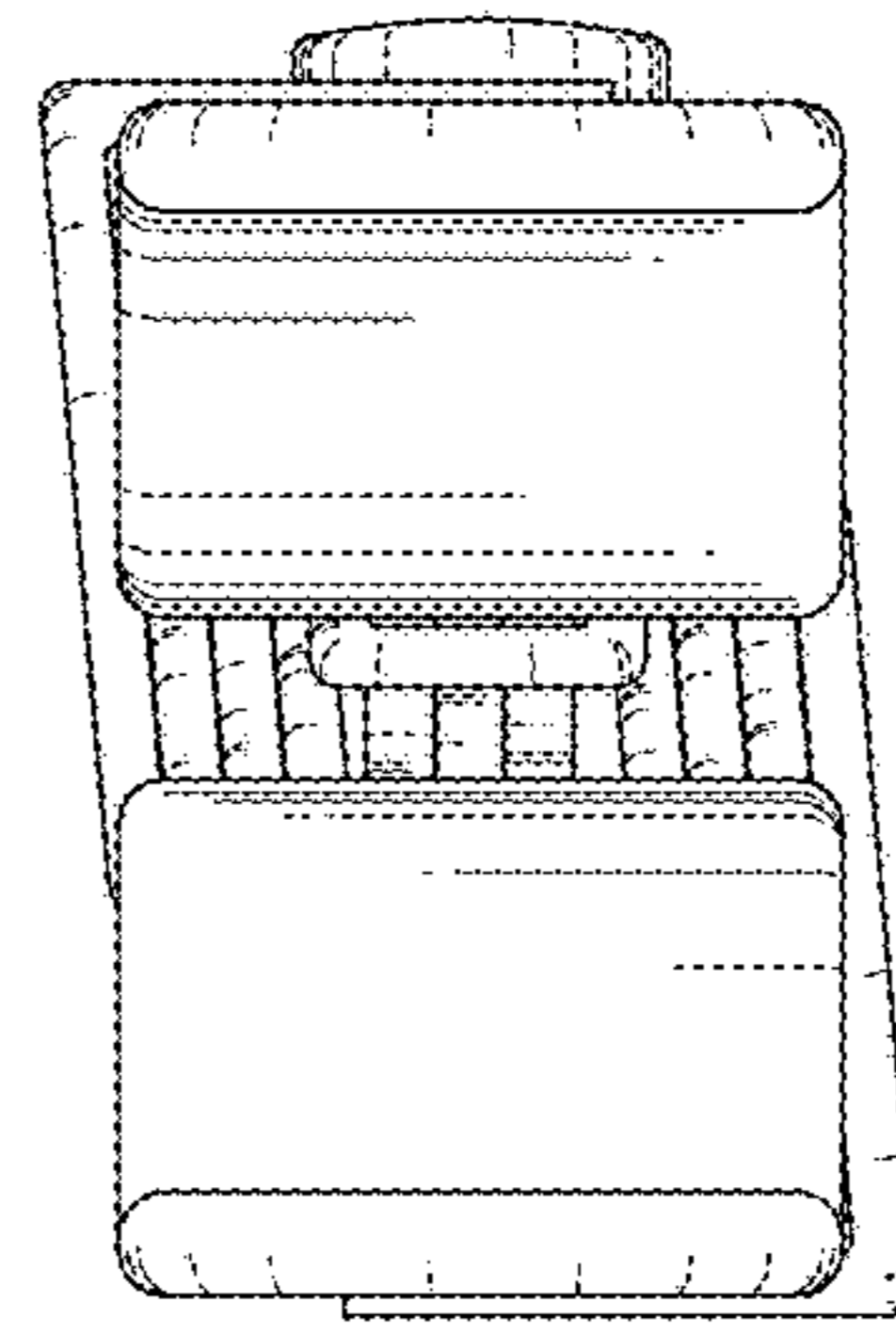


FIG. 6

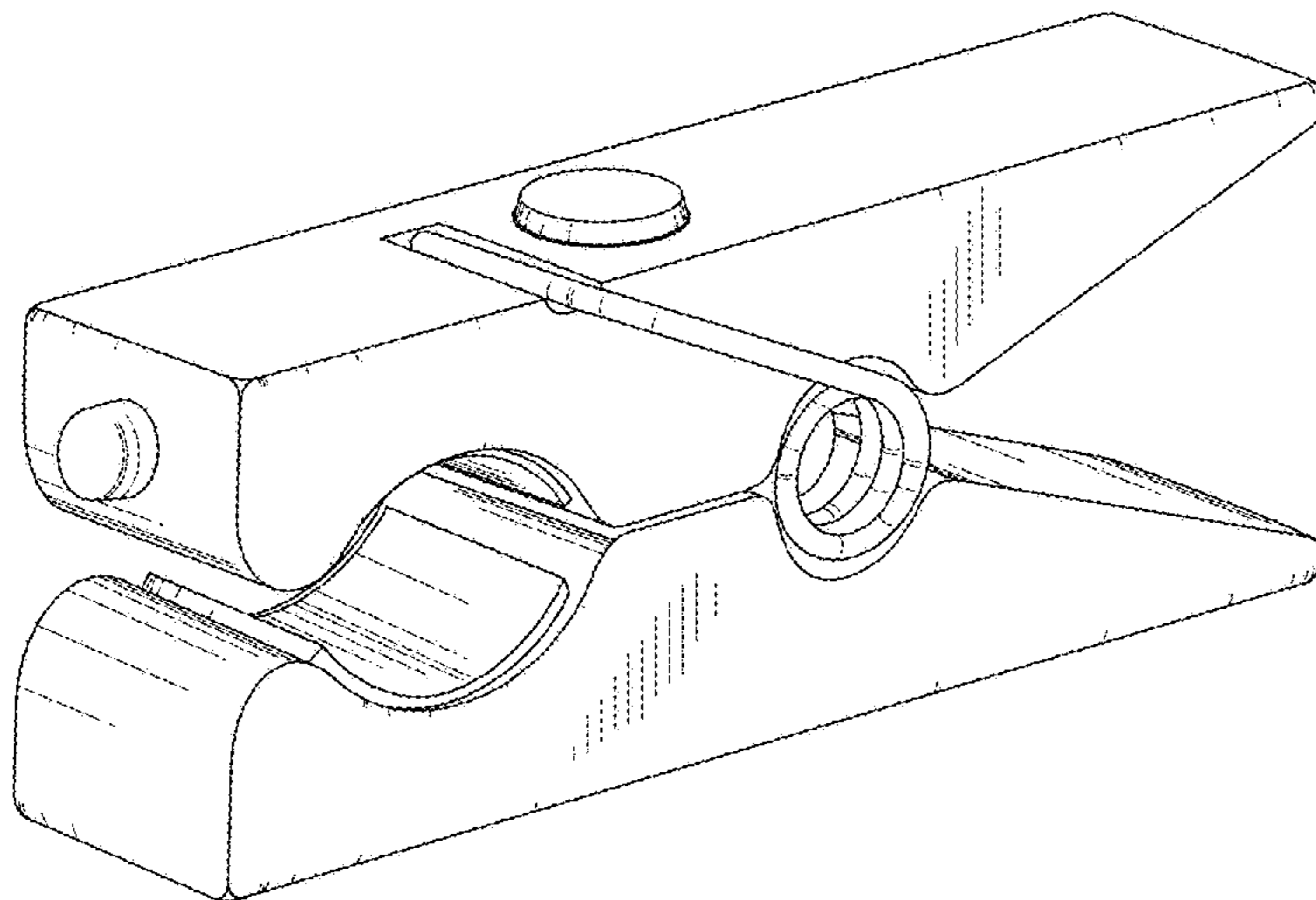


FIG. 7

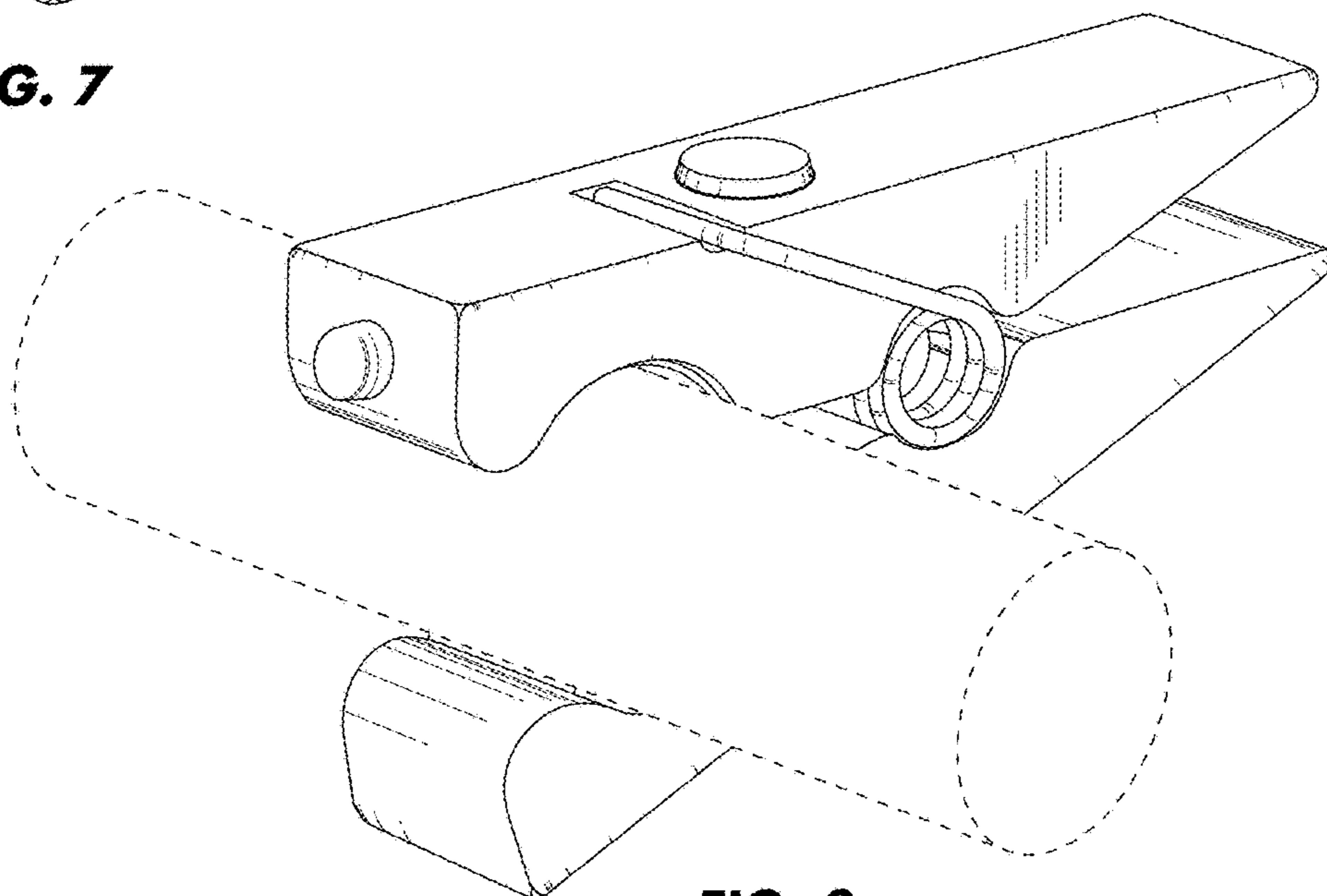


FIG. 8