



US00D811637S

(12) **United States Design Patent**
Feustel et al.

(10) **Patent No.:** **US D811,637 S**
(45) **Date of Patent:** **** Feb. 27, 2018**

(54) **FLASHLIGHT**

(71) Applicant: **LED Lenser Corp. Ltd.**, Yangjiang (CN)

(72) Inventors: **Stefan Feustel**, Berlin (DE); **Andre Kunzendorf**, Wuppertal (DE)

(73) Assignee: **LED Lenser Corp. Ltd.**, Yangjiang (CN)

(**) Term: **14 Years**

(21) Appl. No.: **29/508,774**

(22) Filed: **Nov. 11, 2014**

(51) **LOC (11) Cl.** **26-02**

(52) **U.S. Cl.**
USPC **D26/49**

(58) **Field of Classification Search**
USPC D26/37, 38, 46, 49, 39, 51, 44, 45;
362/183, 184, 194-196, 200-208, 253
CPC F21L 2003/00; F21L 4/00; F21L 4/005;
F21L 4/02; F21L 4/025; F21L 4/027;
F21L 4/04; F21L 4/08; F21L 2005/00;
F21L 7/00; F21L 11/00; F21L 13/00;
F21L 13/04; F21L 13/08; F21L 14/02;
F21L 17/00; F21L 19/00

See application file for complete search history.

(56) **References Cited**

U.S. PATENT DOCUMENTS

D544,621 S * 6/2007 Kim D26/37
D554,281 S * 10/2007 Bushee D26/37

D621,538 S * 8/2010 Bushee D26/49
D645,592 S * 9/2011 Brands D26/49
D659,869 S * 5/2012 Prieto D26/49
D660,488 S * 5/2012 Ye D26/49
D684,717 S * 6/2013 Hicks D26/49
D687,987 S * 8/2013 Ancona D26/46
D703,358 S * 4/2014 Shiu D26/49
D703,852 S * 4/2014 Kamm D26/49
D713,576 S * 9/2014 Popper D26/113
D725,302 S * 3/2015 Popper D26/49
D732,721 S * 6/2015 Popper D26/49
D748,834 S * 2/2016 Huang D26/38
D749,766 S * 2/2016 Nguyen D26/49

* cited by examiner

Primary Examiner — Lakiya Rogers

Assistant Examiner — Carissa C Fitts

(74) *Attorney, Agent, or Firm* — Alston & Bird LLP

(57) **CLAIM**

The ornamental design for a flashlight, as shown and described.

DESCRIPTION

FIG. 1 is a perspective view of a flashlight according to our new design;

FIG. 2 is a top side elevation view thereof;

FIG. 3 is a bottom plan view thereof;

FIG. 4 is a right side elevation view thereof;

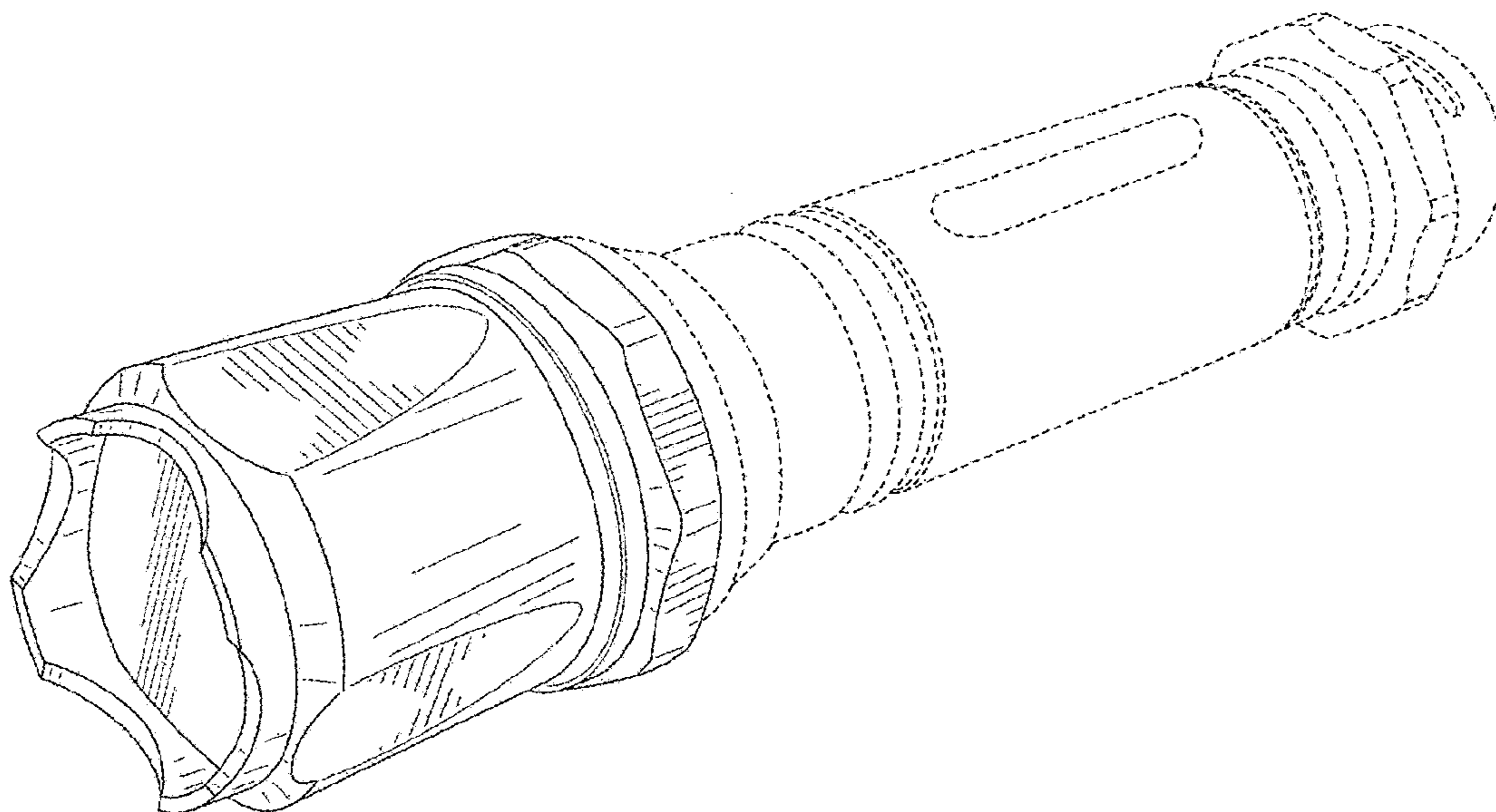
FIG. 5 is a left side elevation view thereof;

FIG. 6 is a front elevation view thereof; and,

FIG. 7 is a back elevation view thereof.

The broken line showing represents unclaimed portions of the article and forms no part of the claimed design.

1 Claim, 4 Drawing Sheets



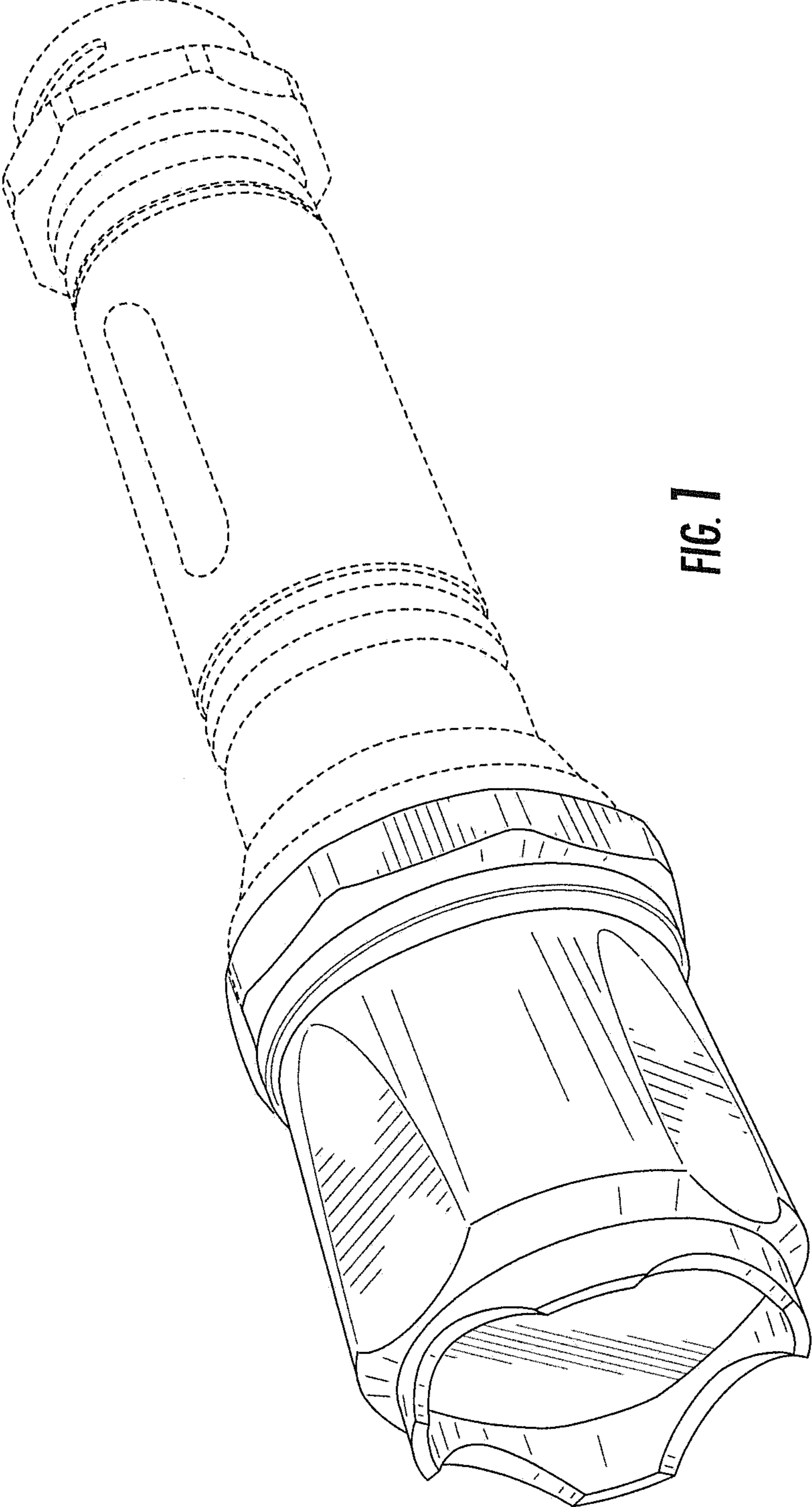


FIG. 1

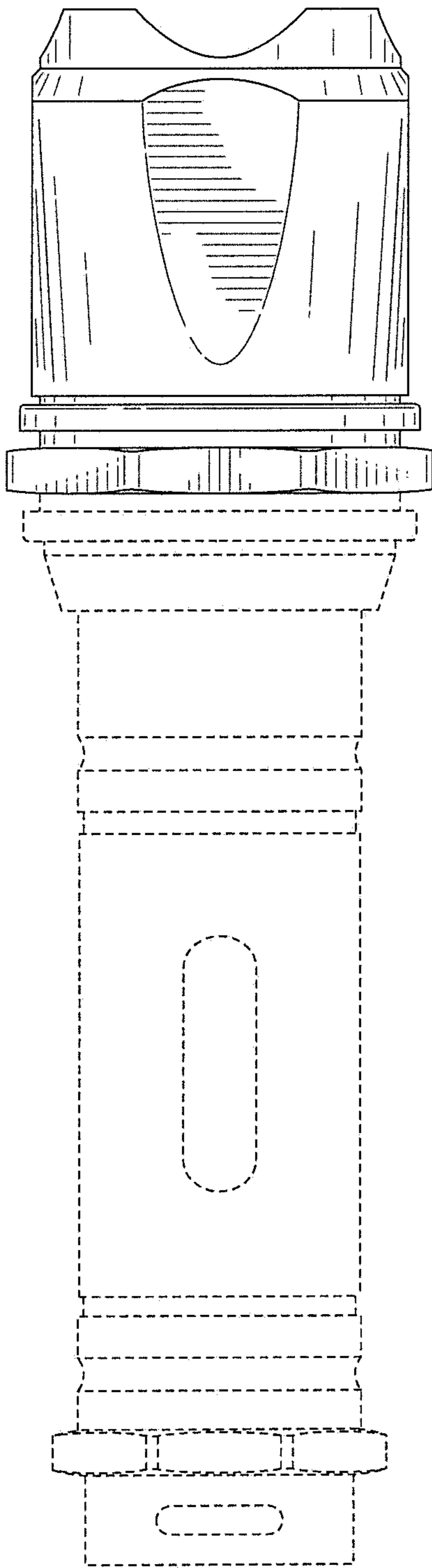


FIG. 2

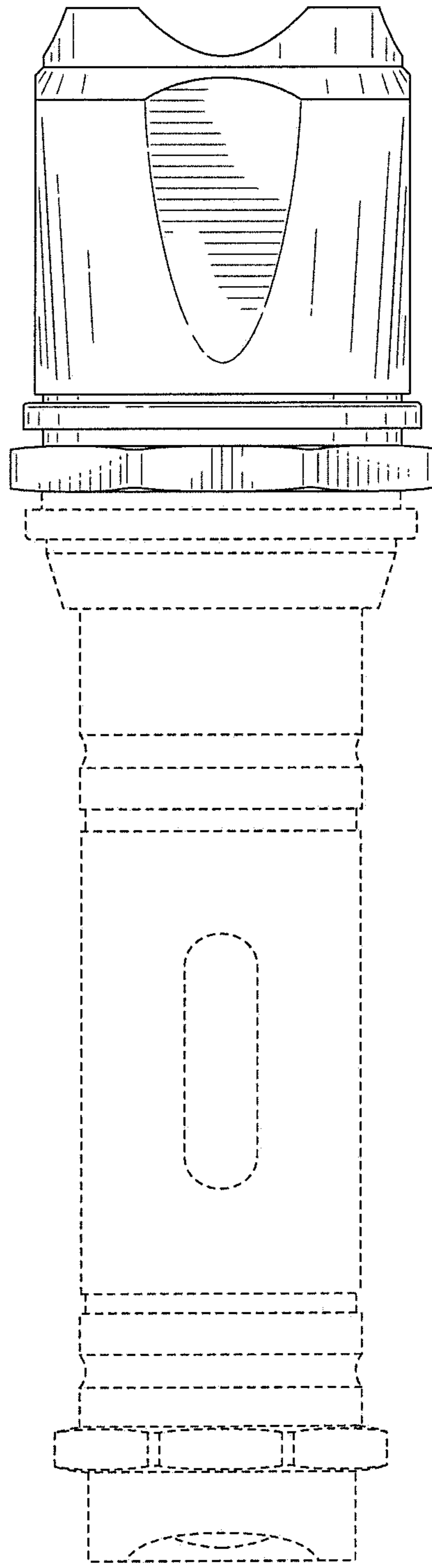


FIG. 3

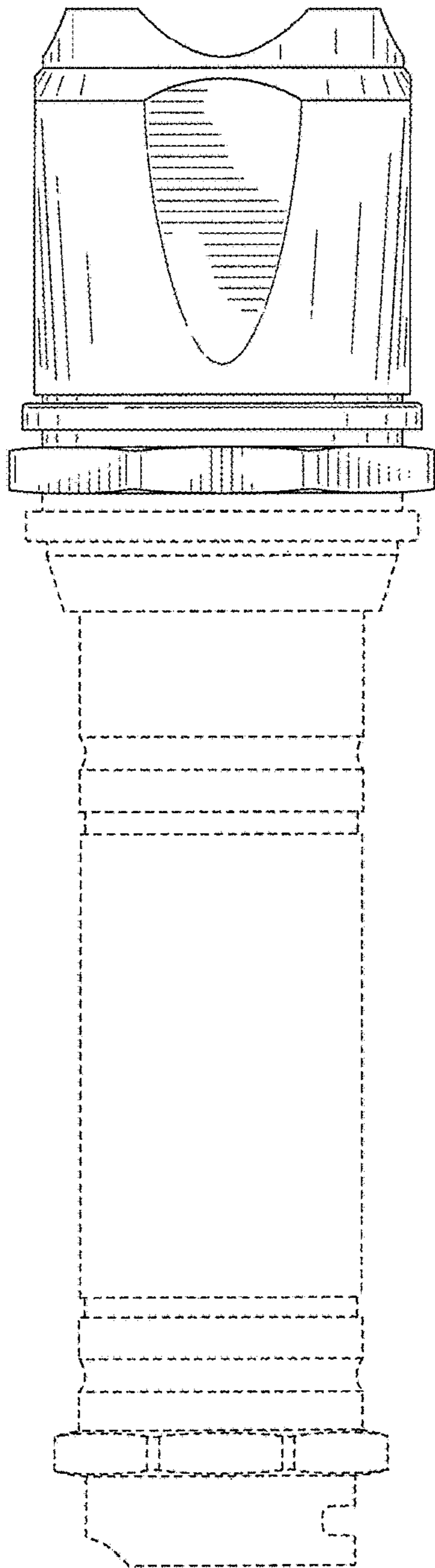


FIG. 4

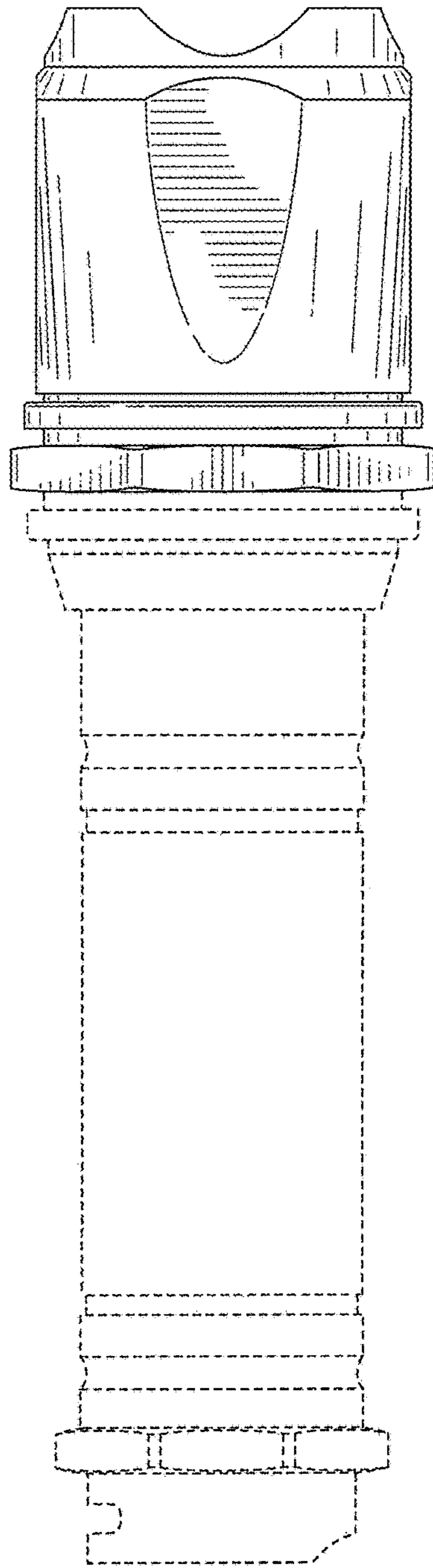


FIG. 5

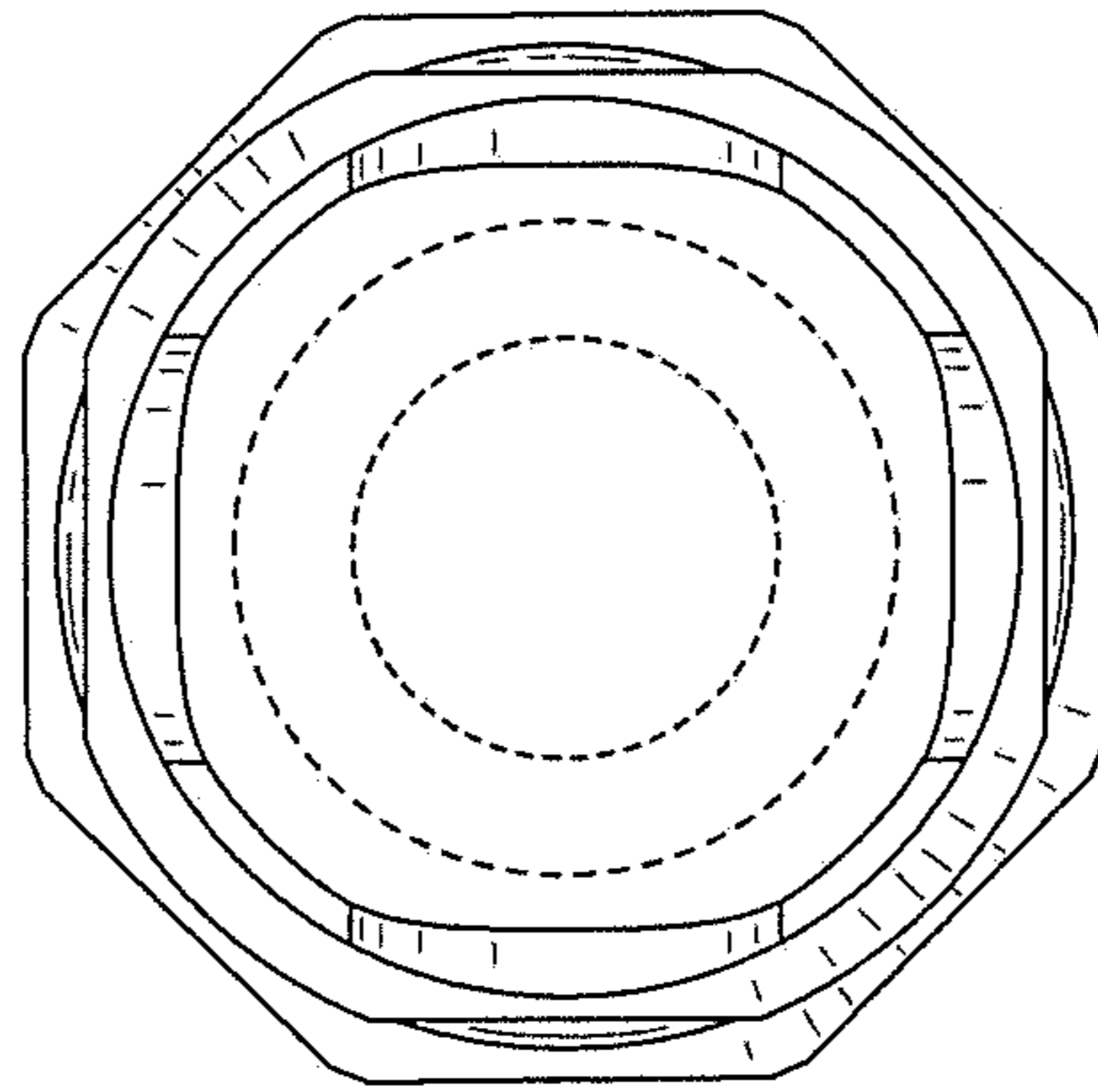


FIG. 6

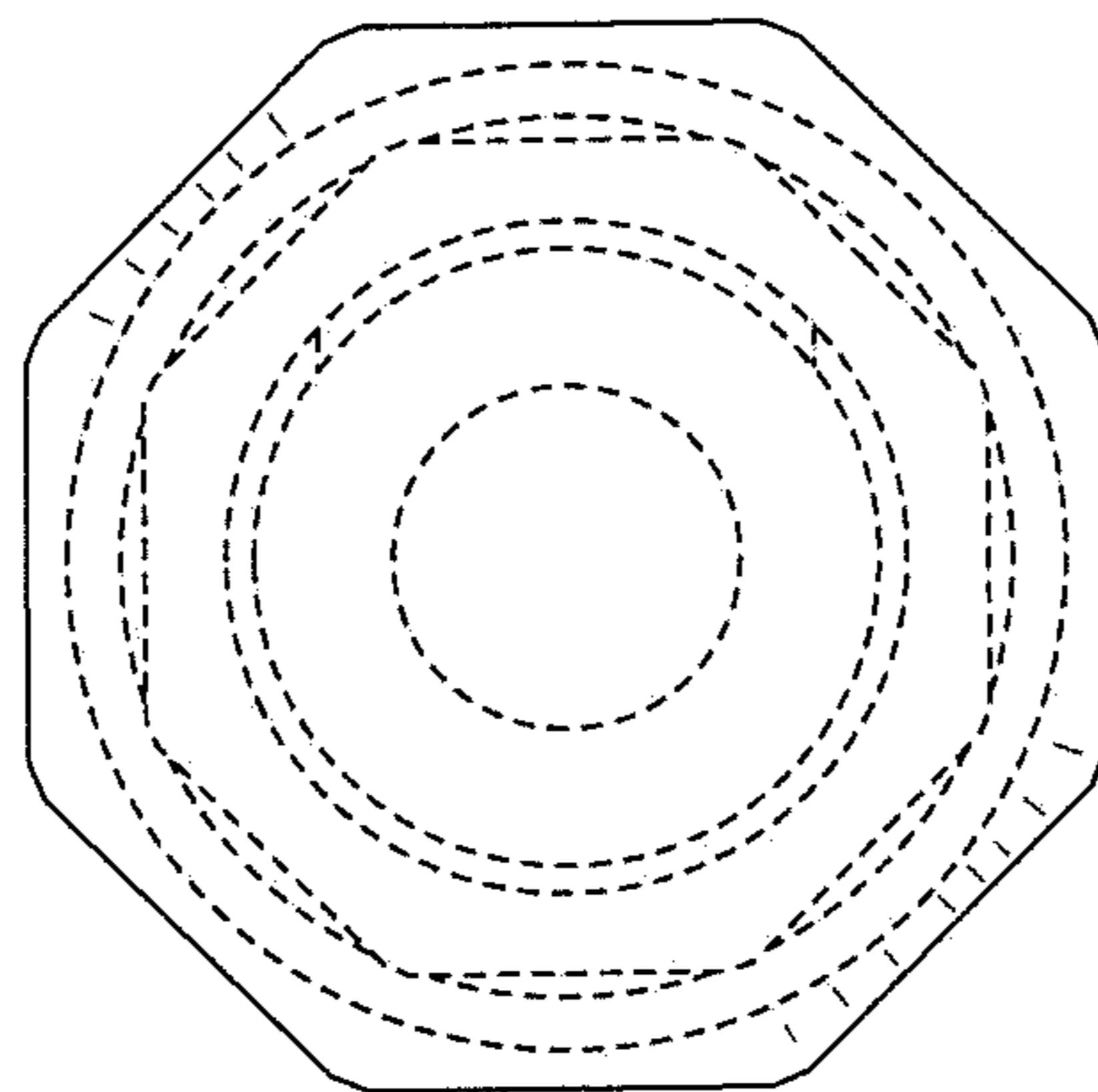


FIG. 7