



US00D811636S

(12) **United States Design Patent**  
**Galli et al.**

(10) **Patent No.:** **US D811,636 S**

(45) **Date of Patent:** **\*\* Feb. 27, 2018**

(54) **FLASHLIGHT**

(71) Applicant: **Nite Ize, Inc.**, Boulder, CO (US)

(72) Inventors: **Robert D. Galli**, North Kingstown, RI (US); **Bowden Ormsbee**, Longmont, CO (US); **Robin Liang**, Yangjiang (CN)

(73) Assignee: **Nite Ize, Inc.**, Boulder, CO (US)

(\*\*) Term: **14 Years**

(21) Appl. No.: **29/498,604**

(22) Filed: **Aug. 5, 2014**

(51) **LOC (11) Cl.** ..... **26-02**

(52) **U.S. Cl.**  
USPC ..... **D26/49**

(58) **Field of Classification Search**  
USPC ..... D26/46, 49, 37, 38, 40, 51  
CPC ..... F21V 33/00; F21V 14/025; F21V 21/406;  
F21Y 2101/02; F21L 17/00; F21L 13/08  
See application file for complete search history.

(56) **References Cited**

**U.S. PATENT DOCUMENTS**

D419,704 S	*	1/2000	Ting	.....	D26/37
D450,873 S	*	11/2001	Opolka	.....	D19/173
D473,961 S	*	4/2003	Galli	.....	D26/49
D548,863 S	*	8/2007	Shiu	.....	D26/37

D601,737 S	*	10/2009	Swan	.....	D26/49
D649,275 S	*	11/2011	Crawford	.....	D26/49
D655,027 S	*	2/2012	Milz	.....	D26/49
D658,322 S	*	4/2012	Wu	.....	D26/37
D673,315 S	*	12/2012	Milz	.....	D26/49
D676,170 S	*	2/2013	Feng	.....	D26/38
D699,379 S	*	2/2014	Wu	.....	D26/38
D729,963 S	*	5/2015	Windom	.....	D26/38

\* cited by examiner

*Primary Examiner* — Lakiya Rogers

*Assistant Examiner* — Carissa C Fitts

(74) *Attorney, Agent, or Firm* — Haynes and Boone, LLP

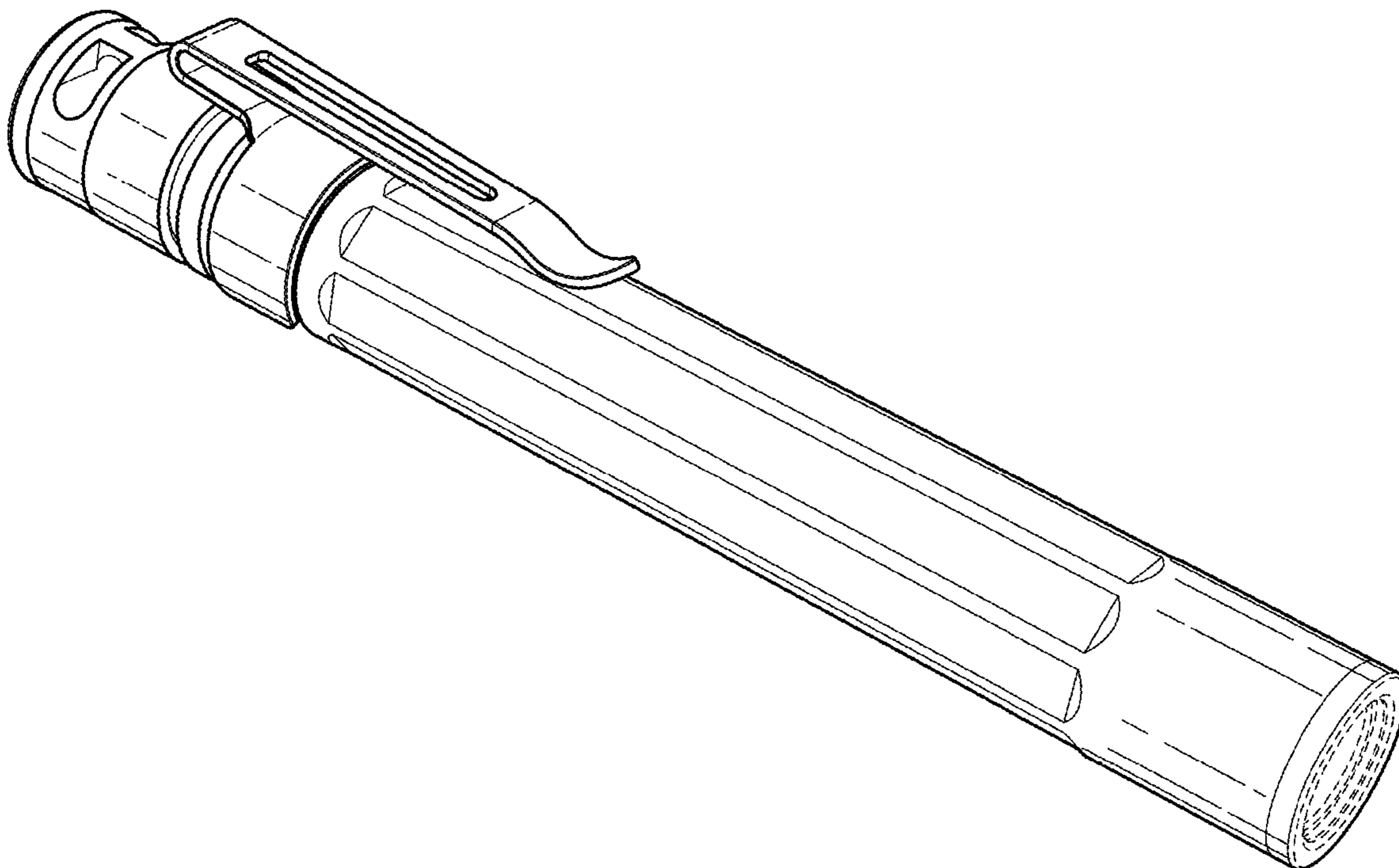
(57) **CLAIM**

The ornamental design for a flashlight, as shown and described.

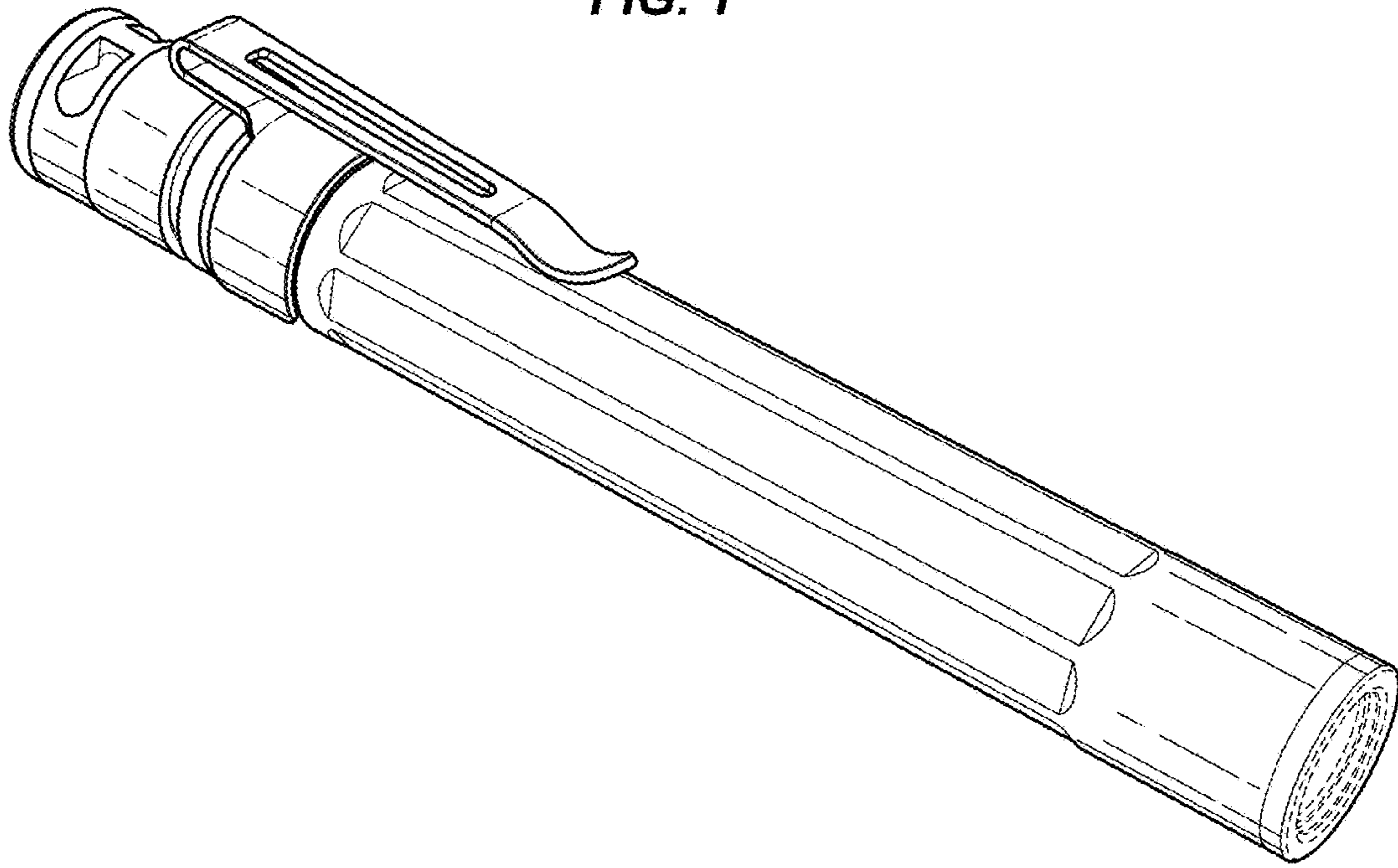
**DESCRIPTION**

FIG. 1 is a left front perspective view of a flashlight; FIG. 2 is a right front perspective view of a flashlight; FIG. 3 is a front view of a flashlight; FIG. 4 is a rear view of a flashlight; FIG. 5 is a right view of a flashlight; FIG. 6 is a left view of a flashlight; FIG. 7 is a top view of a flashlight; and, FIG. 8 is a bottom view of a flashlight. The broken line shown is for environmental purposes only and forms no part of the claimed design.

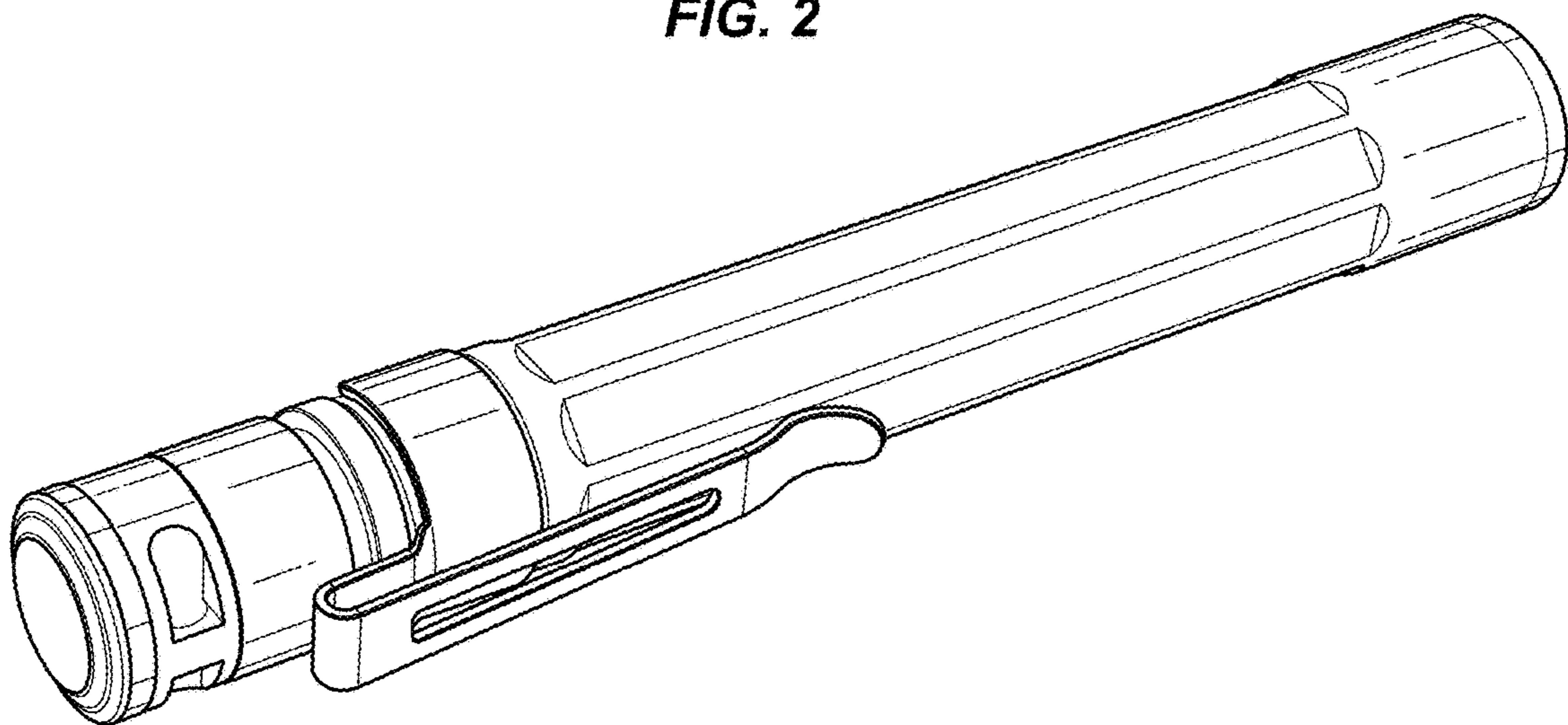
**1 Claim, 4 Drawing Sheets**



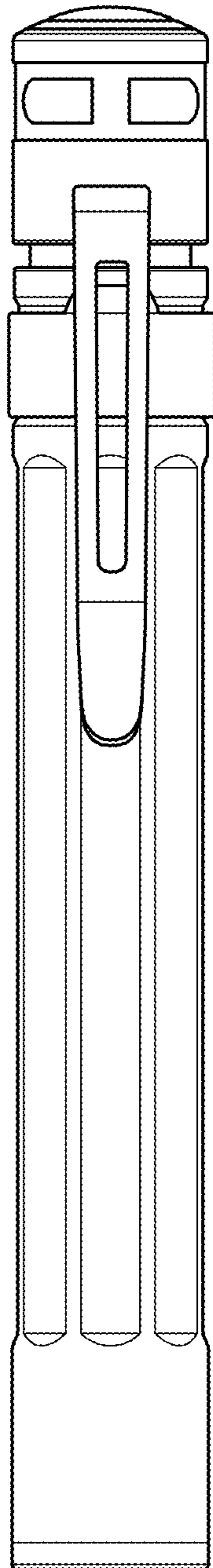
**FIG. 1**



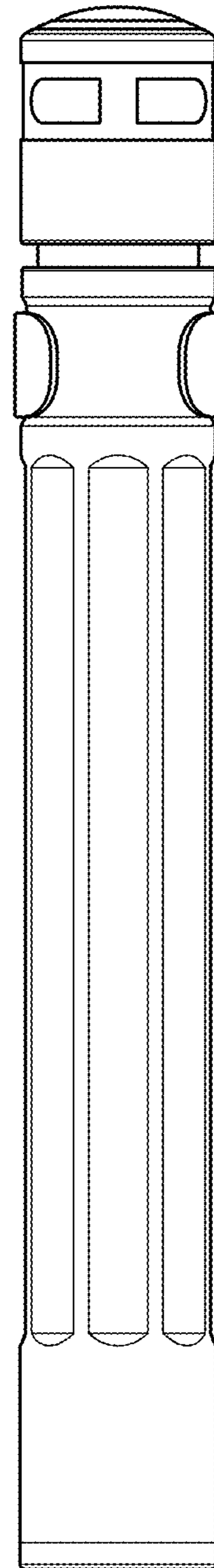
**FIG. 2**



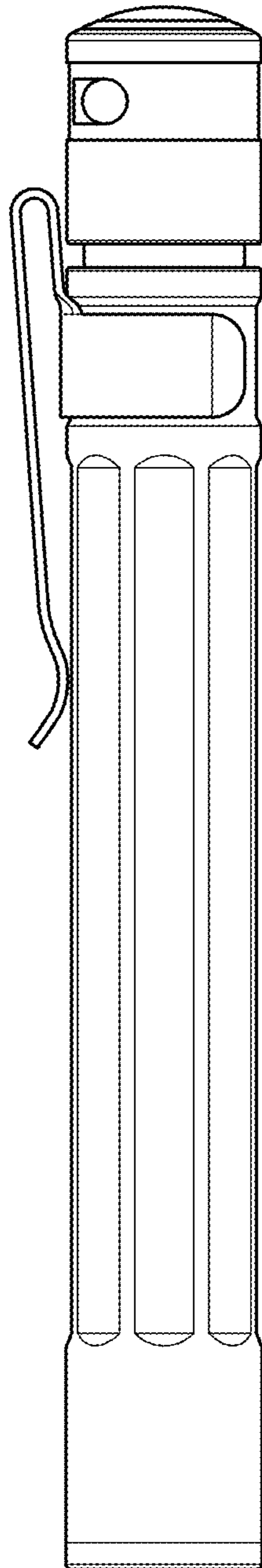
**FIG. 3**



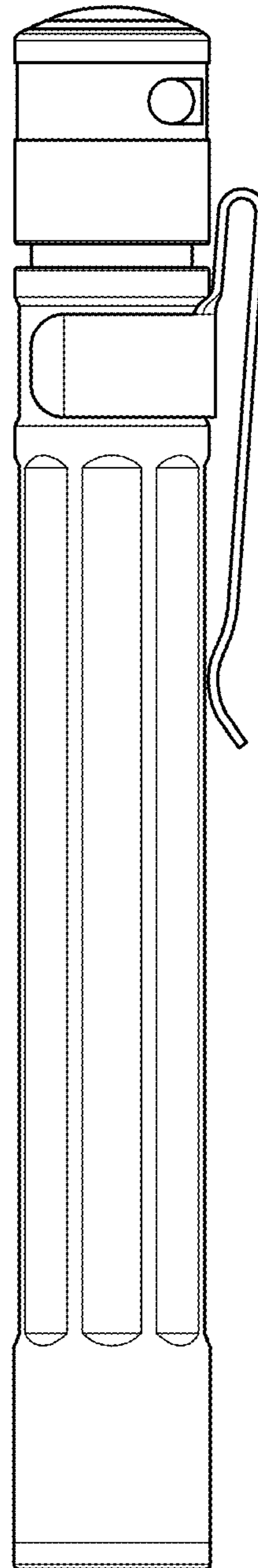
**FIG. 4**



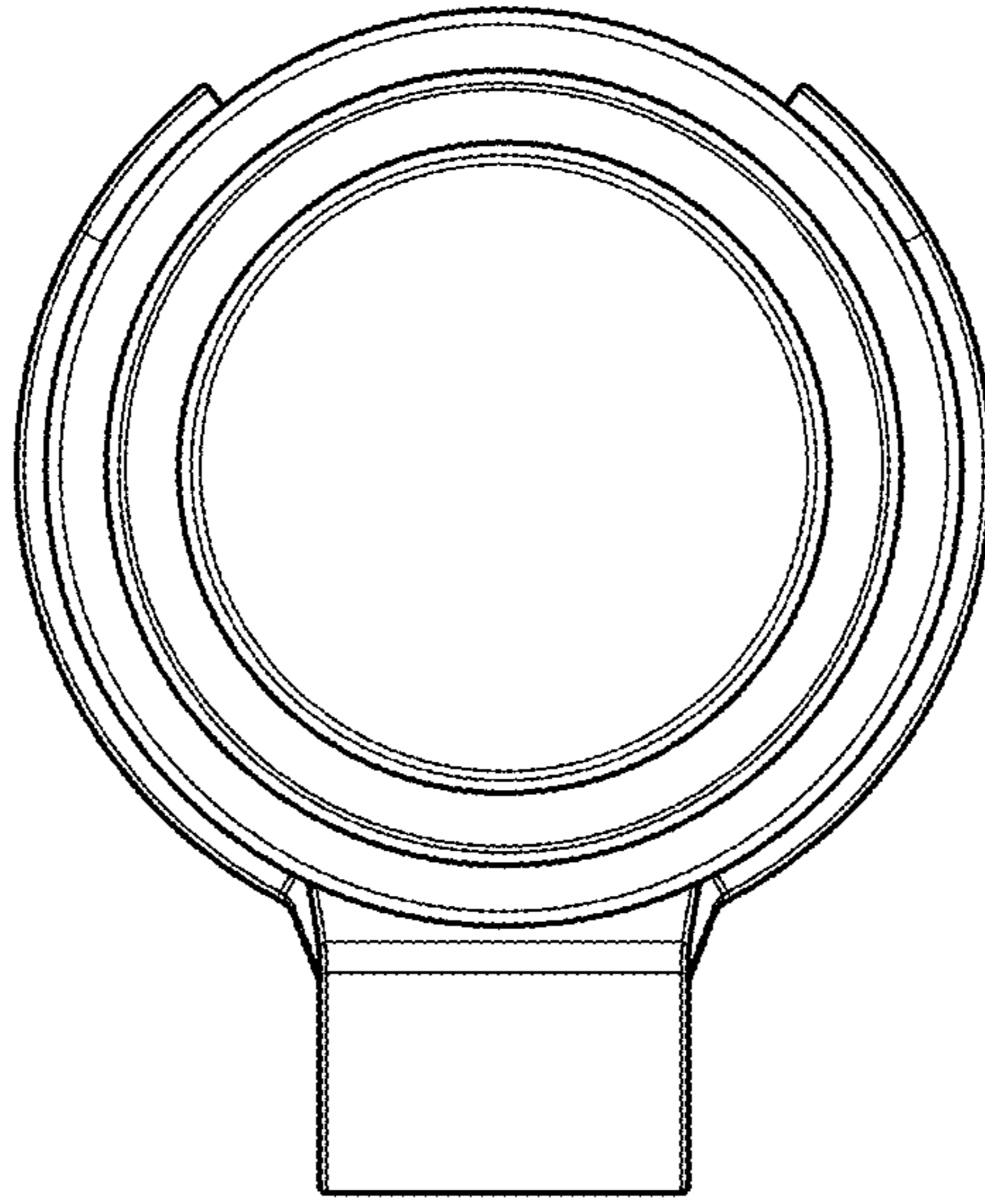
**FIG. 5**



**FIG. 6**



**FIG. 7**



**FIG. 8**

