



US00D811635S

(12) **United States Design Patent**
Urry et al.

(10) **Patent No.:** **US D811,635 S**
(45) **Date of Patent:** **** Feb. 27, 2018**

(54) **MULTI-SECTION PORTABLE ELECTRONIC TORCH**

(71) Applicant: **Zyntony, Inc.**, Sandy, UT (US)

(72) Inventors: **Robin Urry**, Draper, UT (US); **Roger Johnsen**, Holladay, UT (US); **Russell Scott**, West Jordan, UT (US); **Jay Davis**, Pleasant Grove, UT (US)

(73) Assignee: **Zyntony, Inc.**, Sandy, UT (US)

(**) Term: **15 Years**

(21) Appl. No.: **29/529,406**

(22) Filed: **Jun. 5, 2015**

(51) **LOC (11) Cl.** **26-02**

(52) **U.S. Cl.**
USPC **D26/42**

(58) **Field of Classification Search**
USPC D26/37, 38, 39, 40, 41, 42, 45, 51
(Continued)

(56) **References Cited**

U.S. PATENT DOCUMENTS

D333,190 S * 2/1993 Waldmann D26/42
D504,968 S * 5/2005 Bayat D26/42
(Continued)

Primary Examiner — Lakiya Rogers

Assistant Examiner — Carissa C Fitts

(74) *Attorney, Agent, or Firm* — Atlas Intellectual Property Law; Travis Banta

(57) **CLAIM**

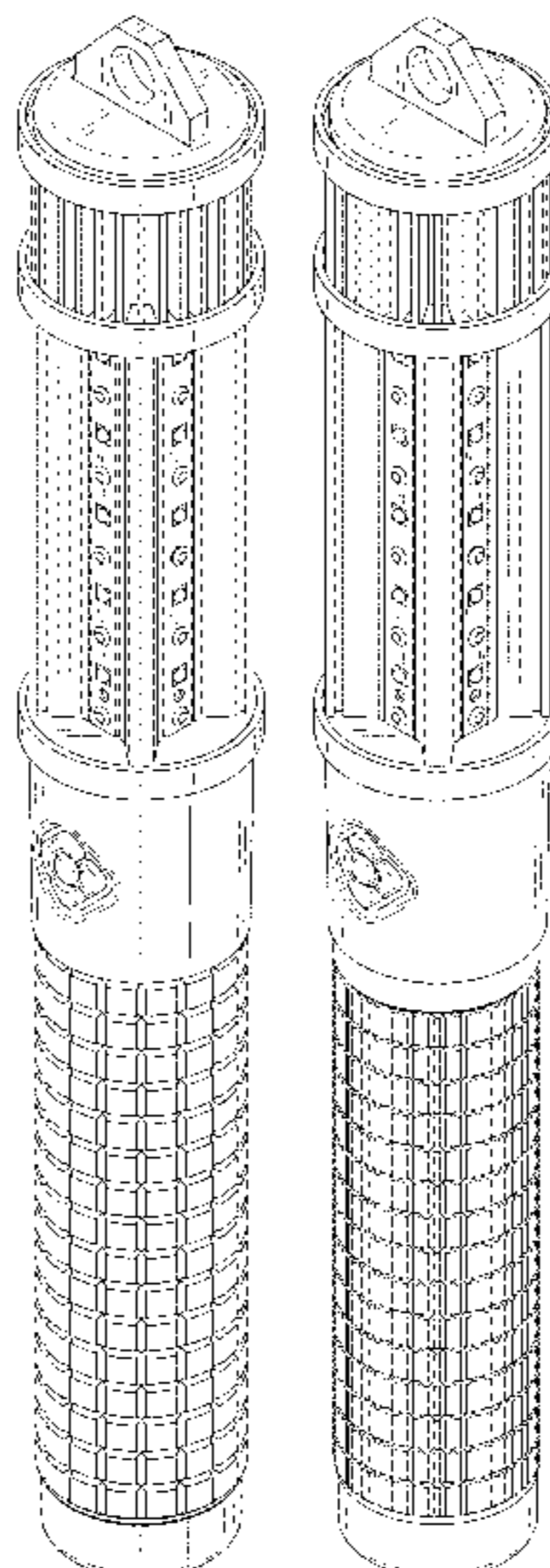
The ornamental design for a multi-section portable electronic torch, as shown and described.

DESCRIPTION

FIG. 1 is a top to bottom perspective view of a multi-section portable electronic torch showing our new design, where the multi-section portable electronic torch includes a first textured handle;

FIG. 2 is bottom to top perspective view thereof;
FIG. 3 is a front side view thereof;
FIG. 4 is a back side view thereof;
FIG. 5 is a left side view thereof;
FIG. 6 is a right side view thereof;
FIG. 7 is a top view thereof;
FIG. 8 is a bottom view thereof;
FIG. 9 is a top to bottom perspective view of a first alternate configuration where the multi-section portable electronic torch includes a second textured handle;
FIG. 10 is a bottom to top perspective view of the first alternate configuration;
FIG. 11 is a front side view of the first alternate configuration;
FIG. 12 is a back side view of the first alternate configuration;
FIG. 13 is a left side view of the first alternate configuration;
FIG. 14 is a right side view of the first alternate configuration;
FIG. 15 is a top view of the first alternate configuration;
FIG. 16 is a bottom view of the first alternate configuration;
FIG. 17 is a top to bottom perspective view of a second alternate configuration, where the multi-section portable electronic torch includes a third textured handle;
FIG. 18 is a bottom to top perspective view of the second alternate configuration;
FIG. 19 is a front side view of the second alternate configuration;
FIG. 20 is a back side view of the second alternate configuration;
FIG. 21 is a left side view of the second alternate configuration;
FIG. 22 is a right side view of the second alternate configuration;
FIG. 23 is a top view of the second alternate configuration;
and,
FIG. 24 is a bottom view of the second alternate configuration.

1 Claim, 21 Drawing Sheets



(58) **Field of Classification Search**

CPC F21L 2005/00; F21L 7/00; F21L 11/00;
F21L 13/00; F21L 13/04; F21L 13/08;
F21L 14/02; F21L 17/00; F21L 19/00;
F21L 25/00

See application file for complete search history.

(56) **References Cited**

U.S. PATENT DOCUMENTS

D505,217	S	*	5/2005	Bayat	D26/42
D556,926	S	*	12/2007	Thirouin	D26/37
D567,977	S	*	4/2008	Jianwei	D26/42
D567,978	S	*	4/2008	Jianwei	D26/42
D593,695	S	*	6/2009	Levine	D26/42
D606,218	S	*	12/2009	Jiang	D26/42
D620,627	S	*	7/2010	Kovacik	D26/42
D637,749	S	*	5/2011	Bayat	D26/49
D640,400	S	*	6/2011	Huang	D26/42
D648,054	S	*	11/2011	Zhuang	D26/37
D655,431	S	*	3/2012	Leen	D26/42
D672,894	S	*	12/2012	Bayat	D26/42
D691,310	S	*	10/2013	Zhou	D26/37
D694,446	S	*	11/2013	Zhou	D26/42
D698,056	S	*	1/2014	Forbes	D26/42
D701,986	S	*	4/2014	Goeckel	D26/42
D711,573	S	*	8/2014	Payne	D26/42
D734,519	S	*	7/2015	Shen	D26/49
D757,973	S	*	5/2016	Zhang	D26/44
D760,928	S	*	7/2016	Bao	D26/24
D765,898	S	*	9/2016	Caito	D26/42
D767,183	S	*	9/2016	Caito	D26/42

* cited by examiner

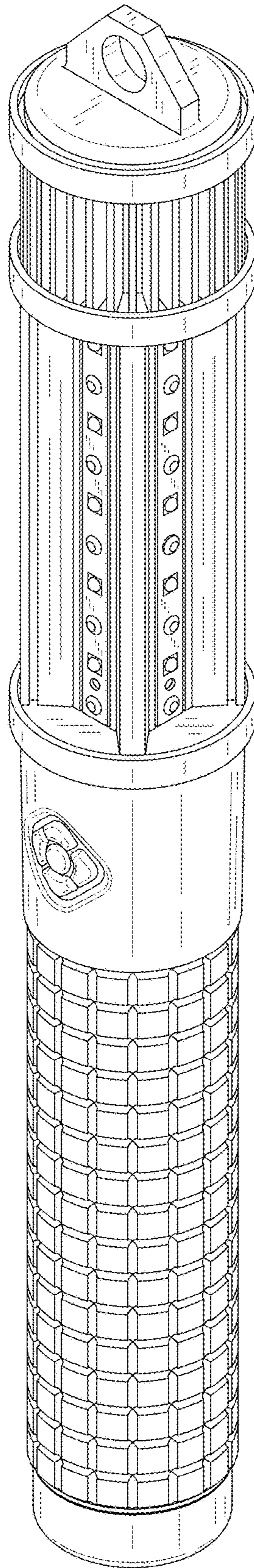


FIG. 1

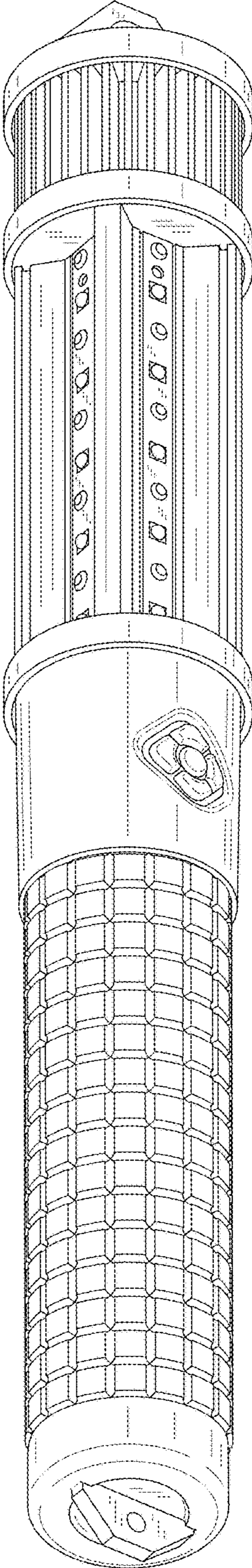


FIG. 2

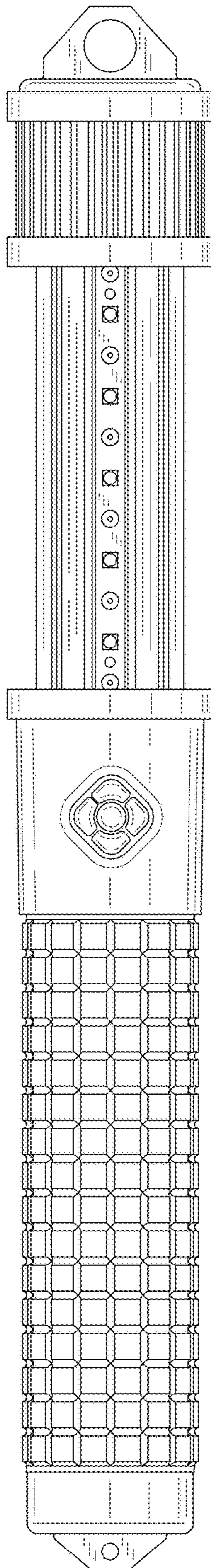


FIG. 3

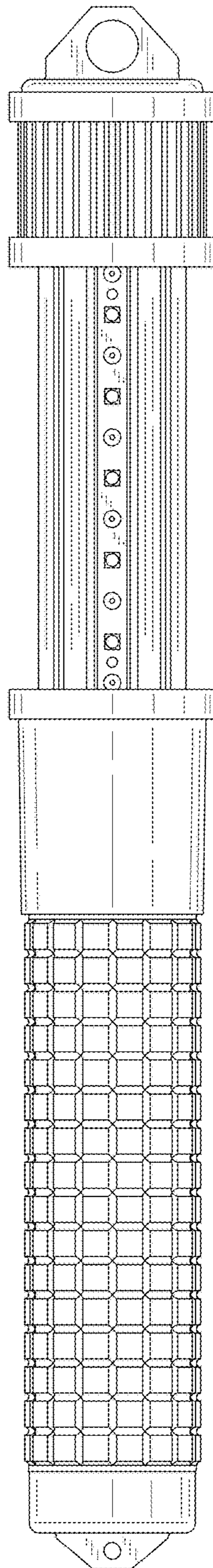


FIG. 4

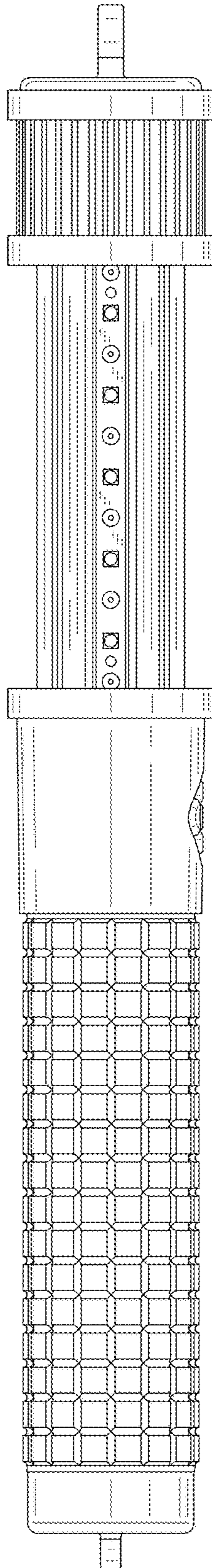


FIG. 5

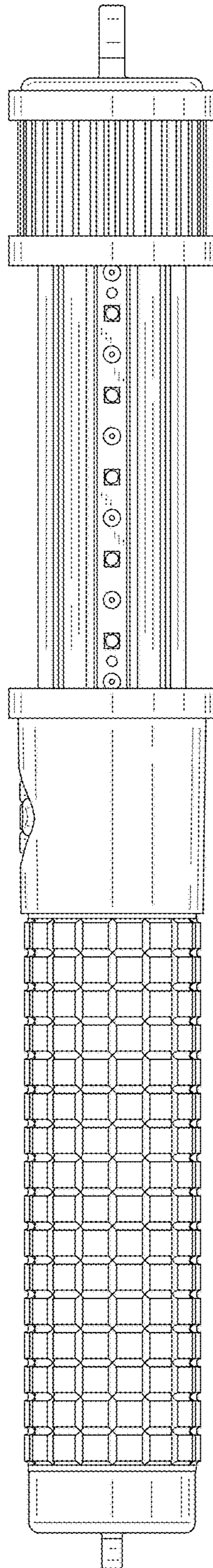


FIG. 6

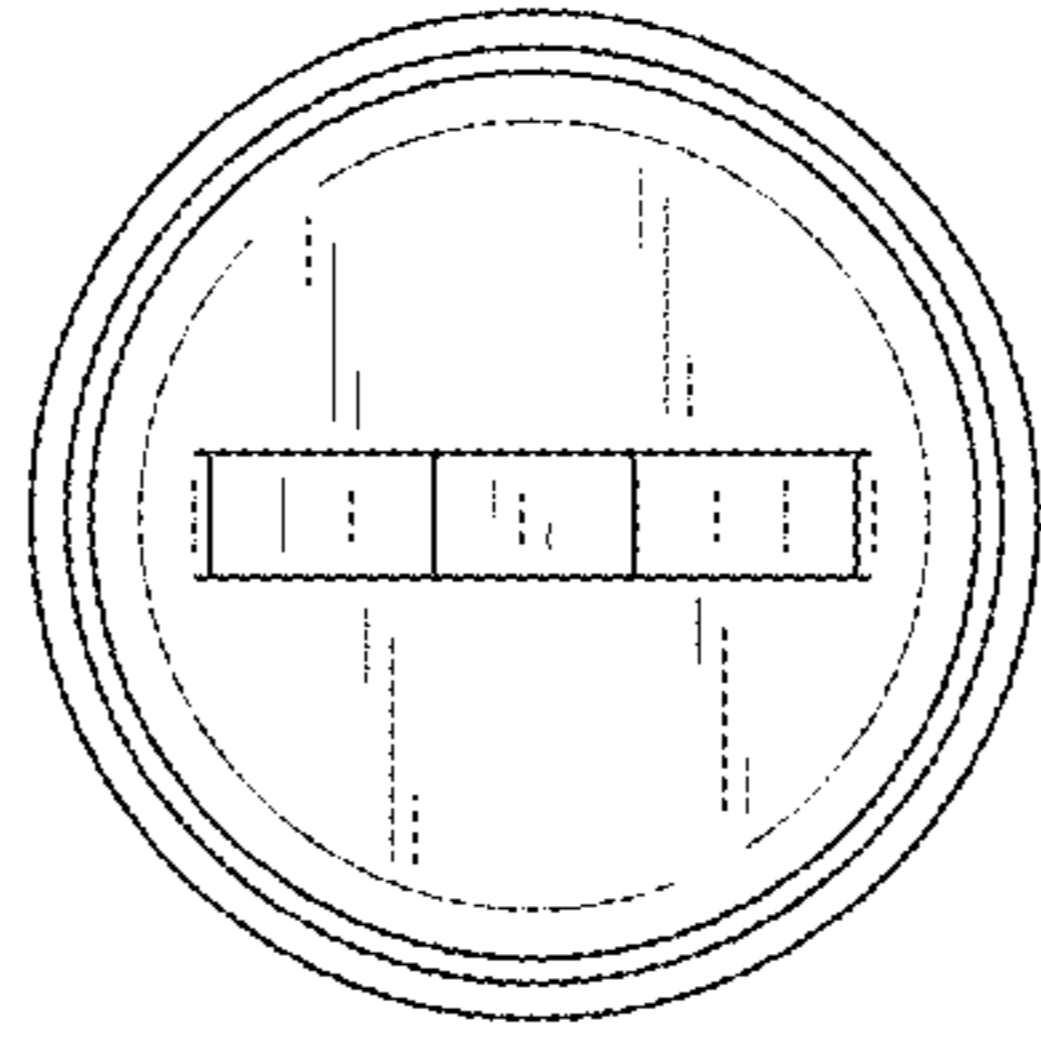


FIG. 7

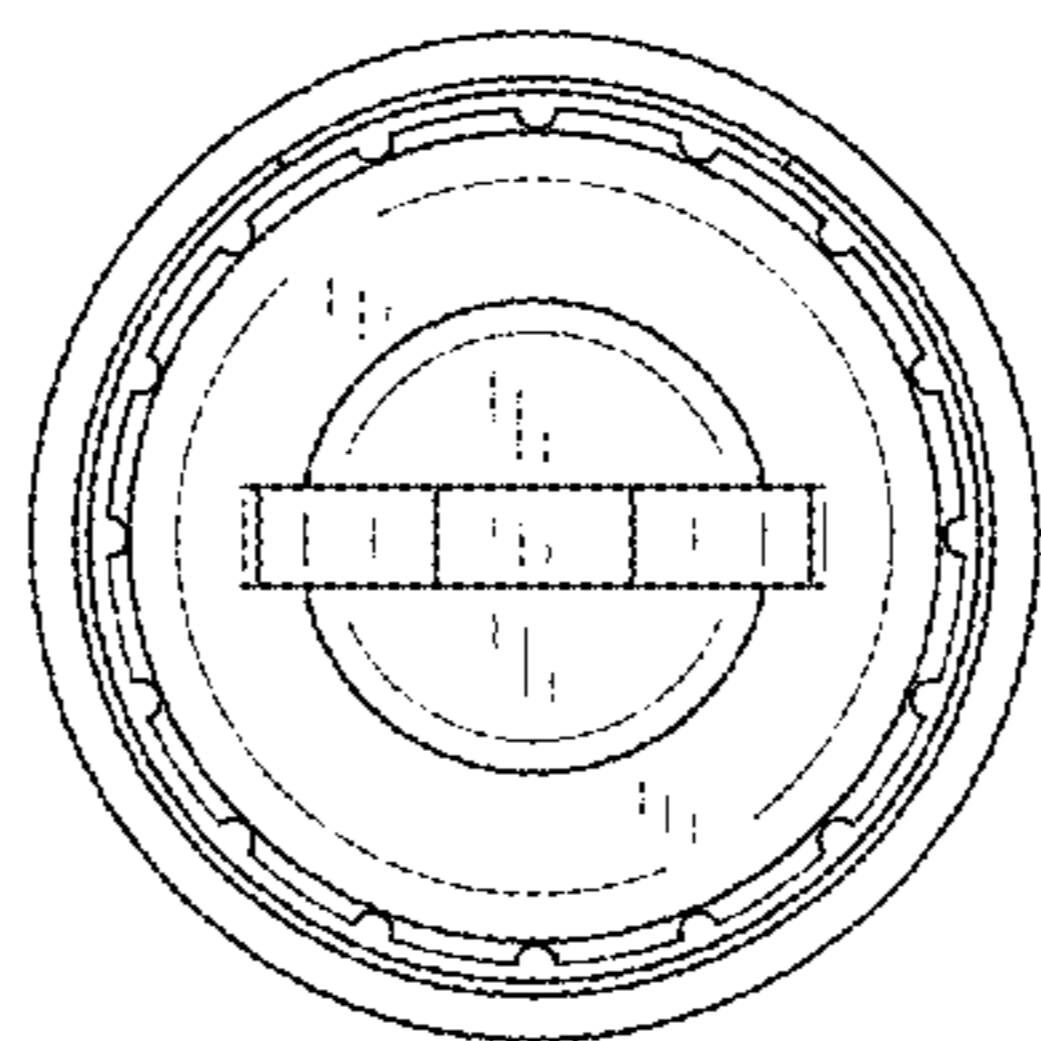


FIG. 8

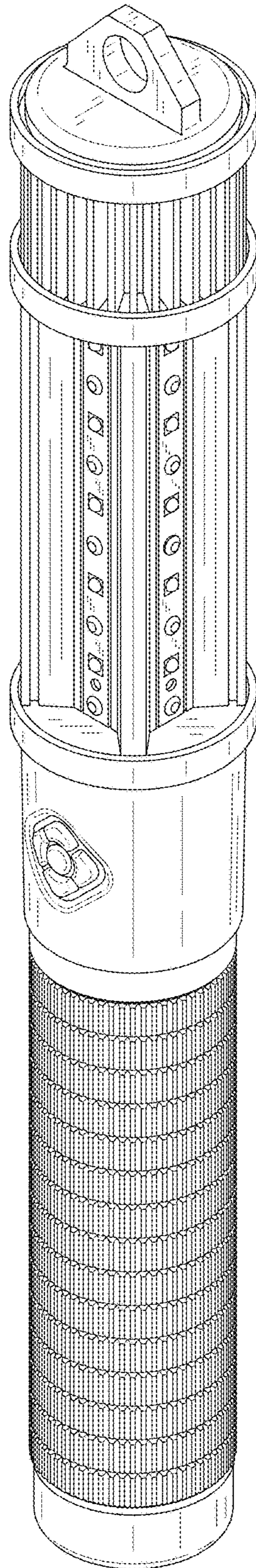


FIG. 9

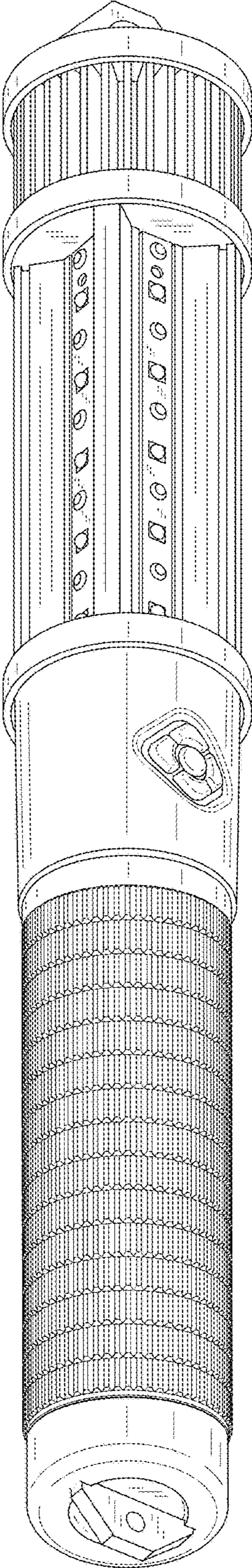


FIG. 10

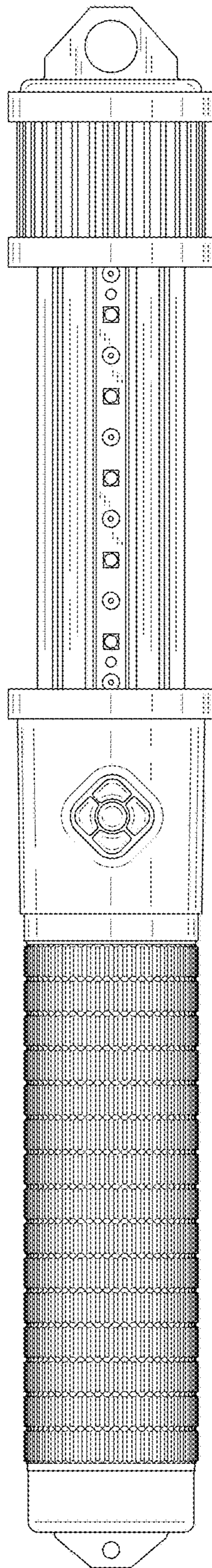


FIG. 11

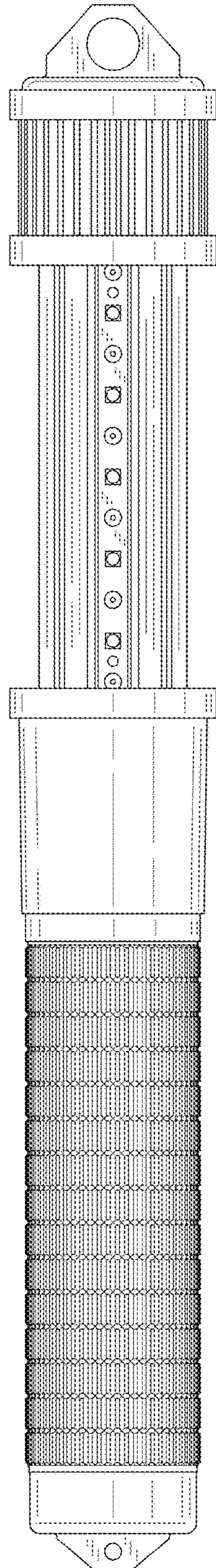


FIG. 12

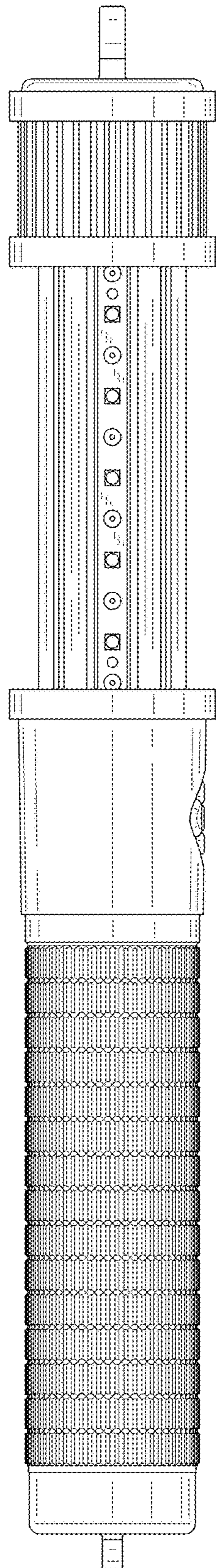


FIG. 13

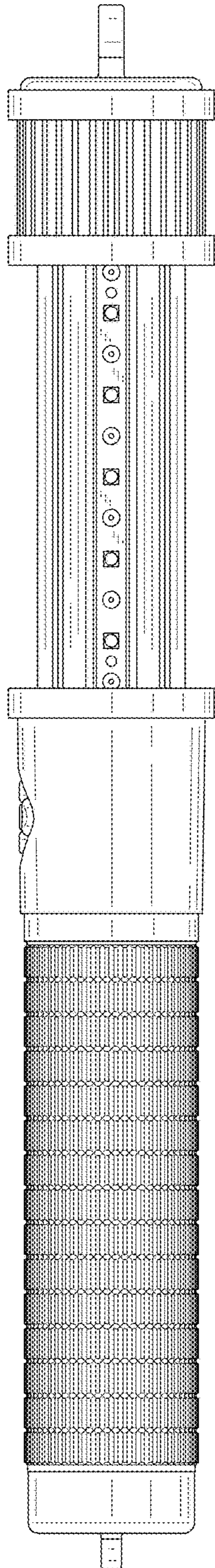


FIG. 14

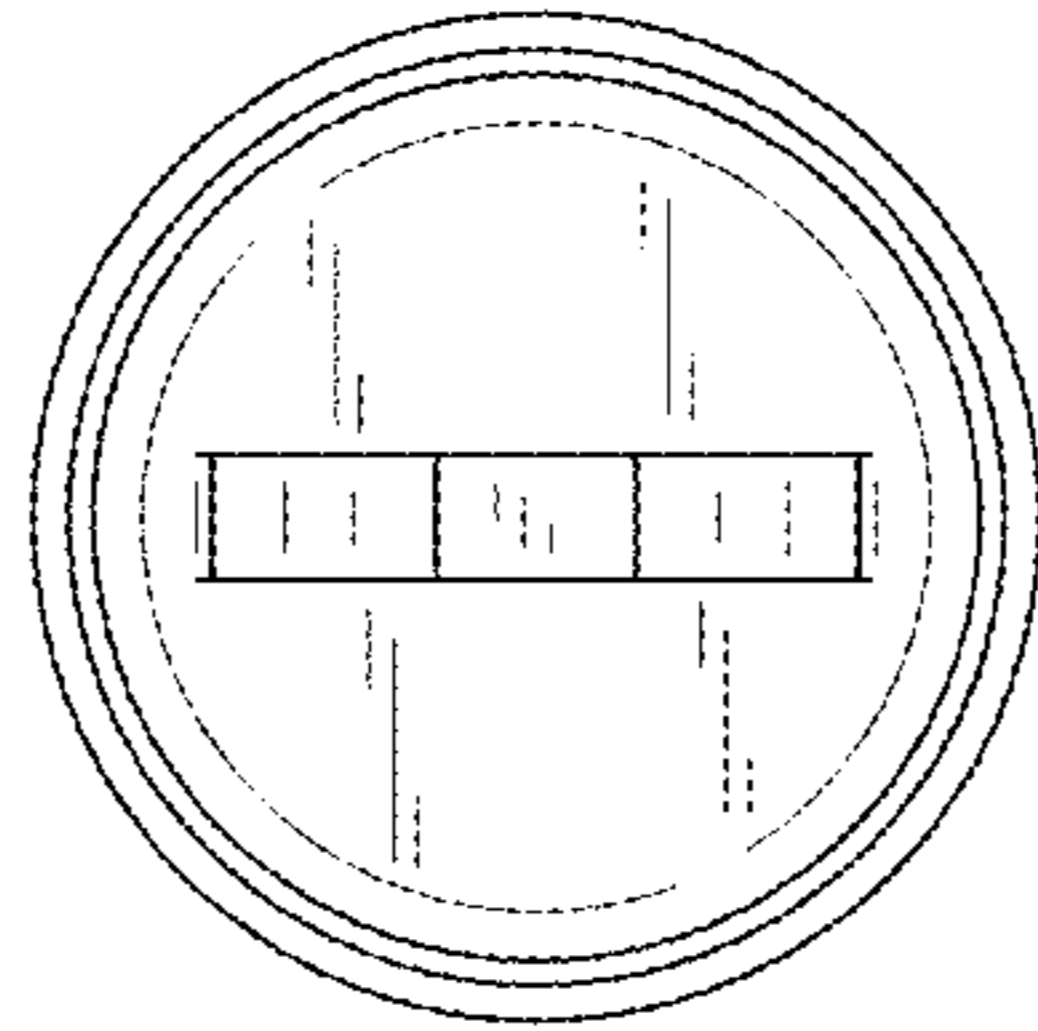


FIG. 15

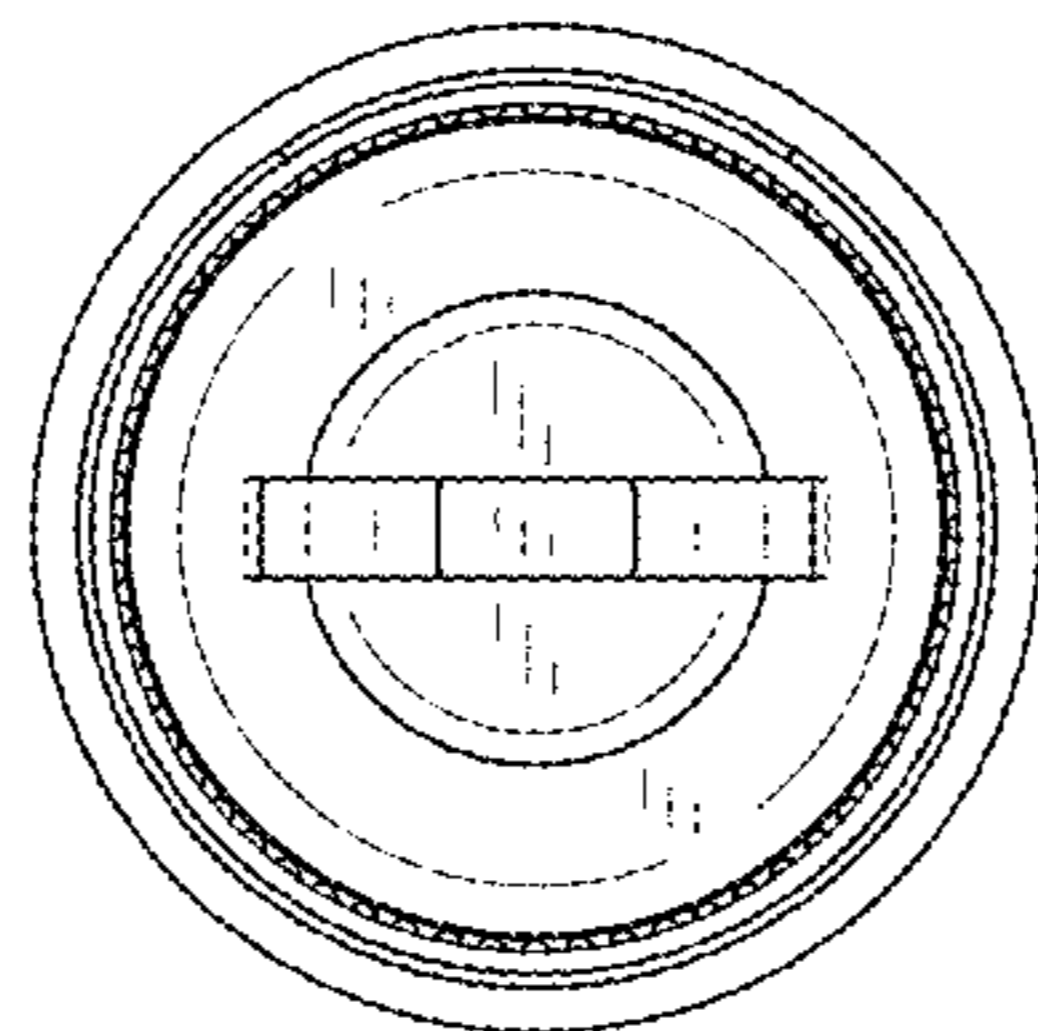


FIG. 16

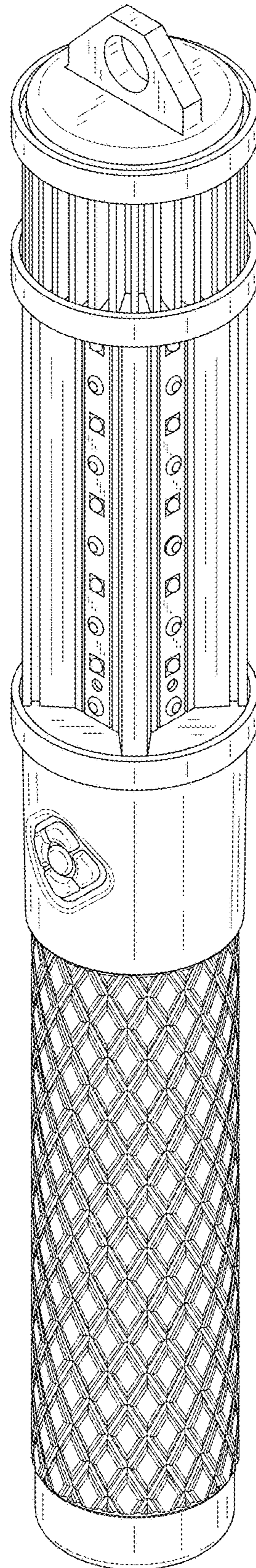


FIG. 17

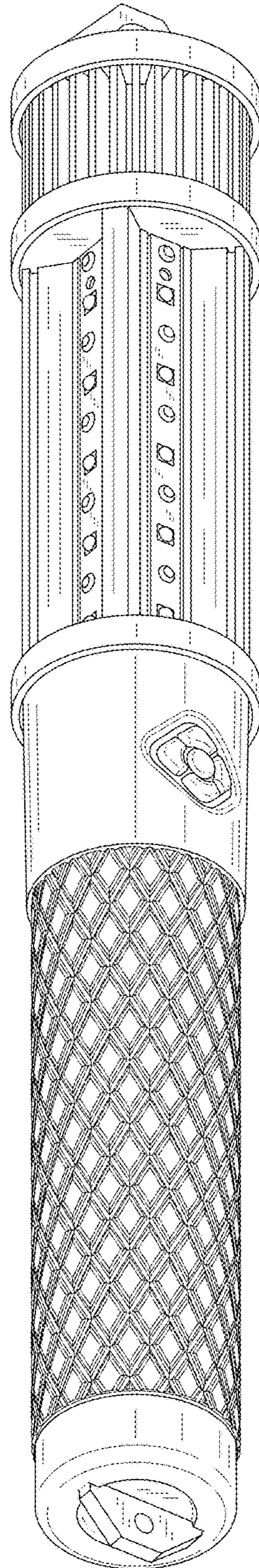


FIG. 18

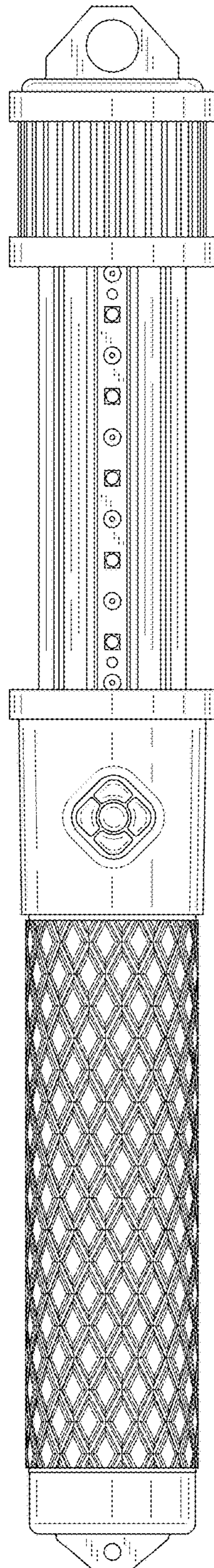


FIG. 19

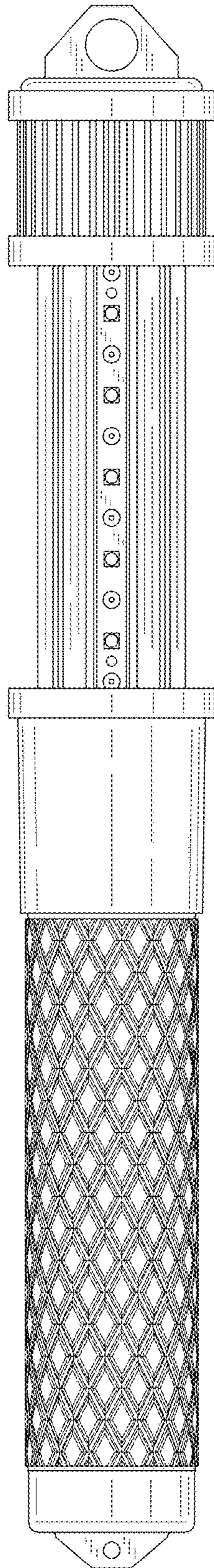


FIG. 20

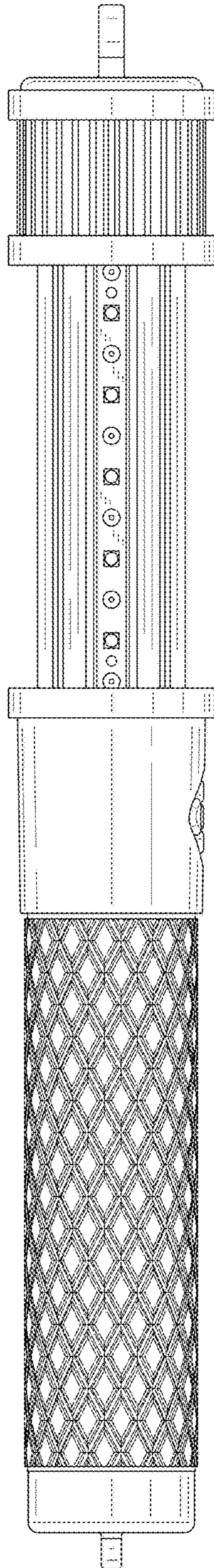


FIG. 21

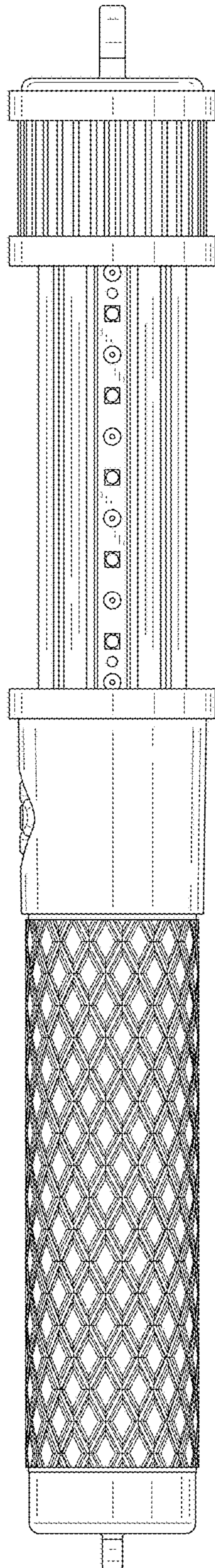


FIG. 22

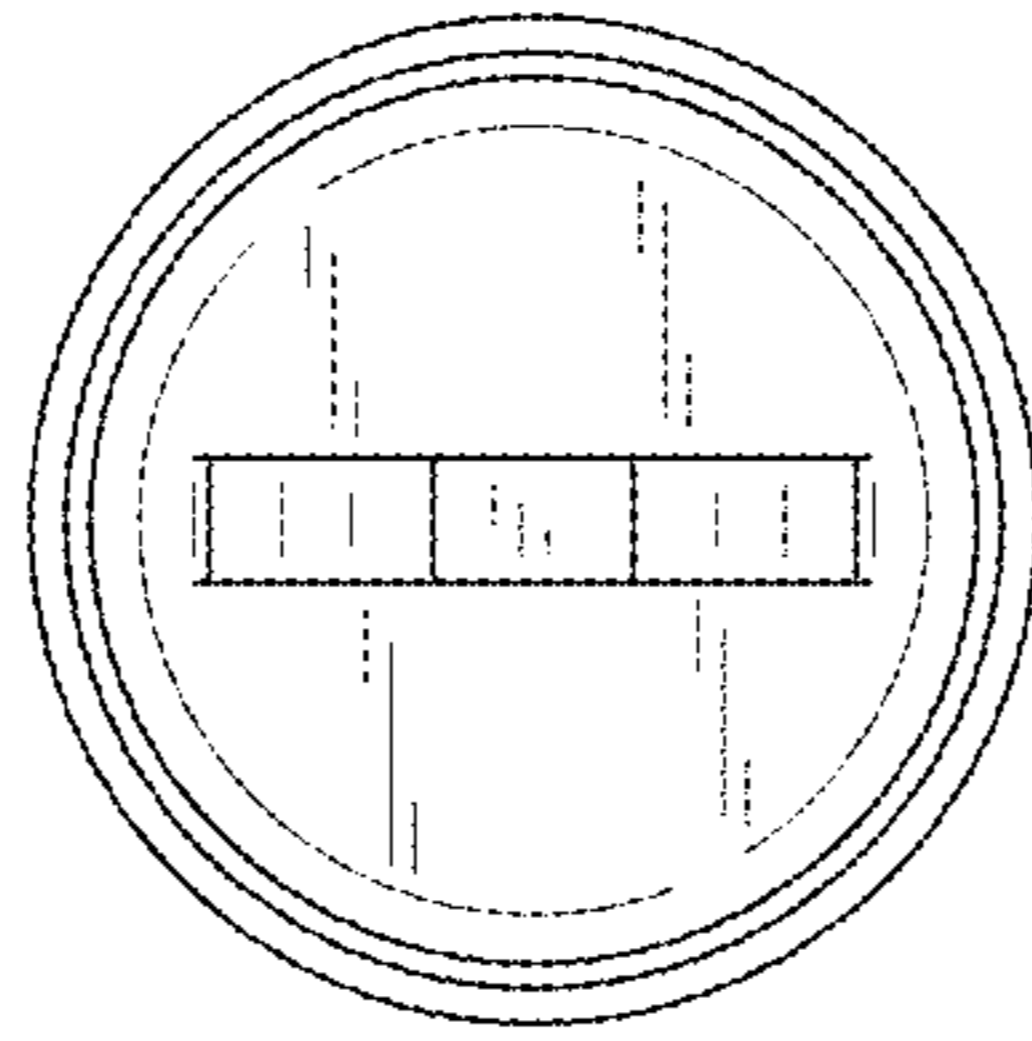


FIG. 23

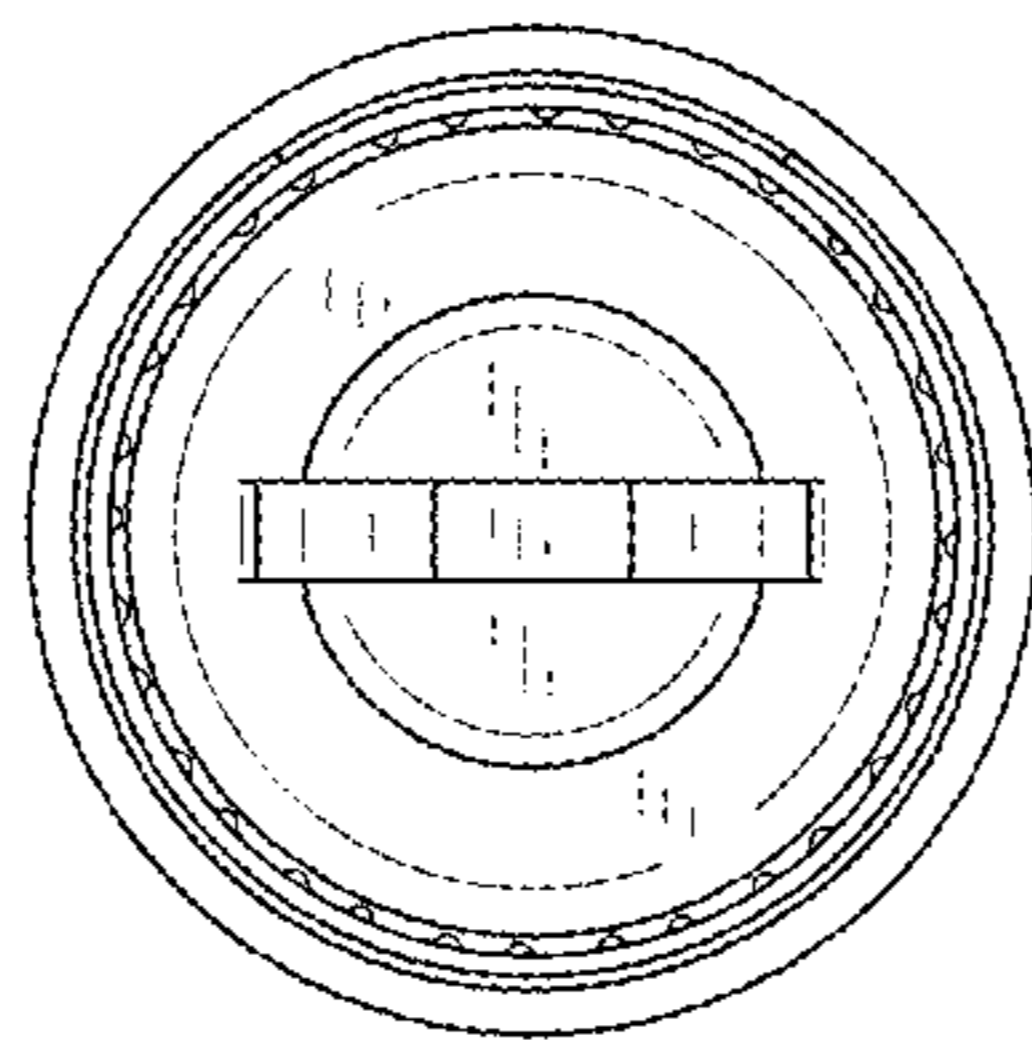


FIG. 24