



US00D811632S

(12) **United States Design Patent** (10) **Patent No.:** **US D811,632 S**
Suga (45) **Date of Patent:** **** Feb. 27, 2018**

(54) **FRONT COMBINATION LAMP FOR AN AUTOMOBILE**

D769,493 S * 10/2016 Futschik D26/28
D774,220 S * 12/2016 Lim D26/28
D774,671 S * 12/2016 Lai D26/28

(71) Applicant: **Koichi Suga**, Toyota (JP)
(72) Inventor: **Koichi Suga**, Toyota (JP)
(73) Assignee: **Toyota Jidosha Kabushiki Kaisha** (JP)
(**) Term: **15 Years**

OTHER PUBLICATIONS

Toyota, Lexus LC-FC (2015), NetCarShow, <https://www.netcarshow.com/lexus/2015-lf-lc_concept/>, available at least as early as Jan. 28, 2016.
Mazda, Mazda-6 (2016), NetCarShow, <<http://www.netcarshow.com/mazda/2016-6/>>, available at least as early as Jan. 28, 2016.
Nissan, Infiniti Q70 (2015), NetCarShow, <<http://www.netcarshow.com/infiniti/2015-q70/>>, available at least as early as Jan. 28, 2016.

(21) Appl. No.: **29/587,319**
(22) Filed: **Dec. 12, 2016**

* cited by examiner

(30) **Foreign Application Priority Data**

Primary Examiner — Marcus Jackson
(74) *Attorney, Agent, or Firm* — Saidman DesignLaw Group, LLC

Jun. 14, 2016 (JP) 2016-012658
(51) **LOC (11) Cl.** **26-06**
(52) **U.S. Cl.**
USPC **D26/28**

(57) **CLAIM**

The ornamental design for a front combination lamp for an automobile, as shown and described.

(58) **Field of Classification Search**
USPC D26/28-36; 362/80-83, 267-269, 362/459-468, 475-478, 485-487
CPC F21S 48/00; F21S 48/10; F21S 48/115; F21S 48/1233; F21S 48/1266; F21S 48/1388; F21S 48/2268; F21V 21/04
See application file for complete search history.

DESCRIPTION

FIG. 1 is a perspective view of a front combination lamp for an automobile showing my new design;
FIG. 2 is a front view thereof;
FIG. 3 is a rear view thereof;
FIG. 4 is a top view thereof;
FIG. 5 is a bottom view thereof;
FIG. 6 is a right side view thereof; and,
FIG. 7 is a left side view thereof.
The claimed design is indicated by the relatively dark portions in the figures. The relatively light portions form no part of the claimed design.

(56) **References Cited**

U.S. PATENT DOCUMENTS

D622,426 S * 8/2010 Song D26/28
D638,962 S * 5/2011 Froehlich D26/28
D679,431 S * 4/2013 Frenzel D26/28
D740,464 S * 10/2015 Park D26/28
D761,473 S * 7/2016 Zhang D26/63

1 Claim, 7 Drawing Sheets

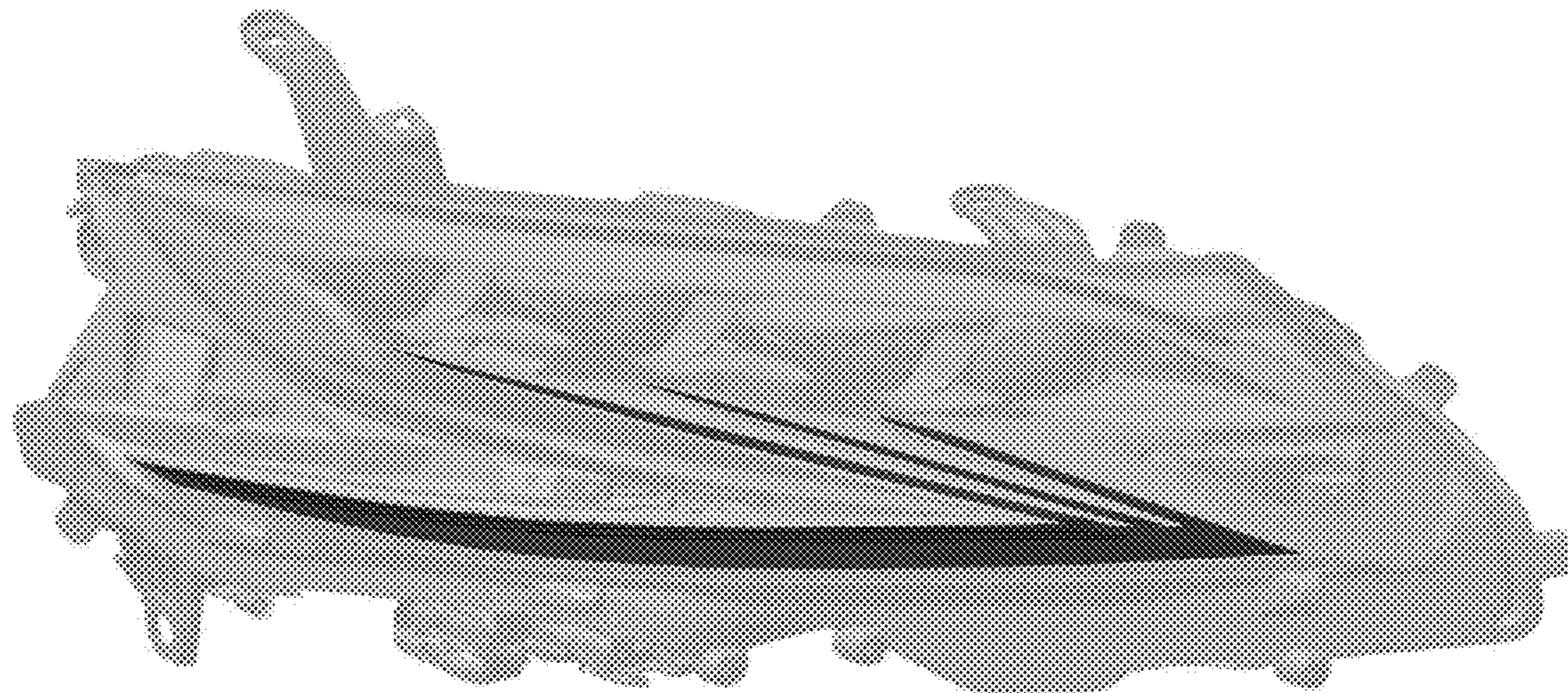




Fig. 1

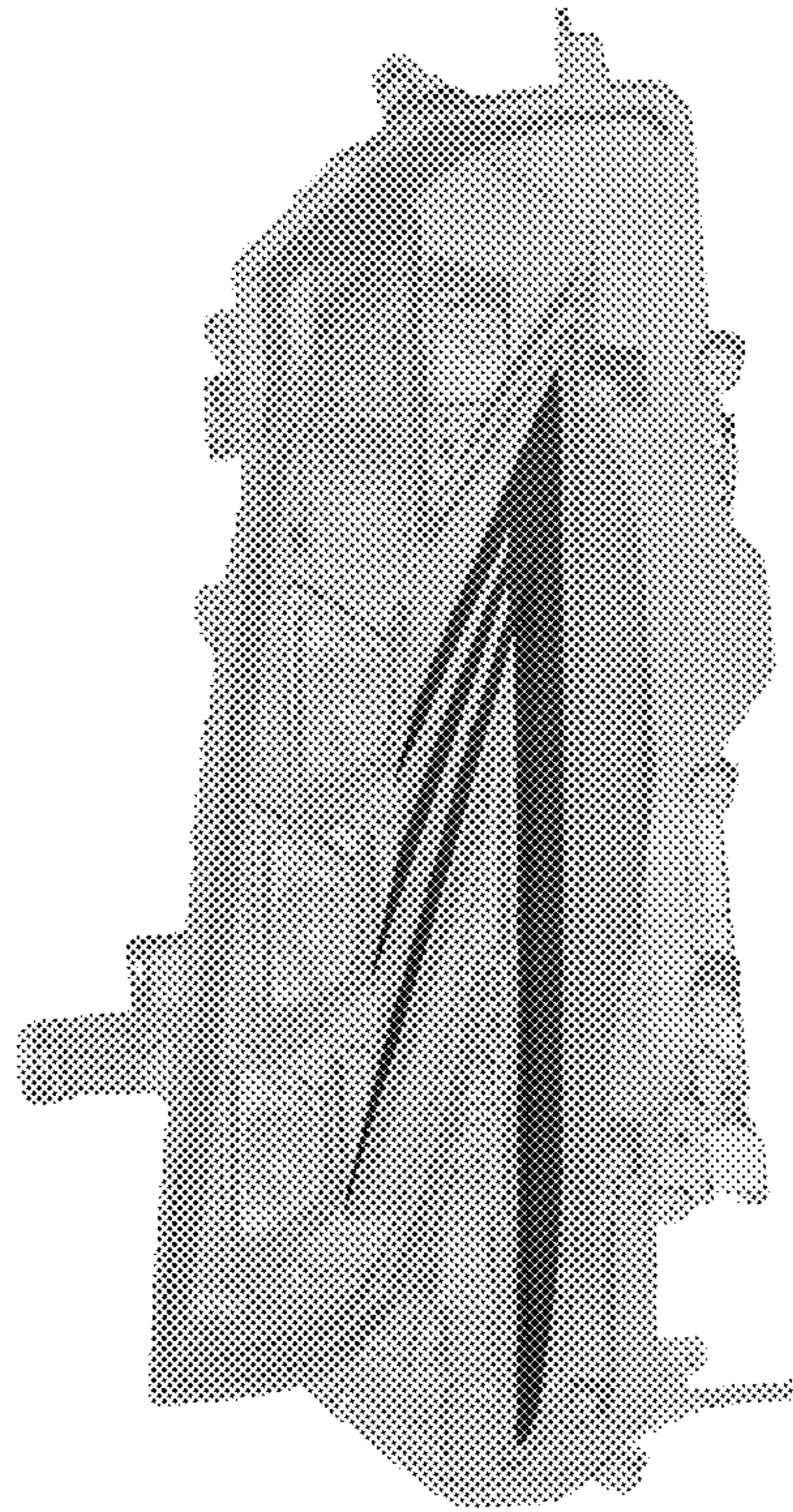


Fig. 2

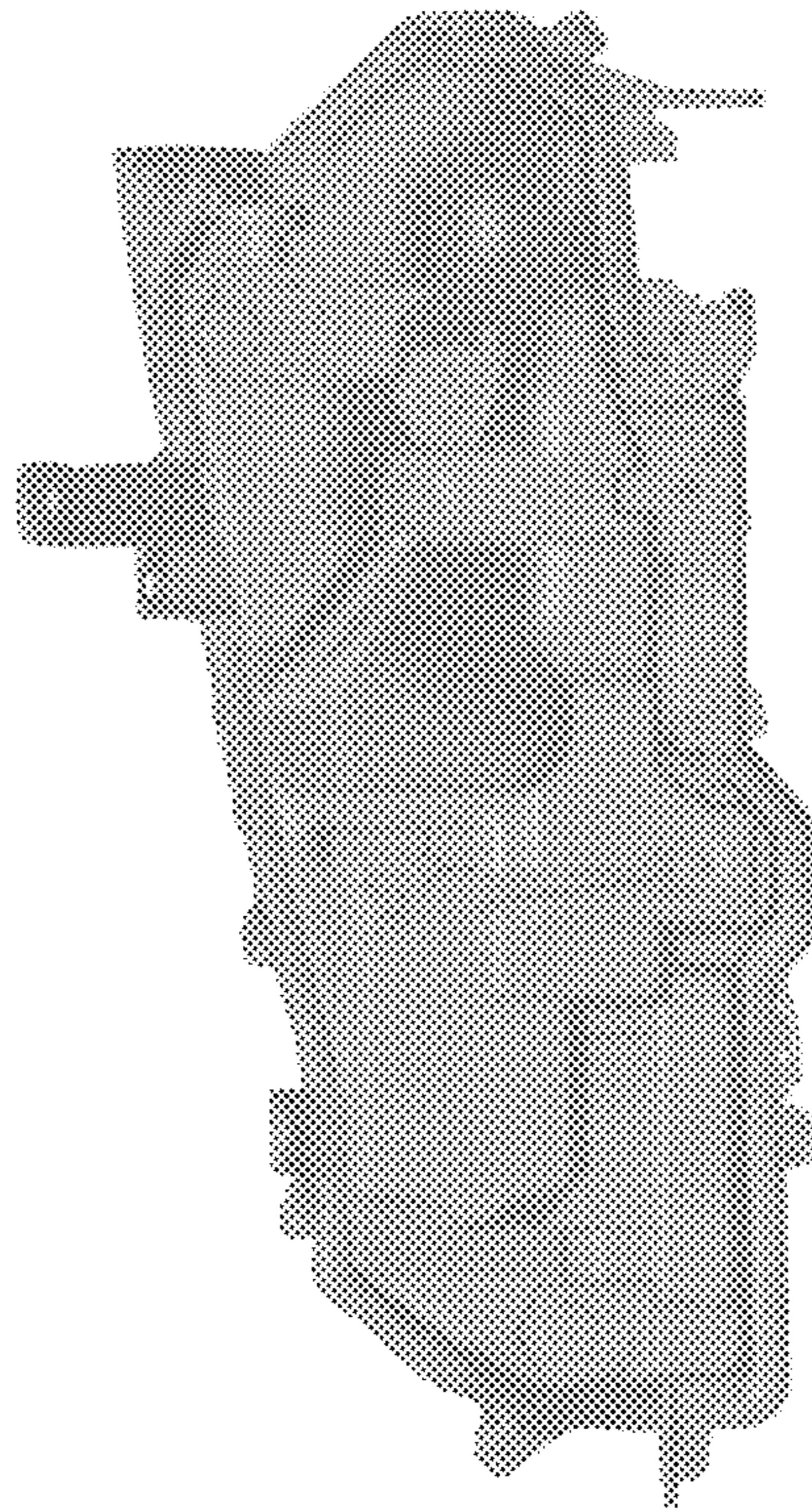


Fig. 3

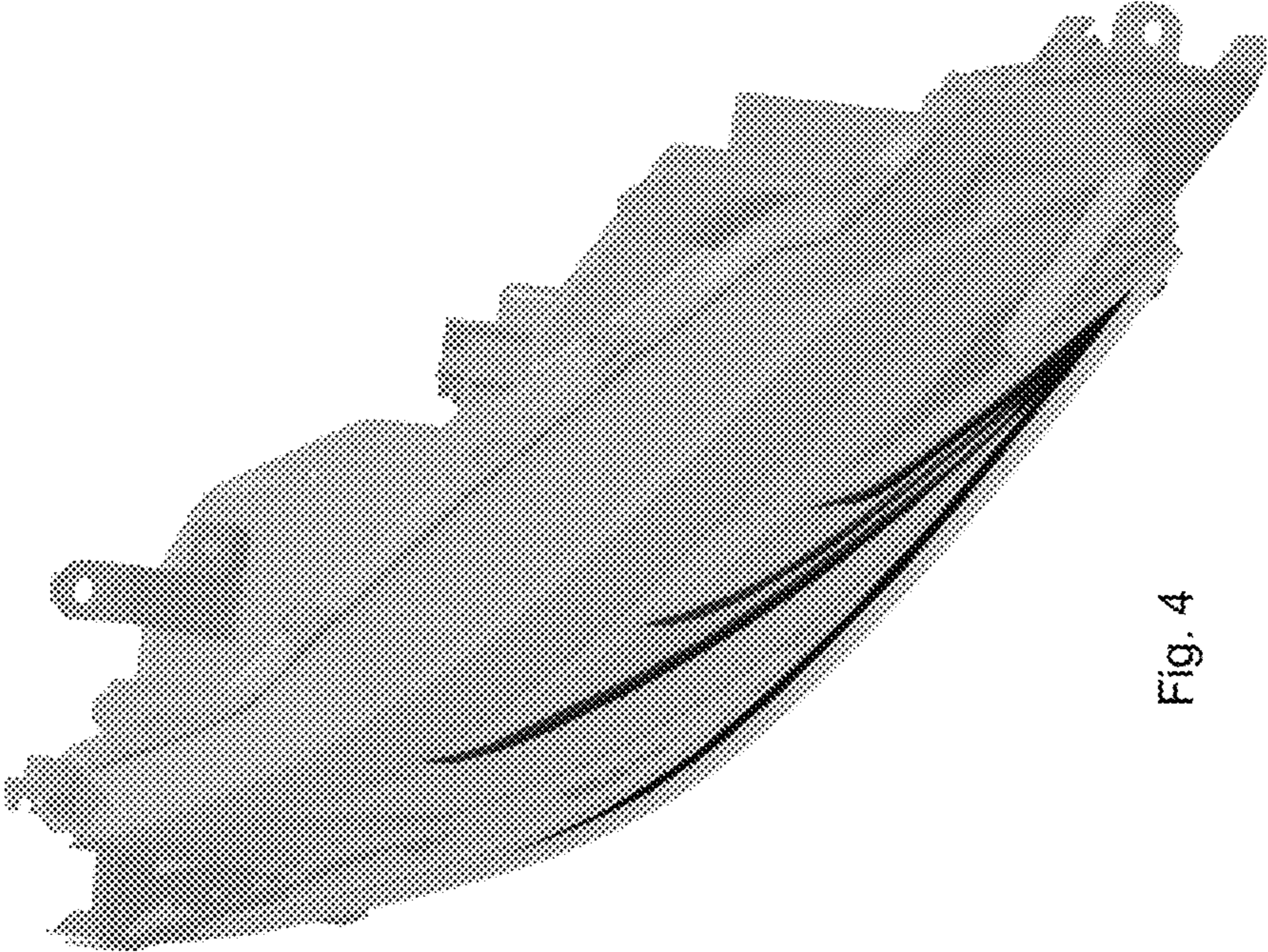


Fig. 4

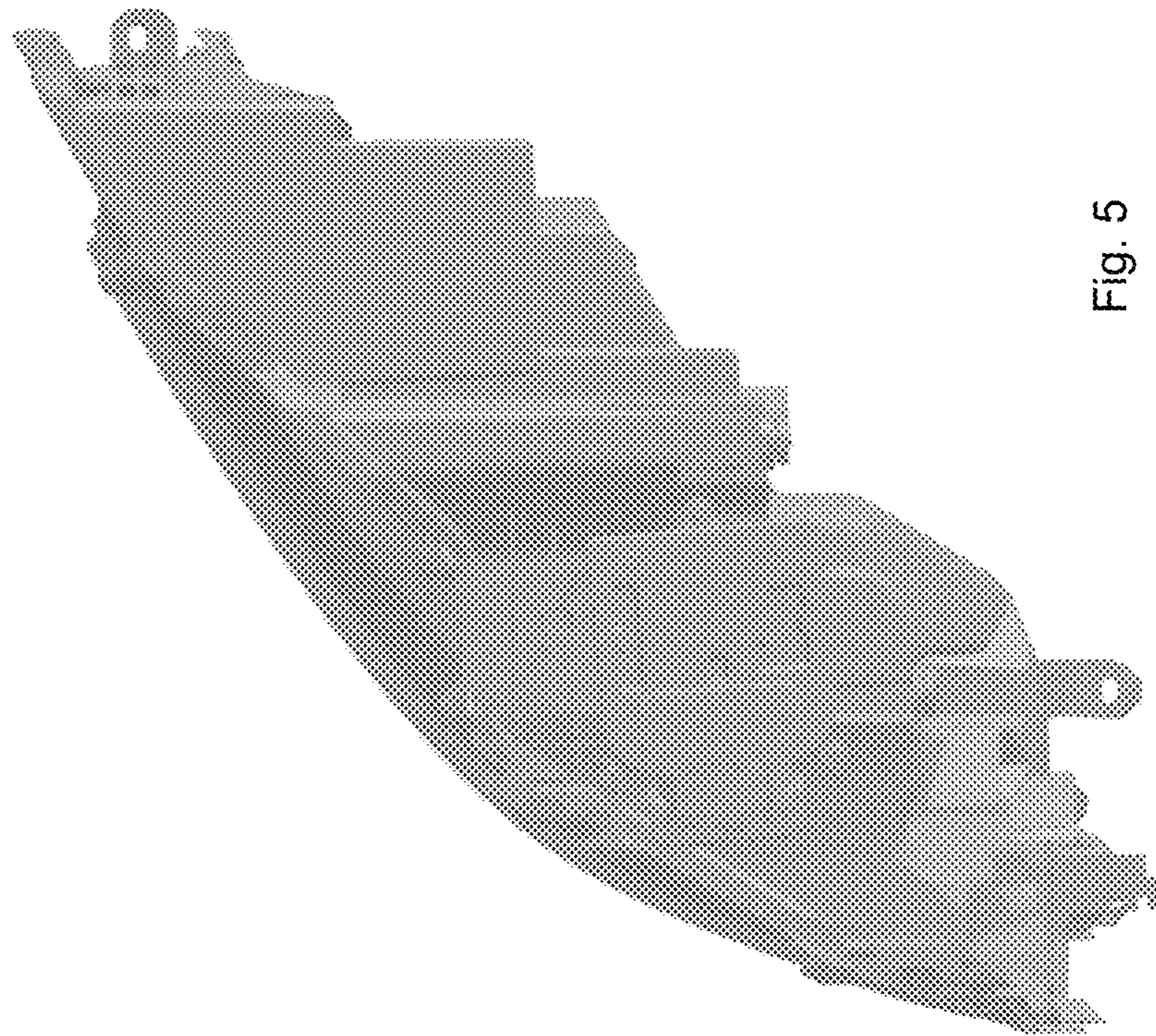


Fig. 5

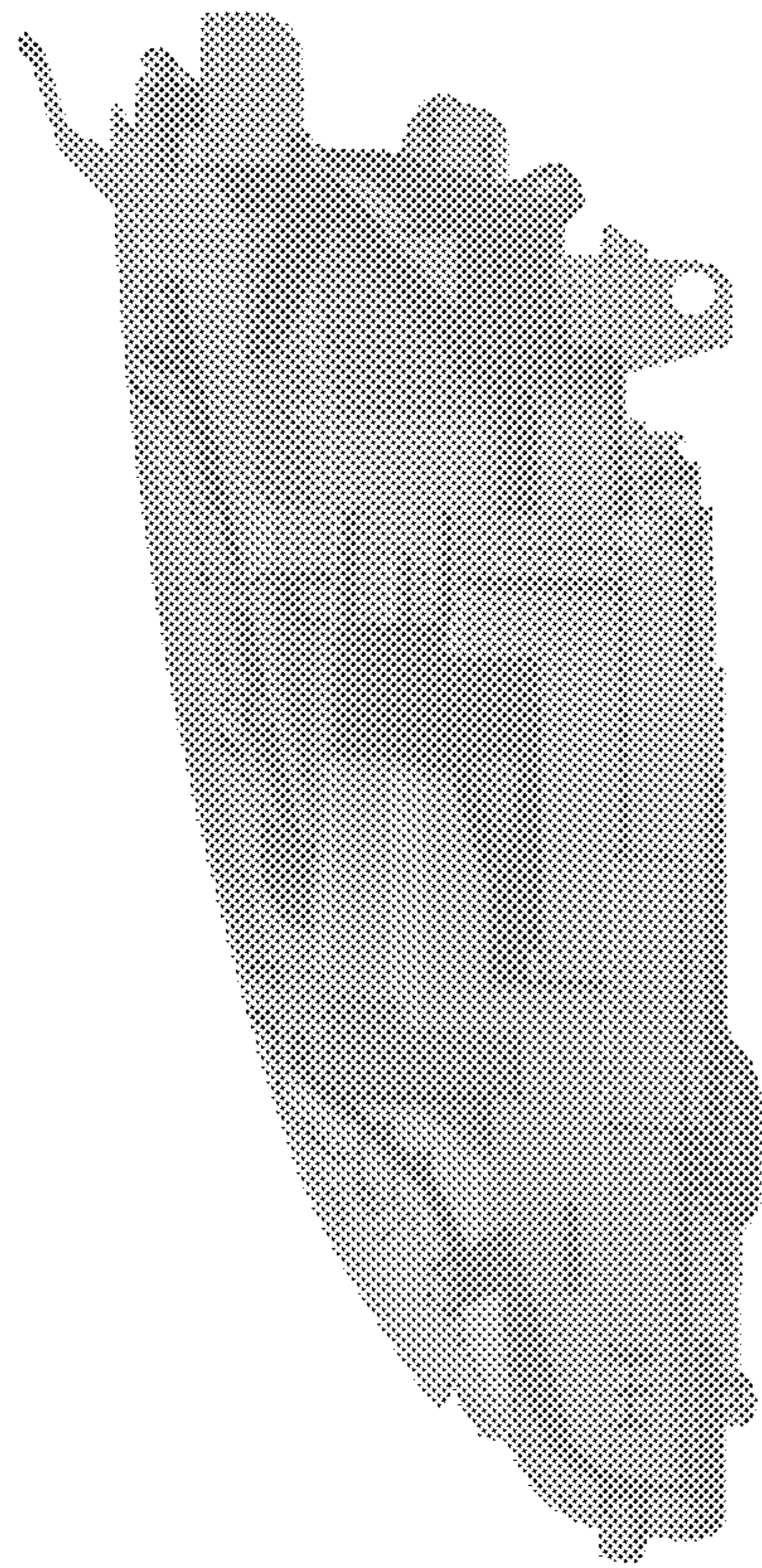


Fig. 6

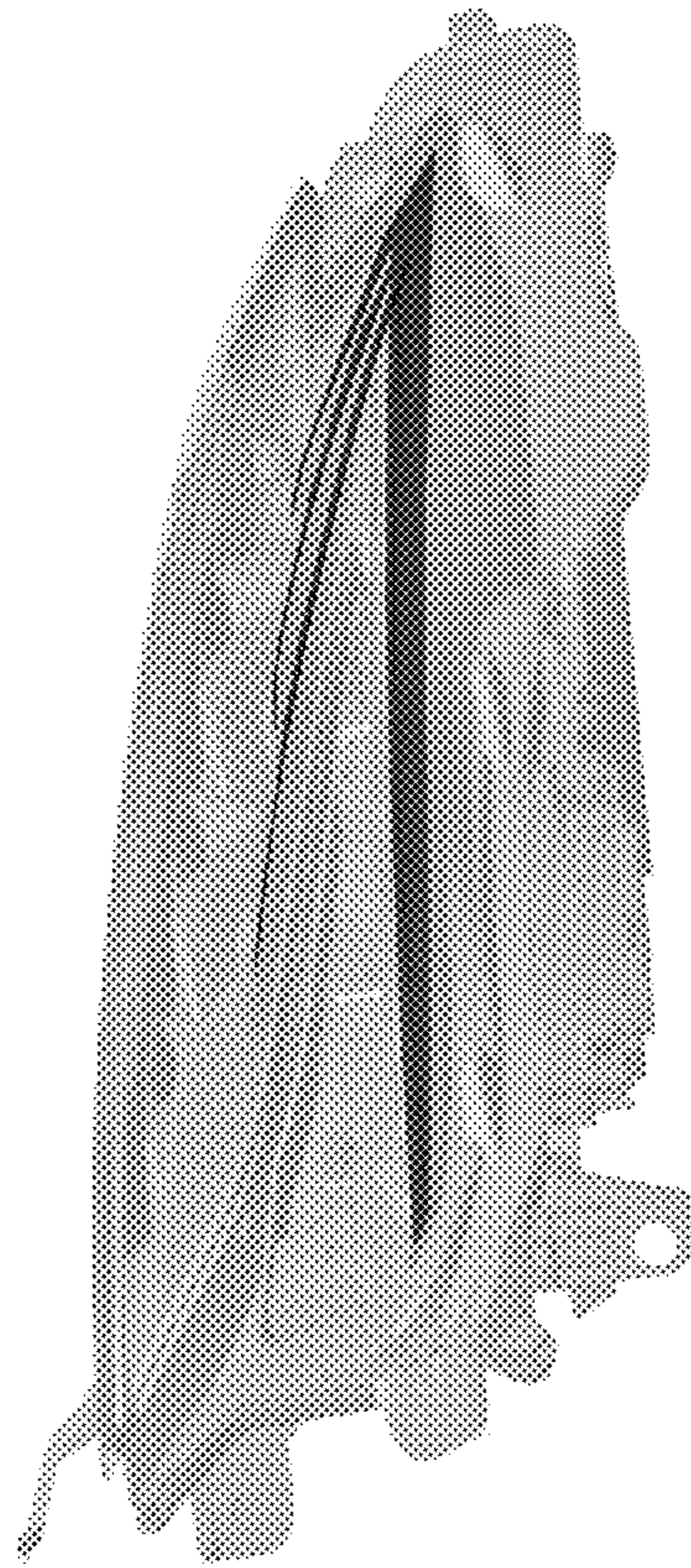


Fig. 7