



US00D811628S

(12) **United States Design Patent** (10) **Patent No.:** **US D811,628 S**
Amrine, Jr. et al. (45) **Date of Patent:** **** Feb. 27, 2018**

(54) **LED-BASED LIGHT TUBE**

(71) Applicant: **iLumisys, Inc.**, Troy, MI (US)

(72) Inventors: **James M. Amrine, Jr.**, Ann Arbor, MI (US); **John Ivey**, Farmington Hills, MI (US)

(73) Assignee: **iLumisys, Inc.**, Troy, MI (US)

(**) Term: **15 Years**

(21) Appl. No.: **29/582,448**

(22) Filed: **Oct. 27, 2016**

Related U.S. Application Data

(62) Division of application No. 29/528,767, filed on Jun. 1, 2015, now Pat. No. Des. 780,348.

(51) **LOC (11) Cl.** **26-04**

(52) **U.S. Cl.**
USPC **D26/3**

(58) **Field of Classification Search**
USPC D26/1-4; 313/313, 315, 316, 317, 318, 313/493; 315/52, 53, 56, 57, 58
CPC H01J 5/00; H01J 15/00; H01J 5/48; H01J 5/50; H01J 19/54; F21V 5/00; F21K 9/13; F21K 9/135; F21K 9/1375
See application file for complete search history.

(56) **References Cited**

U.S. PATENT DOCUMENTS

5,473,522	A	12/1995	Kriz et al.
5,850,126	A	12/1998	Kanbar
D437,947	S	2/2001	Huang
6,227,679	B1	5/2001	Zhang et al.
D477,093	S	7/2003	Moriyama et al.
6,598,996	B1	7/2003	Lodhie
6,652,117	B2	11/2003	Tsai
6,659,622	B2	12/2003	Katogi et al.
6,851,832	B2	2/2005	Tieszzen

D506,274	S	6/2005	Moriyama et al.
7,049,761	B2	5/2006	Timmermans et al.
D553,267	S	10/2007	Yuen
7,329,024	B2	2/2008	Lynch et al.

(Continued)

Primary Examiner — Marcus Jackson

(74) *Attorney, Agent, or Firm* — Fish & Richardson P.C.

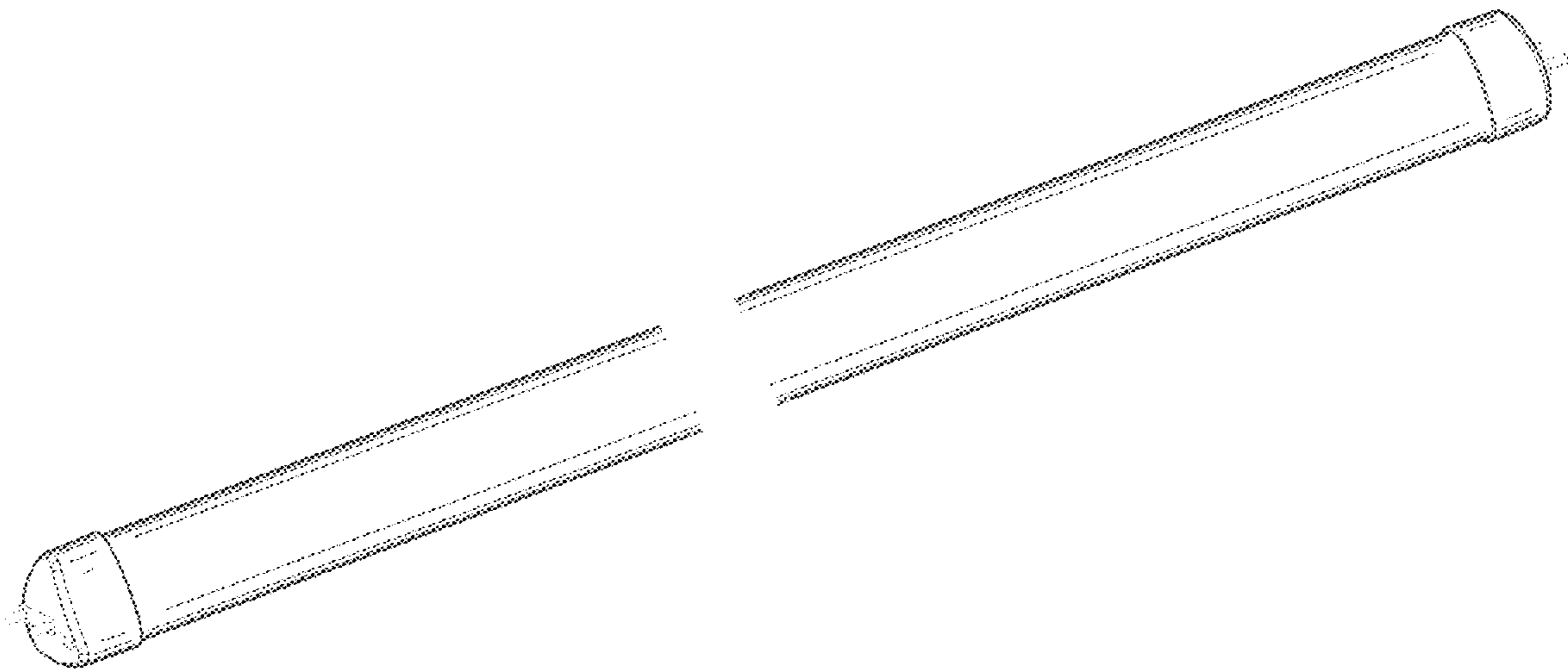
(57) **CLAIM**

The ornamental design for an LED-based light tube, as shown and described.

DESCRIPTION

FIGS. 1 and 2 are perspective views of an example of an LED-based light tube showing our new design with a middle portion removed in FIG. 2 for ease of illustration; FIG. 3 is an enlarged, front elevation view of the LED-based light tube of FIGS. 1 and 2 with the middle portion removed for ease of illustration; FIG. 4 is an enlarged, rear elevation view of the LED-based light tube of FIGS. 1 and 2 with the middle portion removed for ease of illustration; FIG. 5 is an enlarged, left side elevation view of the LED-based light tube of FIGS. 1 and 2 with the middle portion removed for ease of illustration; FIG. 6 is an enlarged, right side elevation view of the LED-based light tube of FIGS. 1 and 2 with the middle portion removed for ease of illustration; FIG. 7 is an enlarged, top plan view of the LED-based light tube of FIGS. 1 and 2 with the middle portion removed for ease of illustration; FIG. 8 is an enlarged, bottom plan view of the LED-based light tube of FIGS. 1 and 2 with the middle portion removed for ease of illustration; and, FIG. 9 is a cross-sectional view taken along line 9-9 in FIG. 1 of the LED-based light tube of FIGS. 1 and 2. The shade lines show contour and not surface ornamentation. The broken lines are environmental and form no part of the claimed design.

1 Claim, 3 Drawing Sheets



(56)

References Cited

U.S. PATENT DOCUMENTS

D574,093 S *	7/2008	Kitagawa	D26/3	7,887,226 B2	2/2011	Huang et al.
7,396,146 B2	7/2008	Wang		D634,452 S	3/2011	de Visser
D576,749 S	9/2008	Kitagawa et al.		D636,504 S	4/2011	Duster
D581,556 S *	11/2008	To	D26/2	7,926,975 B2	4/2011	Siemiet et al.
D584,429 S	1/2009	Pei et al.		7,938,562 B2	5/2011	Ivey et al.
7,510,299 B2	3/2009	Timmermans et al.		7,946,729 B2	5/2011	Ivey et al.
7,514,876 B2	4/2009	Roach, Jr.		7,976,196 B2	7/2011	Ivey et al.
7,521,872 B2	4/2009	Bruning		7,990,070 B2	8/2011	Nerone
D594,999 S *	6/2009	Uchida	D26/3	7,997,770 B1	8/2011	Meurer
D597,686 S	8/2009	Noh		D650,097 S	12/2011	Trumble et al.
7,594,738 B1	9/2009	Lin et al.		D650,494 S	12/2011	Tsao et al.
D601,726 S	10/2009	Mollaert et al.		D652,968 S	1/2012	Aguiar et al.
D610,724 S	2/2010	Chiang et al.		8,093,823 B1	1/2012	Ivey et al.
D611,172 S	3/2010	Lin et al.		D654,192 S	2/2012	Maxik et al.
7,712,918 B2	5/2010	Siemiet et al.		8,118,447 B2	2/2012	Simon et al.
7,758,207 B1	7/2010	Zhou et al.		D660,472 S	5/2012	Aguiar et al.
D621,975 S	8/2010	Wang		D662,236 S	6/2012	Matsushita
7,784,966 B2	8/2010	Verfuierth et al.		2003/0218879 A1	11/2003	Tieszen
7,815,338 B2	10/2010	Siemiet et al.		2007/0195527 A1	8/2007	Russell
7,850,341 B2	12/2010	Mrakovich et al.		2007/0285926 A1	12/2007	Maxik
RE42,161 E	2/2011	Hochstein		2009/0046473 A1	2/2009	Tsai et al.
7,878,683 B2	2/2011	Logan et al.		2010/0270925 A1	10/2010	Withers
7,887,216 B2	2/2011	Patrick		2011/0090682 A1	4/2011	Zheng et al.
				2011/0156584 A1	6/2011	Kim
				2011/0176298 A1	7/2011	Meurer et al.
				2011/0199769 A1	8/2011	Bretschneider et al.

* cited by examiner

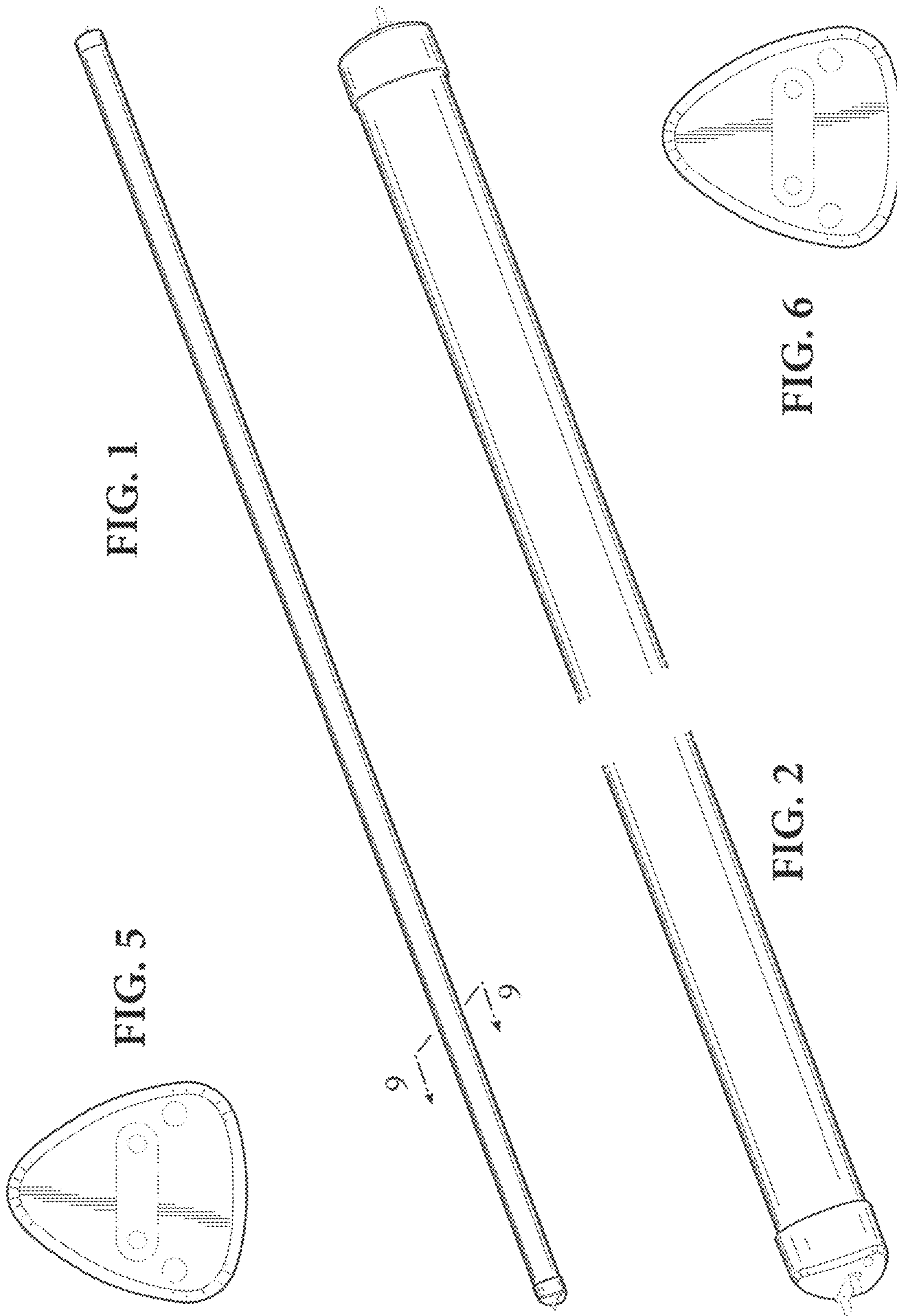


FIG. 1

FIG. 5

FIG. 6

FIG. 2

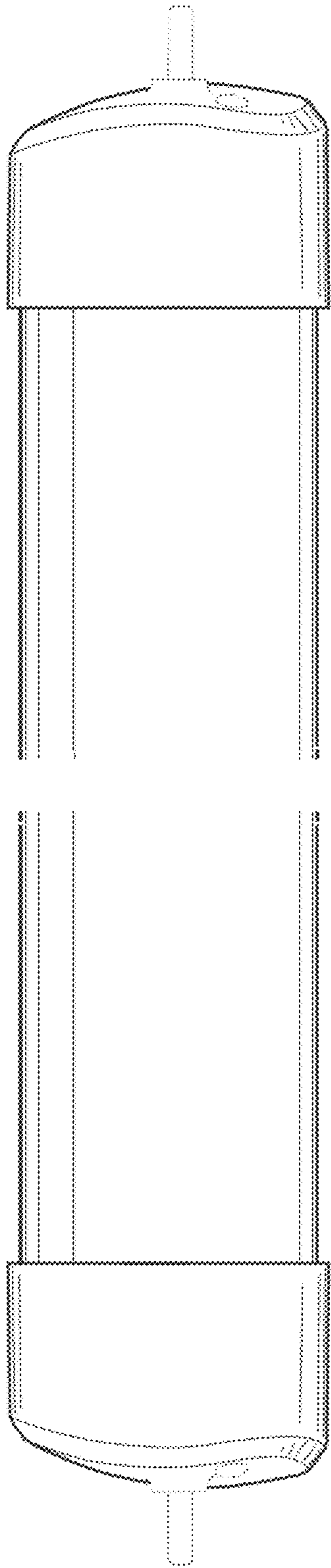


FIG. 3

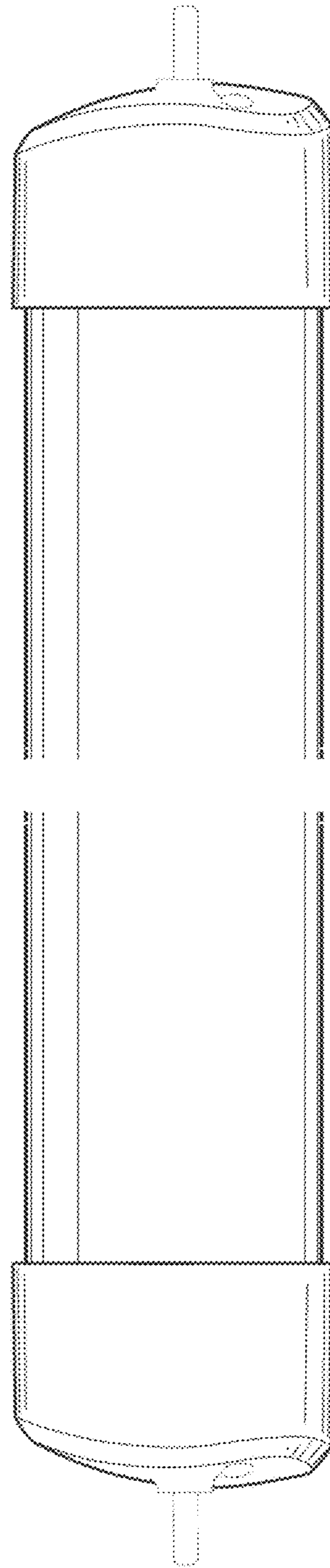


FIG. 4

FIG. 7

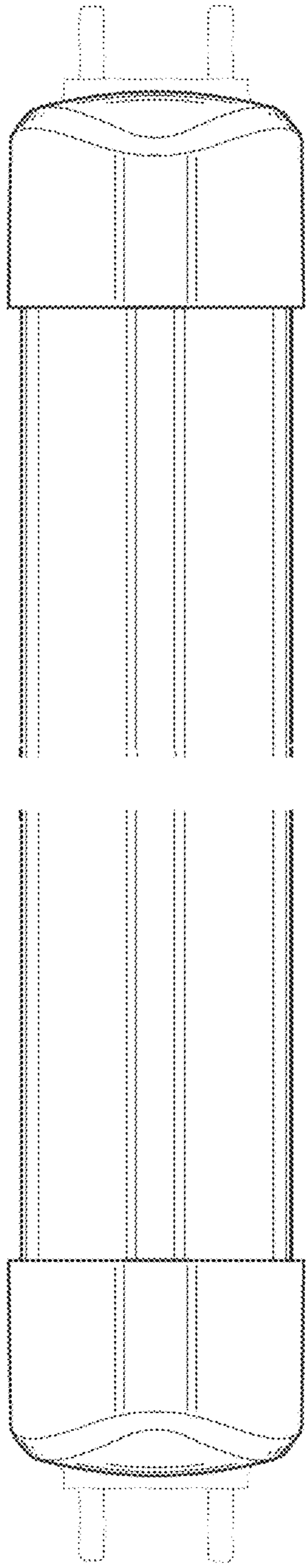


FIG. 8

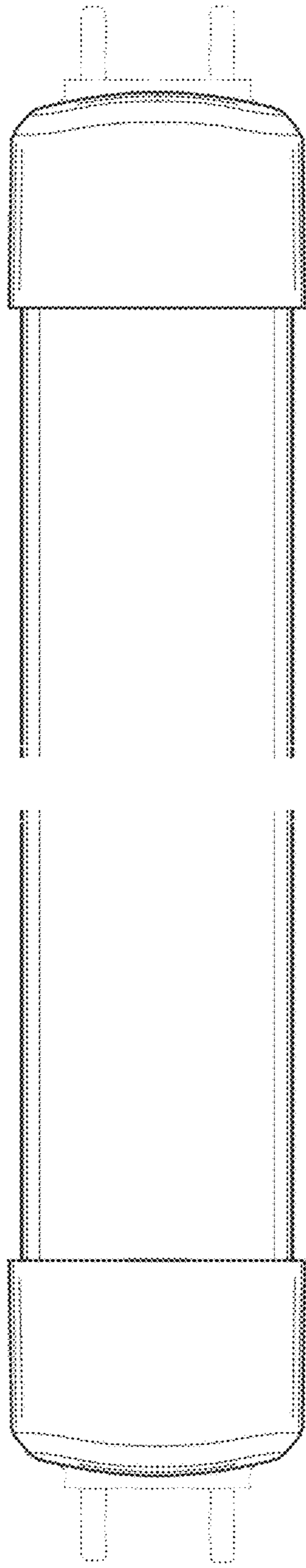


FIG. 9

