



US00D811627S

(12) **United States Design Patent** (10) **Patent No.:** **US D811,627 S**
Roys (45) **Date of Patent:** **** Feb. 27, 2018**

(54) **LED LAMP**

(71) Applicant: **Curtis Alan Roys**, Fredericksburg, TX (US)

(72) Inventor: **Curtis Alan Roys**, Fredericksburg, TX (US)

(**) Term: **15 Years**

(21) Appl. No.: **29/568,321**

(22) Filed: **Jun. 16, 2016**

(51) **LOC (11) Cl.** **26-04**

(52) **U.S. Cl.**
USPC **D26/3**

(58) **Field of Classification Search**
USPC D26/1-4; 313/313, 315, 316, 317, 318, 313/493; 315/52, 53, 56, 57, 58
CPC H01R 5/00; H01R 13/46; H01R 13/514; H01R 31/048; H01R 31/02; H01J 5/00; H01J 5/16; H01J 15/00; H01J 5/48; H01J 5/50; H01J 19/54; F21V 5/00
See application file for complete search history.

(56) **References Cited**

U.S. PATENT DOCUMENTS

5,688,042 A 11/1997 Madadi et al.
6,210,019 B1 4/2001 Weathers
D477,093 S * 7/2003 Moriyama D26/3
(Continued)

FOREIGN PATENT DOCUMENTS

CN 202901882 U 4/2013
CN 202915096 U 5/2013
(Continued)

Primary Examiner — Marcus Jackson

(74) *Attorney, Agent, or Firm* — Scheinberg & Associates, P.C.; Michael O. Scheinberg

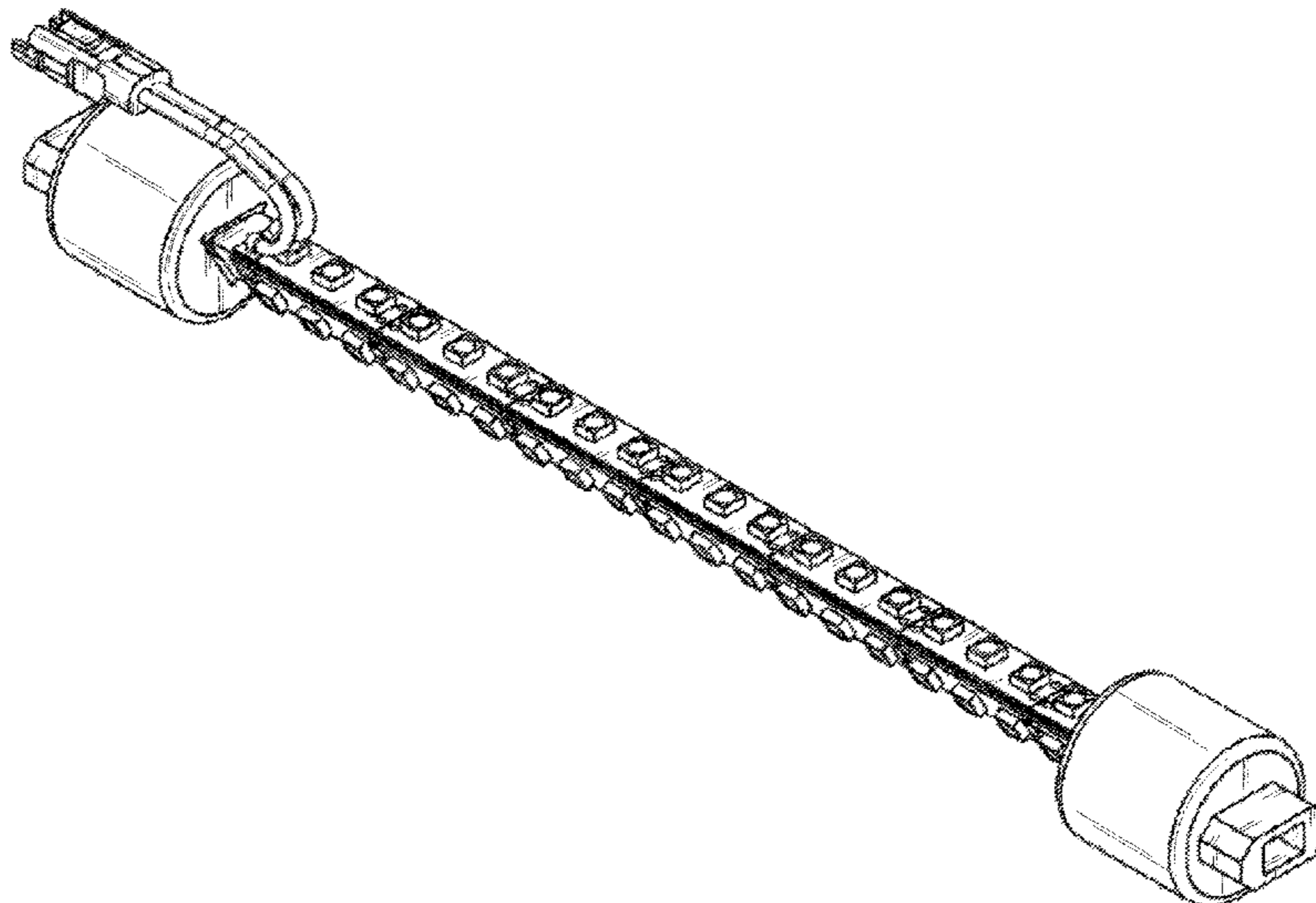
(57) **CLAIM**

I claim the ornamental design for an LED lamp, as shown and described.

DESCRIPTION

FIG. 1 is a perspective view of a first embodiment of an LED lamp in accordance with my new design;
FIG. 2 is a front elevation view of the embodiment in FIG. 1;
FIG. 3 is a rear elevation of the embodiment in FIG. 1;
FIG. 4 is a left elevation of the embodiment in FIG. 1;
FIG. 5 is a right elevation of the embodiment in FIG. 1;
FIG. 6 is plan view of the embodiment in FIG. 1;
FIG. 7 is bottom elevation of the embodiment in FIG. 1;
FIG. 8 is a cross sectional view taken along the line 8-8 of FIG. 6.
FIG. 9 is a cross sectional view taken along the line 9-9 of FIG. 6.
FIG. 10 is a cross sectional view taken along the line 10-10 of FIG. 6.
FIG. 11 is a cross sectional view taken along the line 11-11 of FIG. 6.
FIG. 12 is a perspective view of a second embodiment of an LED lamp in accordance with my new design;
FIG. 13 is a front elevation view of the embodiment in FIG. 12;
FIG. 14 is a rear elevation of the embodiment in FIG. 12;
FIG. 15 is a left elevation of the embodiment in FIG. 12;
FIG. 16 is a right elevation of the embodiment in FIG. 12;
FIG. 17 is plan view of the embodiment in FIG. 12;
FIG. 18 is bottom elevation of the embodiment in FIG. 12;
FIG. 19 is a cross sectional view taken along the line 19-19 of FIG. 17; and,
FIG. 20 is a cross sectional view taken along the line 20-20 of FIG. 17.
Cross-sections taken along planes 10-10 and 11-11 of FIG. 17 appear the same as those taken along lines 10-10 and 11-11 of FIG. 6.

1 Claim, 8 Drawing Sheets



(56)

References Cited

U.S. PATENT DOCUMENTS

D506,274 S *	6/2005	Moriyama	D26/24
D584,429 S *	1/2009	Pei	D26/3
D594,999 S *	6/2009	Uchida	D26/3
D601,726 S *	10/2009	Mollaert	D26/3
D610,724 S *	2/2010	Chiang	D26/3
7,976,196 B2	7/2011	Ivey et al.		
8,075,167 B2	12/2011	Shin		
8,232,713 B2	7/2012	Li et al.		
8,328,386 B2	12/2012	Catalano et al.		
8,434,914 B2	5/2013	Li et al.		
8,573,813 B2	11/2013	Ivey et al.		
8,636,391 B2	1/2014	Dellian et al.		
2004/0056600 A1	3/2004	Lapatovich et al.		
2010/0008085 A1	1/2010	Ivey et al.		
2010/0135020 A1	6/2010	Moore		
2011/0141729 A1	6/2011	Yang et al.		
2012/0000816 A1	1/2012	Ivey		
2012/0074831 A1	3/2012	Li et al.		
2012/0161666 A1	6/2012	Antony et al.		
2013/0223052 A1	8/2013	Simon et al.		
2014/0153231 A1	6/2014	Bittmann		
2014/0301069 A1	10/2014	Hwu et al.		
2015/0016099 A1	1/2015	Khanampornpan		

2015/0092413 A1	4/2015	Li et al.
2015/0184838 A1	7/2015	Li et al.
2016/0018062 A1	1/2016	Zhang et al.
2017/0023186 A1	1/2017	Norton et al.
2017/0030530 A1	2/2017	Roys
2017/0051832 A1	2/2017	Engel et al.

FOREIGN PATENT DOCUMENTS

CN	103542273 A	1/2014
DE	102009023055 A1	12/2010
DE	102012211934 A1	1/2014
DE	102014214603 A1	1/2016
EP	3009732 A1	4/2016
JP	2012156056 A	8/2012
KR	1020130068957	6/2013
WO	2013082523 A1	6/2013
WO	2013104624 A1	7/2013
WO	2014048677 A1	4/2014
WO	2014202361 A1	12/2014
WO	2015120929 A1	8/2015
WO	2016012124 A1	1/2016
WO	2016012189 A1	1/2016
WO	2017019644 A1	2/2017

* cited by examiner

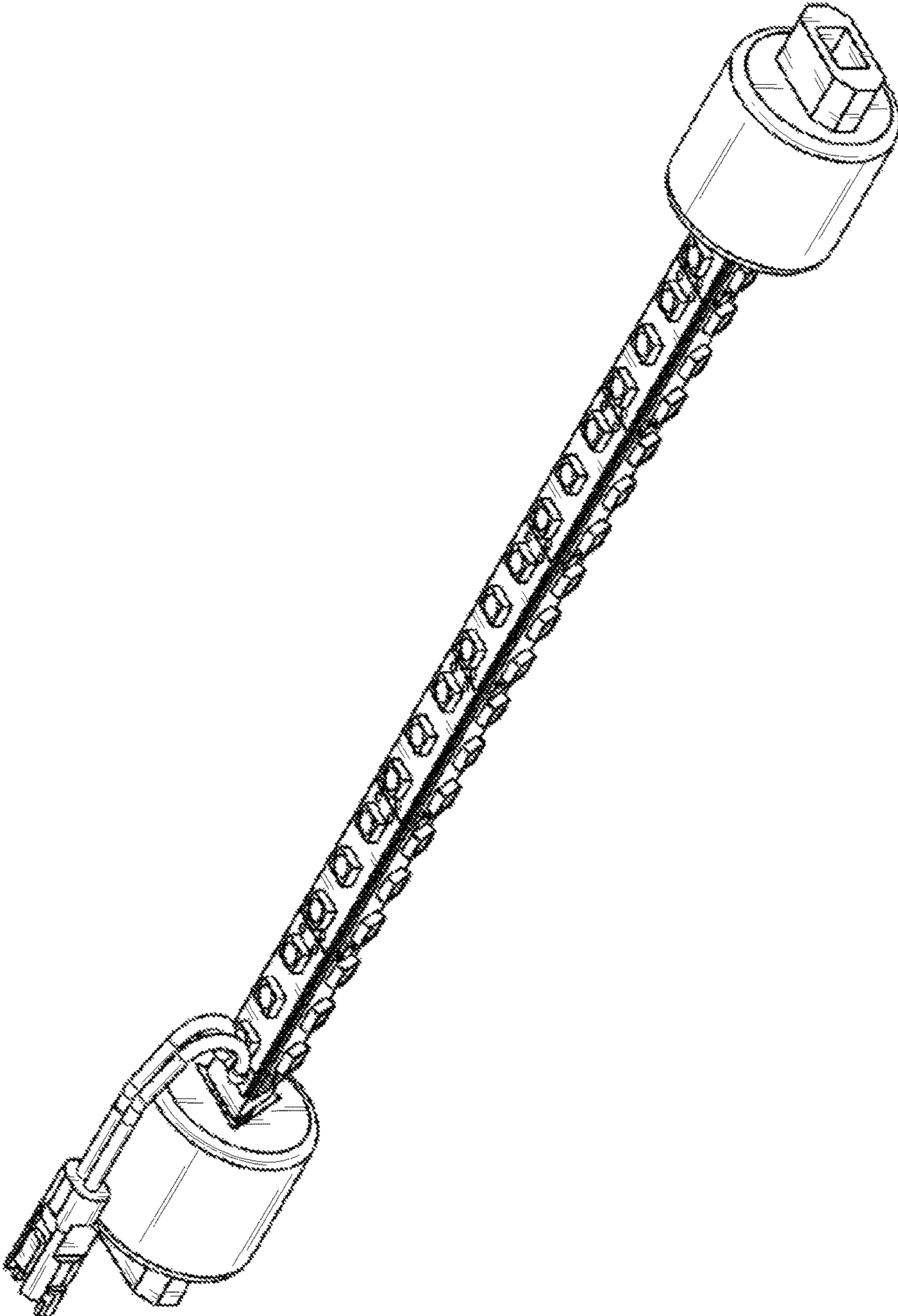


FIG. 1

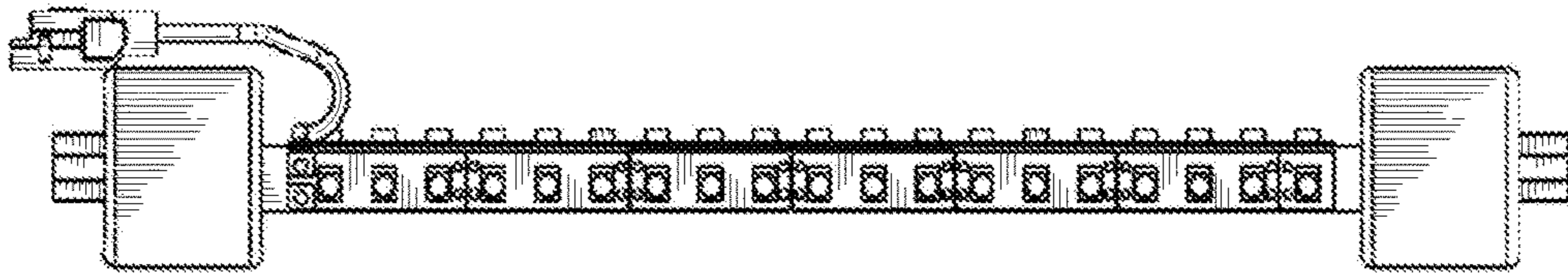


FIG. 2

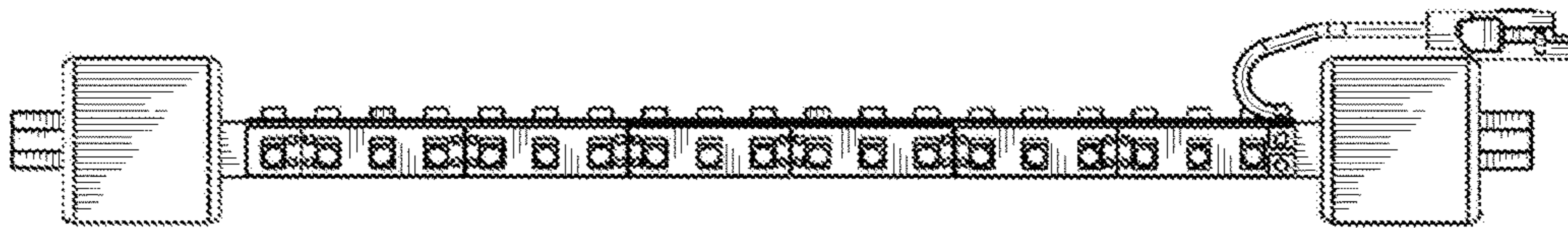


FIG. 3

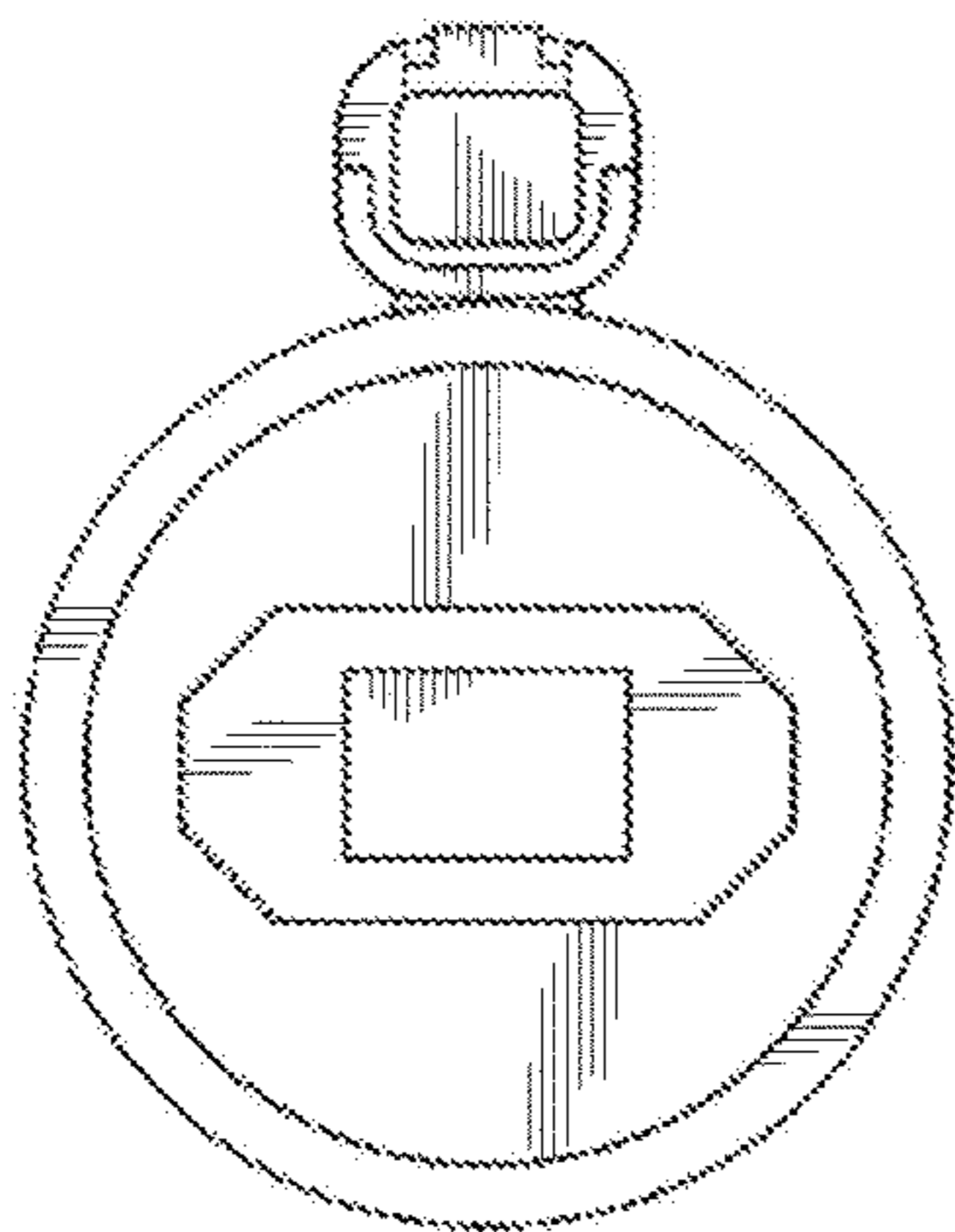


FIG. 4

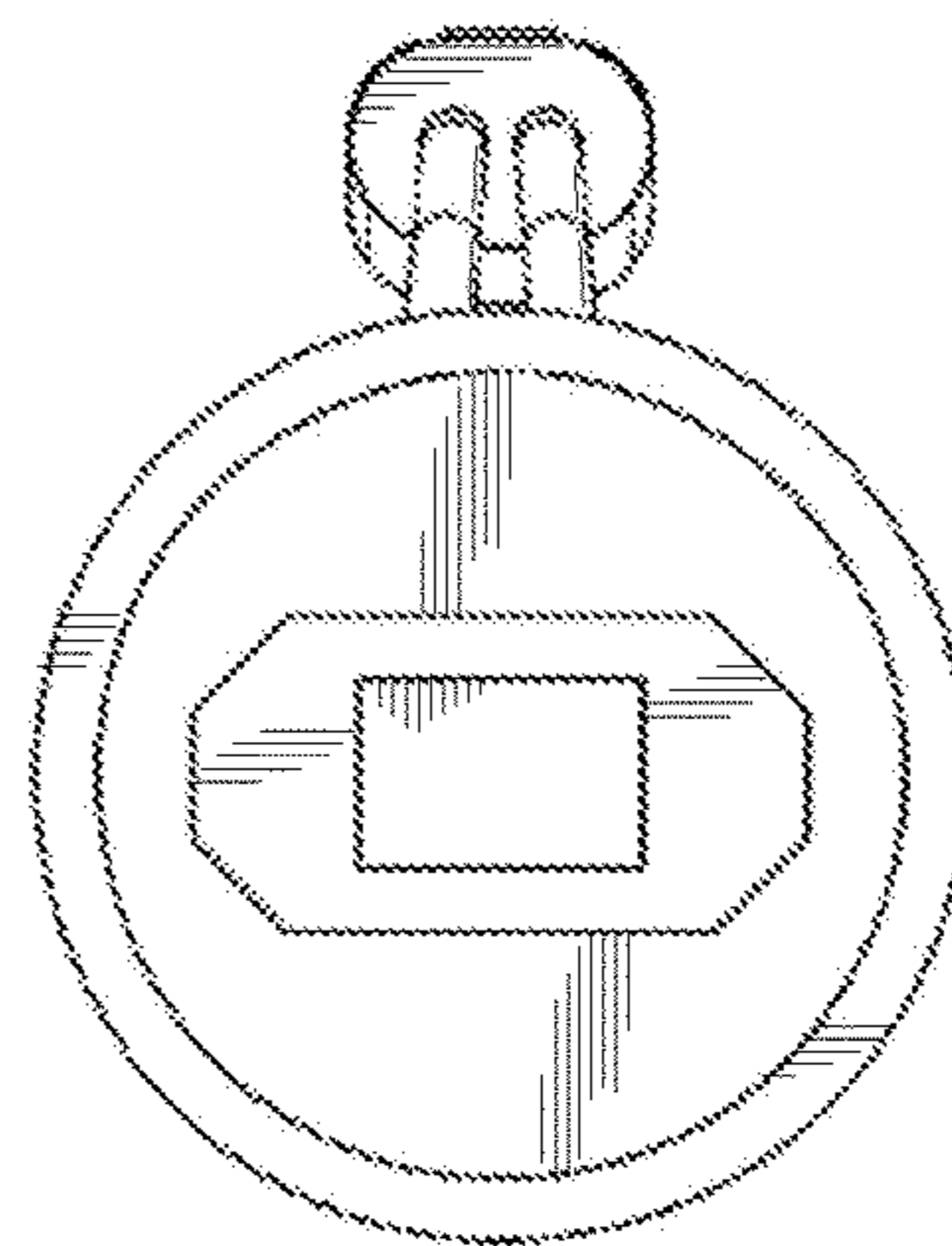


FIG. 5

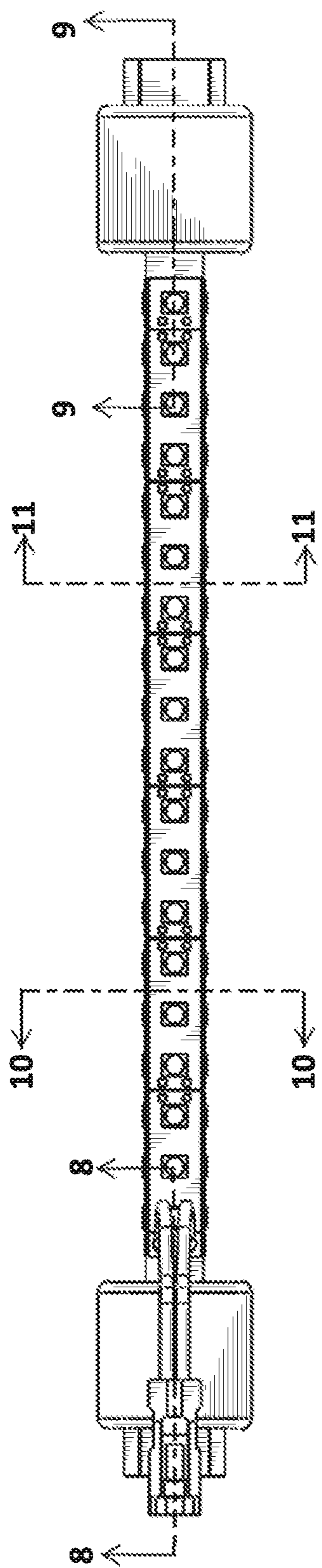


FIG. 6

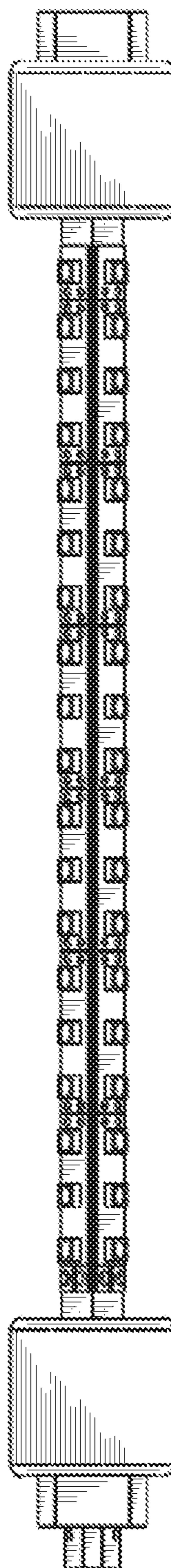


FIG. 7

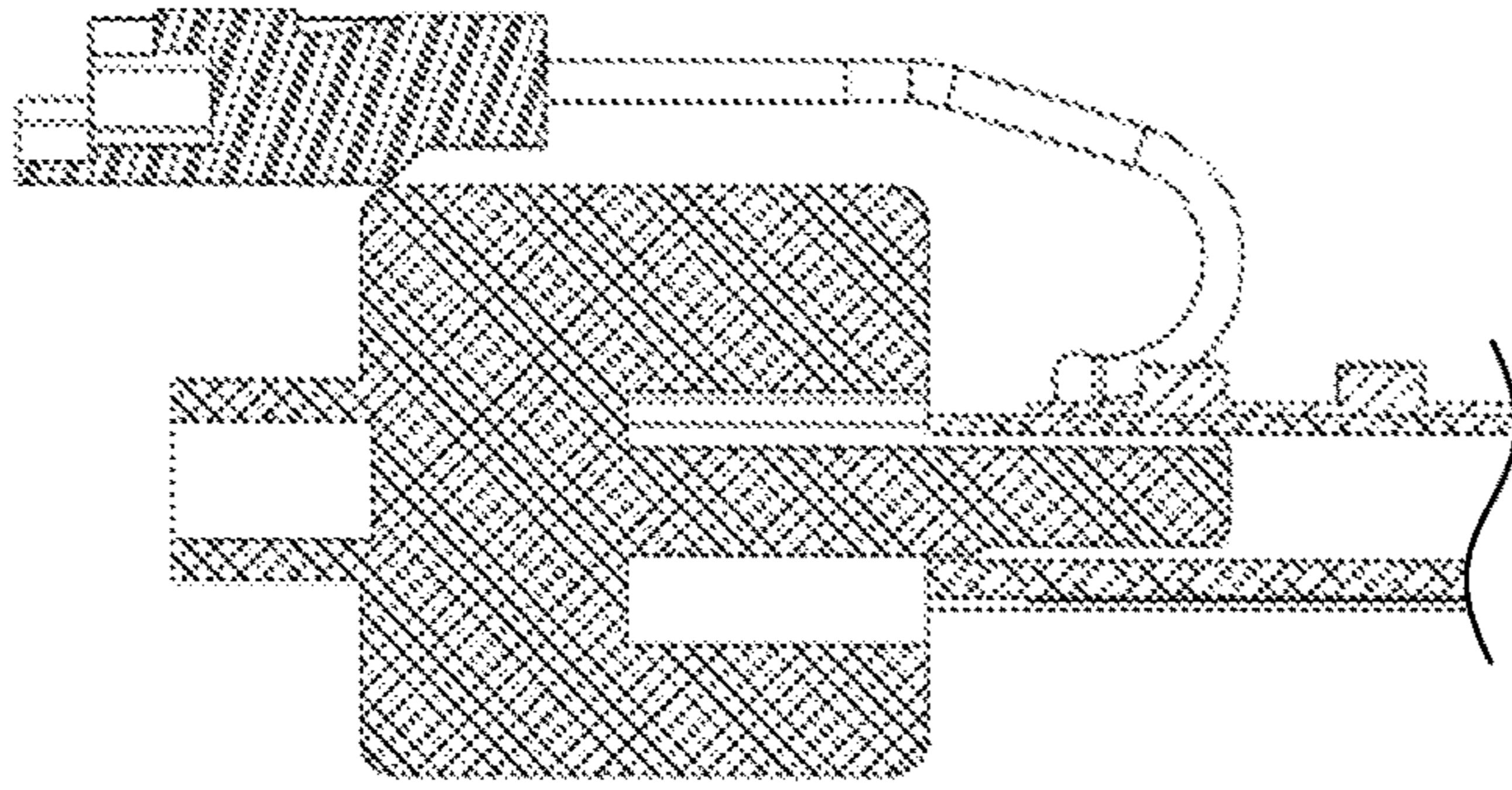


FIG. 8

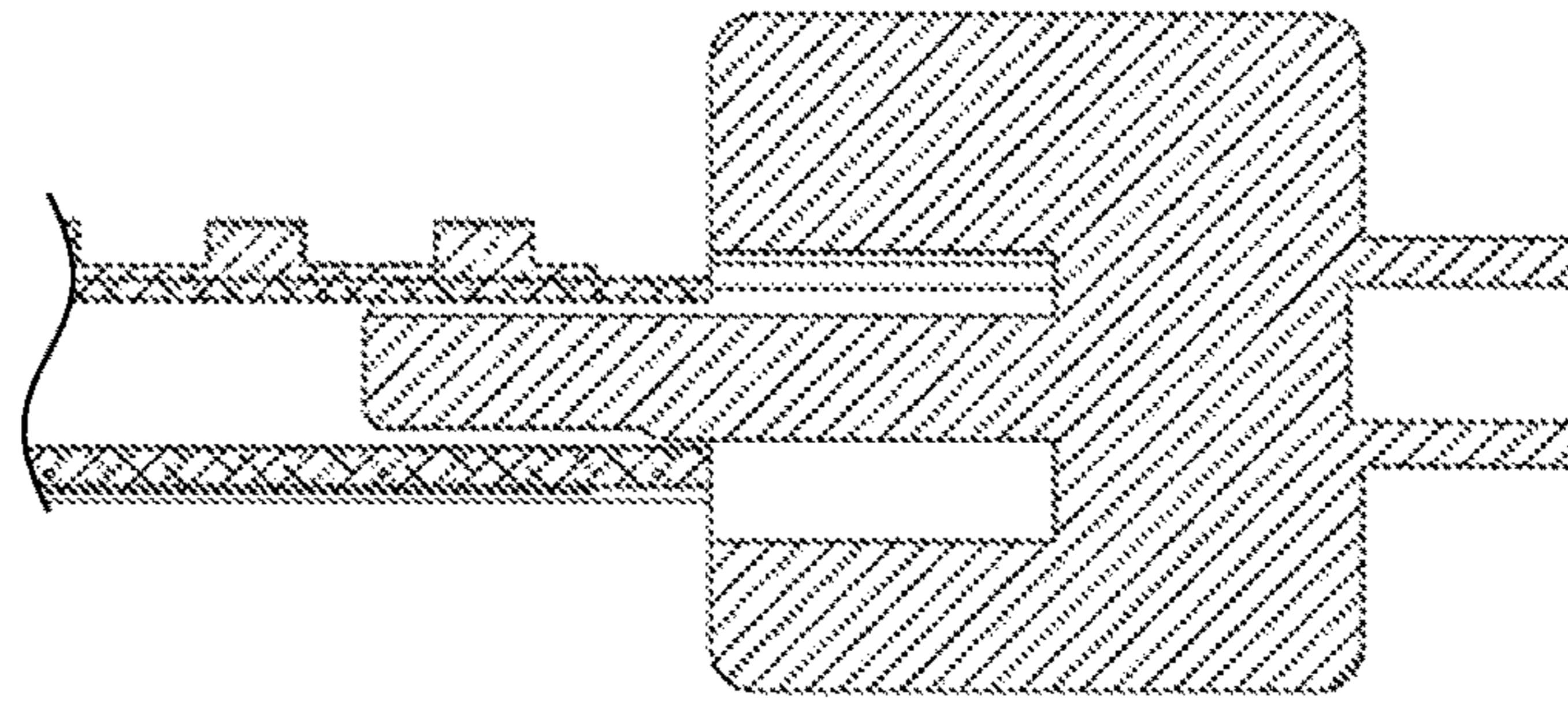


FIG. 9

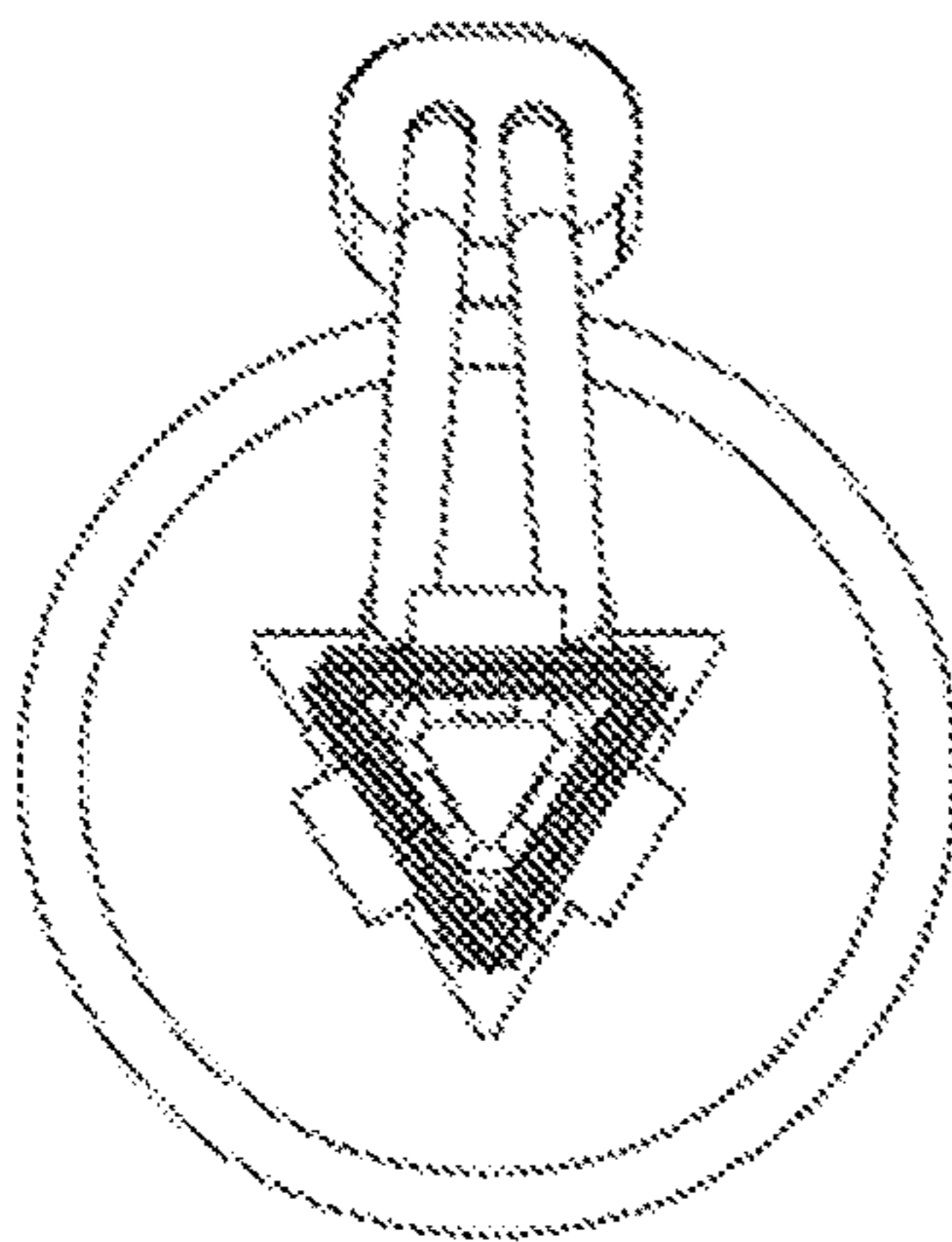


FIG. 10

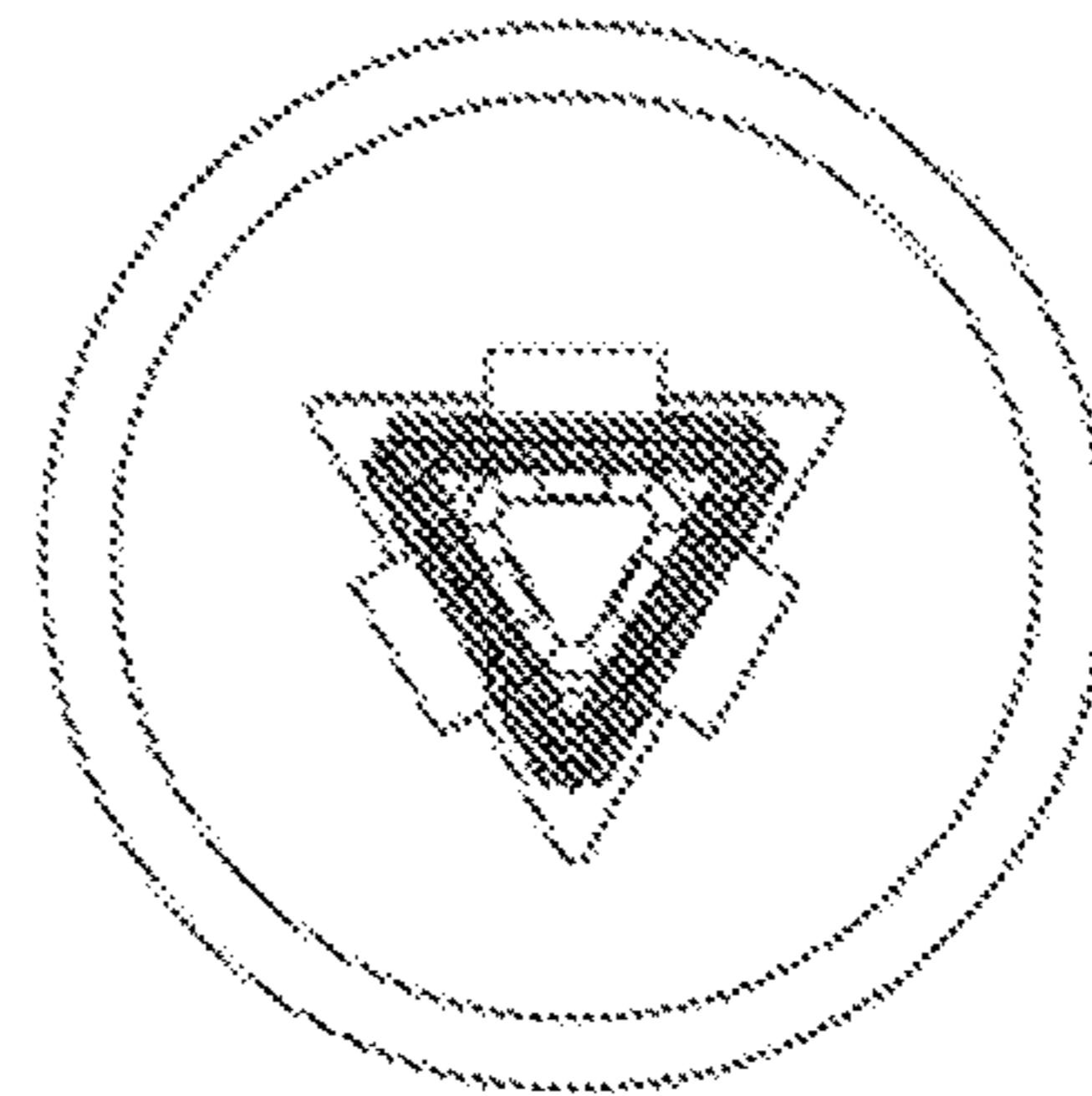


FIG. 11

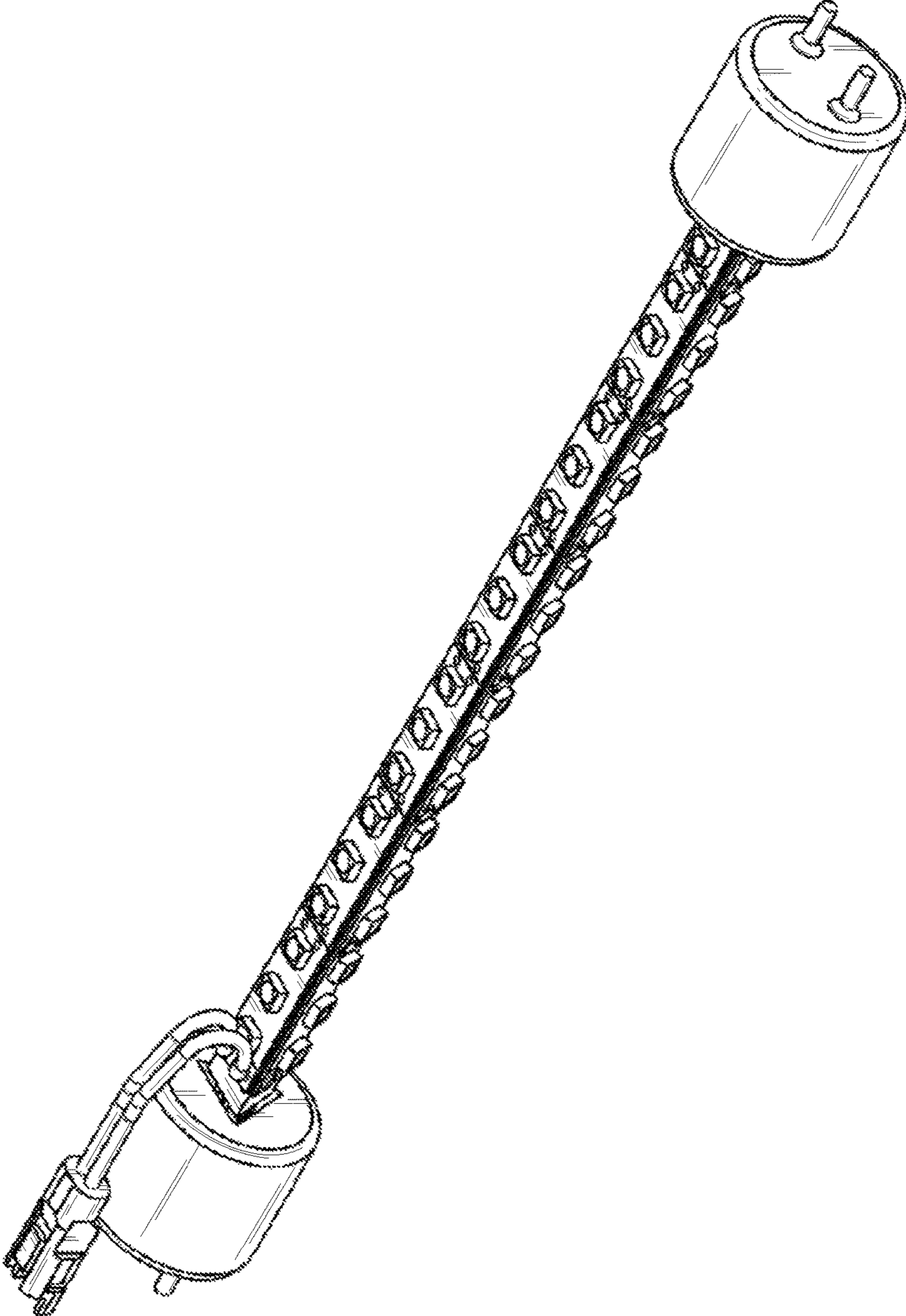


FIG. 12

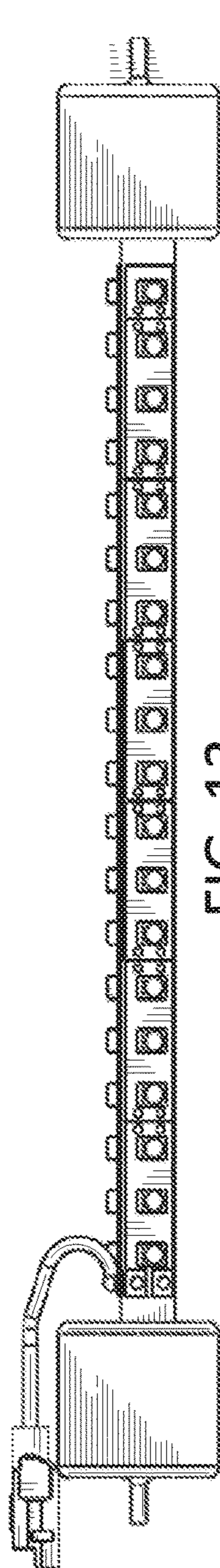


FIG. 13

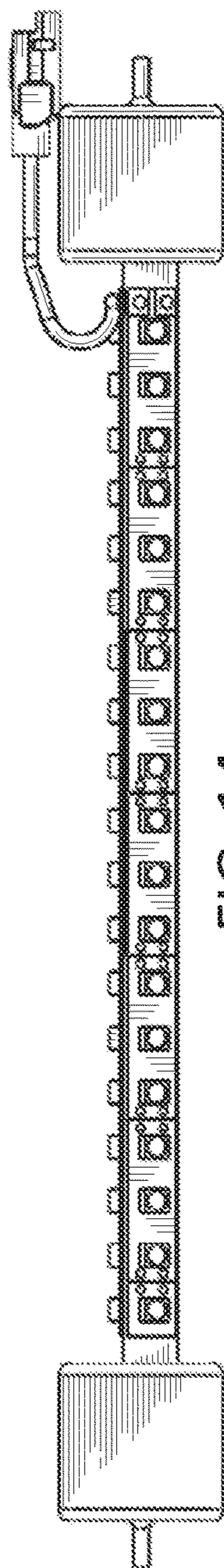


FIG. 14

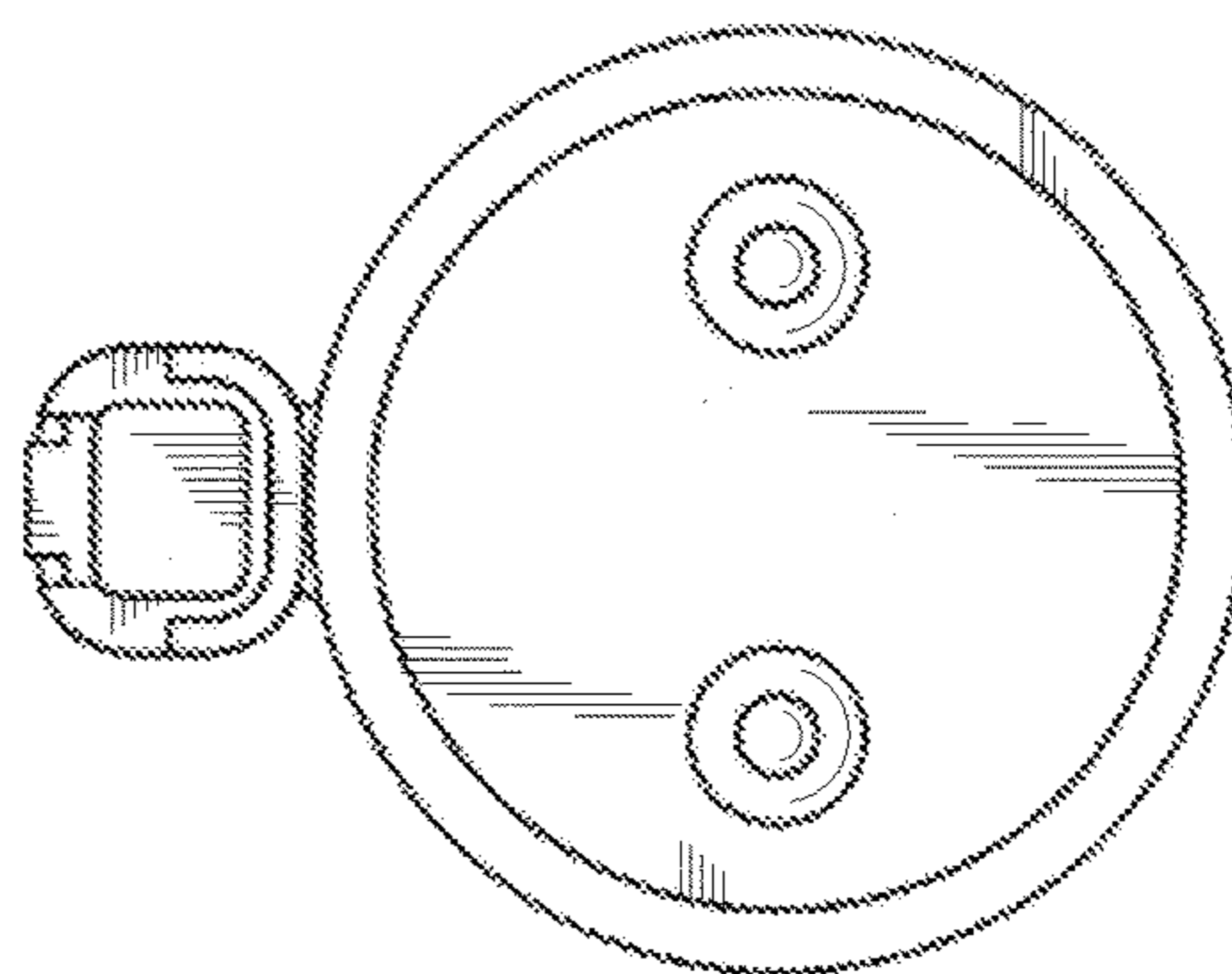


FIG. 15

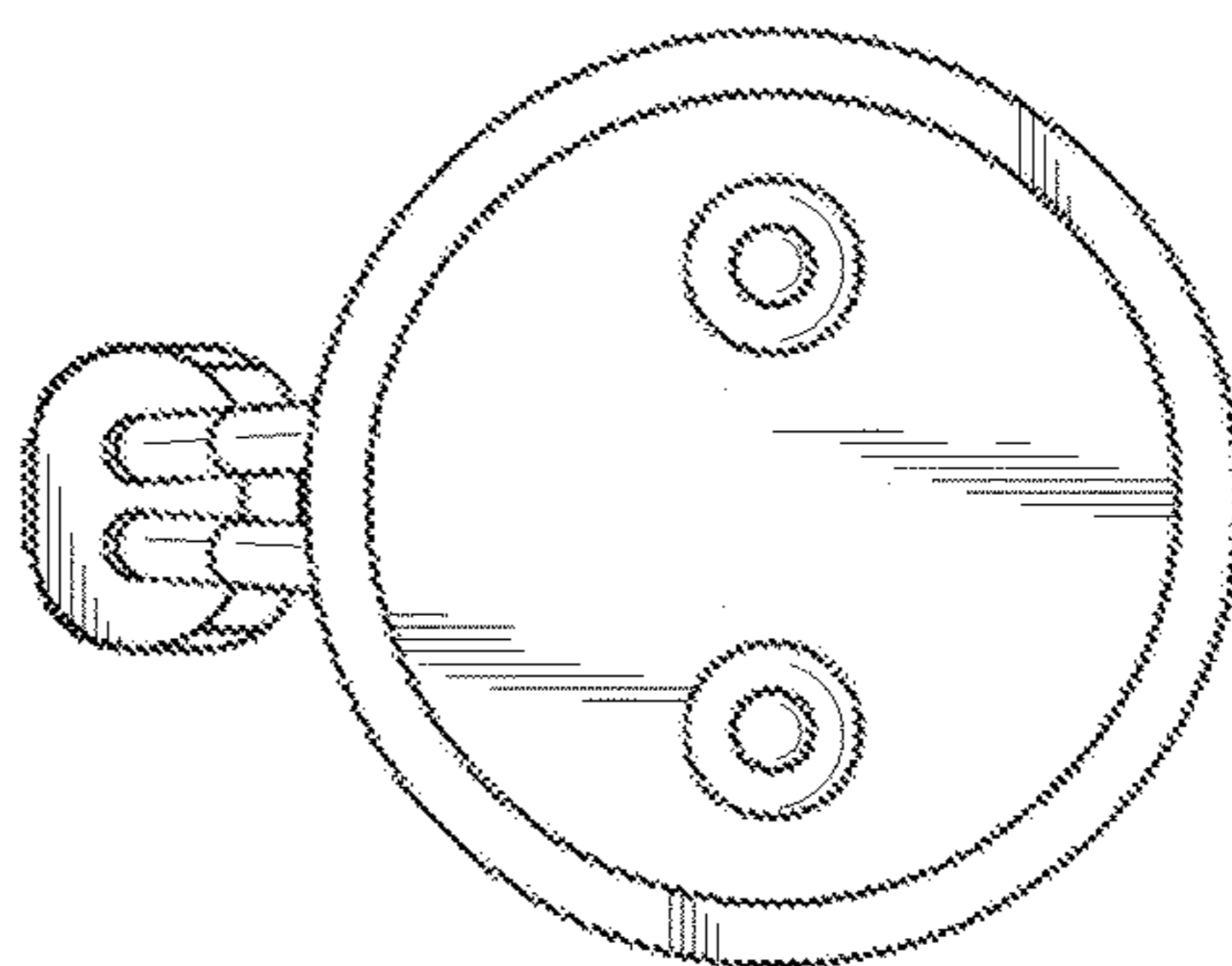
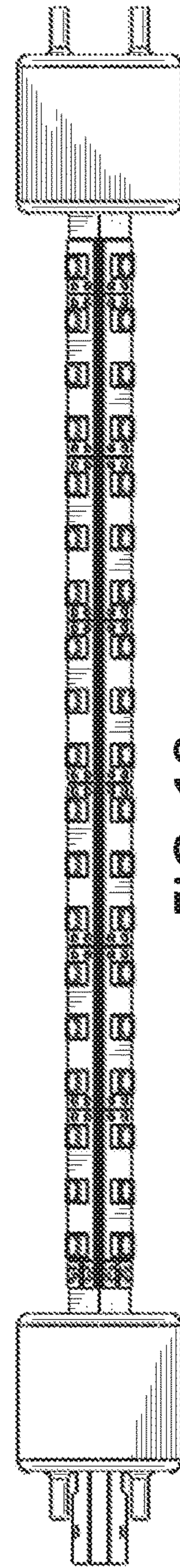
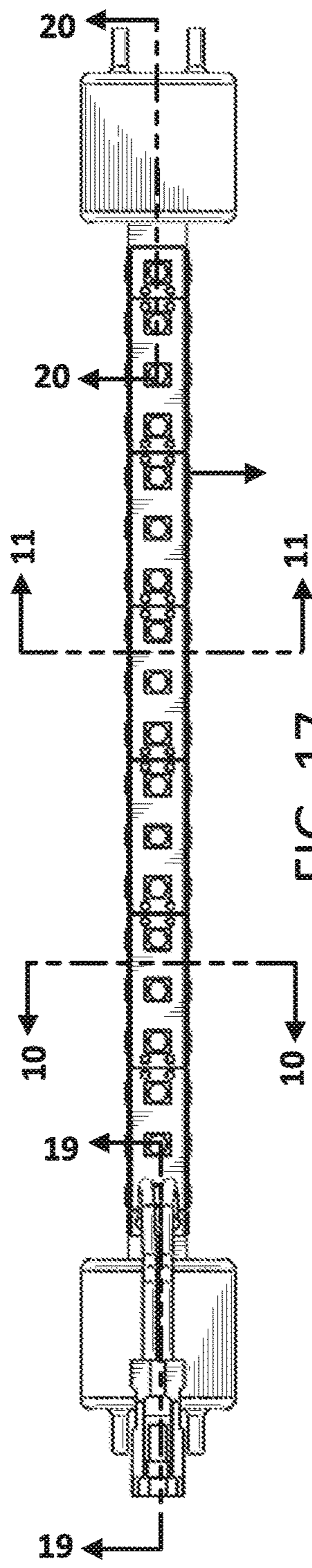


FIG. 16



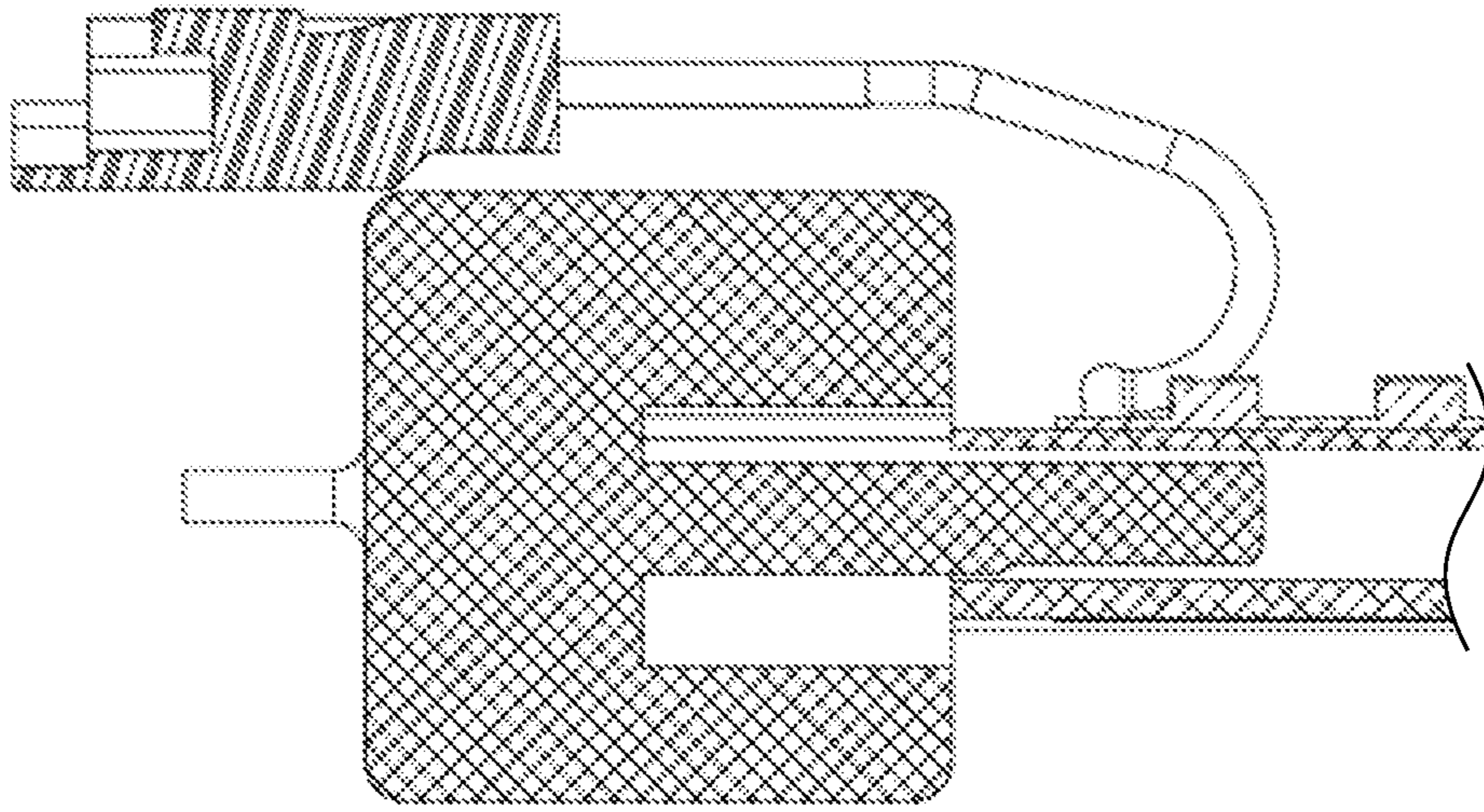


FIG. 19

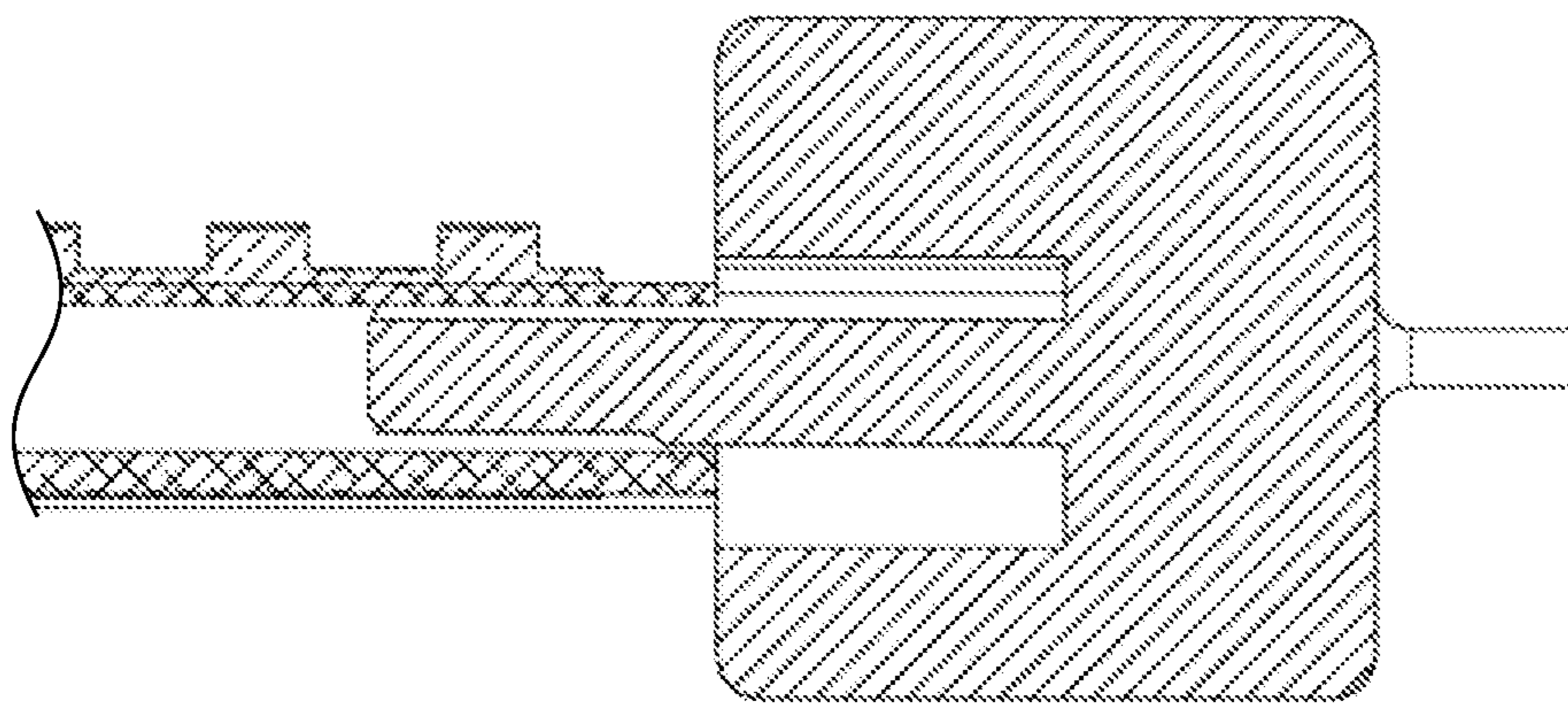


FIG. 20

UNITED STATES PATENT AND TRADEMARK OFFICE
CERTIFICATE OF CORRECTION

PATENT NO. : D811,627 S
APPLICATION NO. : 29/568321
DATED : February 27, 2018
INVENTOR(S) : Curtis Alan Roys and Sidney Howard Norton

Page 1 of 1

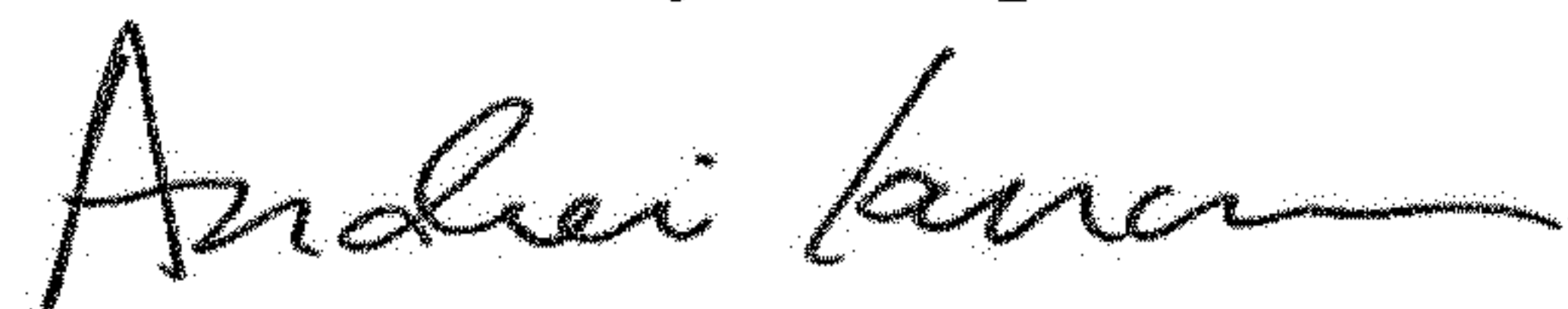
It is certified that error appears in the above-identified patent and that said Letters Patent is hereby corrected as shown below:

On the Title Page

Item (12), "Roys" should read -- Roys et al. --.

Item (72), "Sidney Howard Norton, Odessa, TX (US)", should be added as an additional inventor.

Signed and Sealed this
Seventeenth Day of September, 2019



Andrei Iancu
Director of the United States Patent and Trademark Office