



US00D811620S

(12) **United States Design Patent**
Bernhardsson et al.

(10) **Patent No.:** **US D811,620 S**
(45) **Date of Patent:** **** Feb. 27, 2018**

(54) **LADDER STEP**

(71) Applicant: **Telesteps AB**, Tranås (SE)

(72) Inventors: **Jens Bernhardsson**, Tranås (SE); **Stina Karlsson**, Tranås (SE); **Henrik Edvardsson**, Tranås (SE); **Niklas Ekstrand**, Tranås (SE); **Carl-Johan Nelson**, Tranås (SE); **Ulrik Gejervall**, Tranås (SE)

(73) Assignee: **Telesteps AB**, Tranås (SE)

(**) Term: **15 Years**

(21) Appl. No.: **29/579,757**

(22) Filed: **Oct. 3, 2016**

(30) **Foreign Application Priority Data**

Apr. 4, 2016 (EM) 003054832

(51) **LOC (11) Cl.** **25-04**

(52) **U.S. Cl.**
USPC **D25/69**

(58) **Field of Classification Search**
USPC D25/62-69; 182/120, 156, 40, 180.1, 182/202, 201, 204, 228.1, 229.2, 228.6, 182/195, 108
CPC E06C 1/387; E06C 7/00; E06C 7/50
See application file for complete search history.

(56) **References Cited**

U.S. PATENT DOCUMENTS

D462,453 S * 9/2002 Johansson D25/69
D593,685 S * 6/2009 Kieffer D25/69

D683,479 S * 5/2013 Goransson D25/69
D692,163 S * 10/2013 Goransson D25/64
D777,351 S * 1/2017 Holmberg D25/64
2007/0209875 A1 * 9/2007 Chen E06C 1/125
182/195
2010/0133041 A1 * 6/2010 Wang E06C 1/125
182/108
2010/0270106 A1 * 10/2010 Chen E06C 1/125
182/195

* cited by examiner

Primary Examiner — Cynthia Ramirez

Assistant Examiner — Gino Colan

(74) *Attorney, Agent, or Firm* — Capitol City TechLaw

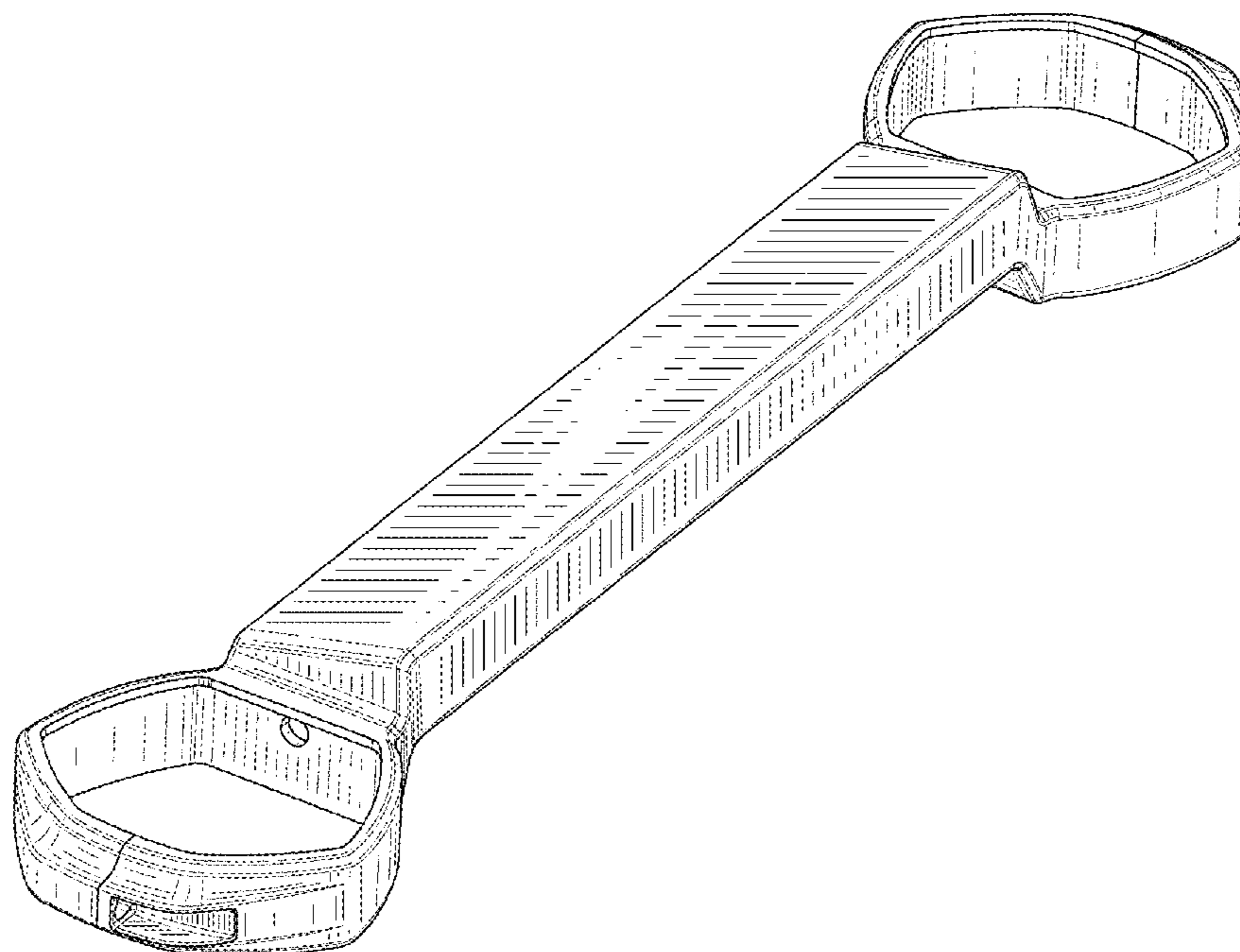
(57) **CLAIM**

The ornamental design for a ladder step, as shown and described.

DESCRIPTION

FIG. 1 is a front view of a ladder step showing our new design;
FIG. 2 is a rear view thereof;
FIG. 3 is a right side view thereof;
FIG. 4 is a top view thereof;
FIG. 5 is a bottom view thereof;
FIG. 6 is a rear, top, and right side perspective thereof; and,
FIG. 7 is a front, bottom, and right side perspective view thereof.

1 Claim, 7 Drawing Sheets



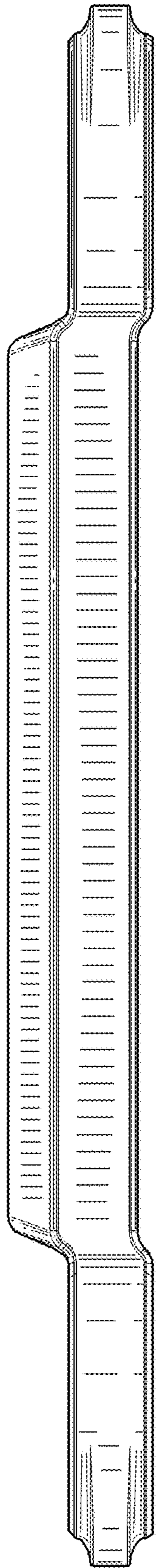


FIG. 1

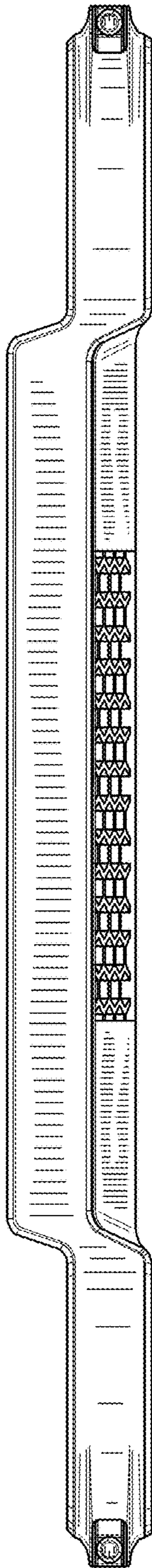


FIG. 2

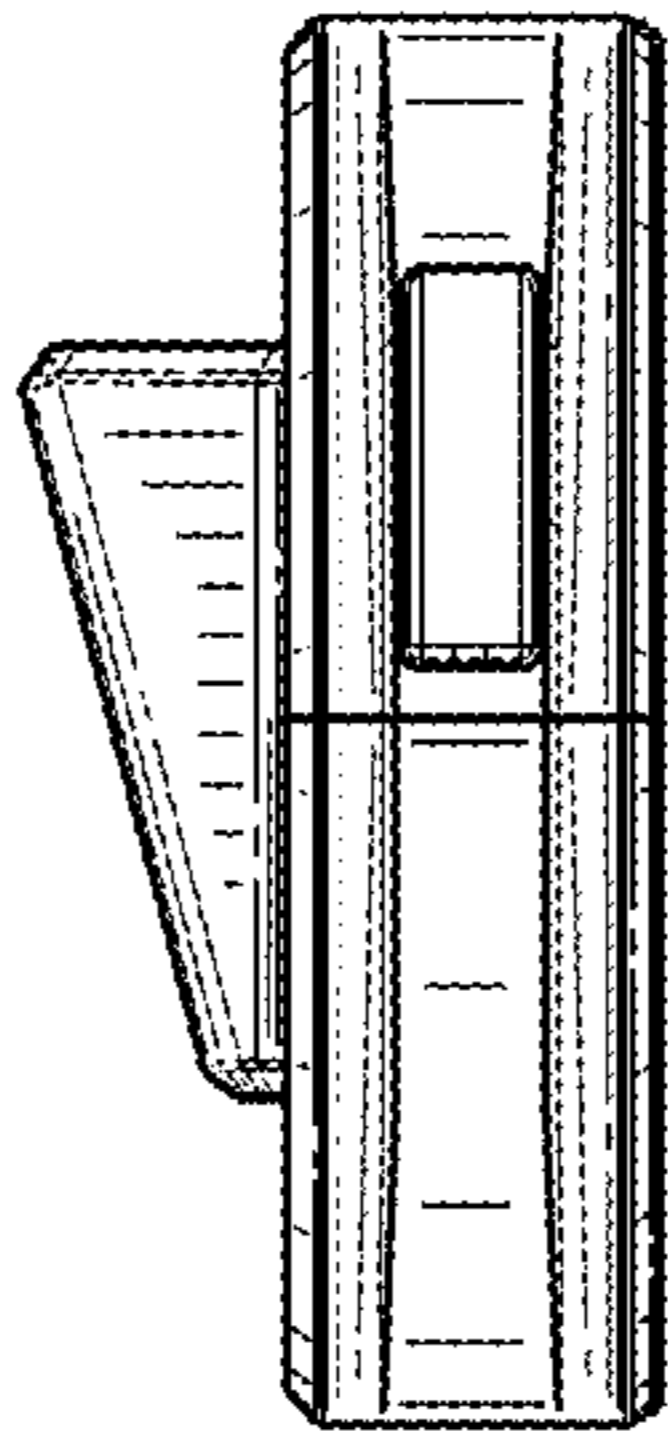


FIG. 3

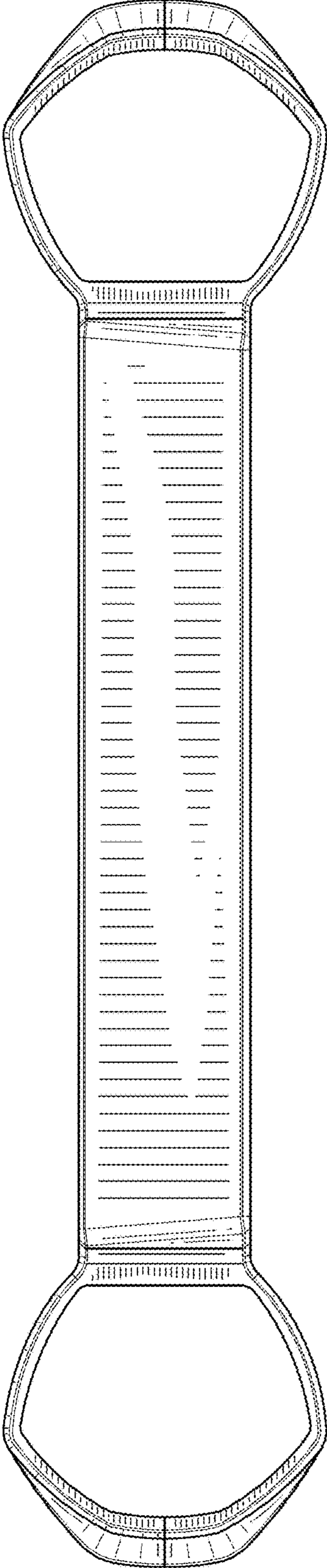


FIG. 4

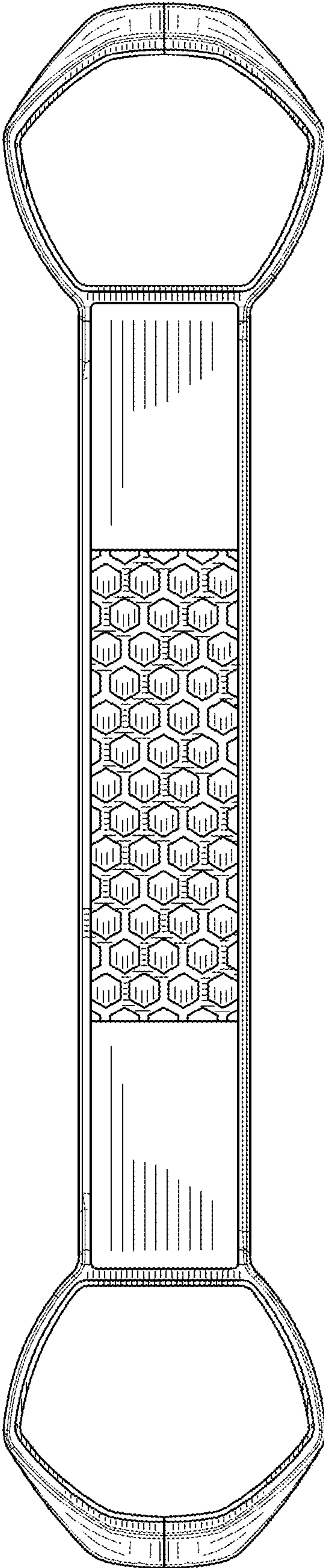


FIG. 5

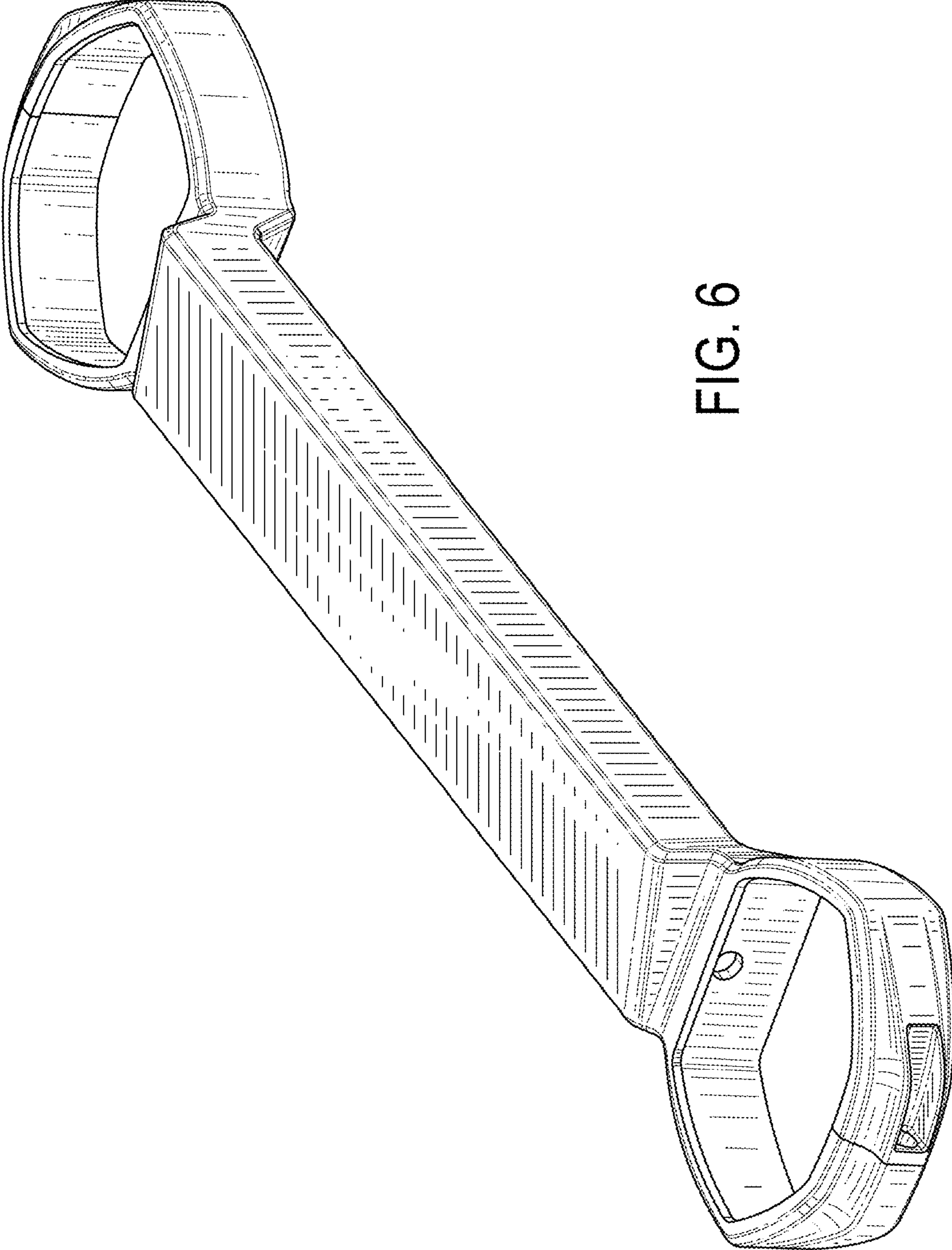


FIG. 6

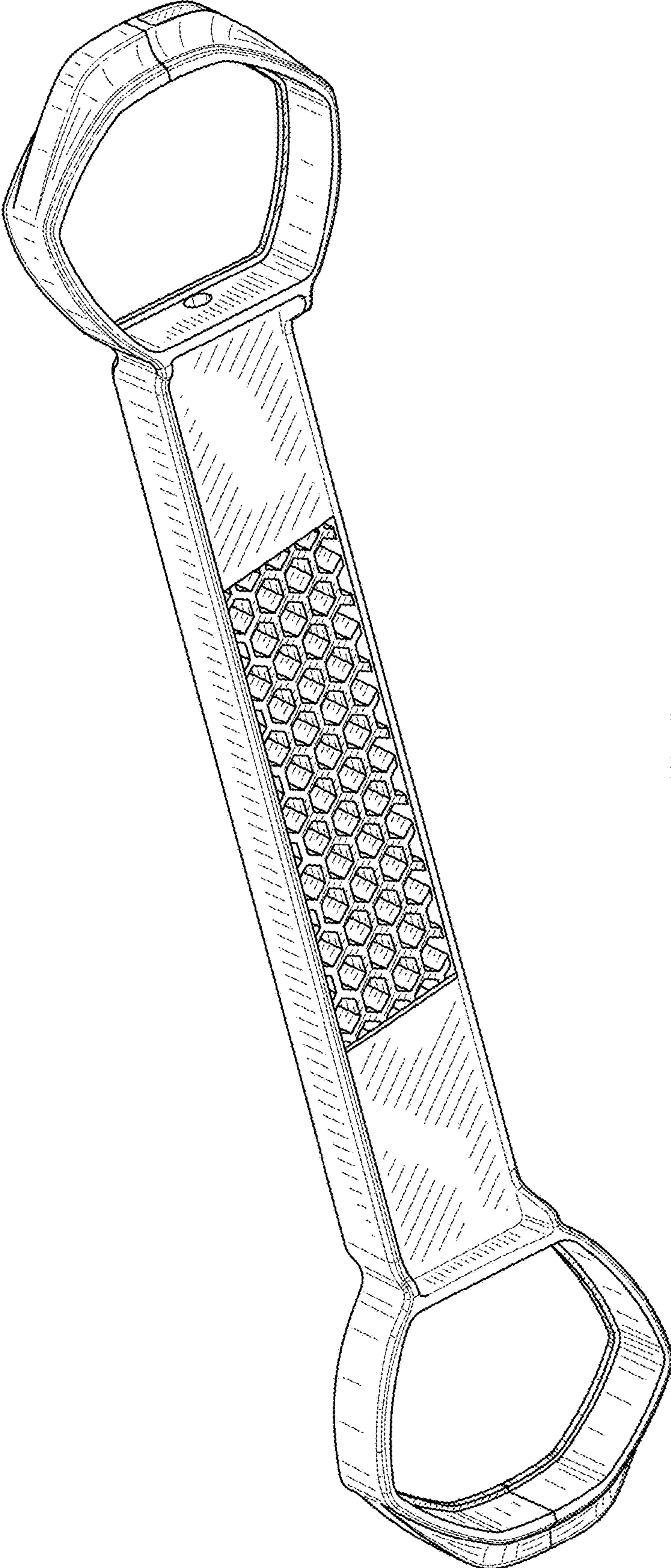


FIG. 7