



US00D811616S

(12) **United States Design Patent** (10) **Patent No.:** **US D811,616 S**
Shanafelter et al. (45) **Date of Patent:** **** Feb. 27, 2018**

- (54) **TUBE RACK**
 - (71) Applicant: **Abbott Laboratories**, Abbott Park, IL (US)
 - (72) Inventors: **Ronald J. Shanafelter**, Fremont, CA (US); **Roger W. Accurso**, Fremont, CA (US)
 - (73) Assignee: **Abbott Laboratories**, Abbott Park, IL (US)
- | | |
|--|--|
| <ul style="list-style-type: none"> D645,156 S * 9/2011 Reitze D24/227 8,161,831 B2 4/2012 Fukuma 8,246,919 B2 * 8/2012 Herchenbach B01L 9/06
211/71.01 8,262,994 B2 9/2012 Hamada et al. 8,333,123 B2 12/2012 Tatsutani et al. D674,507 S * 1/2013 Suzuki D24/229 D675,338 S * 1/2013 Suzuki D24/229 D683,046 S * 5/2013 Yin D24/230 8,534,456 B2 9/2013 Kimura et al. 8,623,657 B2 1/2014 Durack et al. 8,697,014 B2 * 4/2014 Suzuki B01L 9/06
206/443 | |
|--|--|

(Continued)

(**) Term: **15 Years**

(21) Appl. No.: **29/549,019**

(22) Filed: **Dec. 18, 2015**

(51) **LOC (11) Cl.** **24-02**

(52) **U.S. Cl.**
USPC **D24/227**

(58) **Field of Classification Search**
USPC D24/227-230; 422/562, 561, 463, 560,
422/564; 211/74, 70.1; 206/443
CPC B01L 9/06; B01L 9/065
See application file for complete search history.

(56) **References Cited**

U.S. PATENT DOCUMENTS

- | | | | |
|--------------|---------|------------------|---------|
| D413,677 S * | 9/1999 | Dumitrescu | D24/227 |
| D417,009 S * | 11/1999 | Boyd | D24/227 |
| D420,747 S * | 2/2000 | Dumitrescu | D24/227 |
| D421,130 S * | 2/2000 | Cohen | D24/229 |
| 6,019,945 A | 2/2000 | Ohishi et al. | |
| D428,497 S * | 7/2000 | Lapeus | D24/227 |
| D448,854 S * | 10/2001 | Kuiper | D24/227 |
| 7,303,920 B2 | 12/2007 | Stokes et al. | |
| 7,448,487 B2 | 11/2008 | Koike | |
| 7,578,978 B2 | 8/2009 | Justin et al. | |
| 7,850,914 B2 | 12/2010 | Veiner et al. | |
| 7,854,892 B2 | 12/2010 | Veiner et al. | |
| 7,945,428 B2 | 5/2011 | Fox et al. | |
| 7,998,409 B2 | 8/2011 | Veiner et al. | |

FOREIGN PATENT DOCUMENTS

- | | | |
|----|---------|---------|
| EP | 0867724 | 9/1998 |
| EP | 1152244 | 11/2001 |
| EP | 1680225 | 7/2006 |

Primary Examiner — Susan Bennett Hattan
Assistant Examiner — Rebecca Tsehaye
(74) *Attorney, Agent, or Firm* — Edward J. Baba;
Bozicevic, Field & Francis LLP

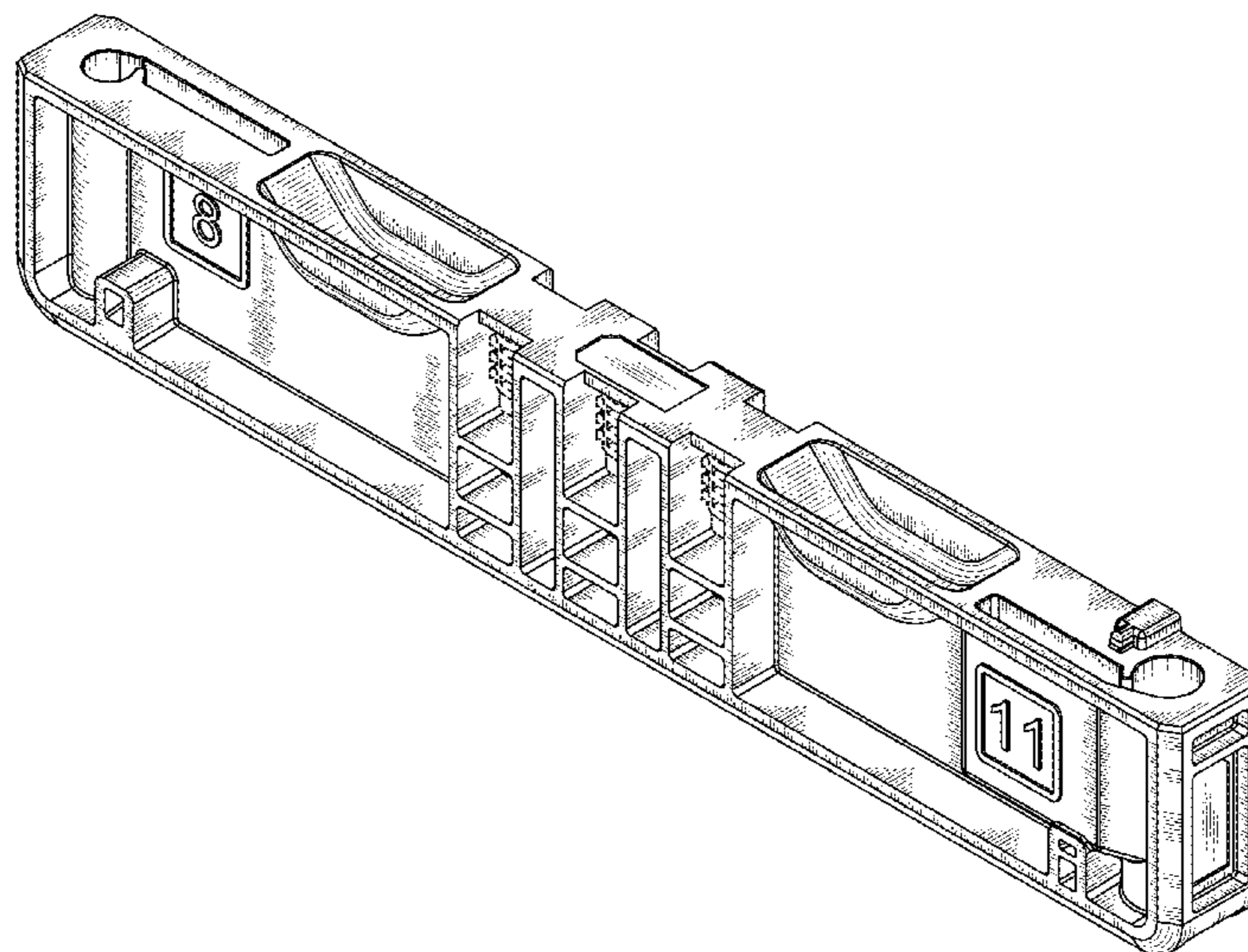
(57) **CLAIM**

The ornamental design for tube rack, as shown and described.

DESCRIPTION

FIG. 1 is a top perspective view of a tube rack;
FIG. 2 is a bottom perspective view of the tube rack;
FIG. 3 is a top view of the tube rack;
FIG. 4 is a bottom view of the tube rack;
FIG. 5 is a front view of the tube rack;
FIG. 6 is a back view of the tube rack;
FIG. 7 is a first side view of the tube rack; and,
FIG. 8 is a second side view of the tube rack.
The broken lines in the drawings depict portions of the tube rack that form no part of the claimed design.

1 Claim, 5 Drawing Sheets



(56)

References Cited

U.S. PATENT DOCUMENTS

8,698,644	B2	4/2014	Okubo	
8,772,738	B2	7/2014	Ozasa et al.	
8,845,985	B2 *	9/2014	Herchenbach	B01L 9/06 211/71.01
8,848,094	B2	9/2014	Li	
8,865,072	B2	10/2014	Nagai et al.	
8,977,030	B2	3/2015	Yamada	
9,040,304	B2	5/2015	Durack et al.	
9,091,803	B2	7/2015	Meng et al.	
9,144,801	B2 *	9/2015	Johnson	B01L 9/06
9,157,925	B2	10/2015	Yamasaki et al.	
9,243,995	B2	1/2016	Fox et al.	
2003/0034317	A1 *	2/2003	Lafond	B01L 9/06 211/74
2012/0051987	A1 *	3/2012	Johnson	B01L 9/06 422/562
2015/0132841	A1 *	5/2015	Sampson	B01L 3/50853 435/306.1

* cited by examiner

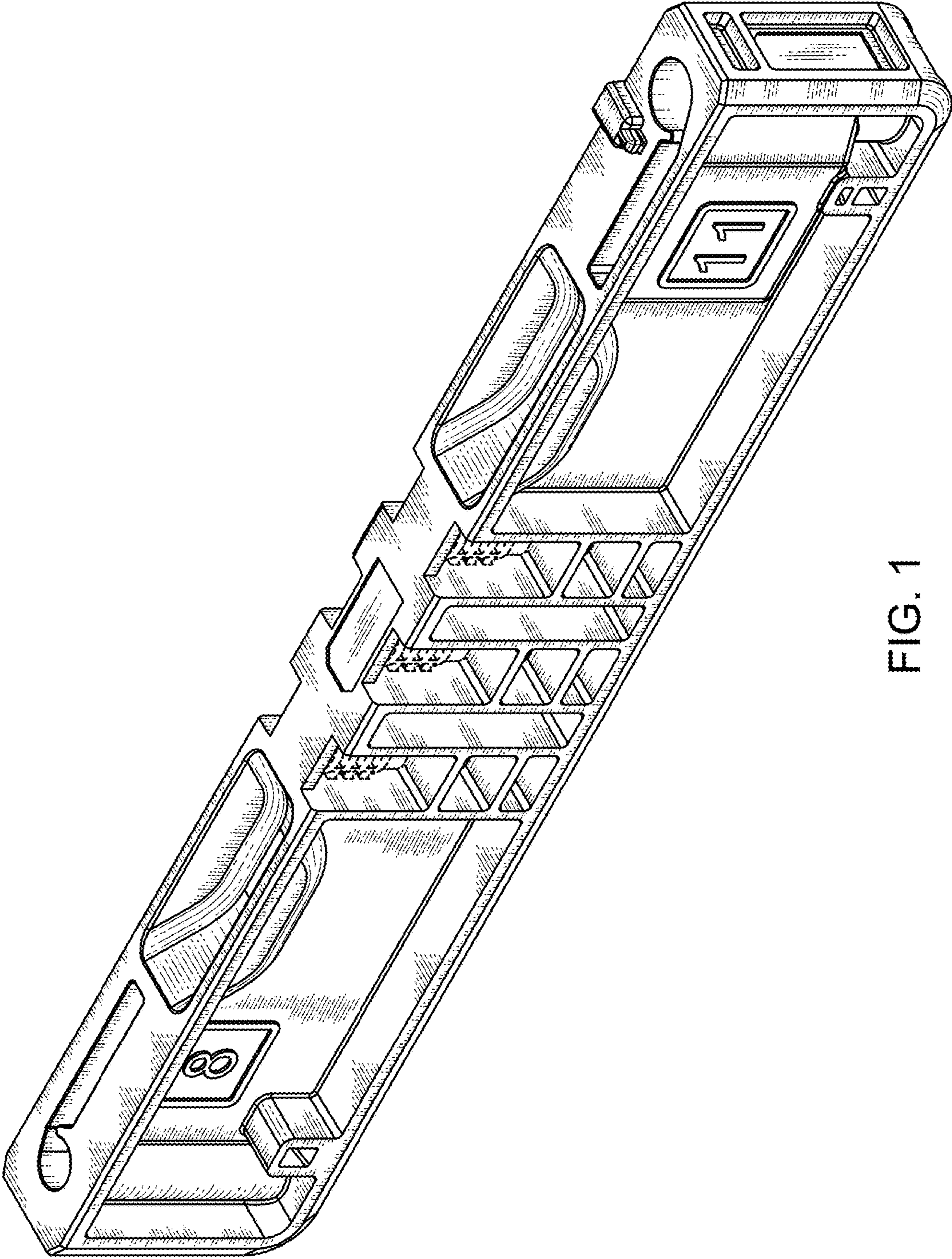


FIG. 1

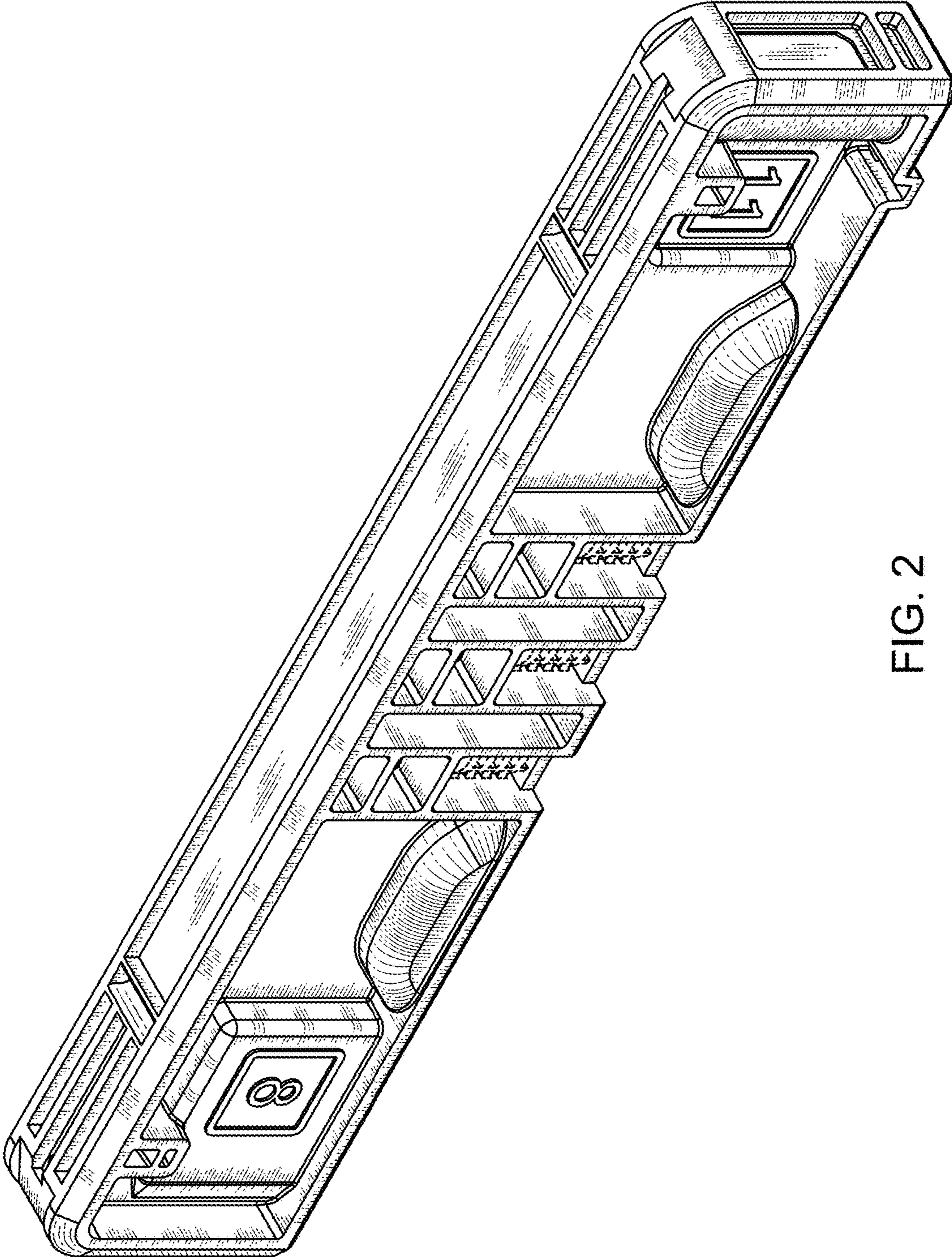


FIG. 2

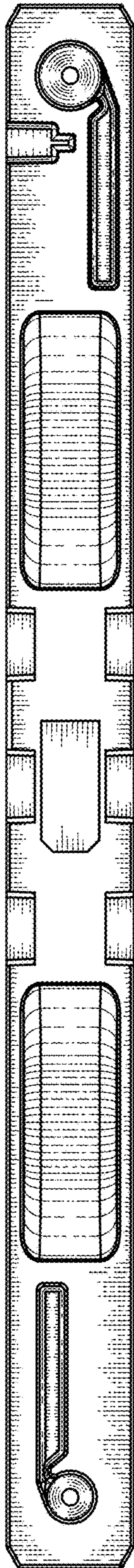


FIG. 3

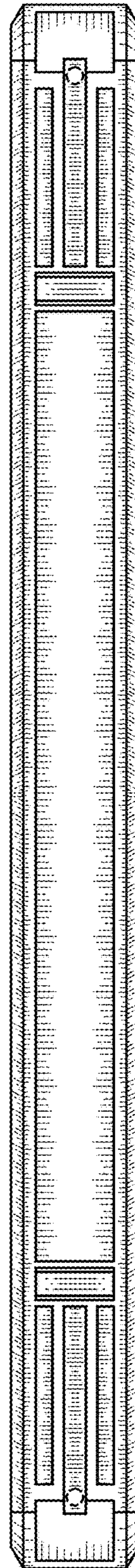


FIG. 4

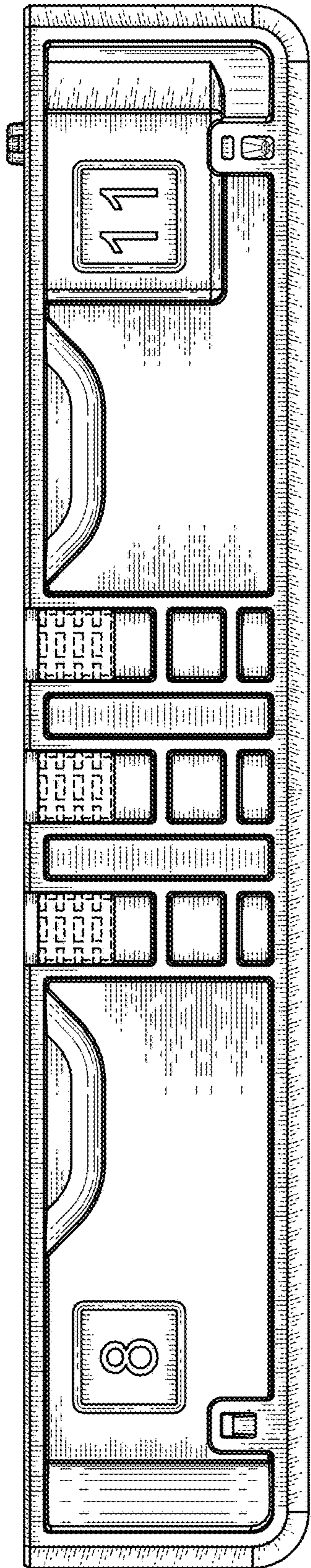


FIG. 5

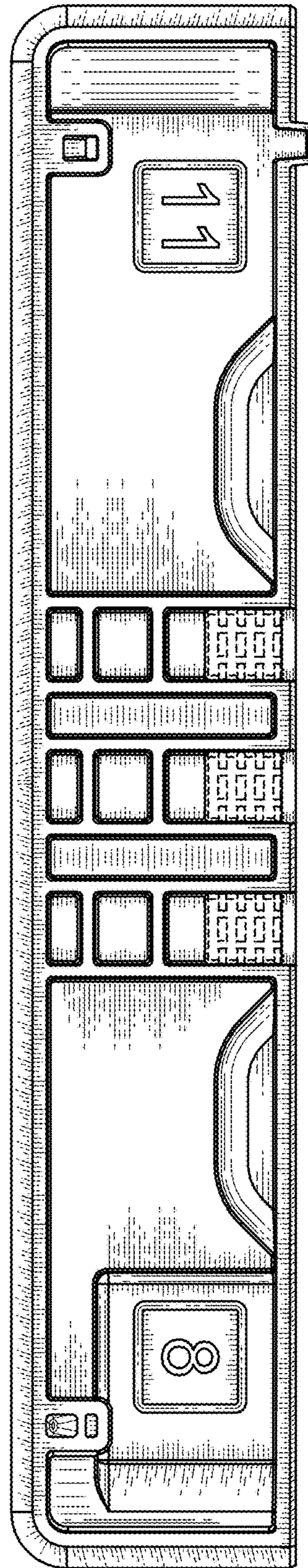


FIG. 6

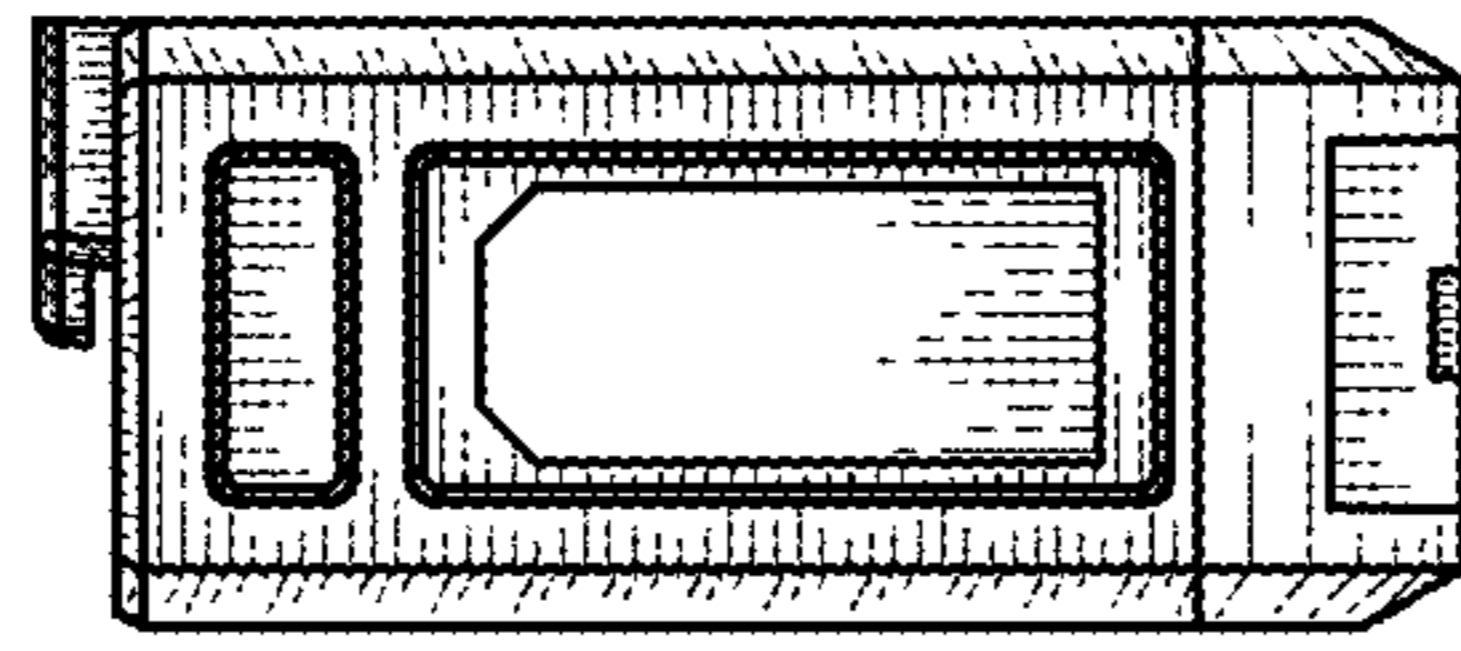


FIG. 8

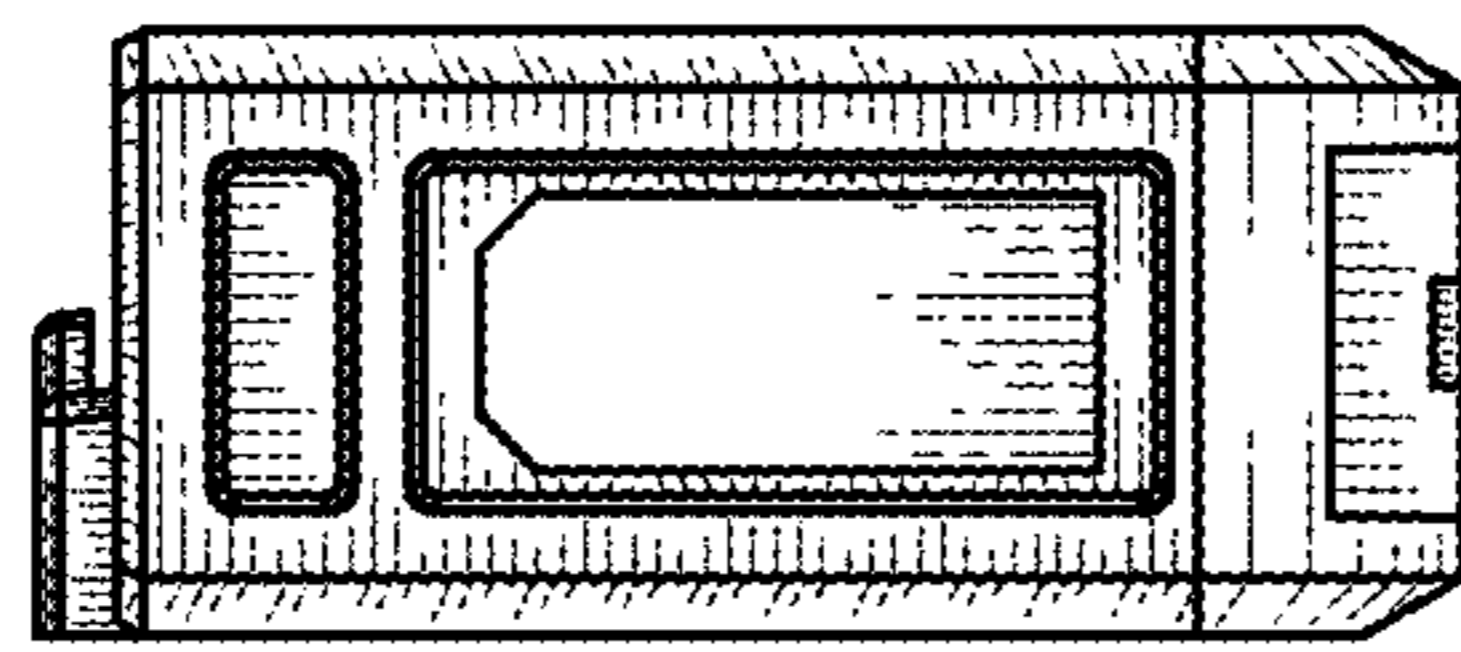


FIG. 7