



US00D811614S

(12) **United States Design Patent** (10) **Patent No.:** **US D811,614 S**  
**Marton et al.** (45) **Date of Patent:** **\*\* \*Feb. 27, 2018**

(54) **BACK BRACE WITH HEATING AND VIBRATION**

*Primary Examiner* — Charles D Hanson  
(74) *Attorney, Agent, or Firm* — Patterson Intellectual Property Law, P.C.; Jerry Turner Sewell

(71) Applicant: **Hyper Ice, Inc.**, Irvine, CA (US)

(72) Inventors: **Robert Marton**, Yorba Linda, CA (US); **Anthony Katz**, Laguna Niguel, CA (US)

(57) **CLAIM**

The ornamental design for a “back brace with heating and vibration,” as shown and described.

(73) Assignee: **Hyper Ice, Inc.**, Irvine, CA (US)

(\*) Notice: This patent is subject to a terminal disclaimer.

**DESCRIPTION**

(\*\*) Term: **15 Years**

FIG. 1 is a front perspective view of an embodiment of the present design with the back brace configured with overlapped ends.

(21) Appl. No.: **29/578,127**

FIG. 2 is a rear perspective view of the embodiment of the present design with the back brace configured with overlapped ends.

(22) Filed: **Sep. 19, 2016**

FIG. 3 is a front perspective view of the embodiment of the present design with the back brace in a flattened configuration

(51) **LOC (11) Cl.** ..... **24-03**

(52) **U.S. Cl.**  
USPC ..... **D24/190**

FIG. 4 is a rear perspective view of the embodiment of the present design with the back brace in the flattened configuration of FIG. 3.

(58) **Field of Classification Search**  
USPC ..... **D24/190**

(Continued)

(56) **References Cited**

**U.S. PATENT DOCUMENTS**

3,810,466 A \* 5/1974 Rogers ..... A61F 5/055  
128/DIG. 15  
3,921,626 A \* 11/1975 Neel ..... A61F 5/055  
128/DIG. 23

(Continued)

**FOREIGN PATENT DOCUMENTS**

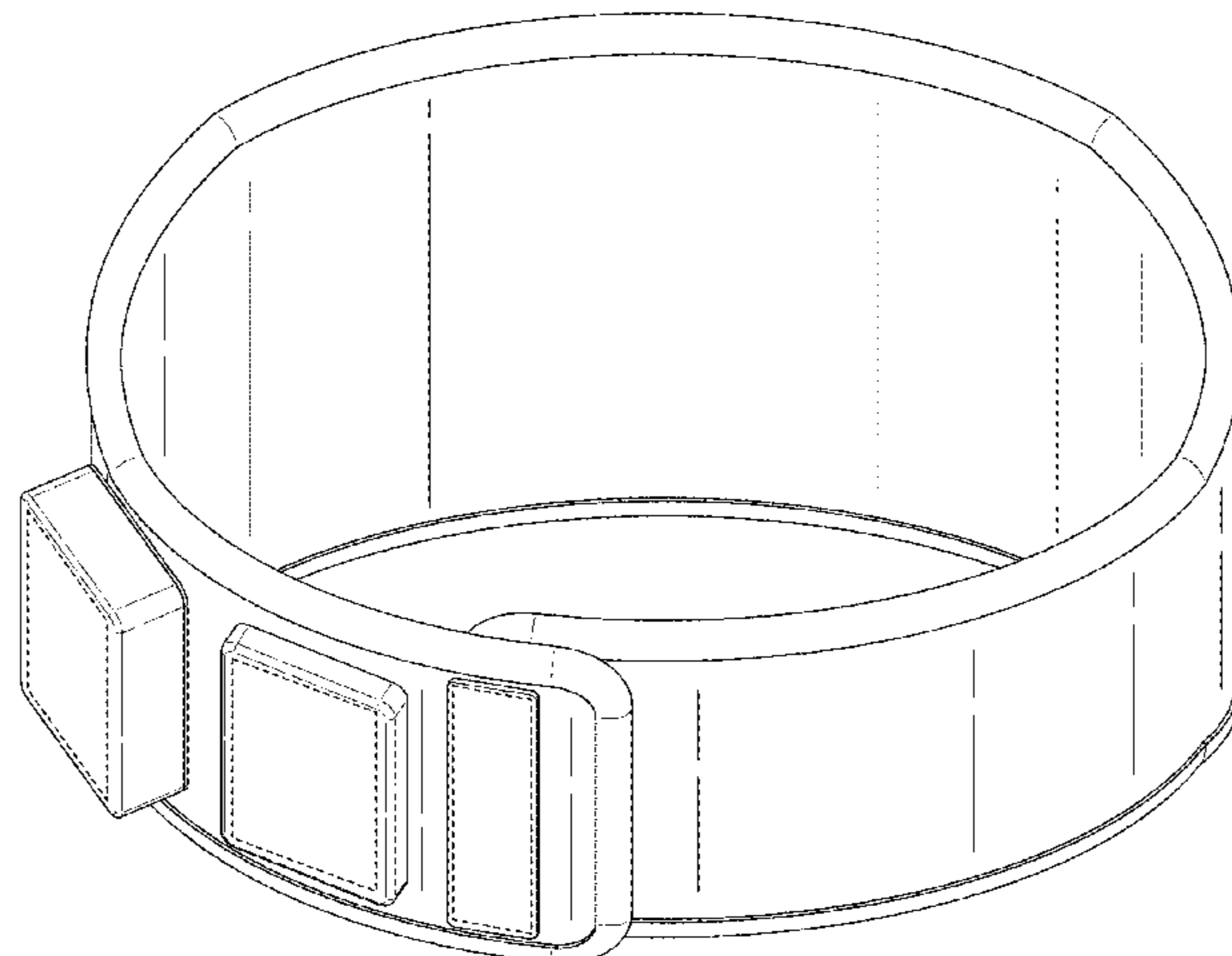
WO 2008094485 A2 8/2008  
WO 2012024366 A1 2/2012

**OTHER PUBLICATIONS**

[http://www.alibaba.com/product-detail/Far-infrared-Arthrosis-hot-message.apparatus\\_6005767663827.html](http://www.alibaba.com/product-detail/Far-infrared-Arthrosis-hot-message.apparatus_6005767663827.html)—accessed online Jun. 8, 2015.

FIG. 5 is a front elevation view of the embodiment of the present design with the back brace in the flattened configuration of FIG. 3.  
FIG. 6 is a rear elevation view of the embodiment of the present design with the back brace in the flattened configuration of FIG. 3.  
FIG. 7 is a top plan view of the embodiment of the present design with the back brace in the flattened configuration of FIG. 3.  
FIG. 8 is a bottom plan view of the embodiment of the present design with the back brace in the flattened configuration of FIG. 3.  
FIG. 9 is a left side elevation view of the embodiment of the present design with the back brace in the flattened configuration of FIG. 3; and,  
FIG. 10 is a right side elevation view of the embodiment of the present design with the back brace in the flattened configuration of FIG. 3.

(Continued)



In FIGS. 1-10, broken lines are shown to define boundaries around portions of the article which are not part of the claimed design.

**1 Claim, 6 Drawing Sheets**

(58) **Field of Classification Search**

CPC .. A61F 5/0118; A61F 5/0123; A61F 5/05866;  
A61F 5/055; A61F 13/128; A61H 3/00;  
A61H 2003/007; A61H 2205/10; A61B  
5/6822

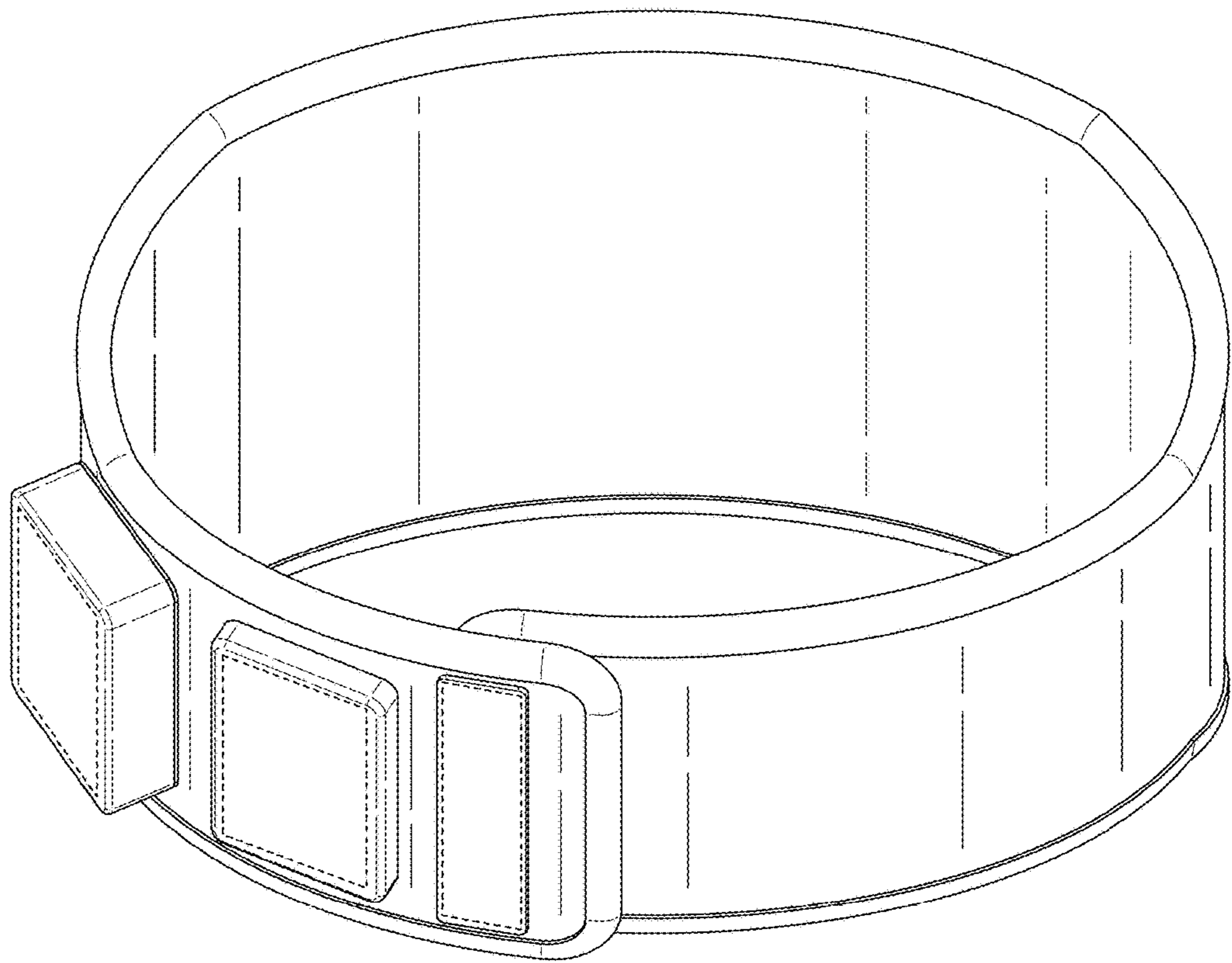
See application file for complete search history.

(56) **References Cited**

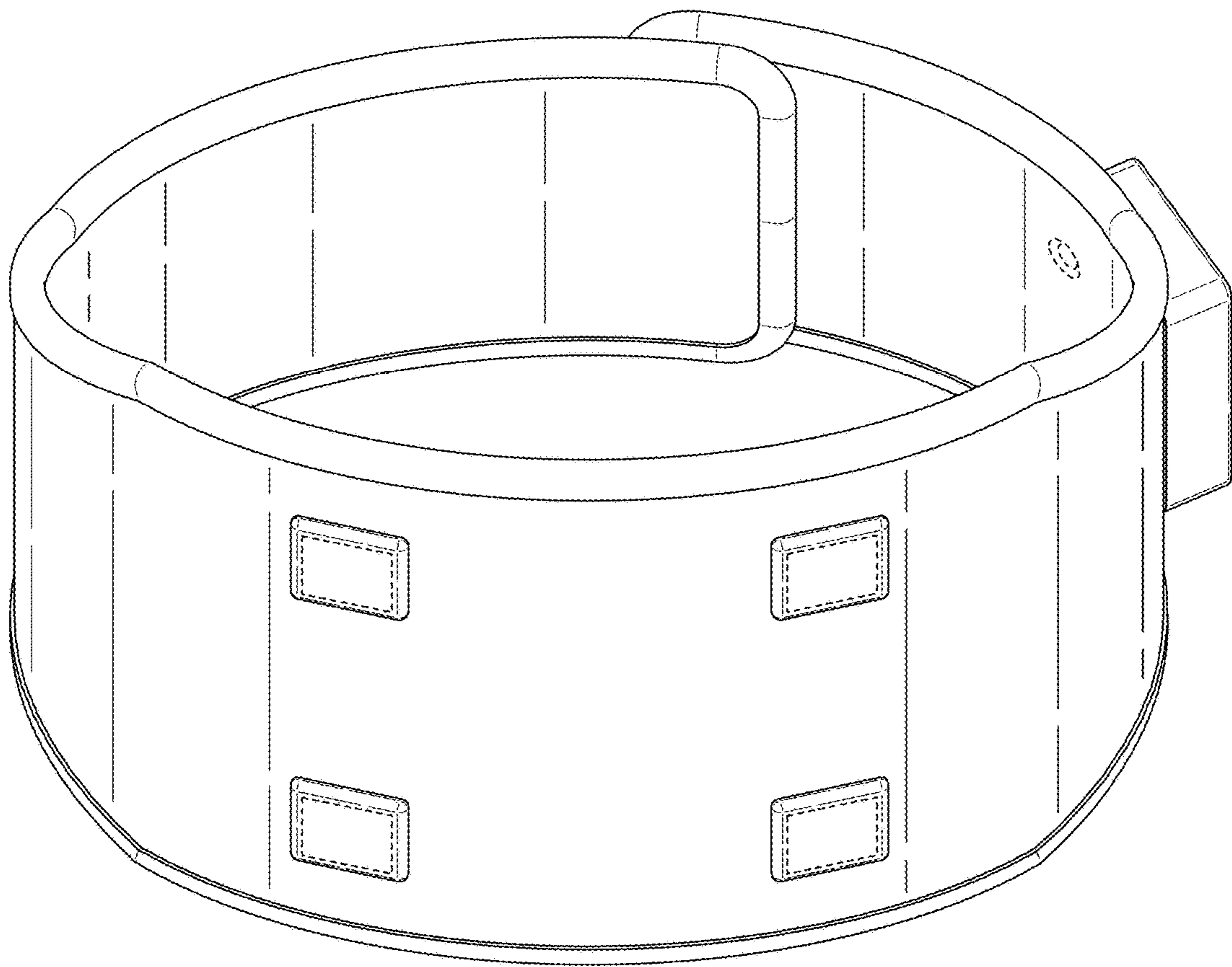
U.S. PATENT DOCUMENTS

5,275,581 A \* 1/1994 Bender ..... A61F 5/055  
128/DIG. 23  
D368,527 S \* 4/1996 Brooke ..... D24/191  
D379,232 S \* 5/1997 Brooke ..... D24/191  
D419,267 S \* 1/2000 Hartunian ..... D24/191  
D519,639 S \* 4/2006 Follman ..... D24/191  
D594,128 S \* 6/2009 Krinsky ..... D24/191  
8,491,512 B2 \* 7/2013 Donaldson ..... A61F 5/055  
128/DIG. 23  
9,192,326 B2 \* 11/2015 Kahn ..... G04G 13/026  
D785,806 S \* 5/2017 Weiss ..... D24/191  
D790,881 S \* 7/2017 Wong ..... D6/601  
2007/0255187 A1 11/2007 Branch  
2009/0143707 A1 6/2009 Strahl  
2011/0295083 A1 \* 12/2011 Doelling ..... A61B 5/103  
600/301  
2012/0046579 A1 2/2012 Radl et al.  
2014/0364778 A1 12/2014 Leftly et al.

\* cited by examiner



*FIG. 1*



*FIG. 2*

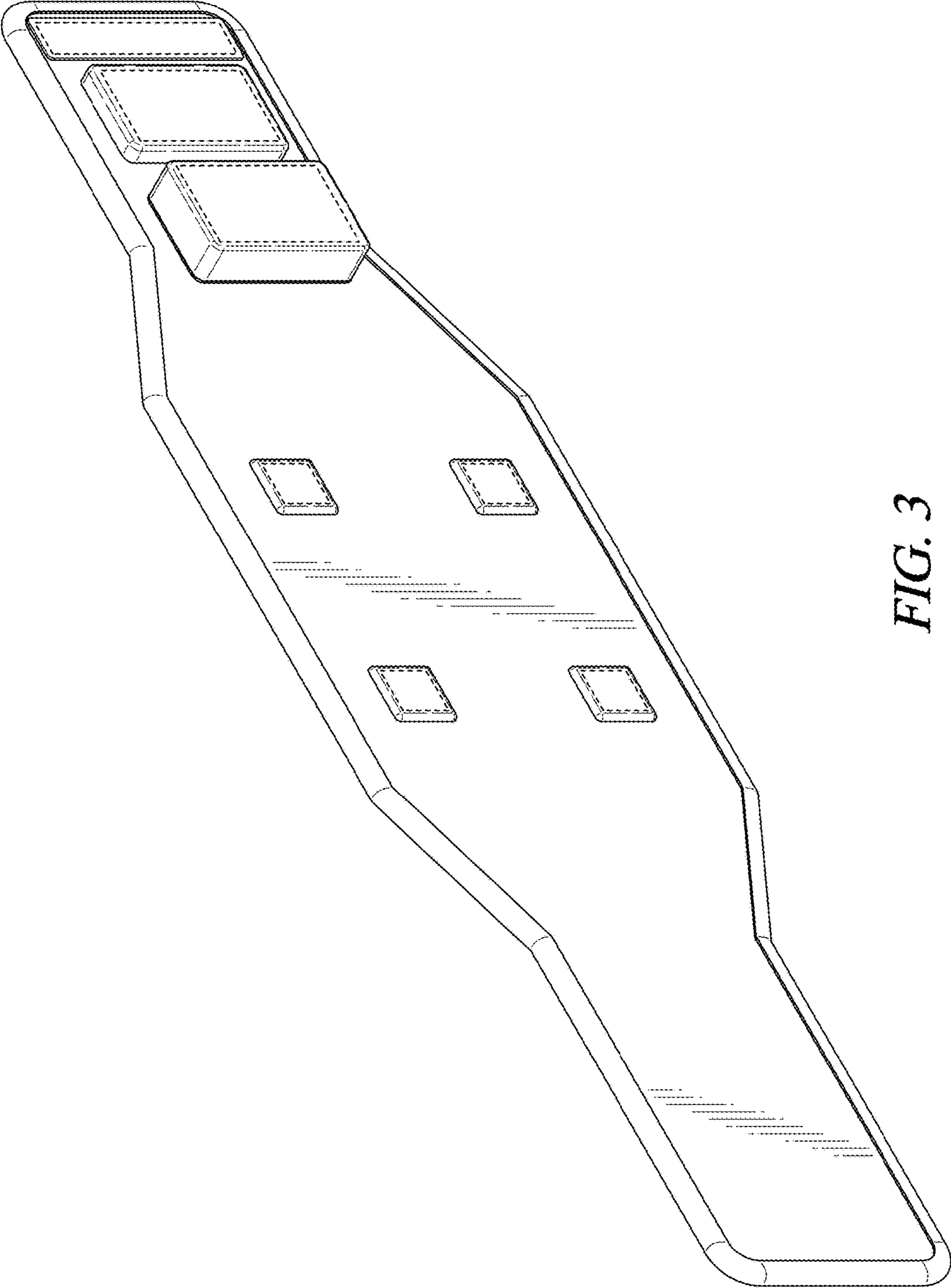


FIG. 3



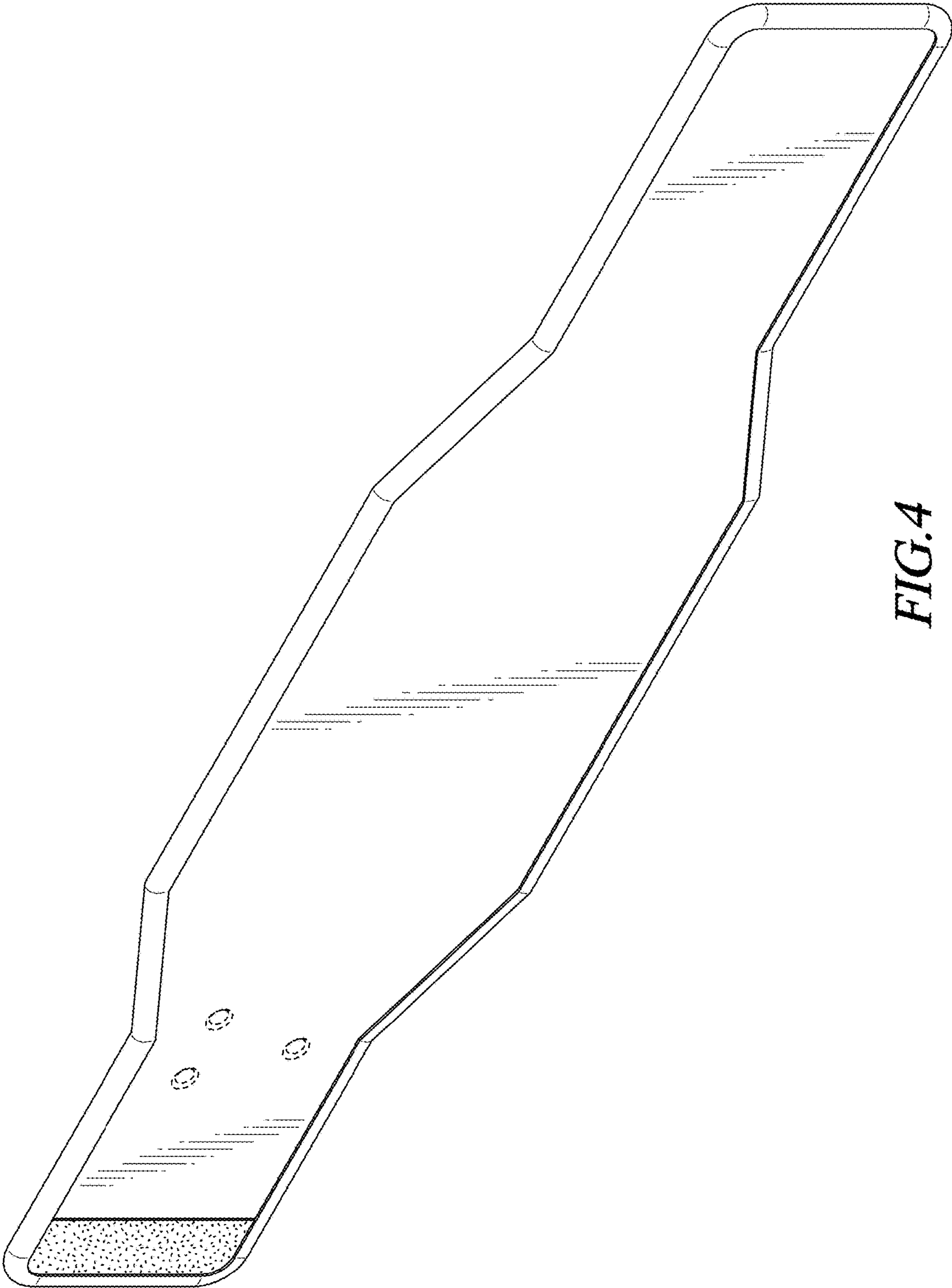


FIG.4

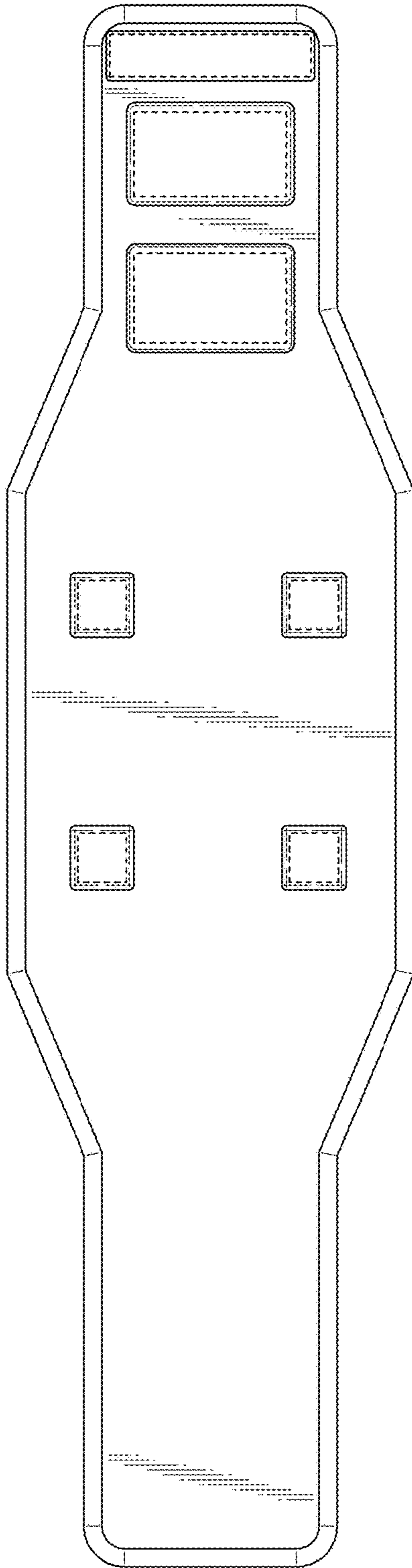


FIG. 5

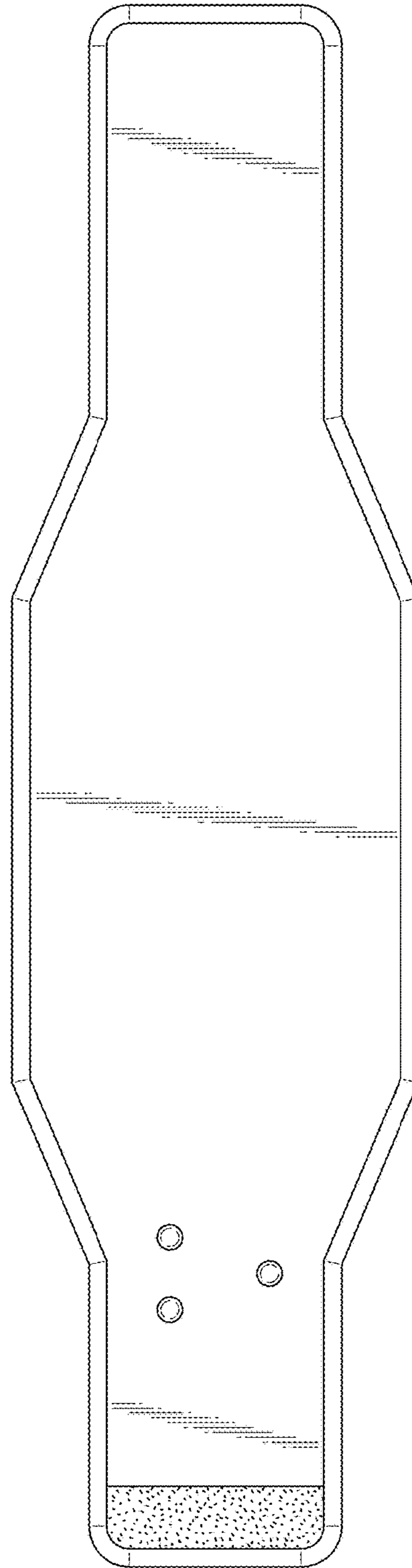


FIG. 6

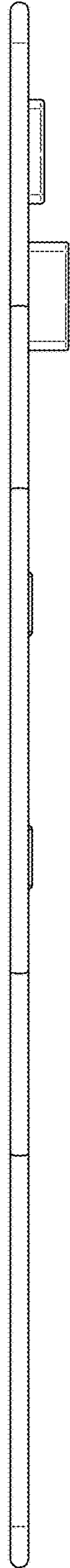


FIG. 7

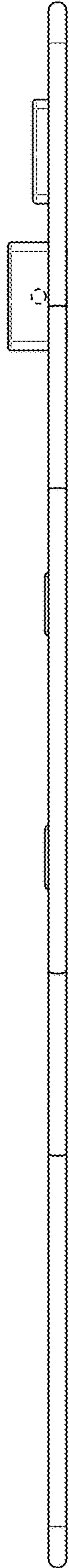


FIG. 8

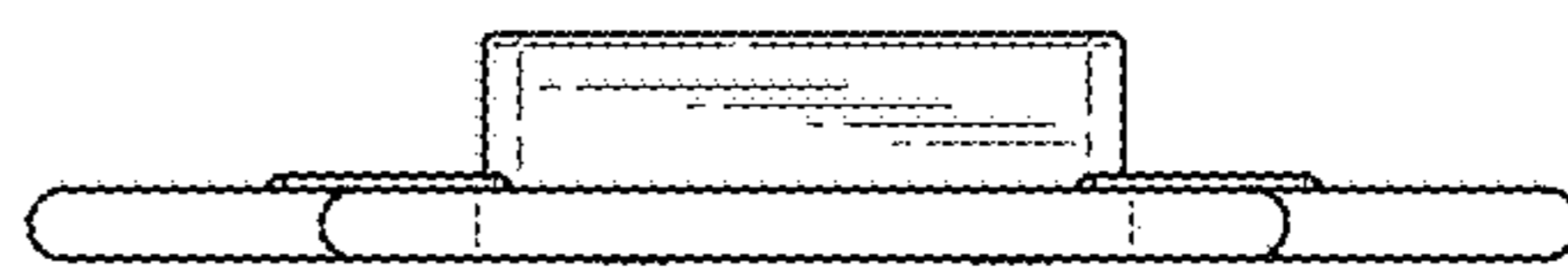


FIG. 9



FIG. 10