



US00D811613S

(12) **United States Design Patent** (10) **Patent No.:** **US D811,613 S**
Marton et al. (45) **Date of Patent:** **** Feb. 27, 2018**

(54) **BACK BRACE WITH HEATING AND VIBRATION**

(71) Applicant: **Hyper Ice, Inc.**, Irvine, CA (US)

(72) Inventors: **Robert Marton**, Yorba Linda, CA (US); **Anthony Katz**, Laguna Niguel, CA (US)

(73) Assignee: **Hyper Ice, Inc.**, Irvine, CA (US)

(**) Term: **15 Years**

(21) Appl. No.: **29/578,124**

(22) Filed: **Sep. 19, 2016**

(51) **LOC (11) Cl.** **24-00**

(52) **U.S. Cl.**
USPC **D24/190**

(58) **Field of Classification Search**
USPC D24/190

(Continued)

(56) **References Cited**

U.S. PATENT DOCUMENTS

3,810,466 A * 5/1974 Rogers A61F 5/055
128/DIG. 15
3,921,626 A * 11/1975 Neel A61F 5/055
128/DIG. 23

(Continued)

FOREIGN PATENT DOCUMENTS

WO 2008094485 A2 8/2008
WO 2012024366 A1 2/2012

OTHER PUBLICATIONS

http://www.alibaba.com/product-detail/Far-infrared-Arthrosis-hot-message.apparatus_6005767663827.html—accessed online Jun. 8, 2015.

Primary Examiner — Charles Hanson

(74) *Attorney, Agent, or Firm* — Patterson Intellectual Property Law, P.C.; Jerry Turner Sewell

(57) **CLAIM**

The ornamental design for a “back brace with heating and vibration,” as shown and described.

DESCRIPTION

FIG. 1 is a front perspective view of an embodiment of the present design with the back brace configured with overlapped ends.

FIG. 2 is a rear perspective view of the embodiment of the present design with the back brace configured with overlapped ends.

FIG. 3 is a front perspective view of the embodiment of the present design with the back brace in a flattened configuration

FIG. 4 is a rear perspective view of the embodiment of the present design with the back brace in the flattened configuration of FIG. 3.

FIG. 5 is a front elevation view of the embodiment of the present design with the back brace in the flattened configuration of FIG. 3.

FIG. 6 is a rear elevation view of the embodiment of the present design with the back brace in the flattened configuration of FIG. 3.

FIG. 7 is a top plan view of the embodiment of the present design with the back brace in the flattened configuration of FIG. 3.

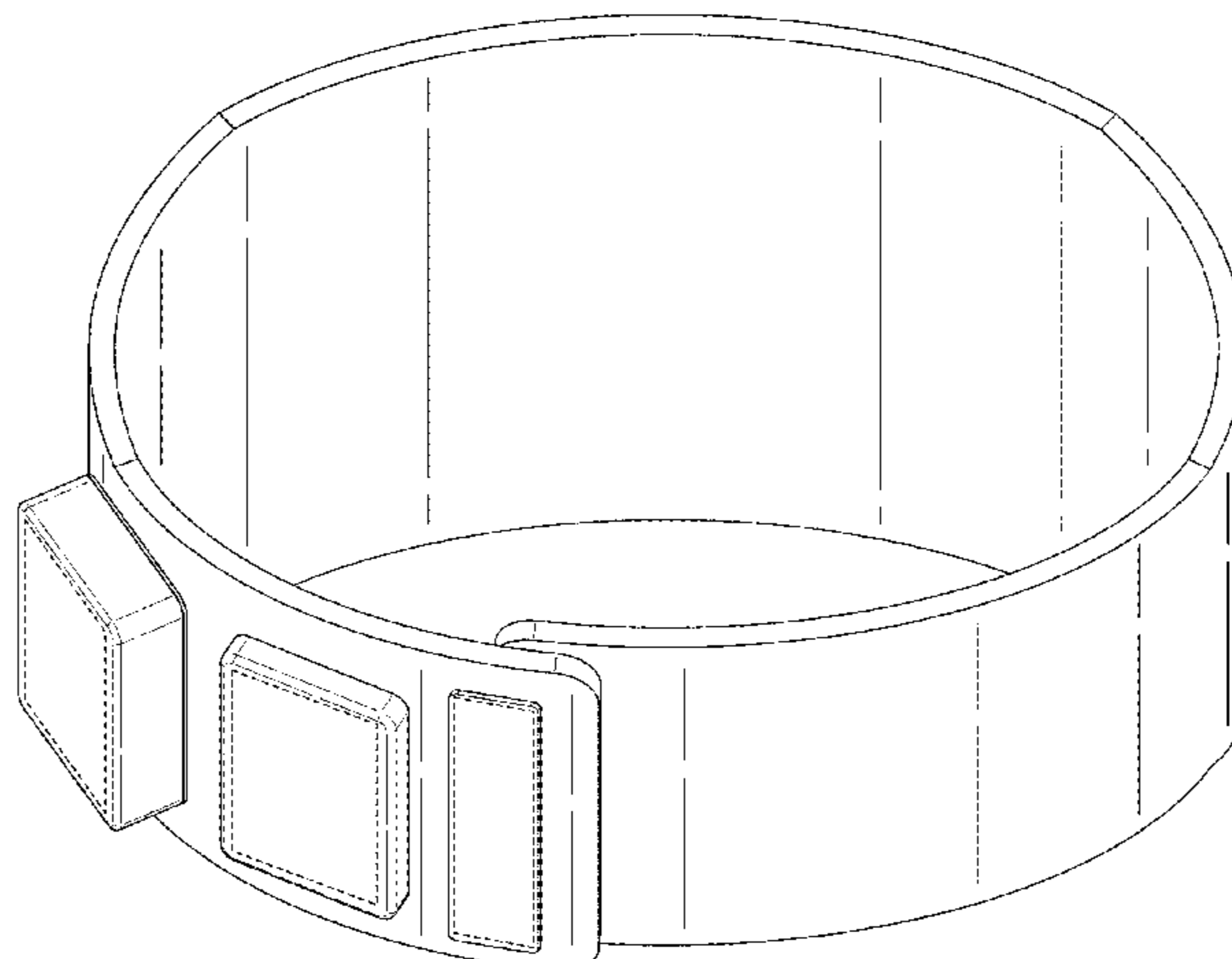
FIG. 8 is a bottom plan view of the embodiment of the present design with the back brace in the flattened configuration of FIG. 3.

FIG. 9 is a left side elevation view of the embodiment of the present design with the back brace in the flattened configuration of FIG. 3; and,

FIG. 10 is a right side elevation view of the embodiment of the present design with the back brace in the flattened configuration of FIG. 3.

In FIGS. 1-10, broken lines are shown to define boundaries around portions of the article which are not part of the claimed design.

1 Claim, 6 Drawing Sheets



(58) **Field of Classification Search**

CPC .. A61F 5/0118; A61F 5/0123; A61F 5/05866;
A61F 5/055; A61F 13/128; A61H 3/00;
A61H 2003/007; A61H 2205/10; A61B
5/6822

See application file for complete search history.

(56) **References Cited**

U.S. PATENT DOCUMENTS

5,275,581 A * 1/1994 Bender A61F 5/055
128/DIG. 23
D368,527 S * 4/1996 Brooke D24/191
D379,232 S * 5/1997 Brooke D24/191
D419,267 S * 1/2000 Hartunian D24/191
D519,639 S * 4/2006 Follman D24/191
D594,128 S * 6/2009 Krinsky D24/191
8,491,512 B2 * 7/2013 Donaldson A61F 5/055
128/DIG. 23
9,192,326 B2 * 11/2015 Kahn G04G 13/026
D785,806 S * 5/2017 Weiss D24/191
D790,881 S * 7/2017 Wong D6/601
2007/0255187 A1 11/2007 Branch
2009/0143707 A1 6/2009 Strahl
2011/0295083 A1 * 12/2011 Doelling A61B 5/103
600/301
2012/0046579 A1 2/2012 Radl et al.
2014/0364778 A1 12/2014 Leftly et al.

* cited by examiner

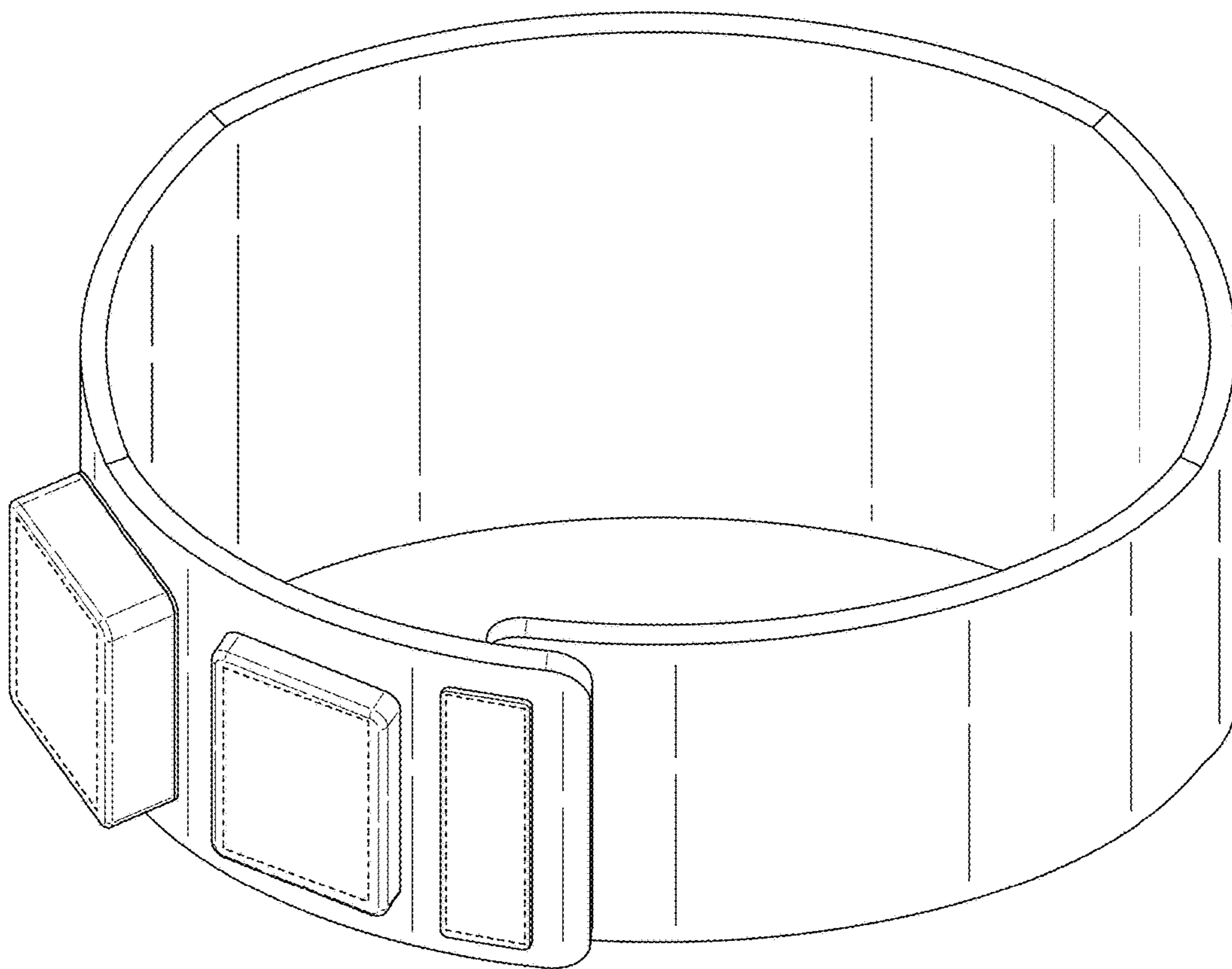


FIG. 1

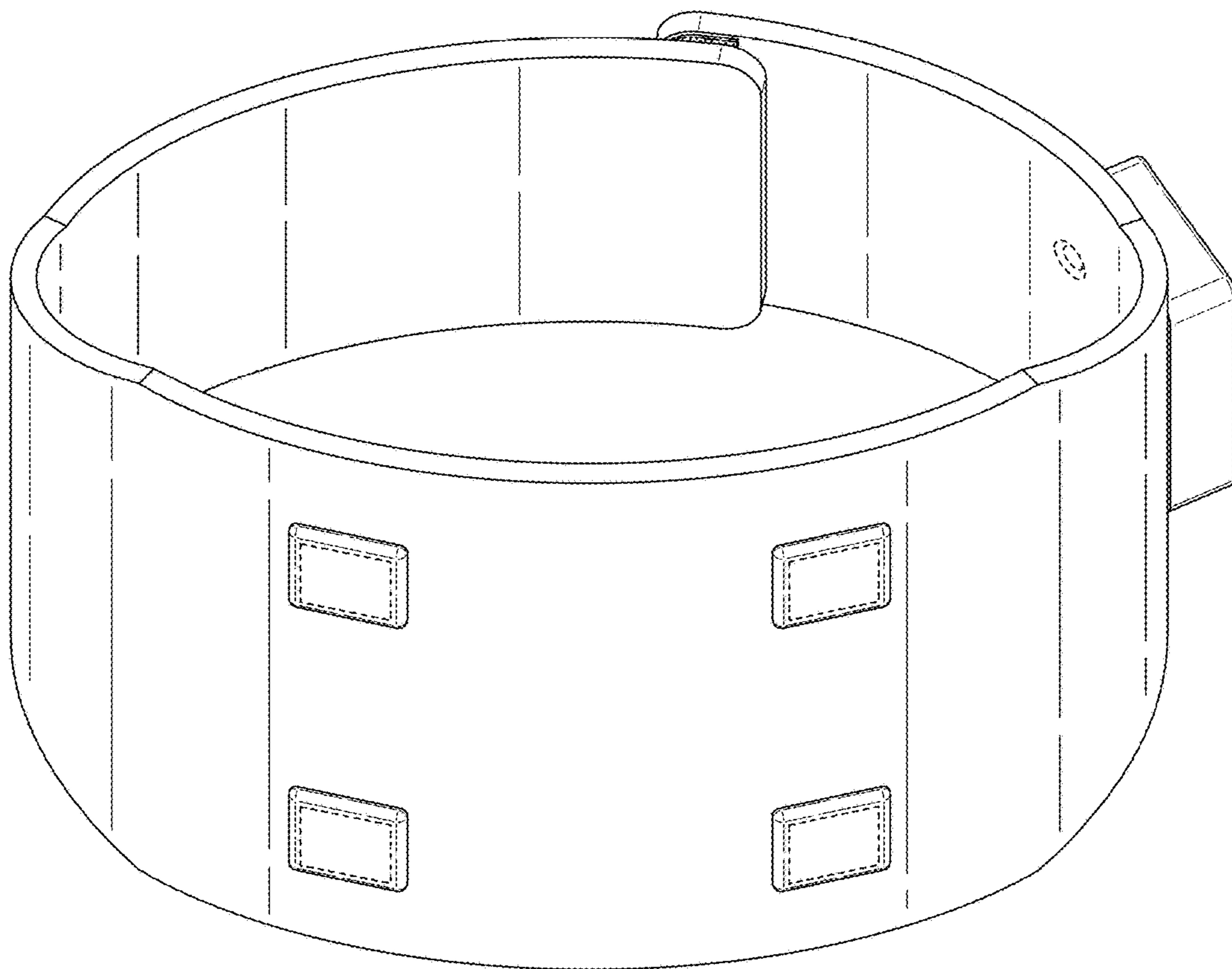


FIG. 2

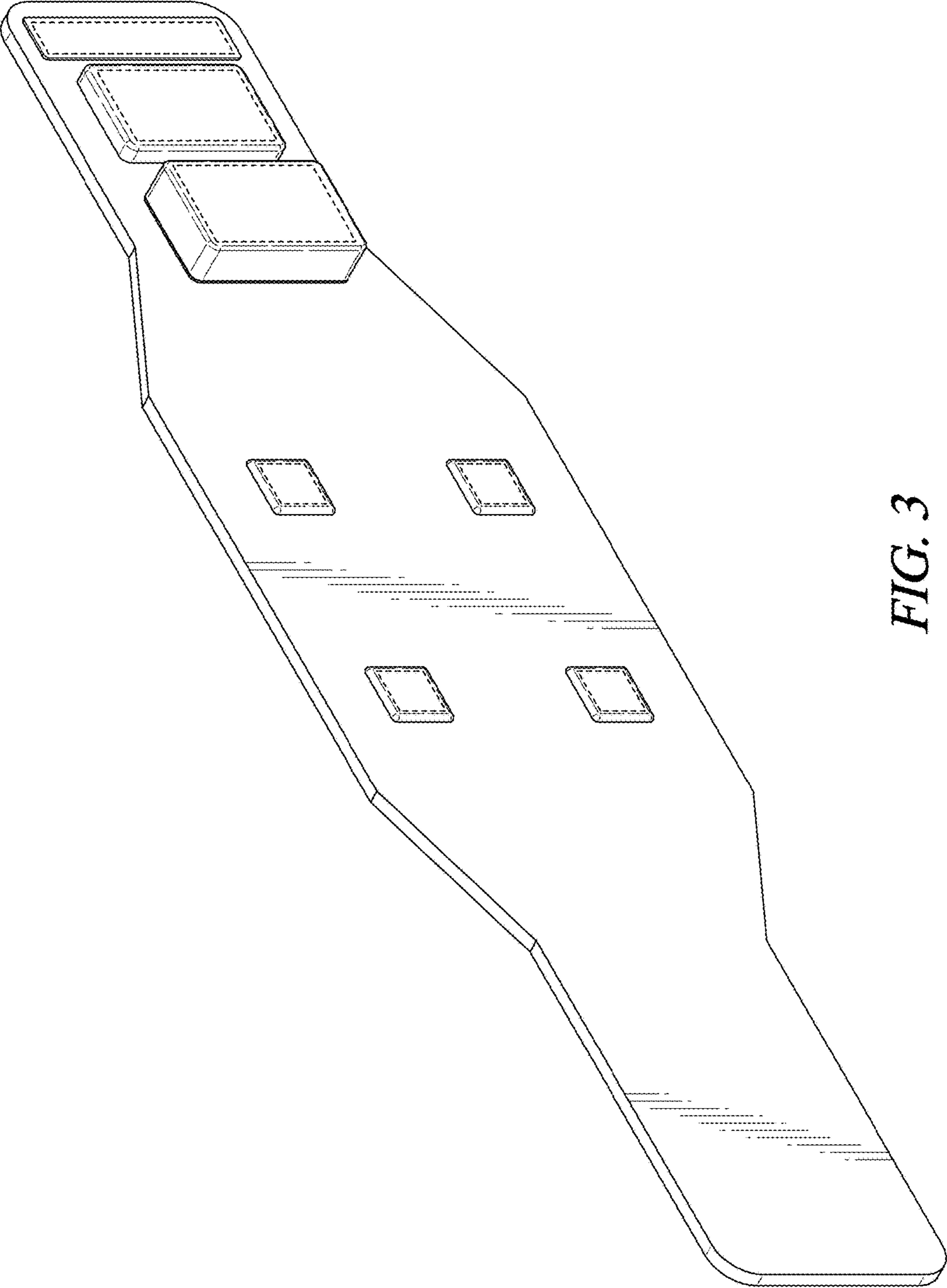


FIG. 3

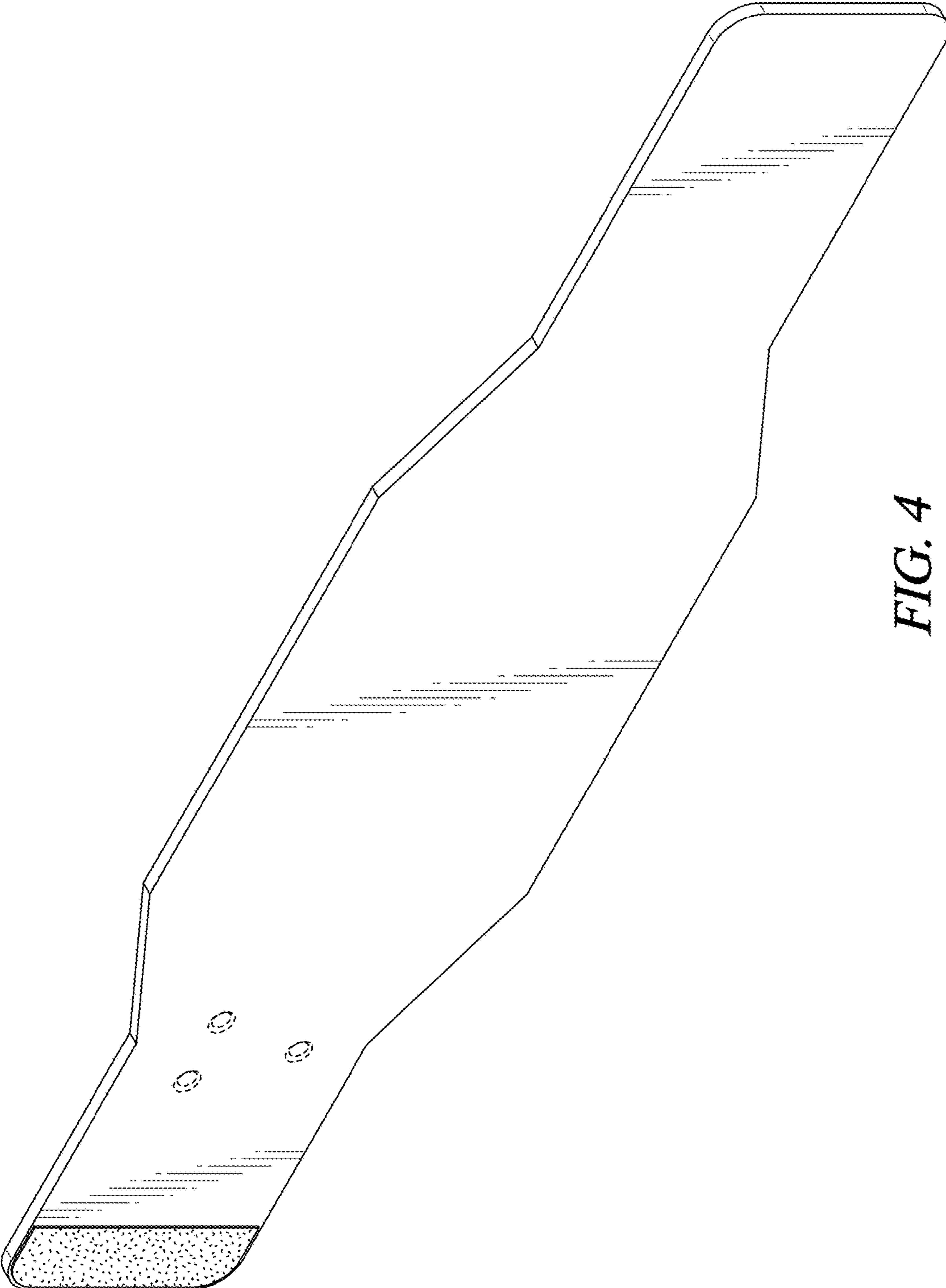


FIG. 4

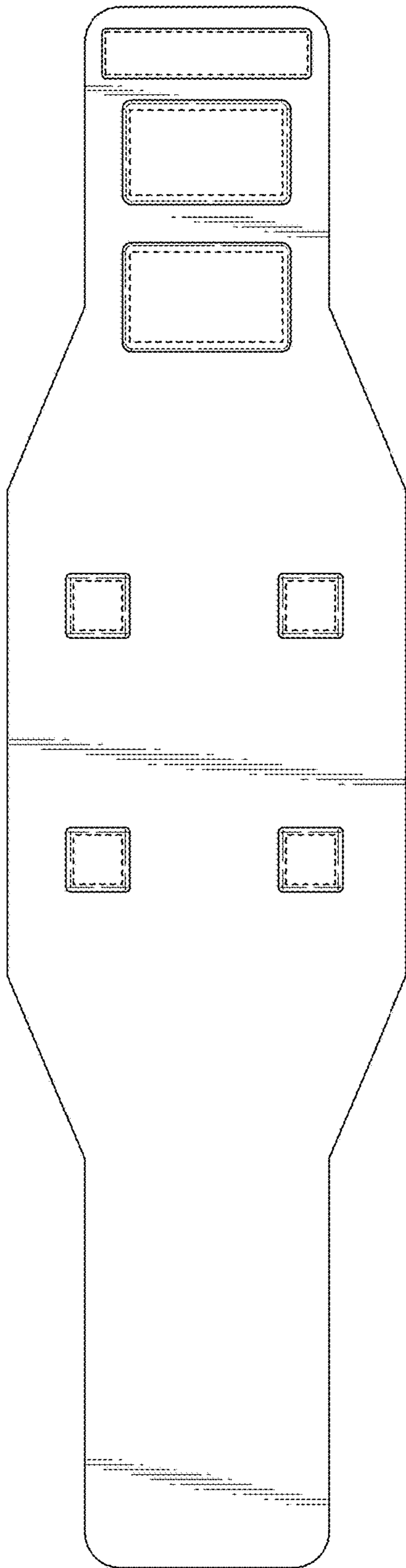


FIG. 5

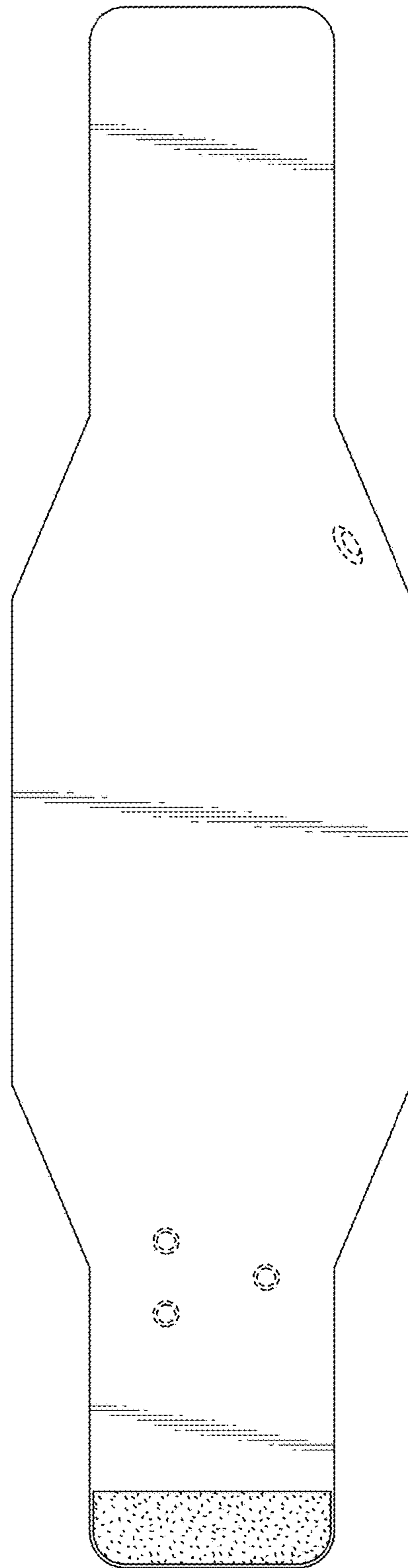


FIG. 6

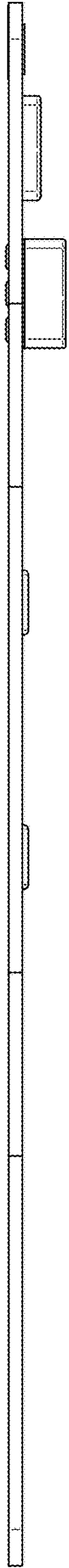


FIG. 7



FIG. 8

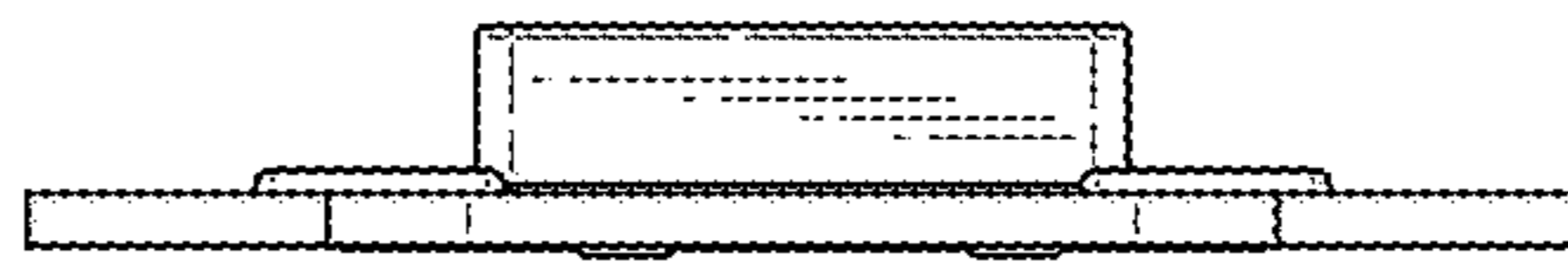


FIG. 9

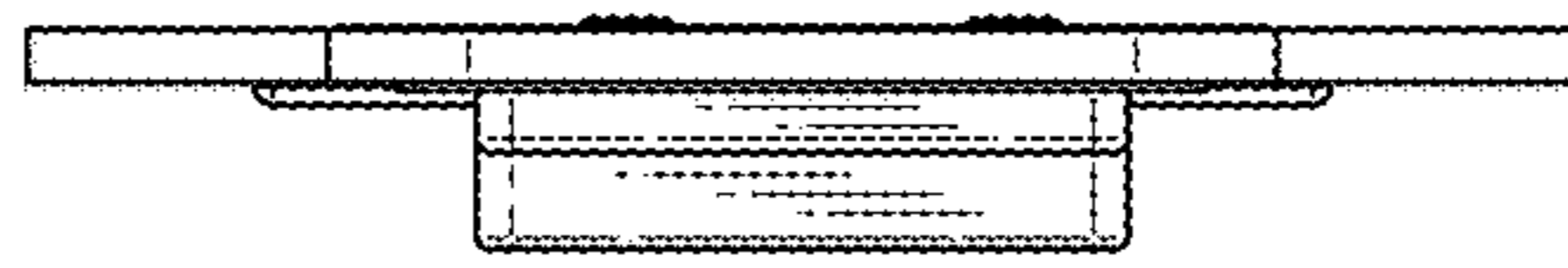


FIG. 10