



US00D811609S

(12) **United States Design Patent**  
**Huff**

(10) **Patent No.:** **US D811,609 S**

(45) **Date of Patent:** **\*\* Feb. 27, 2018**

(54) **BANDAGE CLIP**

(71) Applicant: **Tracey Jean Huff**, Westwood, NJ (US)

(72) Inventor: **Tracey Jean Huff**, Westwood, NJ (US)

(\*\*) Term: **15 Years**

(21) Appl. No.: **29/565,546**

(22) Filed: **May 22, 2016**

(51) **LOC (11) Cl.** ..... **24-02**

(52) **U.S. Cl.**  
USPC ..... **D24/189**

(58) **Field of Classification Search**  
USPC ..... D24/118, 124, 127, 145, 185-192, 200,  
D24/206, 231; 206/390; 602/2, 26, 42,  
602/43, 45, 48, 54, 57, 58, 62, 75;  
D2/503, 508, 631, 639, 640, 705, 853,  
D2/999; D11/130, 181, 204, 206, 208,  
D11/211, 222, 223, 228, 230, 238; 63/20  
CPC ..... A61F 13/0273; A61F 15/006; A61F  
2013/00153

See application file for complete search history.

(56) **References Cited**

**U.S. PATENT DOCUMENTS**

D313,116 S	*	12/1990	Whitney	.....	2/340
D340,986 S	*	11/1993	Arginsky	.....	D24/189
D341,888 S	*	11/1993	Arginsky	.....	D24/189
D428,494 S	*	7/2000	Brogden	.....	D24/189
D452,186 S	*	12/2001	Fujisaka	.....	D11/228

D481,330 S	*	10/2003	Fildan	.....	D11/218
D491,864 S	*	6/2004	Hovren	.....	D12/204
D626,231 S	*	10/2010	Perchik	.....	D24/145
D662,691 S	*	7/2012	Jeter, Jr.	.....	A43B 3/0078
					D2/853
D720,255 S	*	12/2014	Gramatikas	.....	D11/222
D754,862 S	*	4/2016	Huff	.....	D11/223
2008/0132363 A1	*	6/2008	Harada	.....	A63B 43/06
					473/570

\* cited by examiner

*Primary Examiner* — Garth Rademaker

*Assistant Examiner* — Samantha Q. Lawrence

(74) *Attorney, Agent, or Firm* — Scott H. Kaliko; Kaliko & Associates, LLC

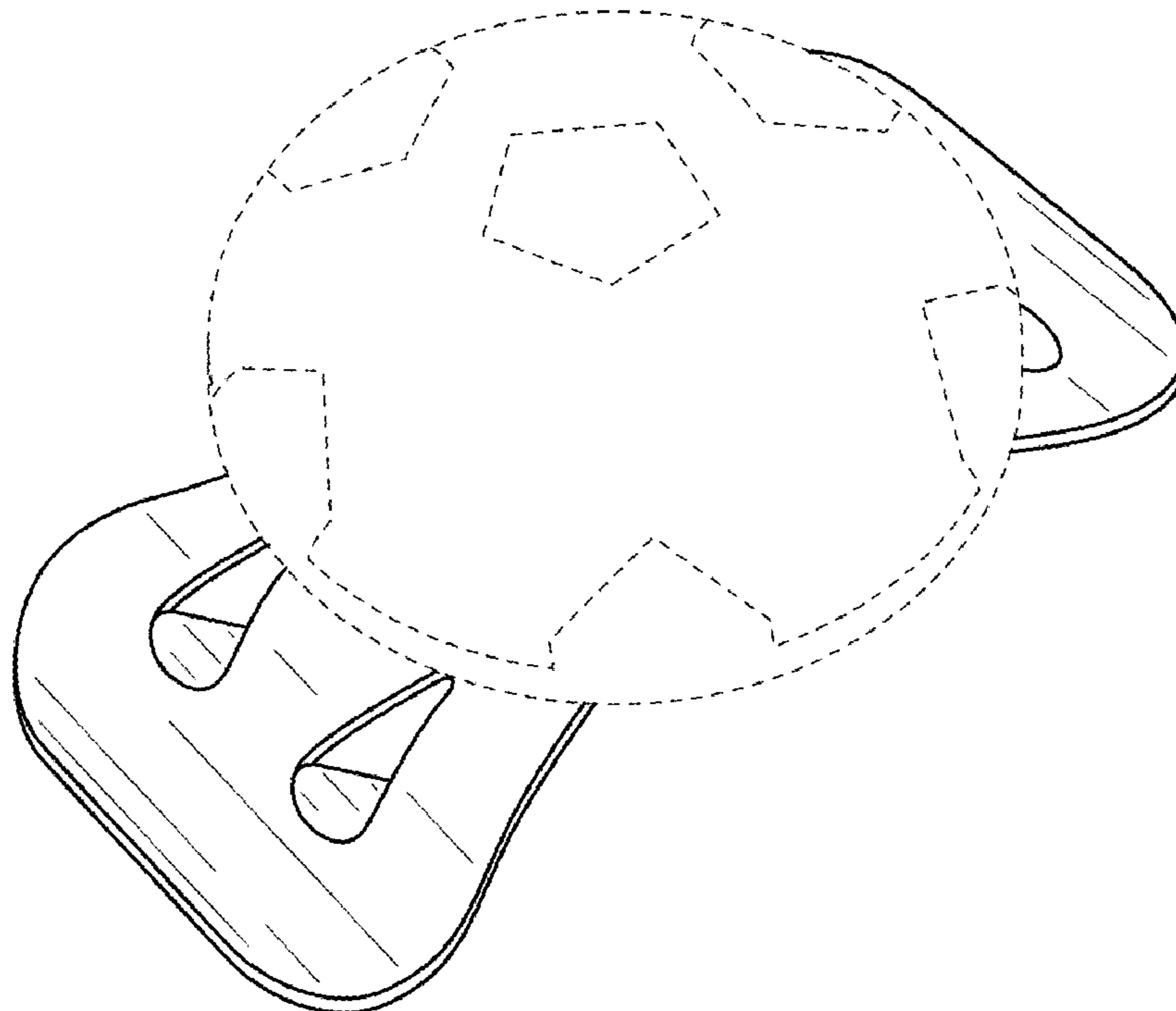
(57) **CLAIM**

The ornamental design for a bandage clip, as shown and described.

**DESCRIPTION**

FIG. 1 is a perspective view of a bandage clip;  
FIG. 2 is a side view thereof;  
FIG. 3 is a side view thereof;  
FIG. 4 is a front view thereof;  
FIG. 5 is a back view thereof;  
FIG. 6 is a top view thereof; and,  
FIG. 7 is a bottom view thereof.  
The broken lines shown in FIGS. 1-7 illustrate portions of the bandage clip that form no part of the claimed design.

**1 Claim, 2 Drawing Sheets**



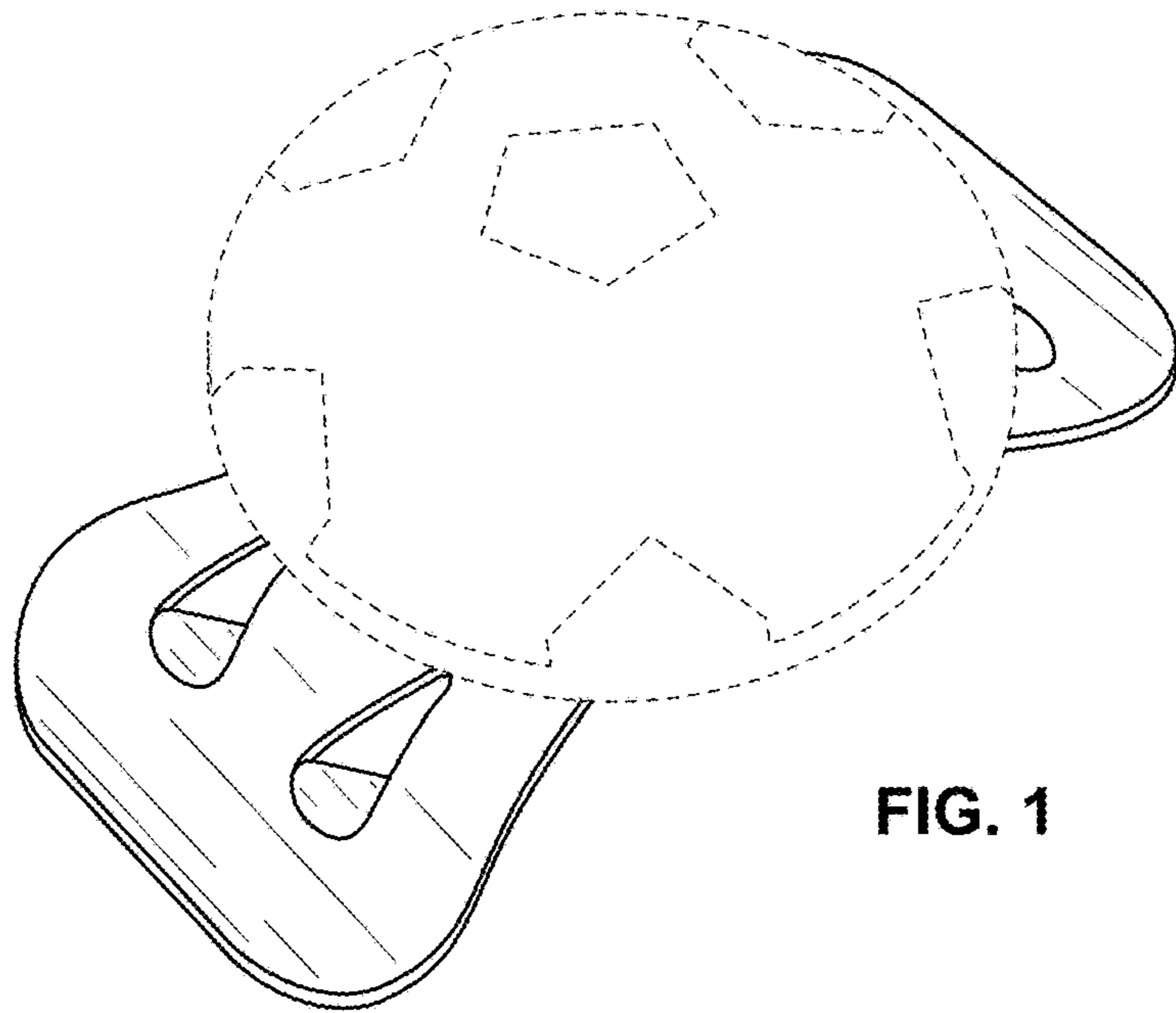


FIG. 1

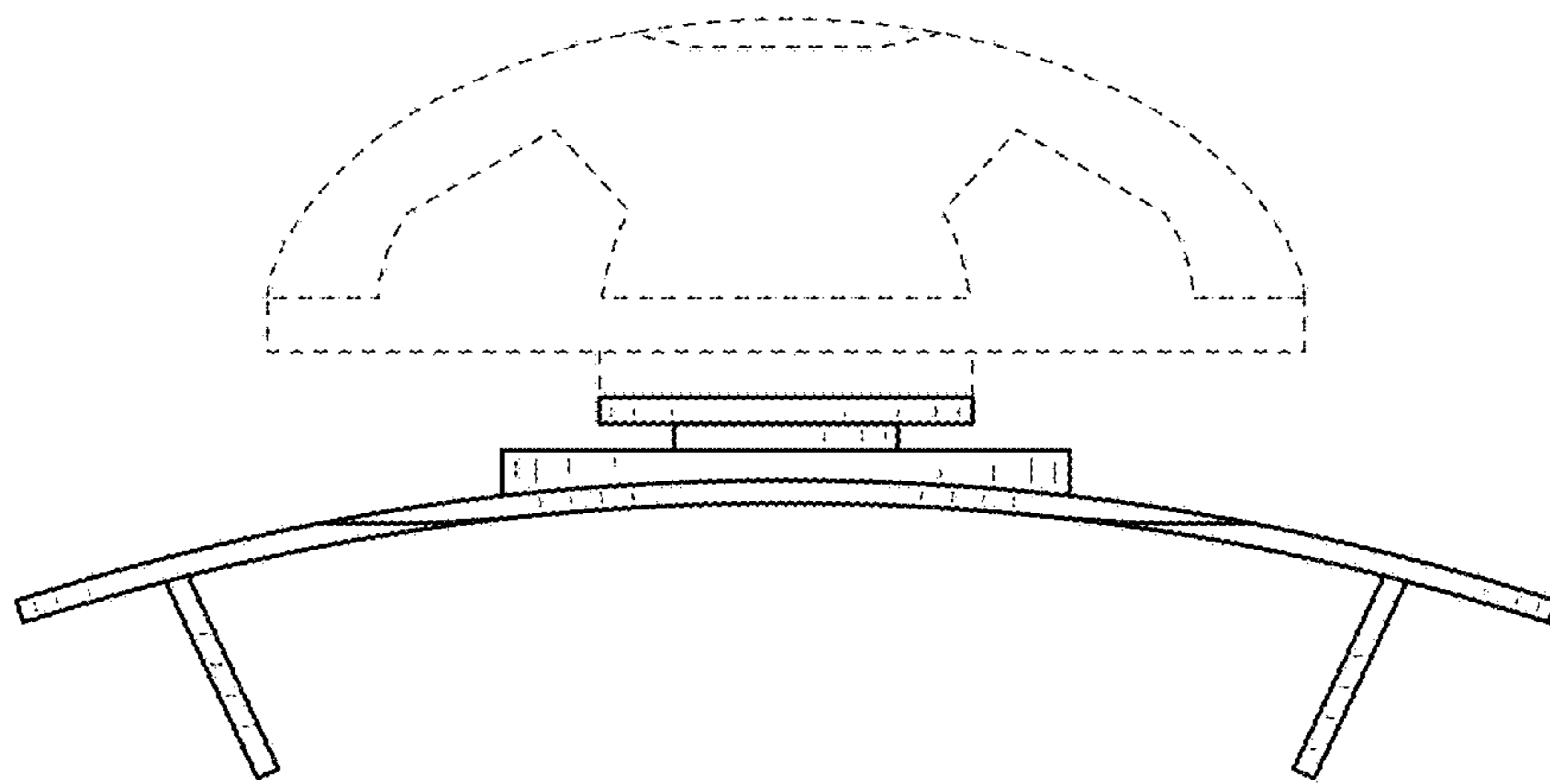


FIG. 2

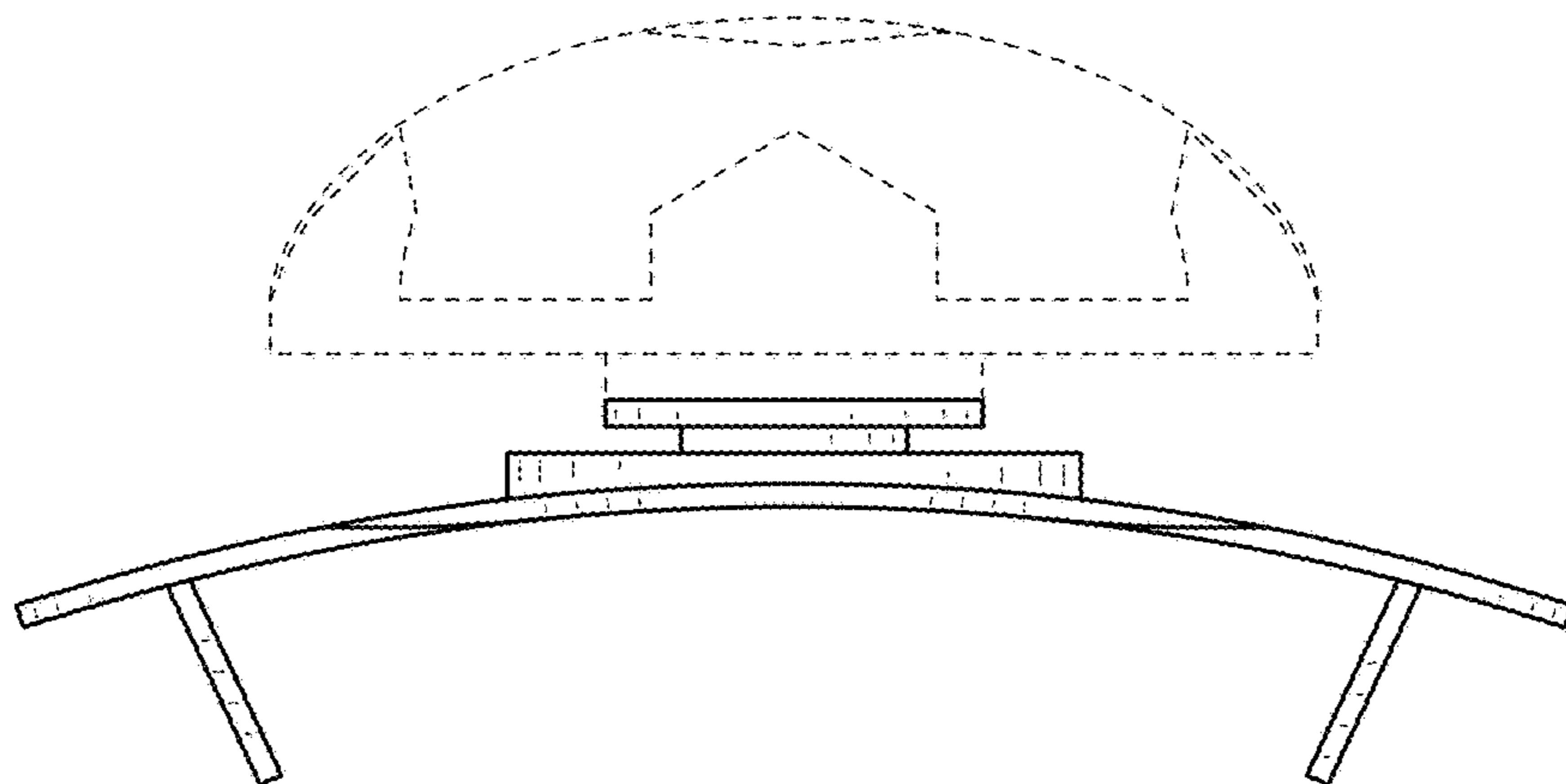


FIG. 3

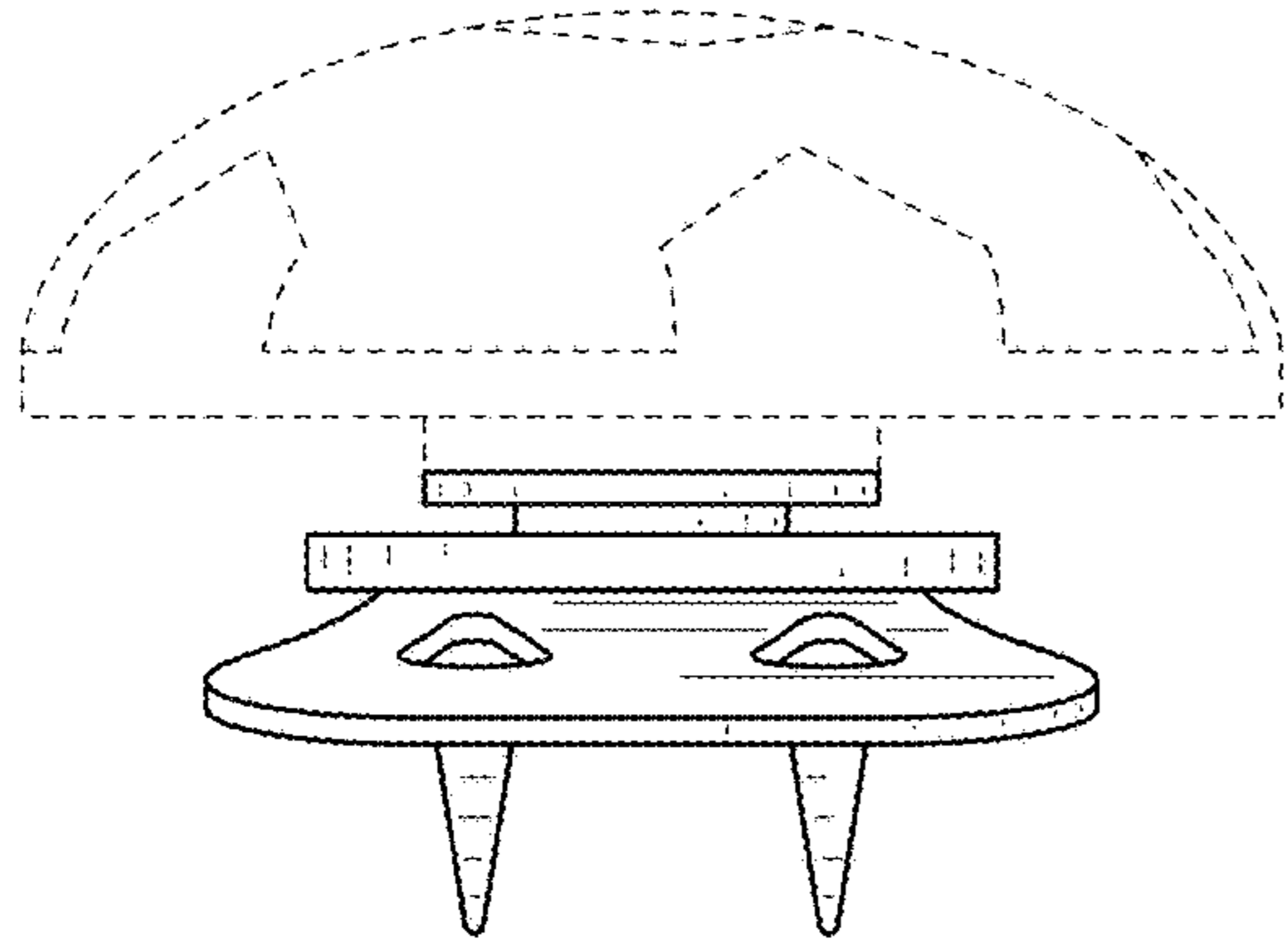


FIG. 4

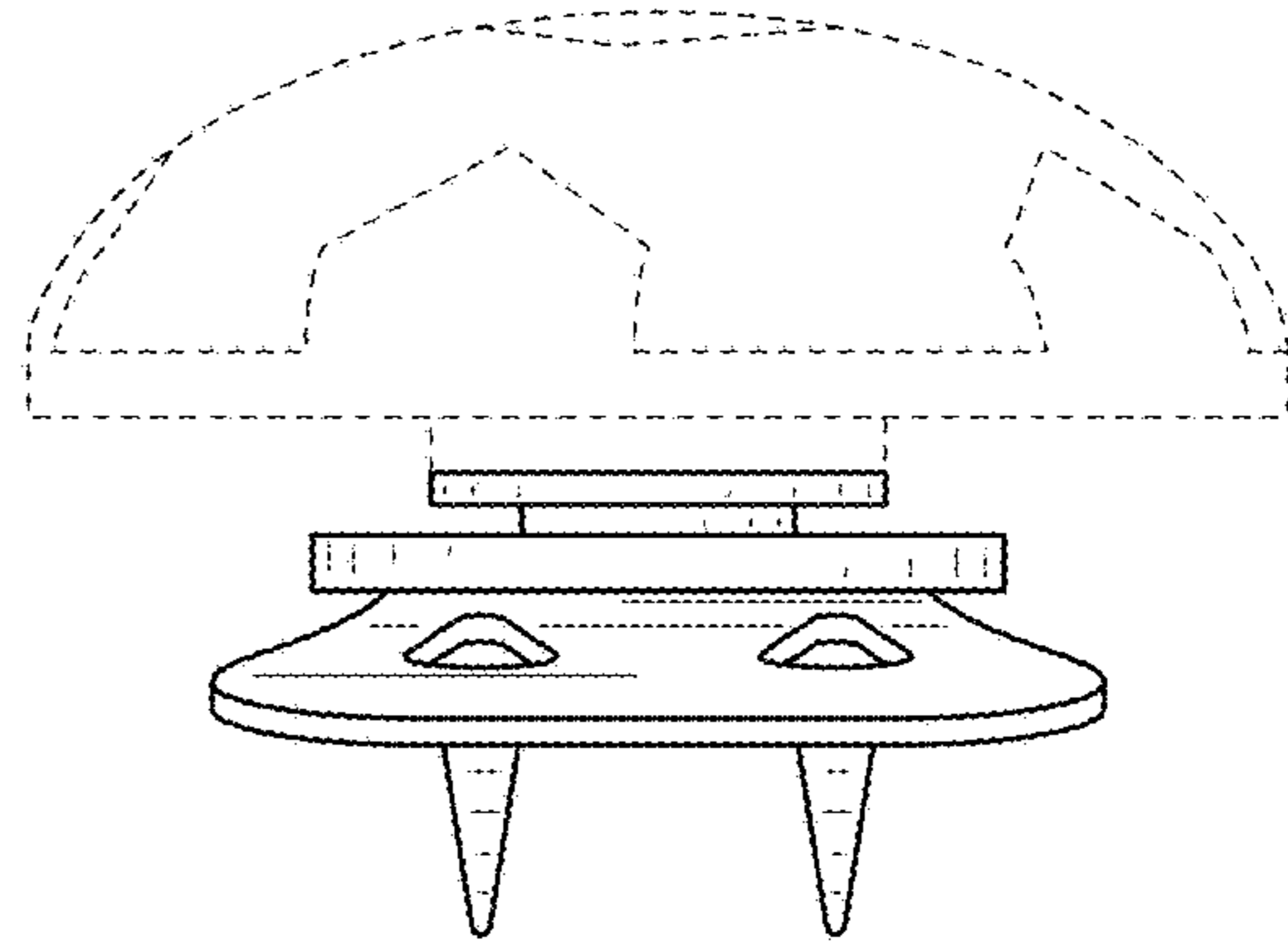


FIG. 5

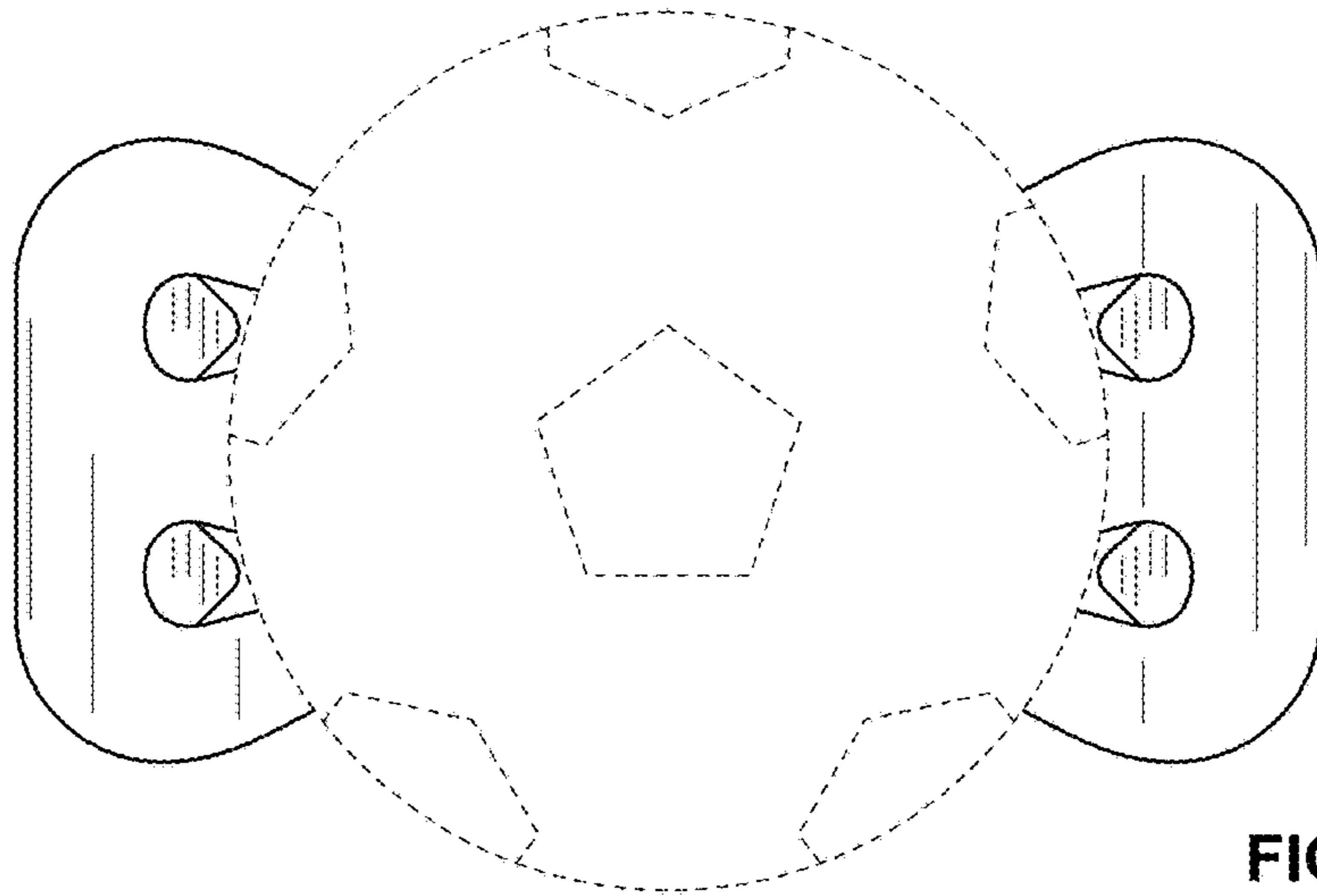


FIG. 6

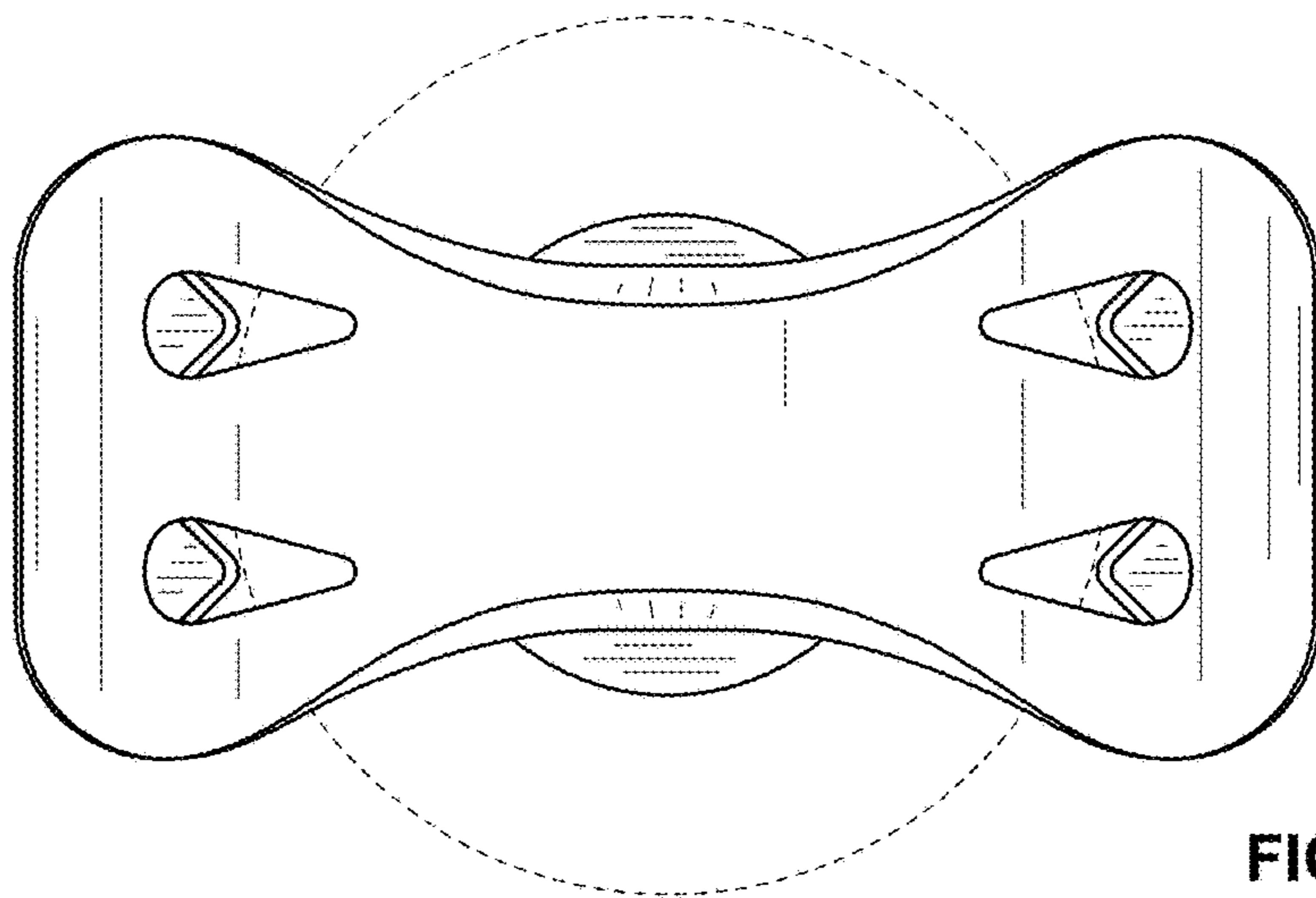


FIG. 7