



US00D811605S

(12) **United States Design Patent**
Chang

(10) **Patent No.:** **US D811,605 S**

(45) **Date of Patent:** **** Feb. 27, 2018**

(54) **CONNECTOR FOR PROBE FOR AN
ULTRASONIC DIAGNOSIS APPARATUS**

(71) Applicant: **Toshiba Medical Systems
Corporation**, Otawara-shi, Tochigi (JP)

(72) Inventor: **Shianwei Chang**, Kawasaki (JP)

(73) Assignee: **Toshiba Medical Systems
Corporation**, Otawara-shi, Tochigi-ken
(JP)

(**) Term: **15 Years**

(21) Appl. No.: **29/568,432**

(22) Filed: **Jun. 17, 2016**

(30) **Foreign Application Priority Data**

Feb. 23, 2016 (JP) 2016-003890

(51) **LOC (11) Cl.** **24-01**

(52) **U.S. Cl.**
USPC **D24/187**

(58) **Field of Classification Search**

USPC D24/129, 138, 186-187; D13/133;
600/424, 437-441, 443, 445-447,
600/453-454, 459, 461-463, 466-467,
600/472; 601/2; 606/169; 433/119
CPC A61B 1/00; A61B 17/32; A61B 17/34;
A61B 5/00; A61B 5/05; A61B 6/00;
A61B 8/00; A61B 8/06; A61B 8/08;
A61B 8/12; A61B 8/13; A61B 8/14;
A61B 8/44; A61B 8/4411; A61B 8/4422;
A61B 8/4427; A61B 8/4433; A61B
8/4438; A61B 8/4444; A61B 8/546;
A61N 7/00; B06B 1/06; B06B 1/0622;
G01N 29/00; G01N 29/24; G06K 9/00;
G06T 7/00; G10K 11/00; G10K 11/004;
H01L 41/08

See application file for complete search history.

(56) **References Cited**

U.S. PATENT DOCUMENTS

D327,740 S * 7/1992 Arioka D24/186
5,207,225 A * 5/1993 Oaks A61B 8/12
600/443
5,255,682 A * 10/1993 Pawluskiewicz A61B 8/00
600/447
5,882,310 A * 3/1999 Marian, Jr. G10K 11/004
600/459
5,957,850 A * 9/1999 Marian, Jr. A61B 8/12
600/459

(Continued)

FOREIGN PATENT DOCUMENTS

JP D1287586 12/2006
JP D1354495 3/2009

(Continued)

Primary Examiner — Ian Simmons

Assistant Examiner — Mark A Cavanna

(74) *Attorney, Agent, or Firm* — Banner & Witcoff, Ltd.

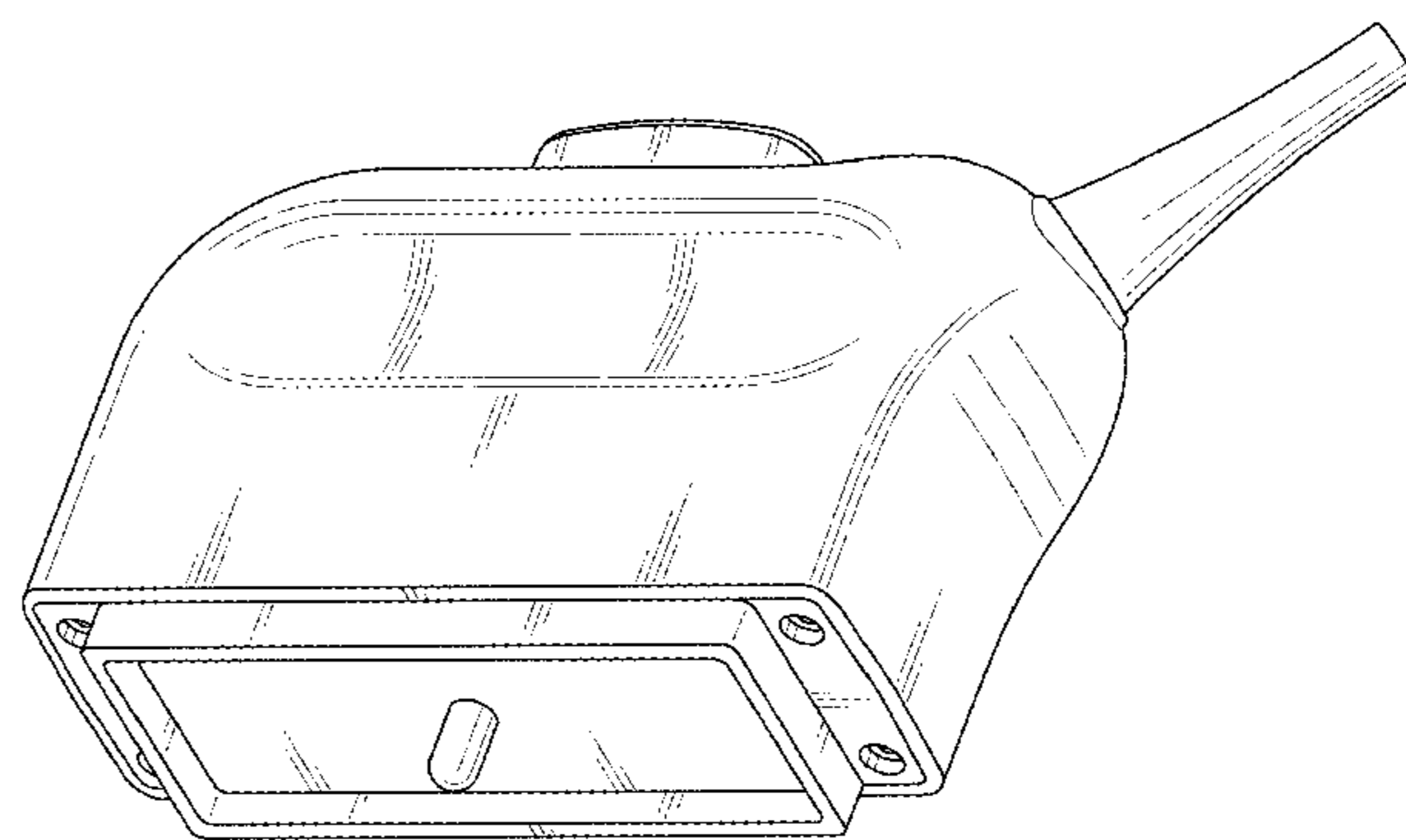
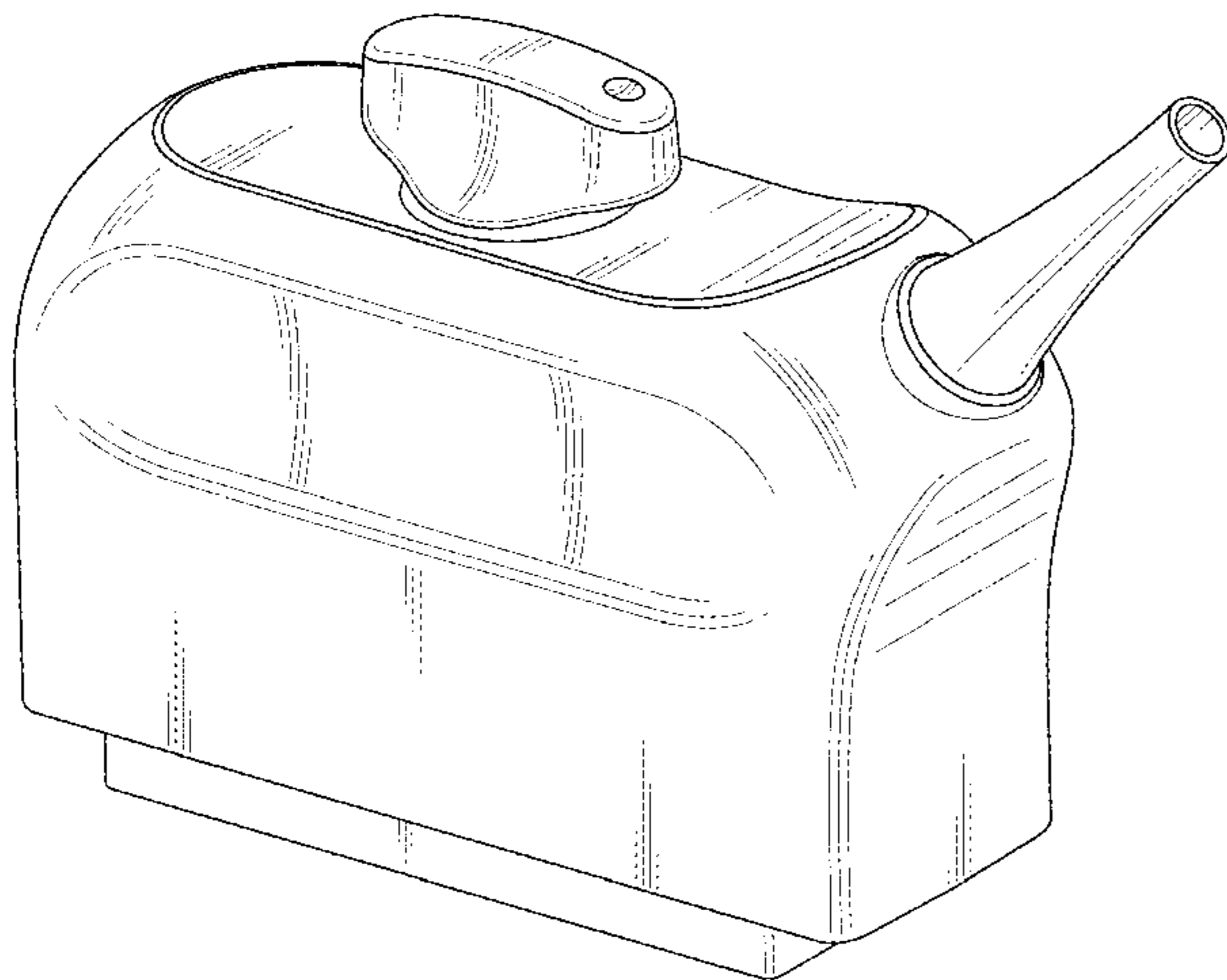
(57) **CLAIM**

The ornamental design for a connector for probe for an ultrasonic diagnosis apparatus, as shown and described.

DESCRIPTION

FIG. 1 is a perspective view (1) of a connector for probe for an ultrasonic diagnosis apparatus showing my new design, FIG. 2 is a perspective view (2) thereof, FIG. 3 is a perspective view (3) thereof, FIG. 4 is a front elevational view thereof, a rear elevational view being a mirror image thereof, FIG. 5 is a top plan view thereof, FIG. 6 is a bottom plan view thereof, FIG. 7 is a left side elevational view thereof; and, FIG. 8 is a right side elevational view thereof.

1 Claim, 8 Drawing Sheets



(56)

References Cited

U.S. PATENT DOCUMENTS

6,371,918 B1 * 4/2002 Bunce A61B 8/44
600/459
6,488,632 B2 * 12/2002 Ohara A61B 8/12
600/462
6,540,685 B1 * 4/2003 Rhoads A61B 8/00
600/459
D481,125 S * 10/2003 Hayamizu D24/129
6,629,928 B1 * 10/2003 Dolan A61B 8/00
600/437
D490,898 S * 6/2004 Hayamizu D24/138
D498,533 S * 11/2004 Hayamizu D24/129
D564,659 S * 3/2008 Hayashi D24/129
D564,660 S * 3/2008 Hayashi D24/138
D566,284 S * 4/2008 Kitayama D24/186
D585,556 S * 1/2009 Kosaku D24/186
D603,520 S * 11/2009 Ninomiya D24/187
D609,814 S * 2/2010 Banryu D24/187
8,088,064 B2 * 1/2012 Itoi A61B 8/4433
600/131
8,234,922 B2 * 8/2012 Oonuki A61B 8/4411
600/447
8,273,025 B2 * 9/2012 Shikata A61B 8/546
600/437
8,303,508 B2 * 11/2012 Wakabayashi A61B 8/12
600/463
D692,564 S * 10/2013 Ninomiya D24/187
D700,969 S 3/2014 Kim
D729,166 S * 5/2015 Baba D13/133
2007/0270694 A1 * 11/2007 Pelissier A61B 8/00
600/443
2008/0119738 A1 * 5/2008 Imahashi A61B 8/12
600/462

2009/0204001 A1 * 8/2009 Ona B06B 1/0622
600/443
2009/0247877 A1 * 10/2009 Tanaka A61B 8/12
600/462
2011/0077517 A1 * 3/2011 Satou A61B 8/00
600/443
2011/0282209 A1 * 11/2011 Miyaki A61B 8/12
600/447
2013/0012817 A1 * 1/2013 Ahn A61B 8/4427
600/441
2013/0253327 A1 * 9/2013 Ko A61B 8/4411
600/459
2014/0088420 A1 * 3/2014 Lindahl A61B 8/4422
600/437
2015/0045670 A1 * 2/2015 Davidson A61B 8/546
600/459
2015/0112200 A1 * 4/2015 Oberg A61B 8/4444
600/461
2015/0141835 A1 * 5/2015 Nagase A61B 8/4427
600/459
2015/0182196 A1 * 7/2015 Ninomiya A61B 8/4427
600/437
2015/0182200 A1 * 7/2015 Birglehner A61B 8/546
600/459
2015/0289854 A1 * 10/2015 Cho A61B 8/12
600/463
2016/0206284 A1 * 7/2016 Lee A61B 8/4438
2016/0217574 A1 * 7/2016 Kang A61B 8/08
2017/0020490 A1 * 1/2017 Ryu A61B 8/4444

FOREIGN PATENT DOCUMENTS

JP D1456642 12/2012
KR 30-0533472 7/2009

* cited by examiner

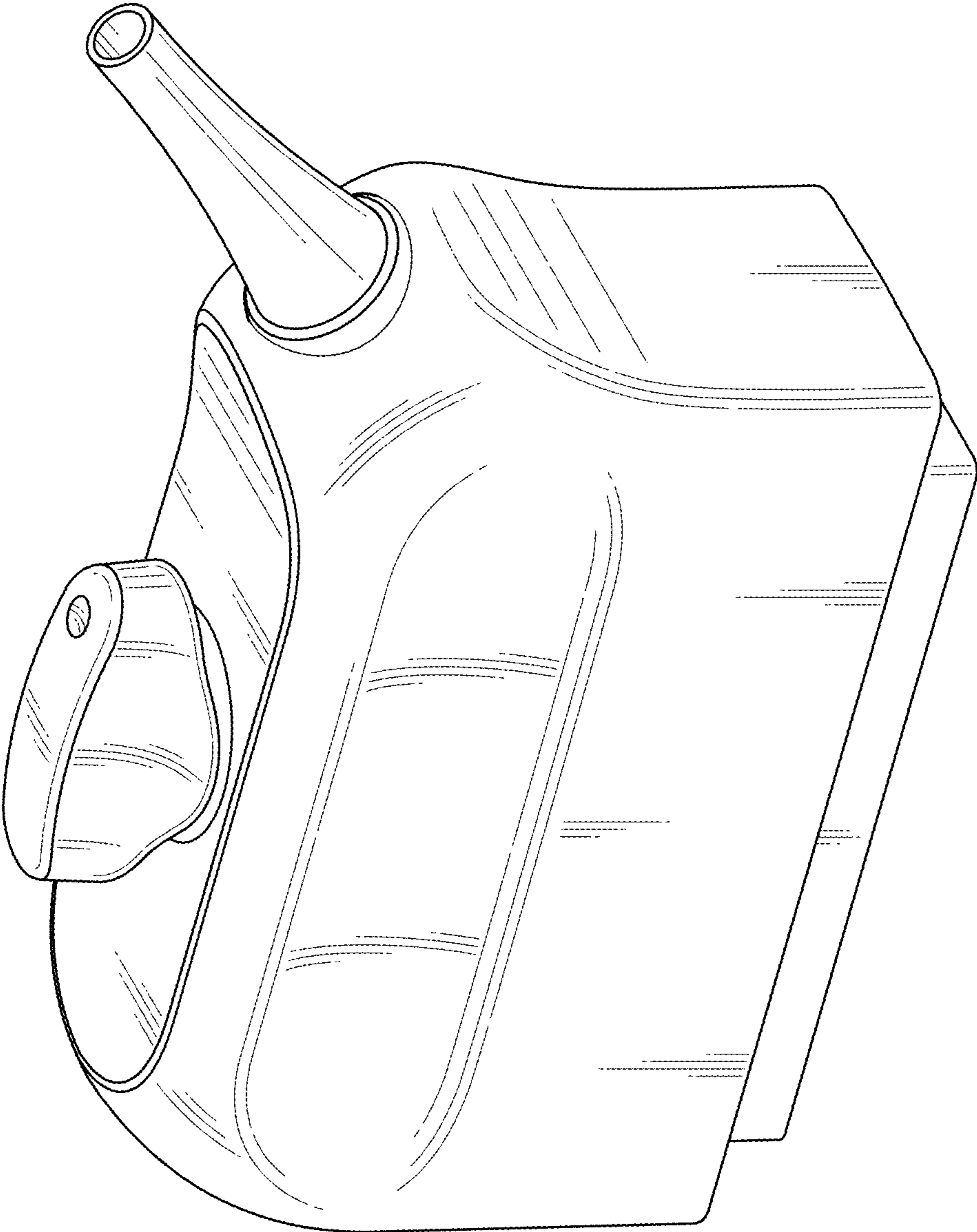


FIG. 1

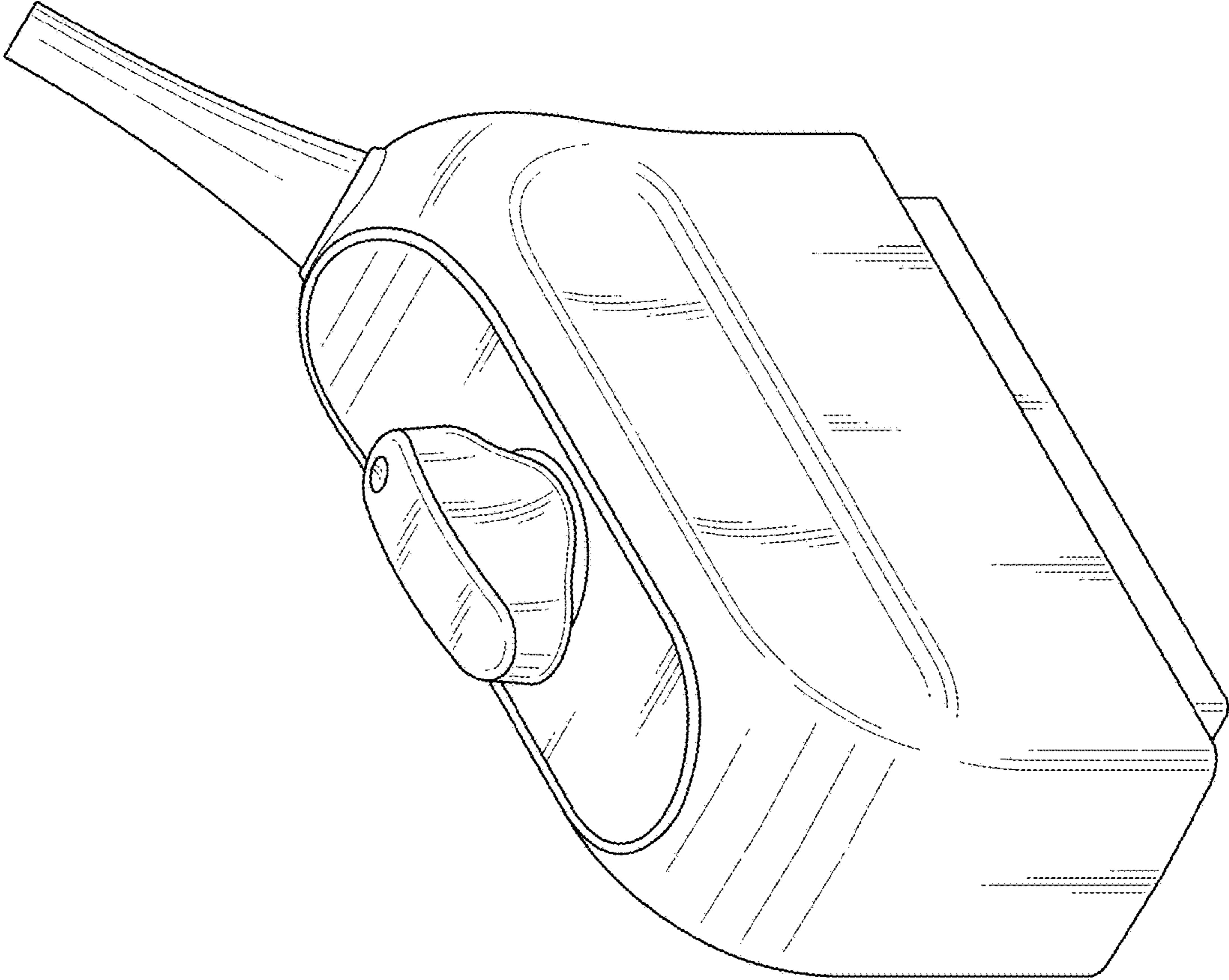


FIG. 2

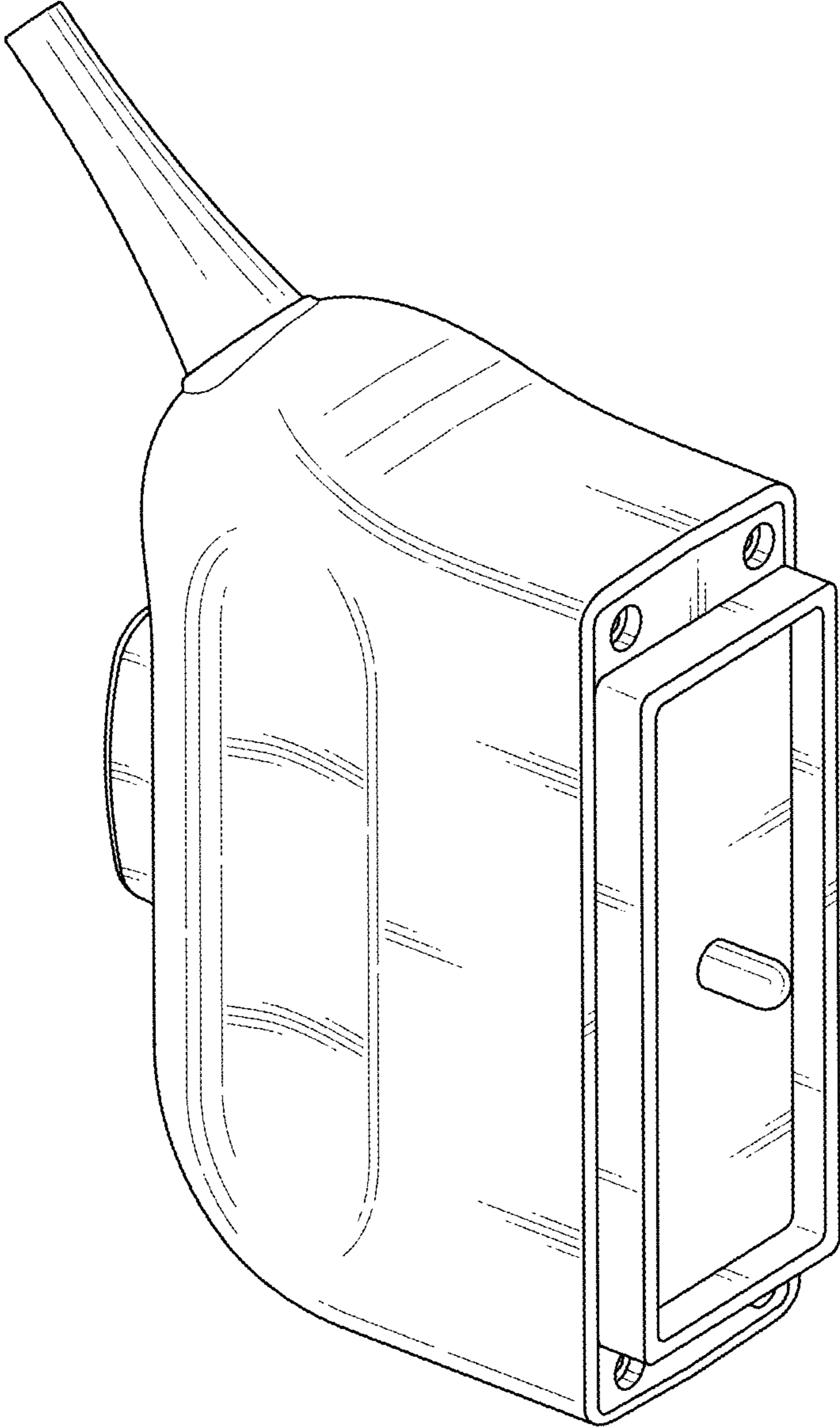


FIG. 3

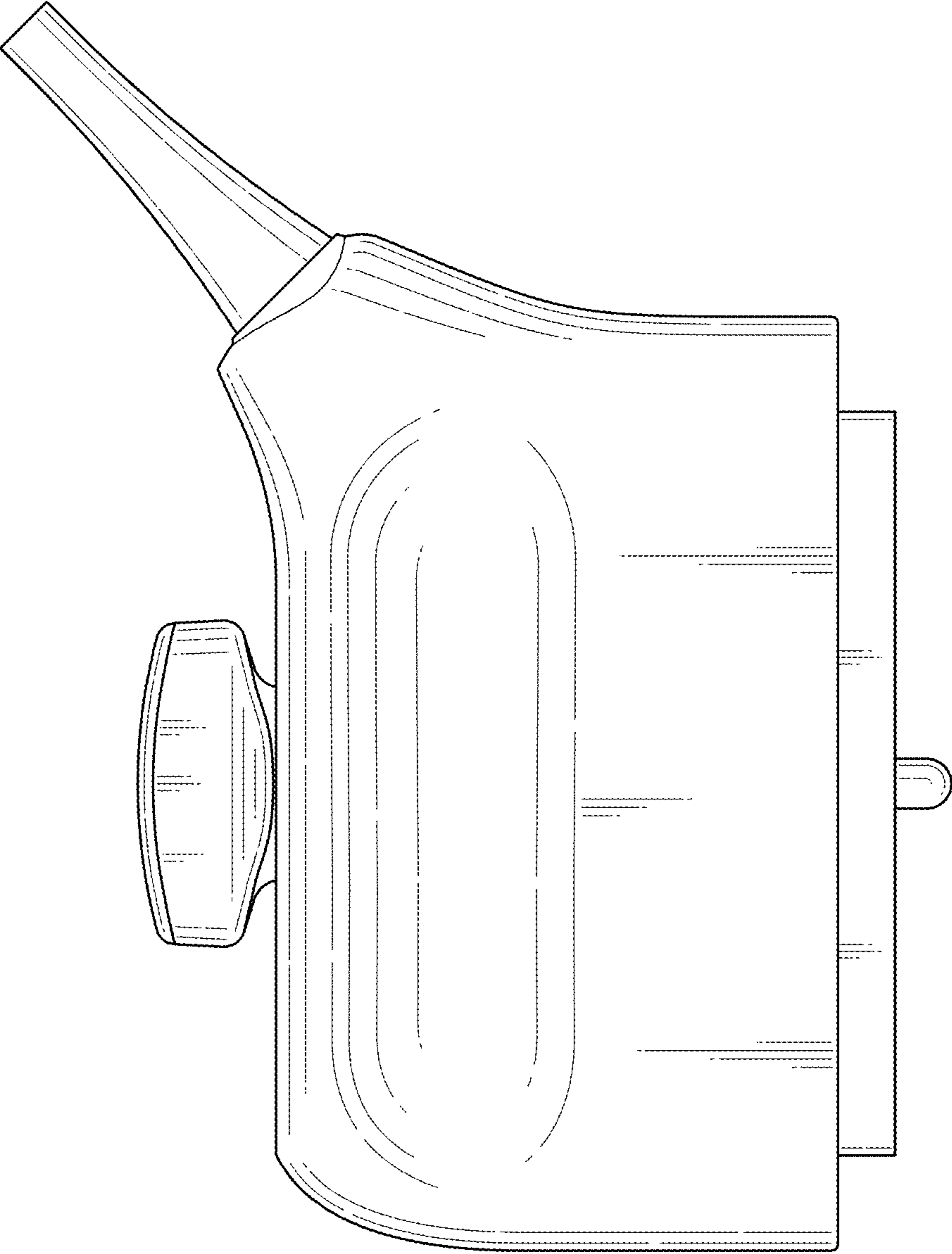


FIG. 4

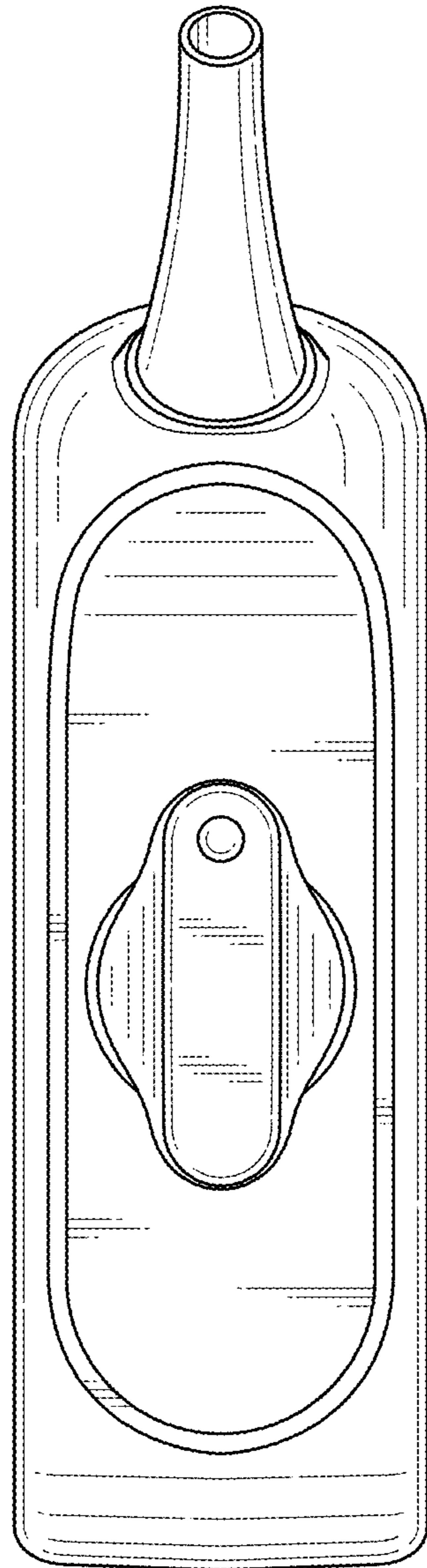


FIG. 5

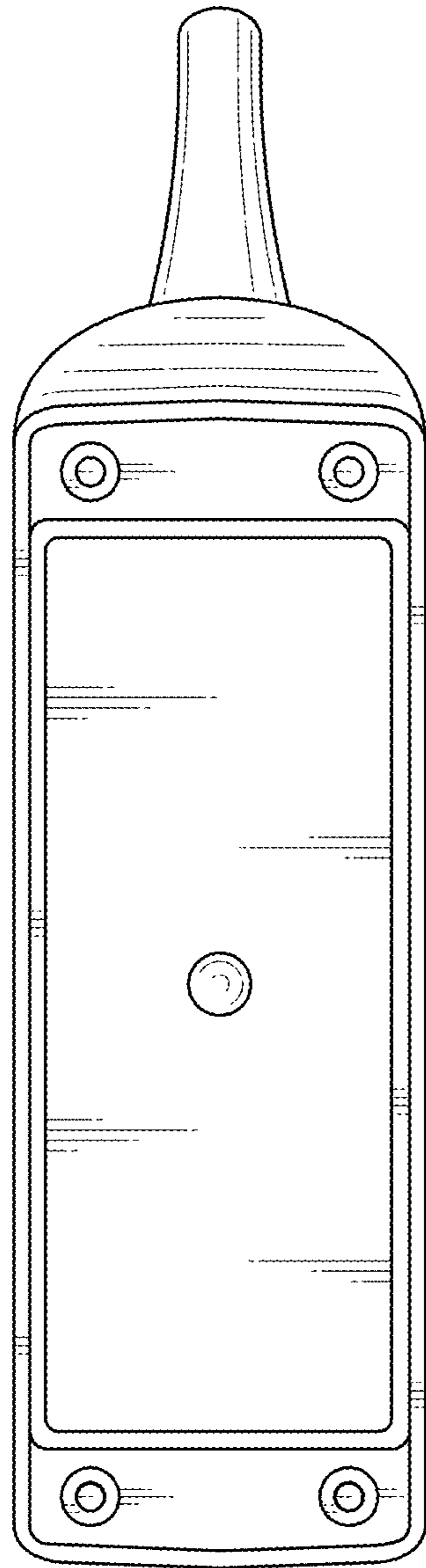


FIG. 6

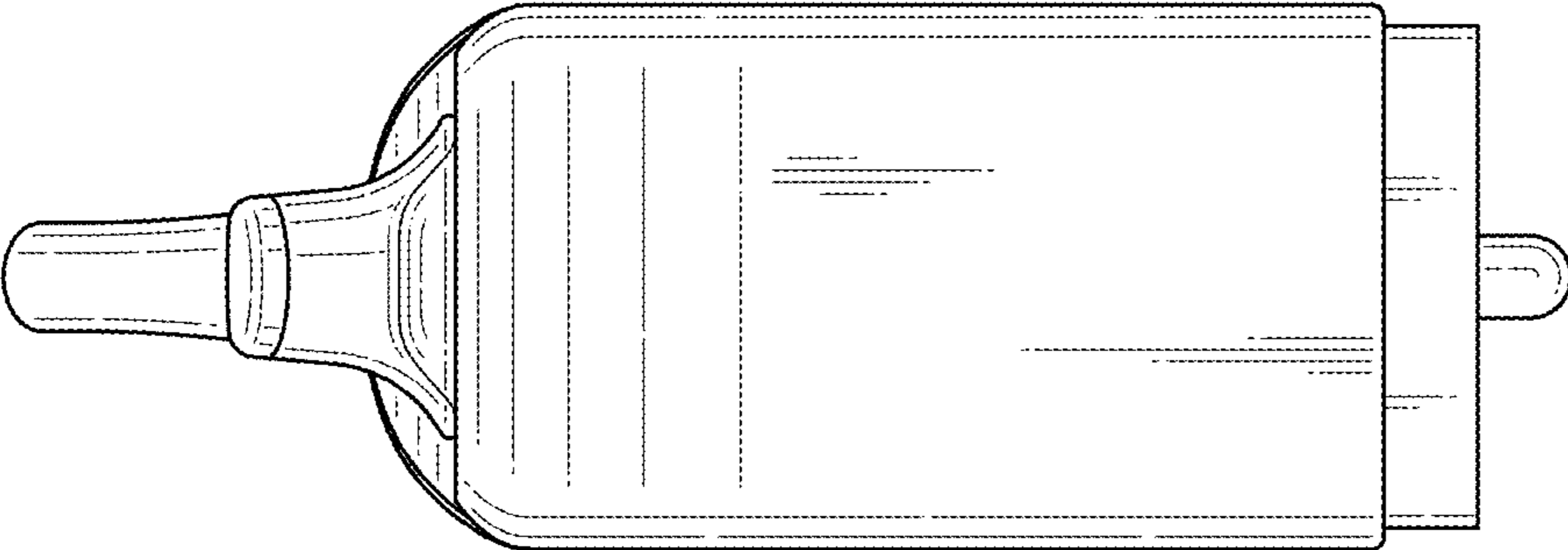


FIG. 7

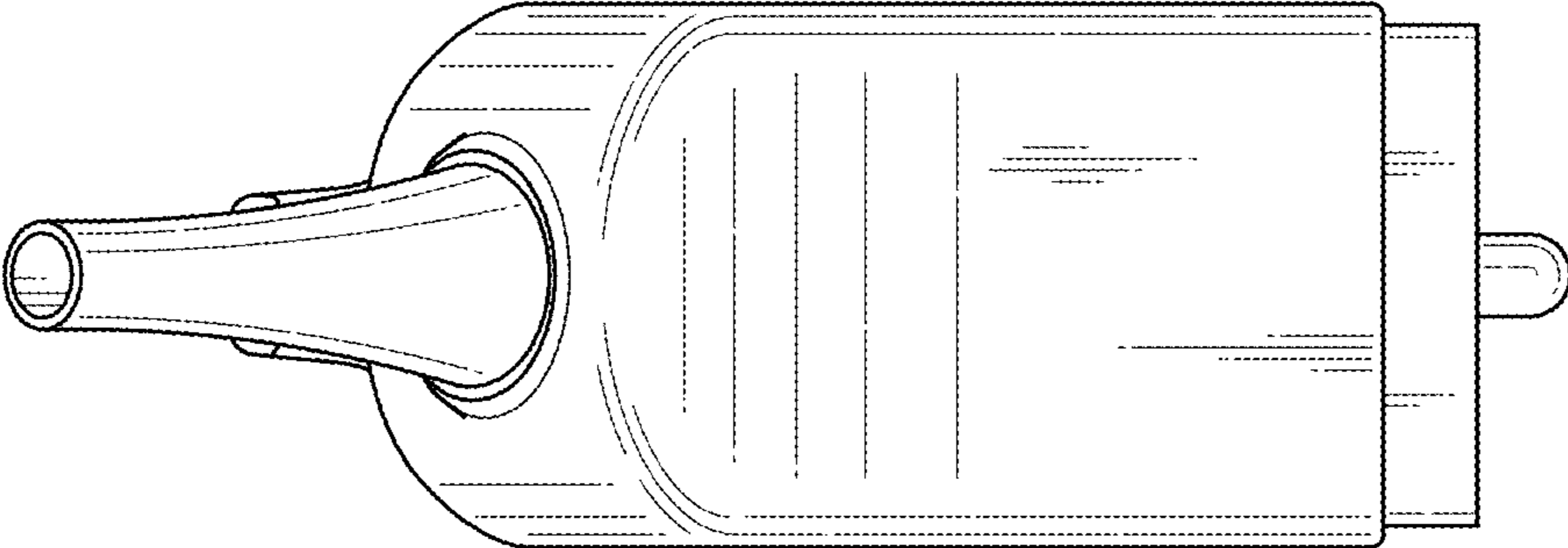


FIG. 8