



US00D811604S

(12) **United States Design Patent** (10) **Patent No.:** **US D811,604 S**
Hashimoto et al. (45) **Date of Patent:** **** Feb. 27, 2018**

(54) **PRESSURE DETECTOR FOR AN EXTRACORPOREAL CIRCULATION CIRCUIT**

G02B 27/017; G02B 2027/0134; A61M 2021/0027; A61N 2005/0647

See application file for complete search history.

(71) Applicant: **TORAY INDUSTRIES, INC.**, Tokyo (JP)

(56) **References Cited**

(72) Inventors: **Kazuyuki Hashimoto**, Otsu (JP); **Yumi Oka**, Otsu (JP)

U.S. PATENT DOCUMENTS

(73) Assignee: **TORAY INDUSTRIES, INC.**, Tokyo (JP)

D498,535 S *	11/2004	Genau	D24/186
D632,397 S *	2/2011	Edwards	D24/186
D742,509 S *	11/2015	Anderson	D24/129
D742,528 S *	11/2015	Huffman	D24/186
D742,529 S *	11/2015	Huffman	D24/186
D745,153 S *	12/2015	Dowdell	D24/108
D754,843 S *	4/2016	Sonderegger	D24/108
D756,504 S *	5/2016	Sonderegger	D24/108
D776,820 S *	1/2017	Rouillac	D24/167

(**) Term: **15 Years**

(Continued)

(21) Appl. No.: **35/501,144**

Primary Examiner — **Zenia Bennett**

(22) Filed: **Dec. 28, 2015**

(74) *Attorney, Agent, or Firm* — **Birch, Stewart, Kolasch & Birch, LLP**

(80) **Hague Agreement Data**

Int. Filing Date: **Dec. 28, 2015**

Int. Reg. No.: **DM/089569**

Int. Reg. Date: **Dec. 28, 2015**

Int. Reg. Pub. Date: **Jul. 1, 2016**

(57) **CLAIM**

The ornamental design for a pressure detector for an extracorporeal circulation circuit, as shown and described.

(30) **Foreign Application Priority Data**

Jun. 29, 2015 (JP) 2015-014294

(51) **LOC (11) Cl.** **24-01**

(52) **U.S. Cl.**
USPC **D24/186**

(58) **Field of Classification Search**

USPC D24/184–187, 167–169, 165, 214–215, D24/129, 111, 100, 200, 106; D14/147, D14/206, 344

CPC H04M 2250/02; H04M 1/6066; H04M 1/6033; H04M 1/6058; H04M 1/6075;

DESCRIPTION

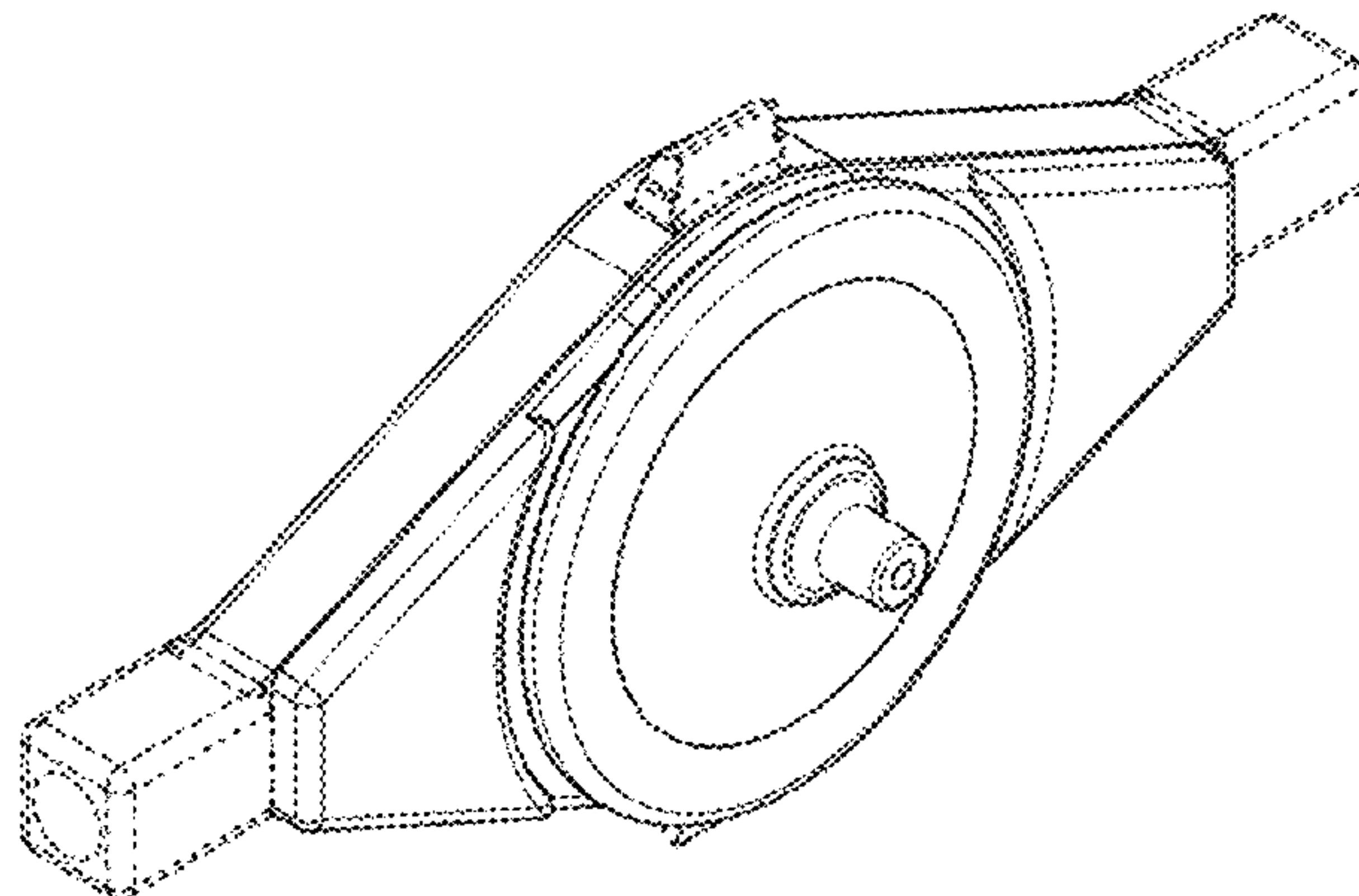
1. Pressure detector for an extracorporeal circulation circuit
Fig. 1.1 is a perspective view;
Fig. 1.2 is a front view;
Fig. 1.3 is a rear view;
Fig. 1.4 is a top view;
Fig. 1.5 is bottom view;
Fig. 1.6 is a left side view;
Fig. 1.7 is a right side view;
Fig. 1.8 is a cross-sectional view of the claimed design taken along the line 1.8-1.8 in Fig. 1.2.

The portions of the pressure detector for an extracorporeal circulation circuit shown in broken lines do not form part of the claimed design.

The broken lines having alternating long and short segments define the boundaries of the claimed design and form no part of the claimed design.

The article is transparent.

(Continued)



The thin contour lines shown on the surface of the design illustrate the shape of the three-dimensional surface.

1 Claim, 8 Drawing Sheets

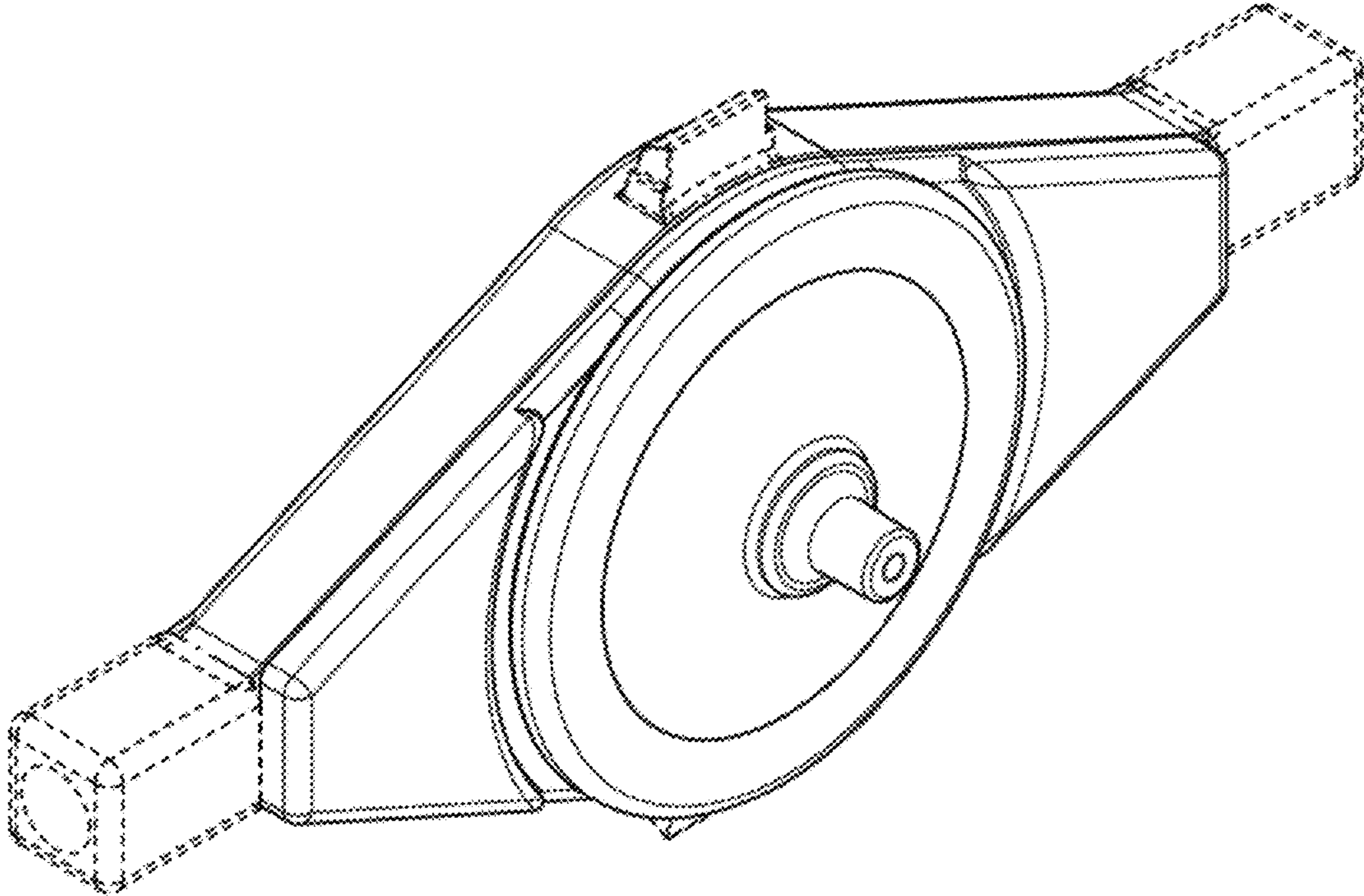
(56) **References Cited**

U.S. PATENT DOCUMENTS

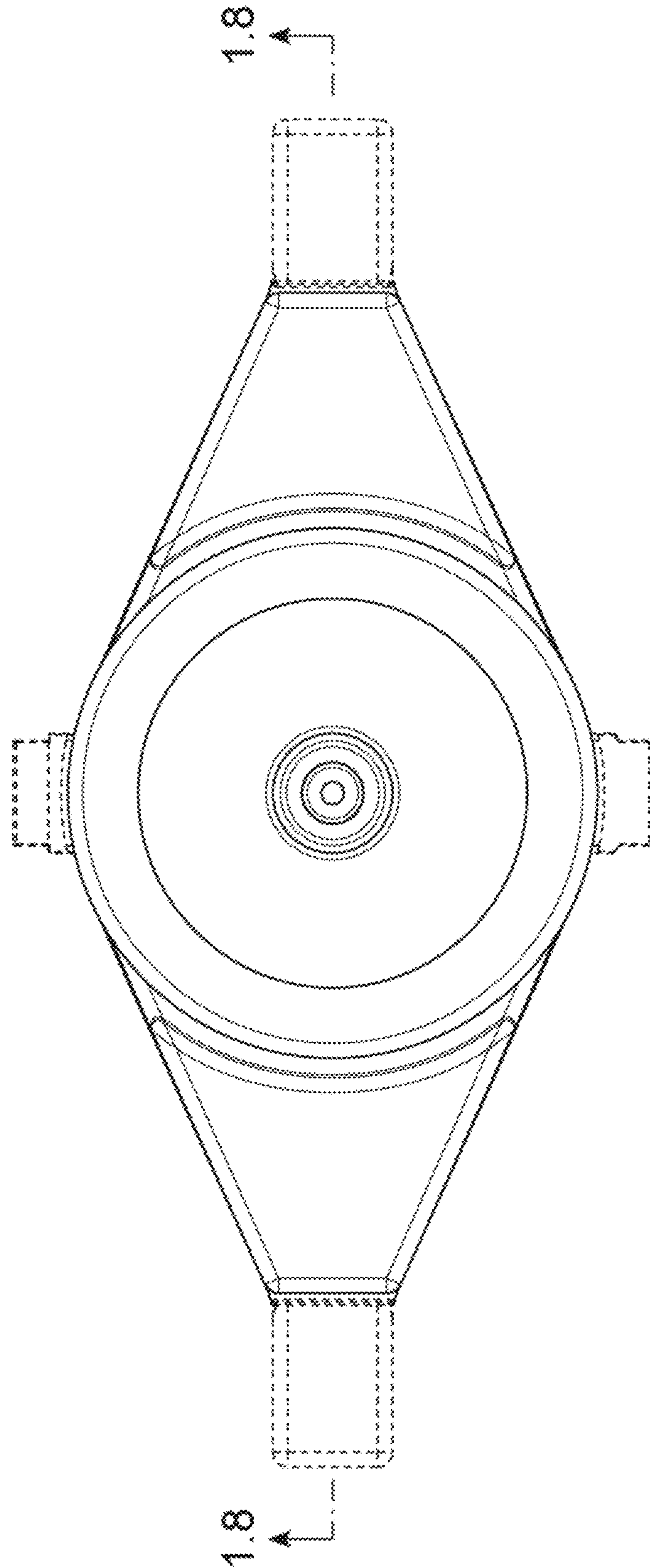
D778,450 S * 2/2017 Min D24/186
D782,051 S * 3/2017 Ryu D24/186

* cited by examiner

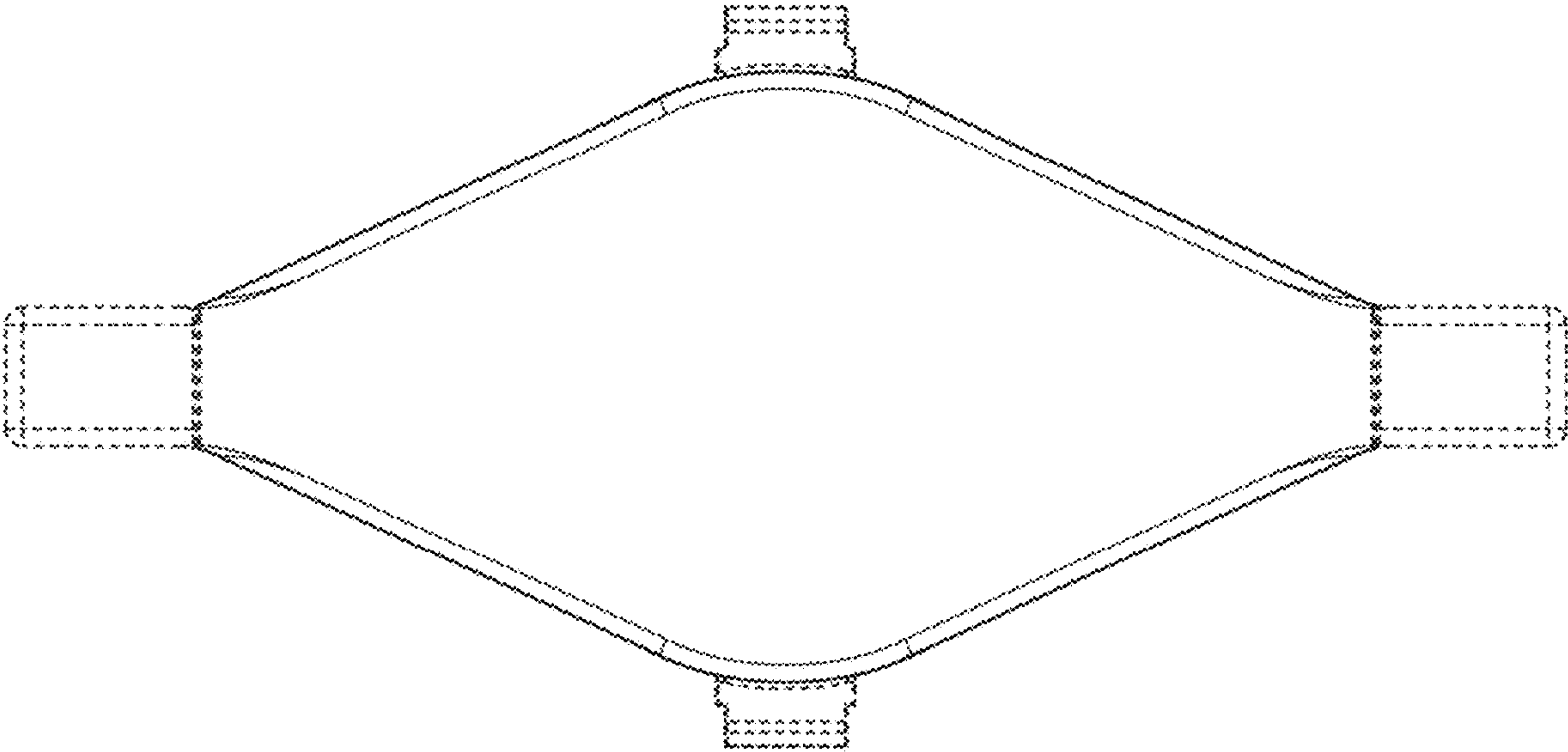
1.1



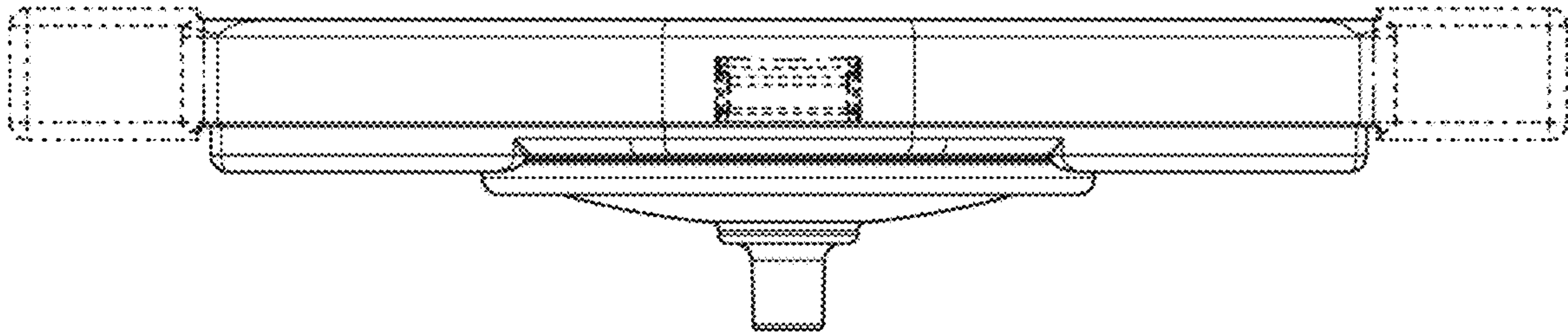
1.2



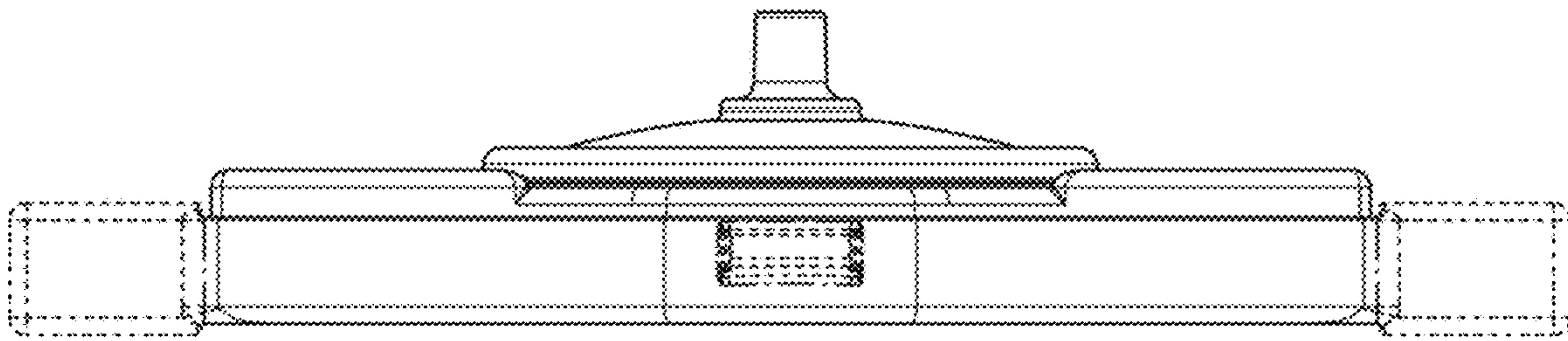
1.3



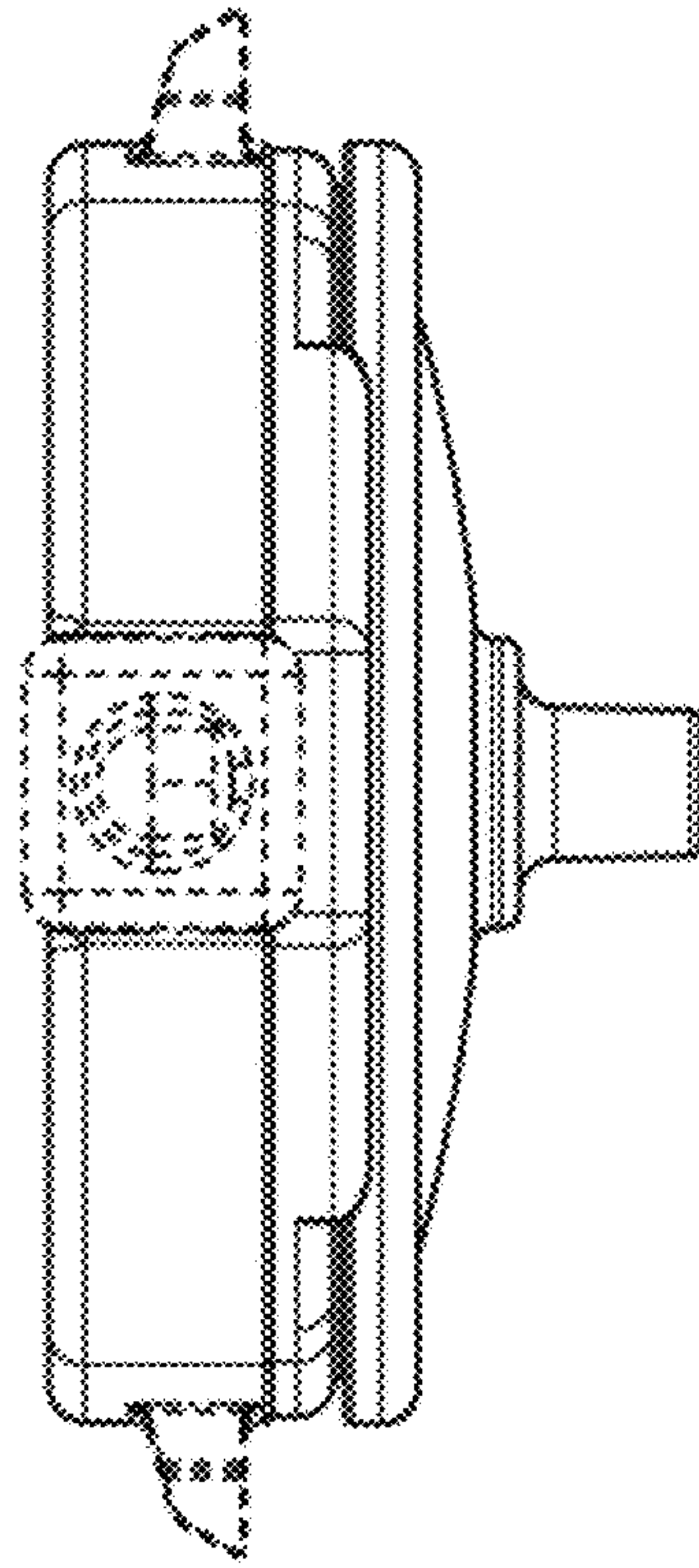
1.4



1.5



1.6



1.7

