



US00D811601S

(12) **United States Design Patent**  
**Oowa et al.**

(10) **Patent No.:** **US D811,601 S**

(45) **Date of Patent:** **\*\* Feb. 27, 2018**

(54) **ADJUSTER FOR AIRWAY ESTABLISHMENT  
DEVICE**

(71) Applicants: **TAKASHIMA SANGYO CO., LTD.**,  
Nagano (JP); **KURUME  
UNIVERSITY**, Fukuoka (JP)

(72) Inventors: **Junji Oowa**, Chino (JP); **Jingo  
Kusukawa**, Kurume (JP); **Ryuichiro  
Tanoue**, Kurume (JP); **Kinuko Ogata**,  
Kurume (JP)

(73) Assignees: **Takashima Sangyo Co., Ltd.** (JP);  
**Kurume University** (JP)

(\*\*) Term: **15 Years**

(21) Appl. No.: **35/500,931**

(22) Filed: **Nov. 12, 2015**

(80) **Hague Agreement Data**

Int. Filing Date: **Nov. 12, 2015**

Int. Reg. No.: **DM/088659**

Int. Reg. Date: **Nov. 12, 2015**

Int. Reg. Pub. Date: **May 13, 2016**

(51) **LOC (11) Cl.** ..... **24-00**

(52) **U.S. Cl.**  
USPC ..... **D24/181**

(58) **Field of Classification Search**  
USPC ..... D24/181, 176, 182, 110, 112, 127;  
D16/242; D11/218; 128/848, 207.14  
CPC ..... A61M 16/0465; A61F 5/566  
See application file for complete search history.

(56) **References Cited**

**U.S. PATENT DOCUMENTS**

4,817,598 A \* 4/1989 LaBombard ..... A61M 16/0465  
128/207.14

D434,501 S \* 11/2000 Redhage ..... D24/181

D452,011 S *	12/2001	Redhage	.....	D24/181
D457,964 S *	5/2002	Huffman	.....	D24/176
D464,431 S *	10/2002	Huffman	.....	D24/176
D464,733 S *	10/2002	Huffman	.....	D24/176
D551,767 S *	9/2007	Costello	.....	D24/182
D582,559 S *	12/2008	Khawaled	.....	D24/181
D596,297 S *	7/2009	Huffman	.....	D24/182
D615,187 S *	5/2010	Bowden	.....	D24/110
D618,806 S *	6/2010	Gelb	.....	D24/181
D655,816 S *	3/2012	Llop	.....	D24/181
D686,327 S *	7/2013	Marumori	.....	D24/181
D727,492 S *	4/2015	Scampoli	.....	D24/110
D743,842 S *	11/2015	La Guzza	.....	D11/218
D753,288 S *	4/2016	Vallotton	.....	D24/112
D757,242 S *	5/2016	Maksym	.....	D24/110
D757,258 S *	5/2016	Weißhaupt	.....	D24/127
D765,255 S *	8/2016	Levine	.....	D24/181
D780,249 S *	2/2017	Ramsthaler	.....	D16/242
2008/0105268 A1 *	5/2008	Kusukawa	.....	A61F 5/566 128/848

\* cited by examiner

*Primary Examiner* — Rhea Shields

(74) *Attorney, Agent, or Firm* — Harness, Dickey &  
Pierce, P.L.C.

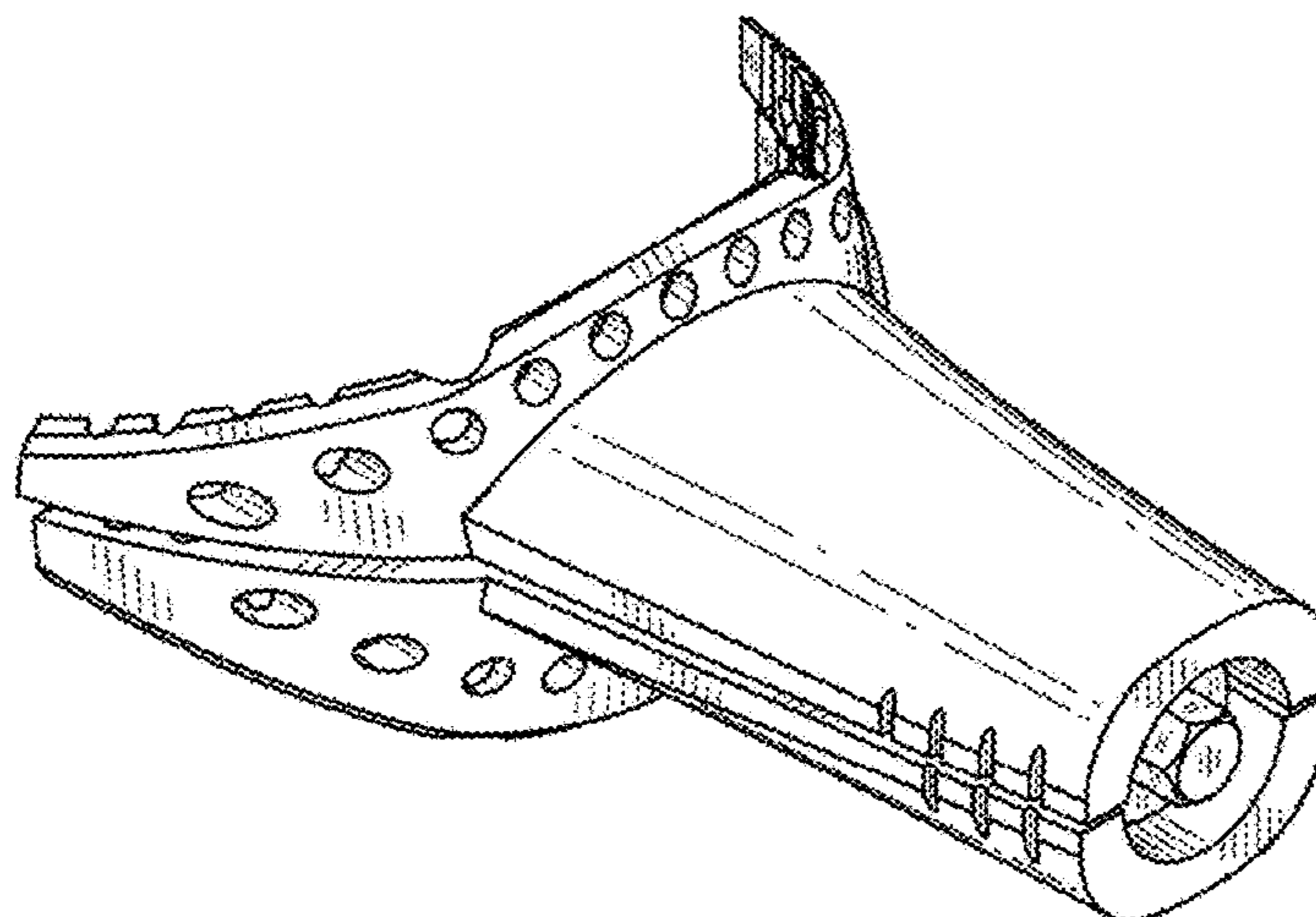
(57) **CLAIM**

The ornamental design for an adjuster for airway establish-  
ment device, as shown and described.

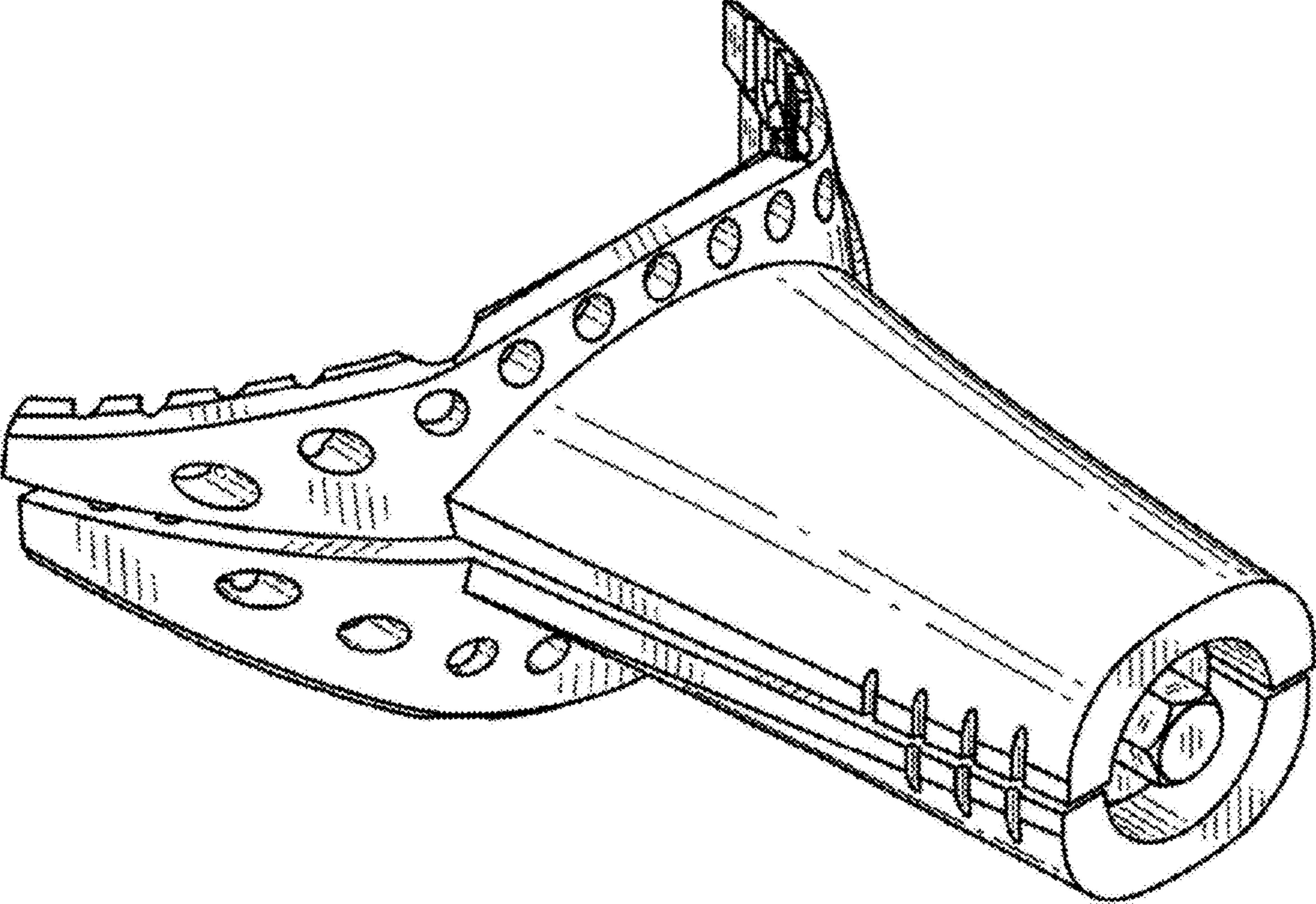
**DESCRIPTION**

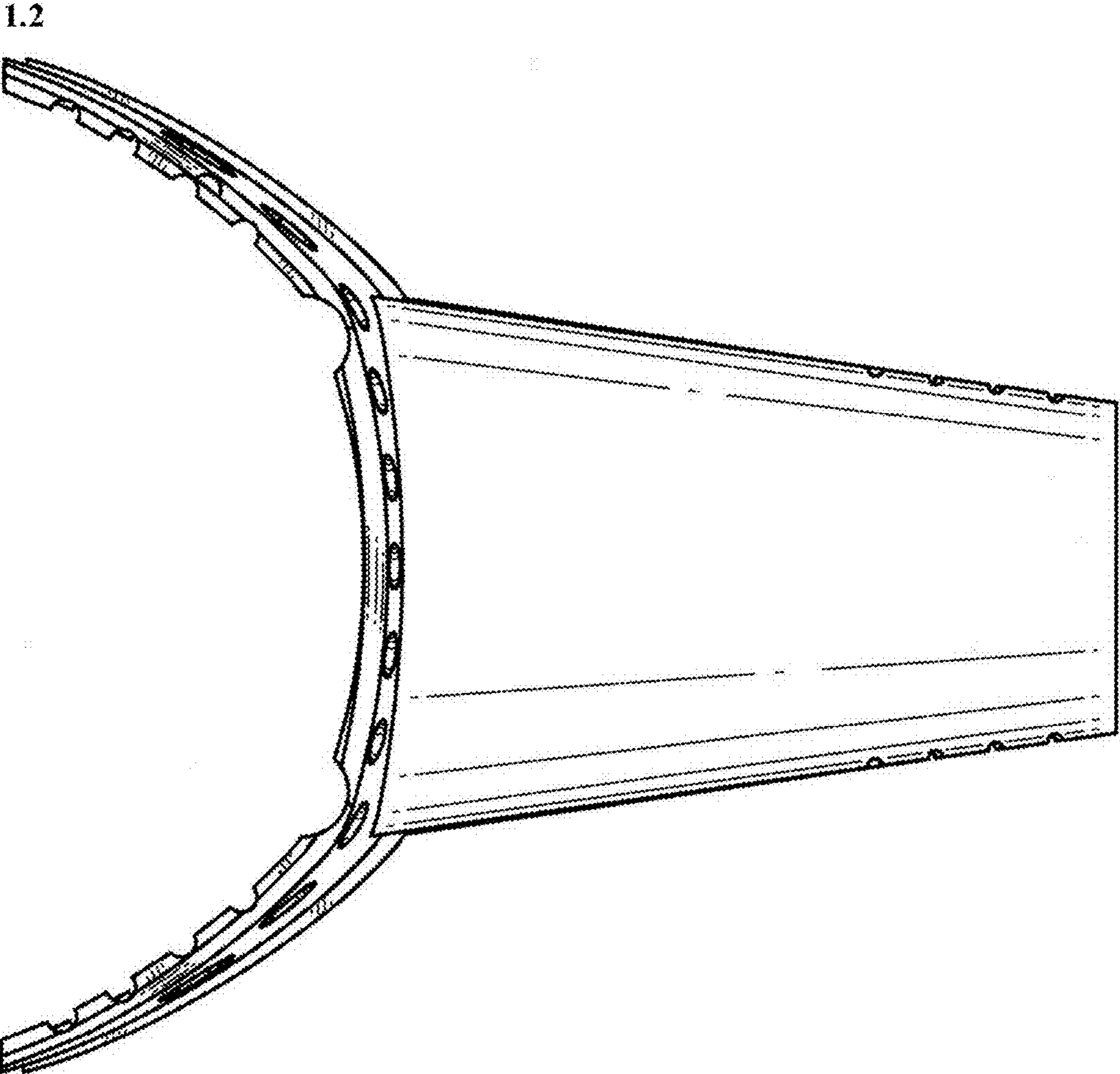
1. Adjuster for airway establishment device
  - 1.1 : Perspective
  - 1.2 : Top
  - 1.3 : Bottom
  - 1.4 : Front
  - 1.5 : Back
  - 1.6 : Right
  - 1.7 : Left

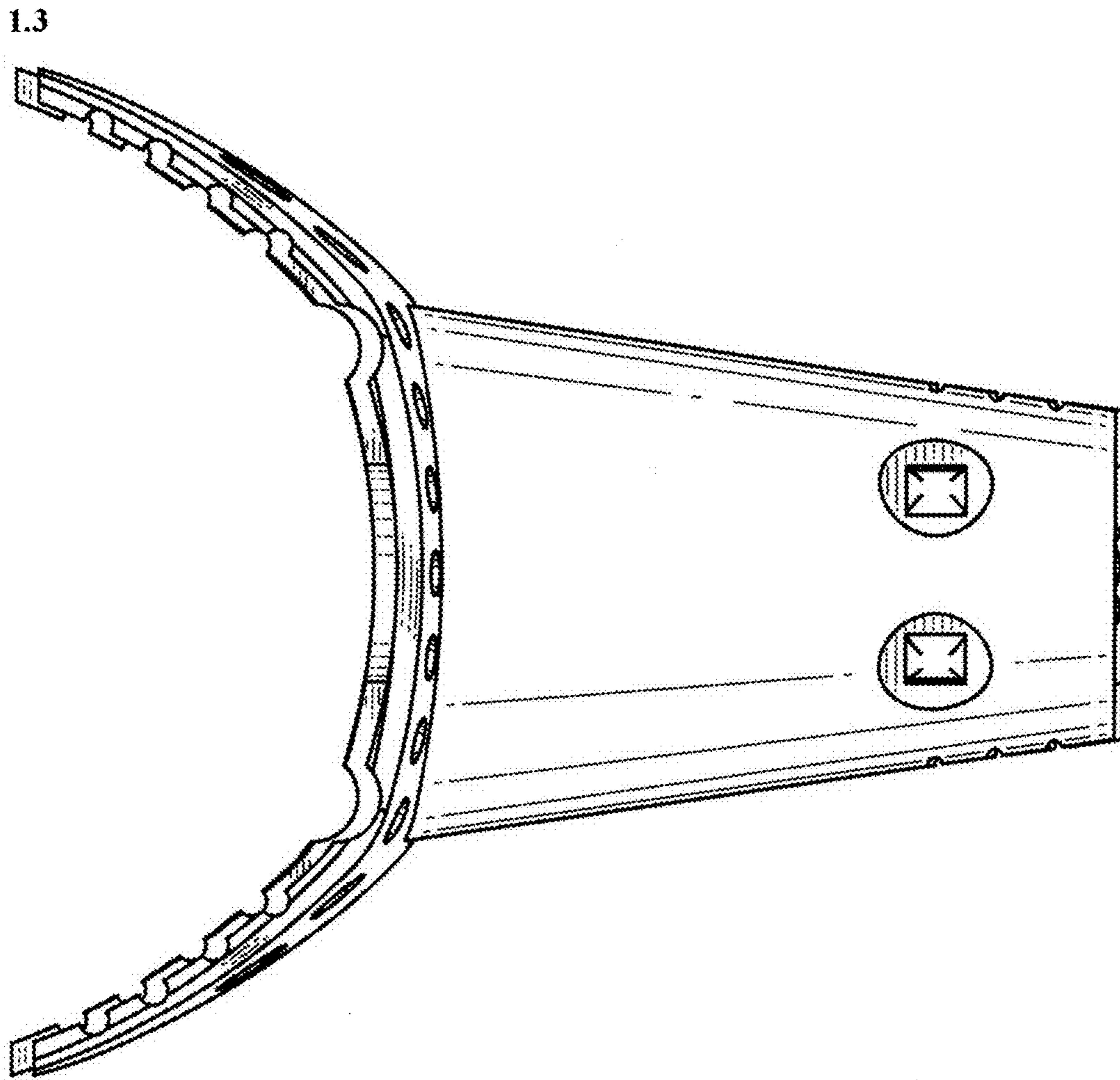
**1 Claim, 7 Drawing Sheets**



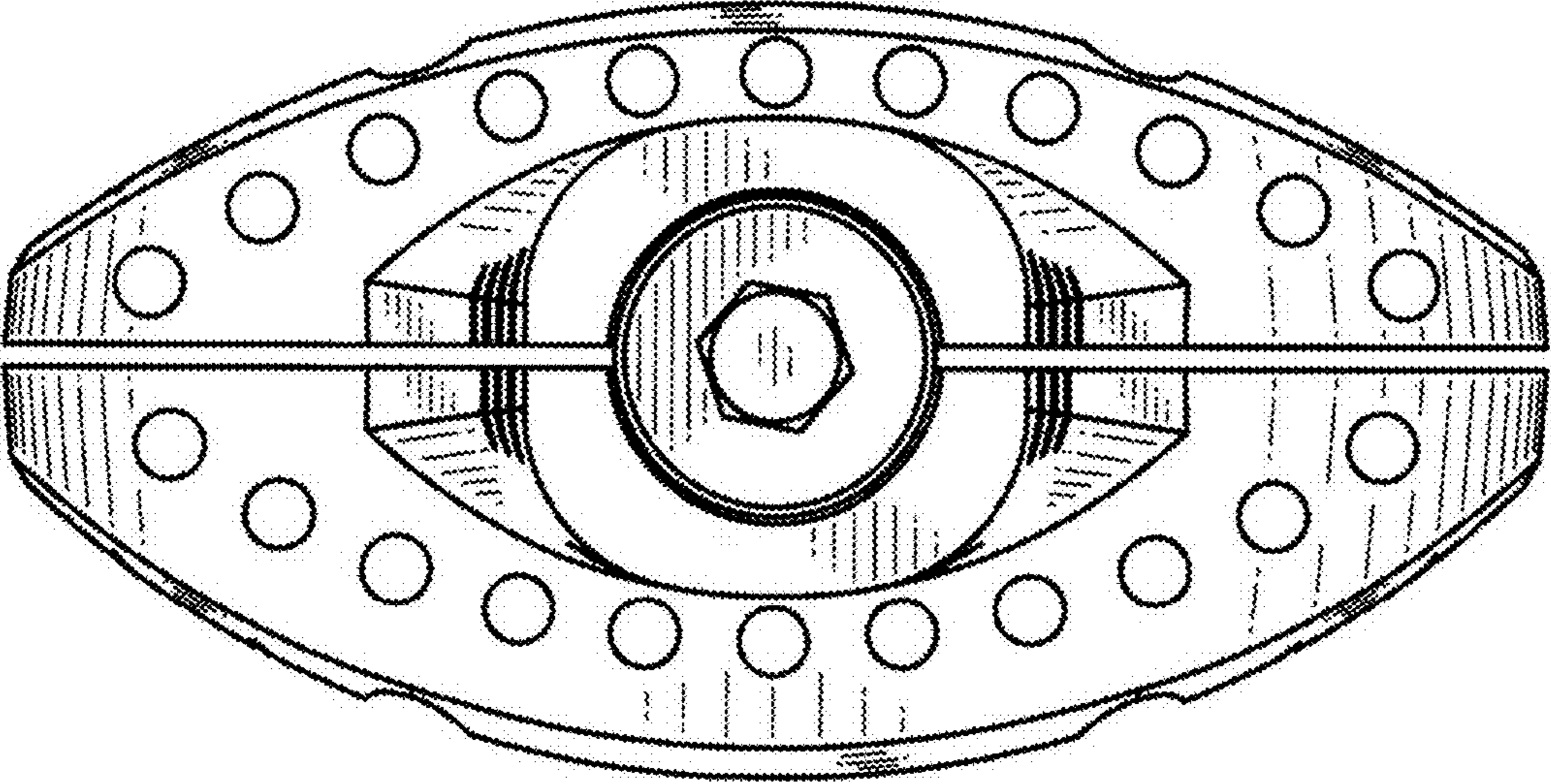
1.1



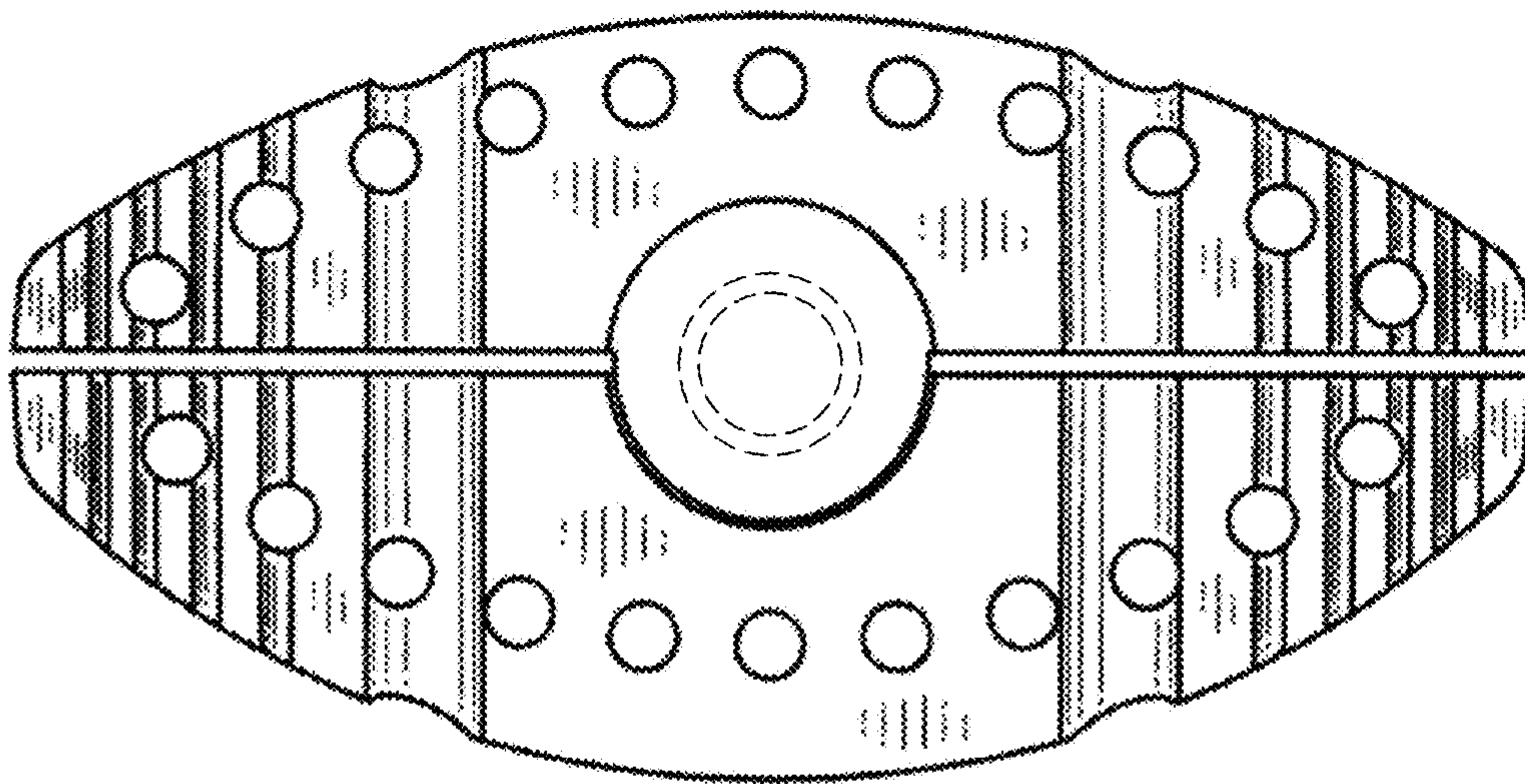




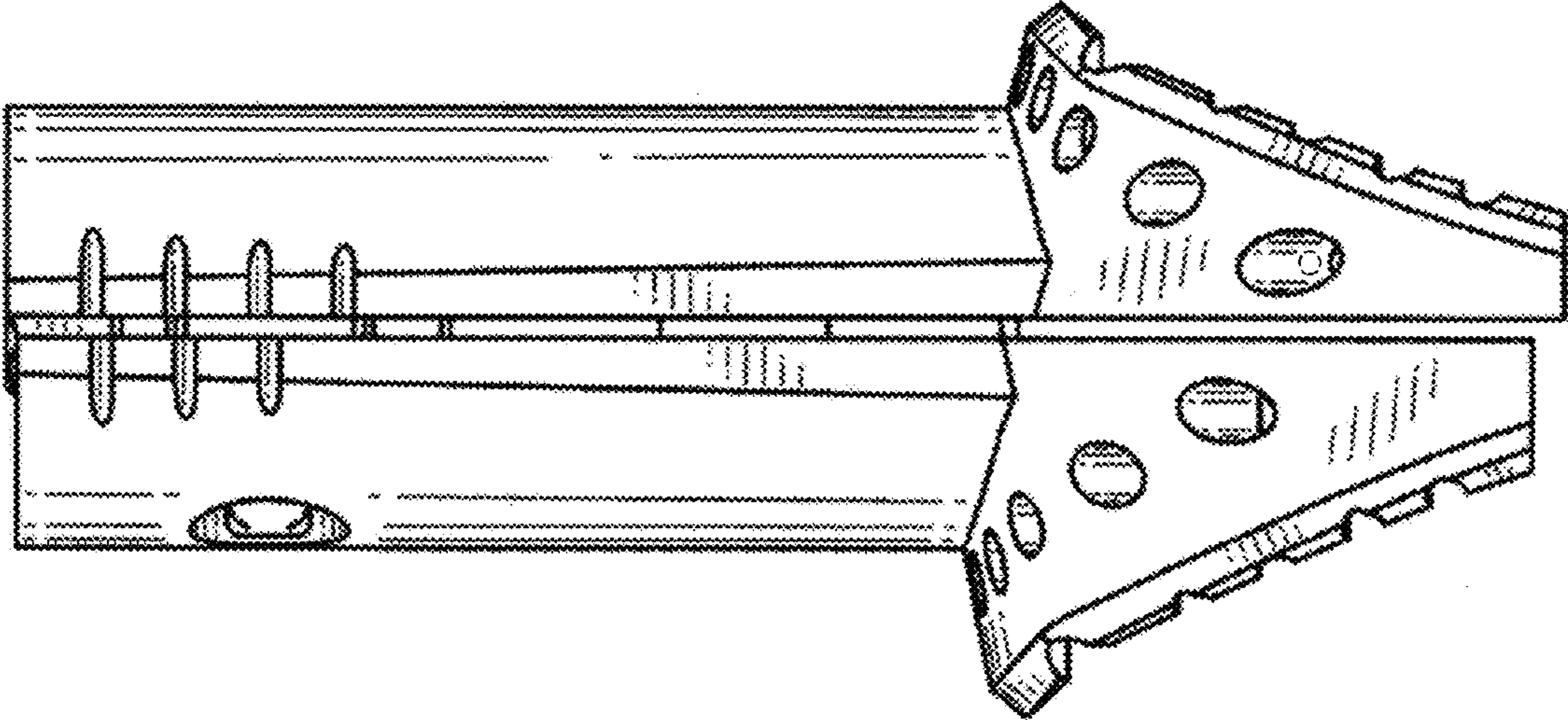
1.4



1.5



1.6



1.7

