



US00D811599S

(12) **United States Design Patent** (10) **Patent No.:** **US D811,599 S**  
**Russell et al.** (45) **Date of Patent:** **\*\* Feb. 27, 2018**

(54) **BRACKET FOR A SOUND PROCESSOR AND A COIL**

(71) Applicant: **Cochlear Limited**, Macquarie University (AU)

(72) Inventors: **Peter John Russell**, Regentville (AU); **David Harte**, Erskineville (AU)

(73) Assignee: **Cochlear Limited**, Macquarie University, NSW (AU)

(\*\*) Term: **15 Years**

(21) Appl. No.: **29/592,262**

(22) Filed: **Jan. 27, 2017**

**Related U.S. Application Data**

(62) Division of application No. 29/512,365, filed on Dec. 18, 2014, now Pat. No. Des. 778,447.

(51) **LOC (11) Cl.** ..... **24-99**

(52) **U.S. Cl.**  
USPC ..... **D24/173**

(58) **Field of Classification Search**  
USPC ..... D24/173–175; D14/205, 223–226, 249, D14/188; D8/354, 349, 382  
CPC .. H04R 2225/025; H04R 25/60; H04R 25/63; H04R 25/67; H04R 25/602; H04R 25/604; H04R 25/608; H04R 25/65; H04R 25/652  
See application file for complete search history.

(56) **References Cited**

**U.S. PATENT DOCUMENTS**

D468,729 S 1/2003 Takayama  
6,731,770 B1 5/2004 Vonlanthen

D528,213 S	9/2006	Darley	
D582,900 S *	12/2008	Lichfield	D14/224
D585,880 S *	2/2009	Sade	D14/205
D635,961 S	4/2011	Gidden et al.	
D663,715 S	7/2012	Glezerman et al.	
D671,096 S *	11/2012	Song	D14/223
D682,807 S	5/2013	Stevinson	
D685,771 S *	7/2013	Bertenthal	D14/223
D693,008 S	11/2013	Chan et al.	
D729,212 S	5/2015	Adams et al.	
2006/0239483 A1	10/2006	Orts	
2008/0285782 A1	11/2008	Gommel	
2014/0275736 A1	9/2014	Ruppersberg	

\* cited by examiner

*Primary Examiner* — Anhdao Doan

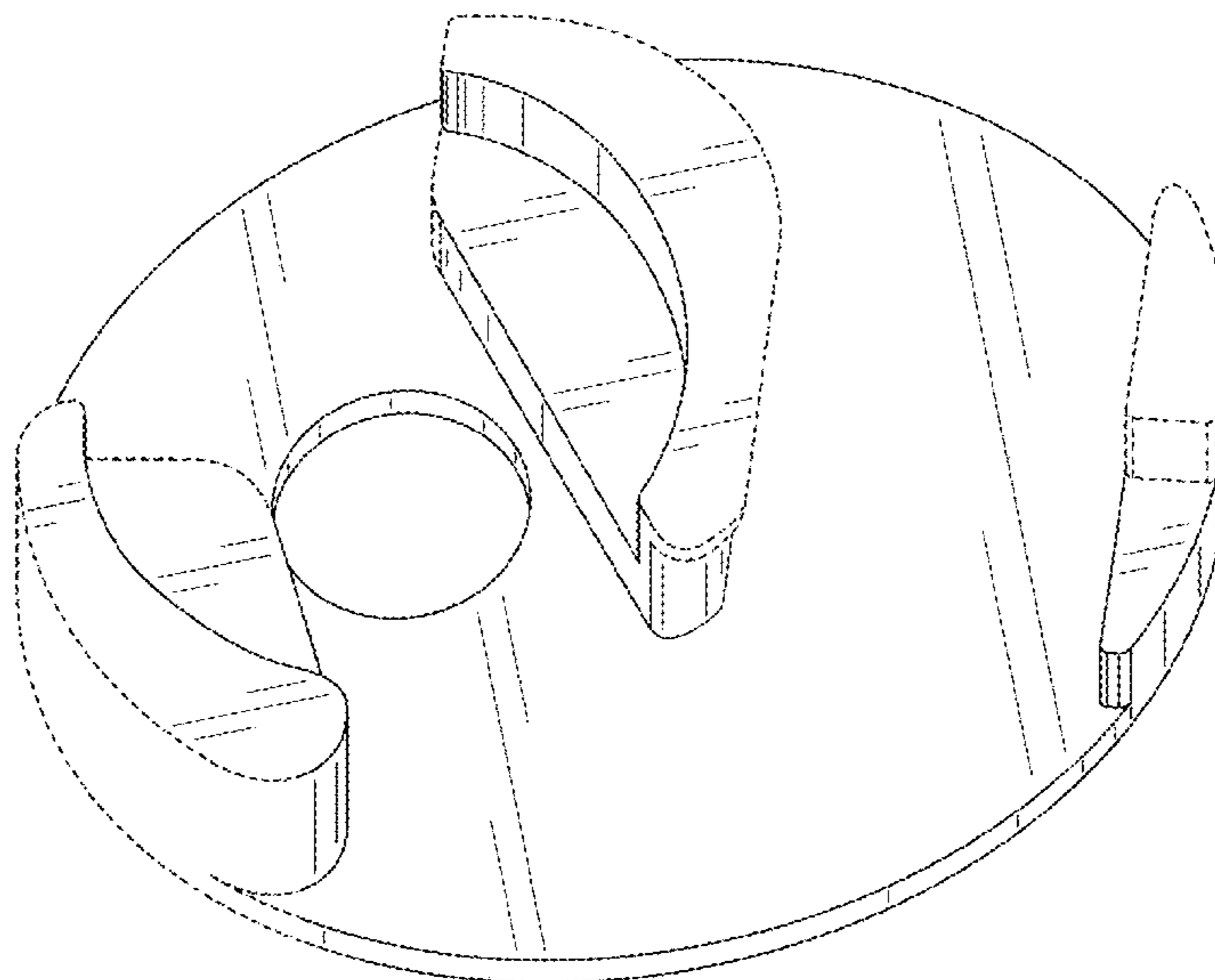
(57) **CLAIM**

The ornamental design for a bracket for a sound processor and a coil, as shown and described.

**DESCRIPTION**

FIG. 1 is a perspective view of a bracket for a sound processor and a coil of the present design;  
 FIG. 2 is a front view thereof;  
 FIG. 3 is a rear view thereof;  
 FIG. 4 is a left side view thereof;  
 FIG. 5 is a right side view thereof;  
 FIG. 6 is a top view thereof;  
 FIG. 7 is bottom view thereof; and,  
 FIG. 8 is a perspective view of the bracket with a sound processor and a coil mounted on the bracket.  
 The broken lines immediately adjacent the shaded areas represent the bounds of the claim, while all other broken lines are directed to environment and are for illustrative purposes only; the broken lines form no part of the claimed design.

**1 Claim, 6 Drawing Sheets**



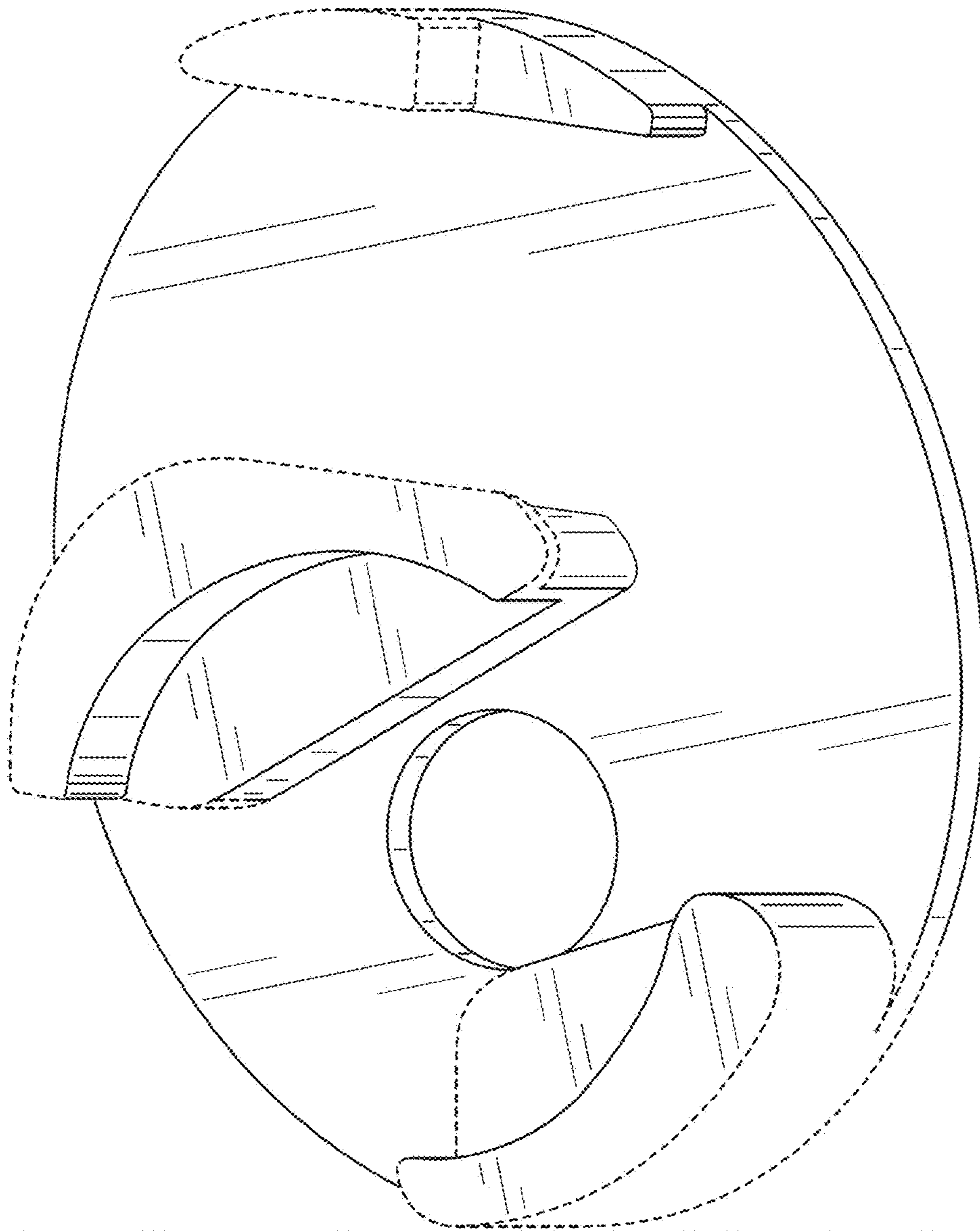


FIG. 1

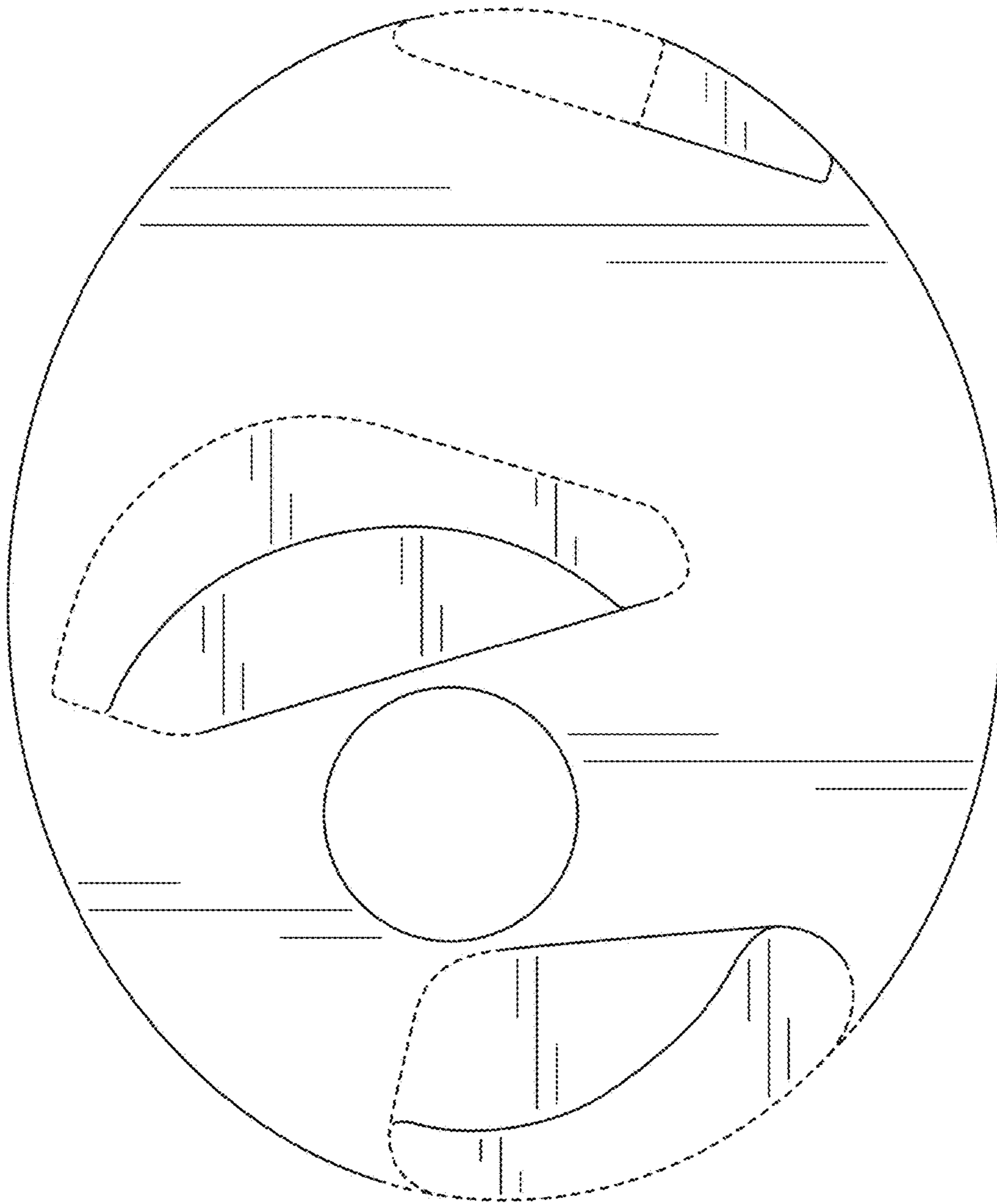


FIG. 2

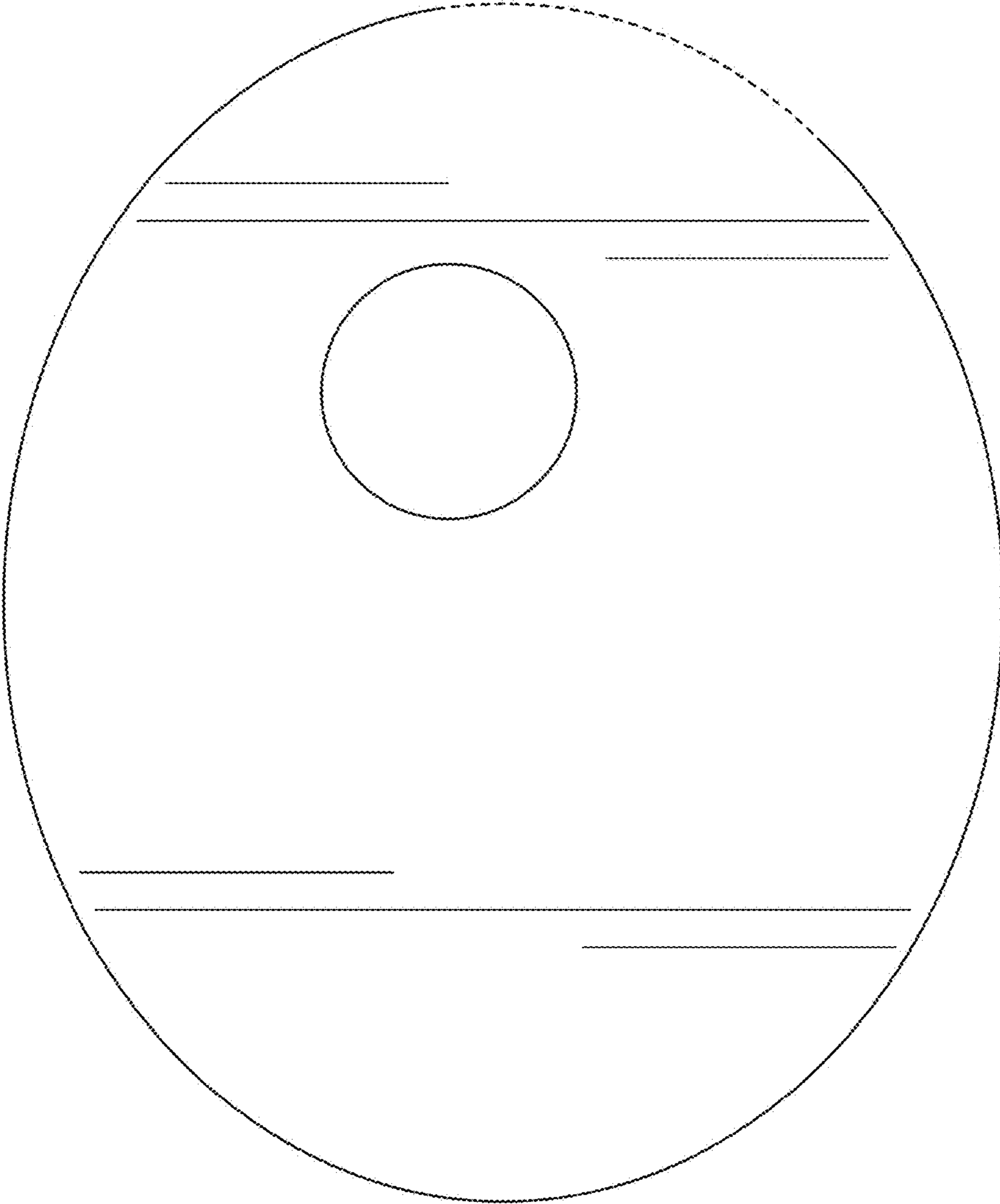


FIG. 3



FIG. 4

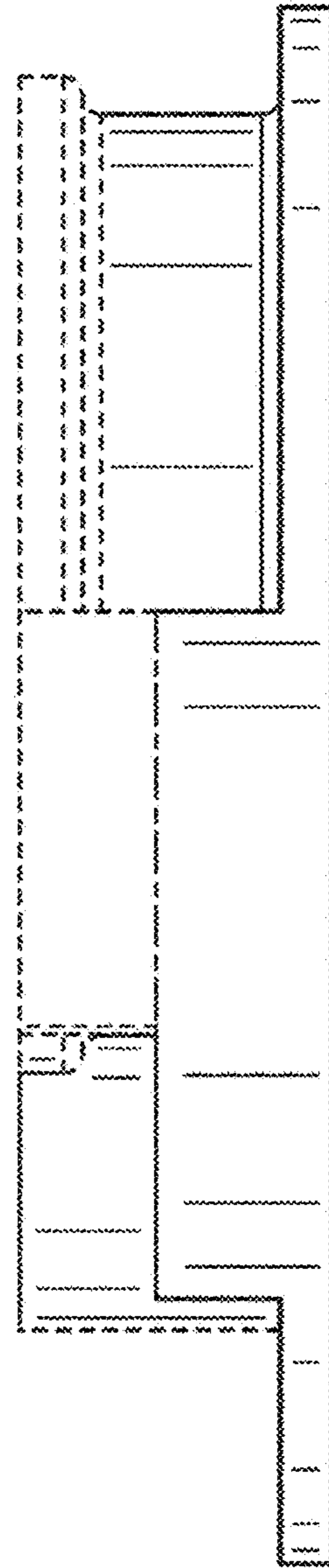


FIG. 5

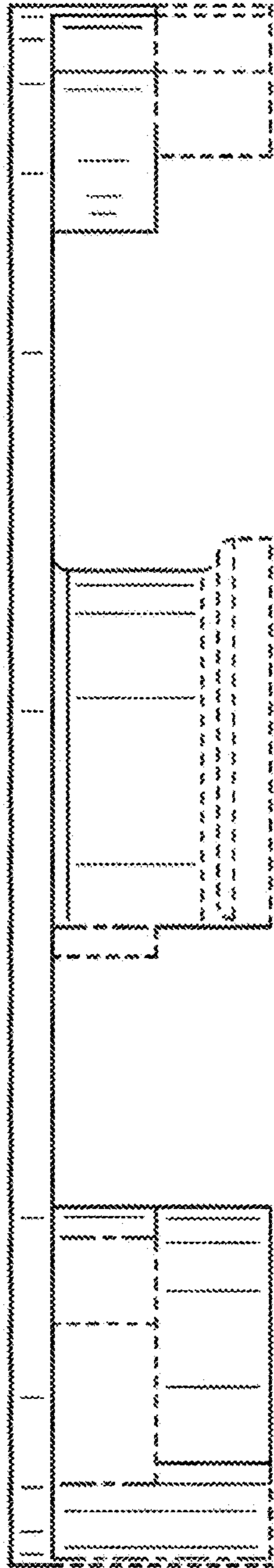


FIG. 6

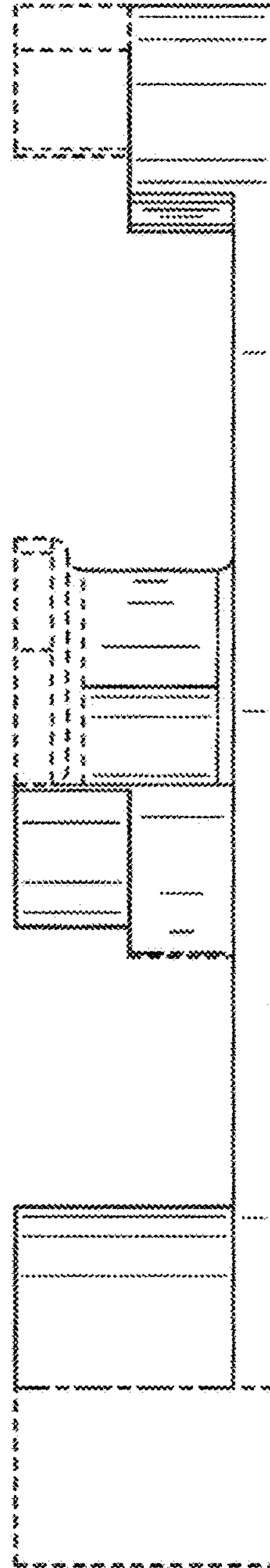


FIG. 7

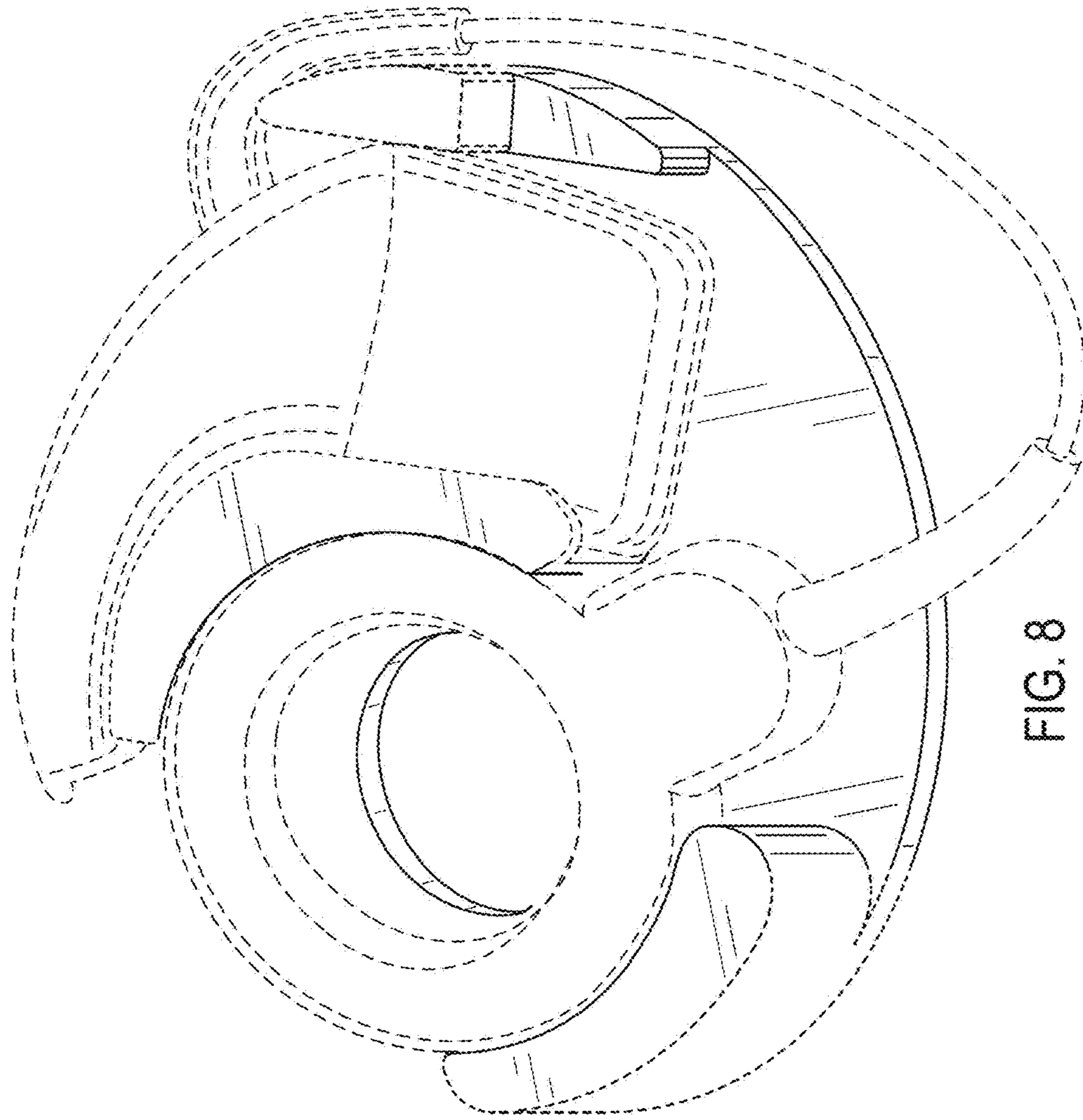


FIG. 8