



US00D811598S

(12) **United States Design Patent**  
**Baek et al.**

(10) **Patent No.:** **US D811,598 S**

(45) **Date of Patent:** **\*\* Feb. 27, 2018**

(54) **PORTABLE AUTOMATED EXTERNAL DEFIBRILLATOR**

(71) Applicant: **SAMSUNG ELECTRONICS CO., LTD.**, Suwon-si (KR)

(72) Inventors: **Min-Gun Baek**, Seoul (KR); **Hee-Jae Jo**, Suwon-si (KR); **Se-Hoon Lim**, Suwon-si (KR); **Hyung-Jong Ko**, Seongnam-si (KR); **Yong-In Park**, Seoul (KR)

(73) Assignee: **SAMSUNG ELECTRONICS CO., LTD.**, Suwon-si (KR)

(\*\*) Term: **15 Years**

(21) Appl. No.: **29/579,332**

(22) Filed: **Sep. 29, 2016**

(30) **Foreign Application Priority Data**

Mar. 29, 2016 (KR) ..... 30-2016-0014544

(51) **LOC (11) Cl.** ..... **24-01**

(52) **U.S. Cl.**  
USPC ..... **D24/167**

(58) **Field of Classification Search**  
USPC ..... D24/165–168, 186, 187, 107; D10/75; D3/203.1

CPC ..... A61N 1/39; A61N 1/3925; A61N 1/3968; A61N 1/3987; A61N 1/3993; A61N 1/046; A61N 1/0484; A61N 1/0492

See application file for complete search history.

(56) **References Cited**

**U.S. PATENT DOCUMENTS**

3,055,372 A \* 9/1962 Browner ..... A61N 1/36014  
607/71  
3,389,703 A \* 6/1968 Criswell ..... A61N 1/04  
607/119

D272,943 S \* 3/1984 Stone ..... D24/134  
D274,262 S \* 6/1984 Heilman ..... D24/168  
D498,535 S \* 11/2004 Genau ..... D24/186  
D519,636 S \* 4/2006 Okuda ..... D24/168  
D718,867 S \* 12/2014 Schroderus ..... D24/167  
D766,447 S \* 9/2016 Bishay ..... D24/187  
D782,682 S \* 3/2017 Jung ..... D24/167  
2017/0135595 A1 \* 5/2017 Baek ..... A61B 5/04017  
2017/0188863 A1 \* 7/2017 Jo ..... A61B 5/0402

\* cited by examiner

*Primary Examiner* — Anhdao Doan

*Assistant Examiner* — Mary Malley

(74) *Attorney, Agent, or Firm* — Sughrue Mion, PLLC

(57) **CLAIM**

The ornamental design for a portable automated external defibrillator, as shown and described.

**DESCRIPTION**

FIG. 1 is a perspective view of a portable automated external defibrillator showing our new design;

FIG. 2 is a front view thereof;

FIG. 3 is a rear view thereof;

FIG. 4 is a left-side view thereof;

FIG. 5 is a right-side view thereof;

FIG. 6 is a top plan view thereof;

FIG. 7 is a bottom plan view thereof;

FIG. 8 is rear perspective view thereof; and,

FIG. 9 is another perspective view thereof showing how the device can be used.

The broken lines show portions of the portable automated external defibrillator that form no part of the claimed design.

The broken lines showing the human figure in FIG. 9 represent environmental subject matter and are for illustrative purposes only.

**1 Claim, 7 Drawing Sheets**

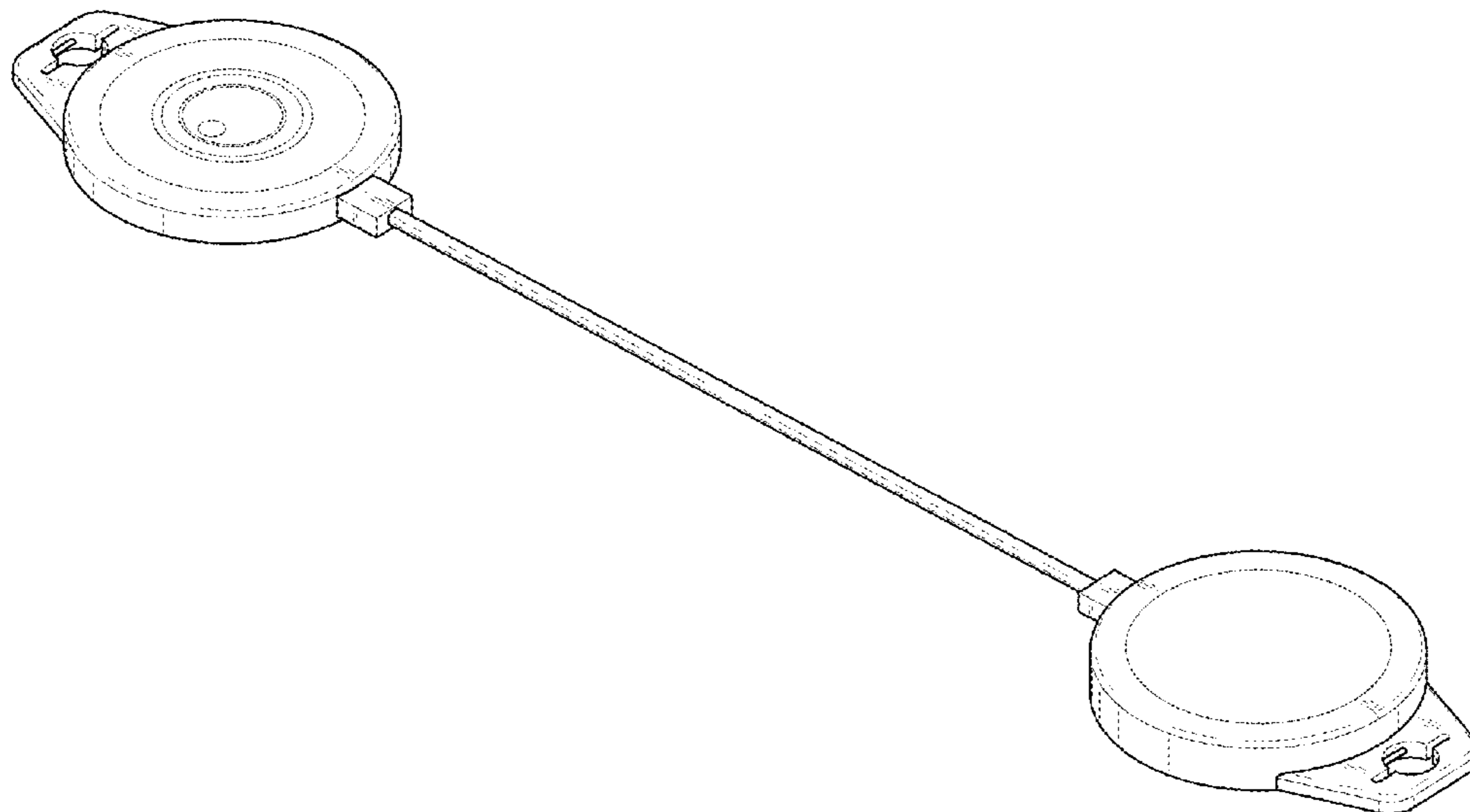


FIG. 1

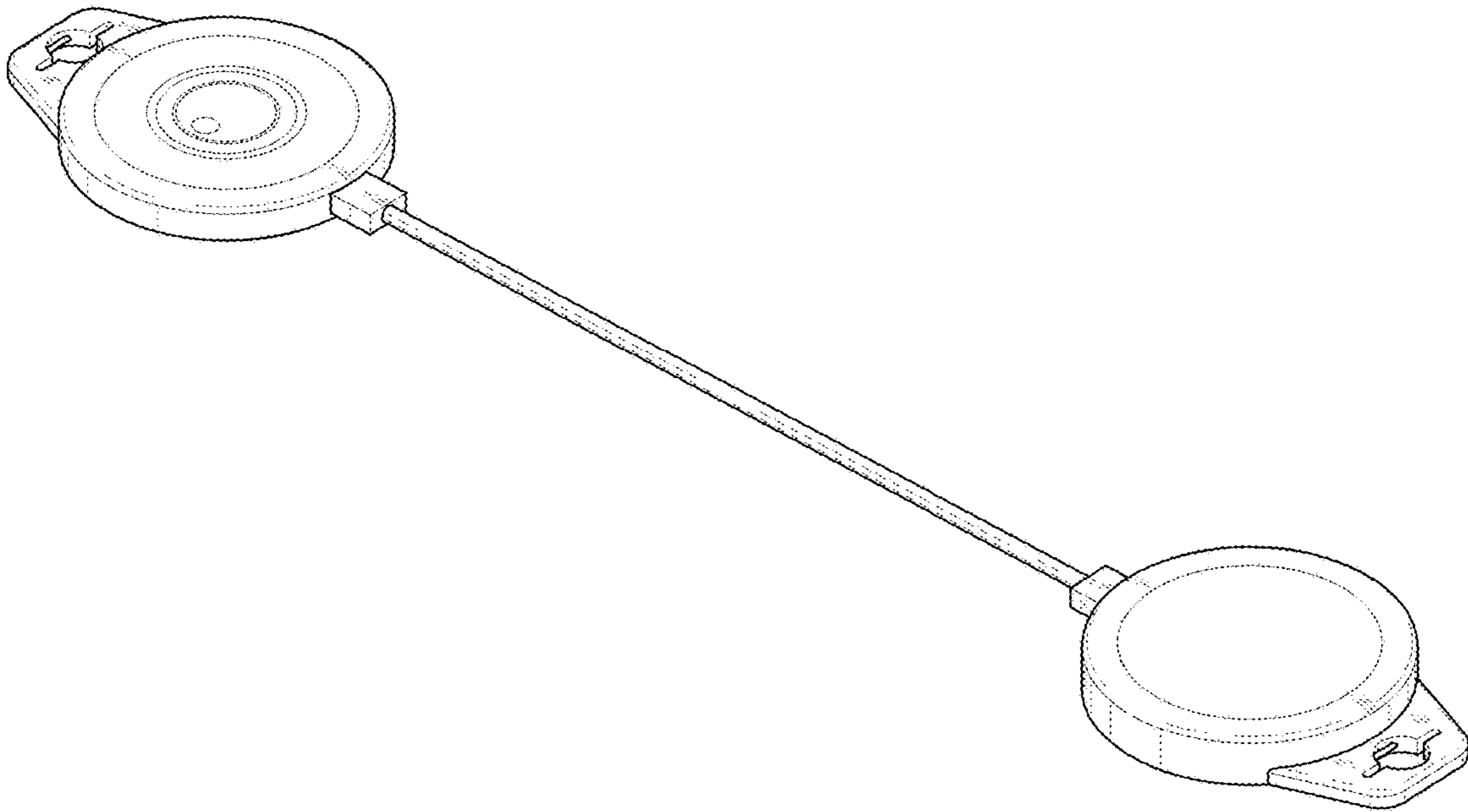


FIG. 2

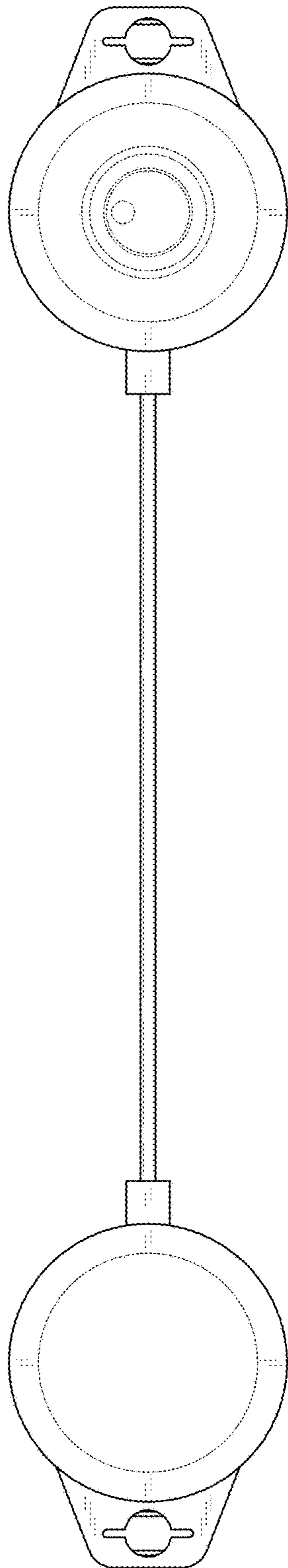


FIG. 3

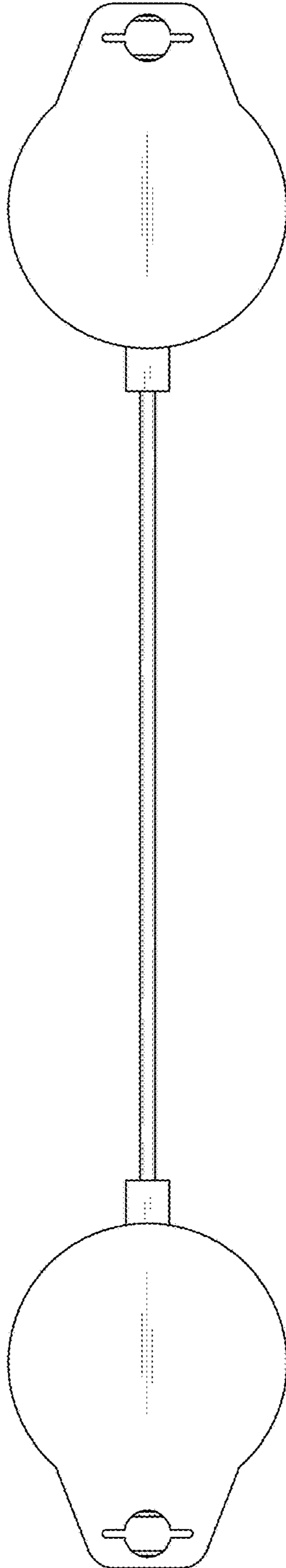


FIG. 4

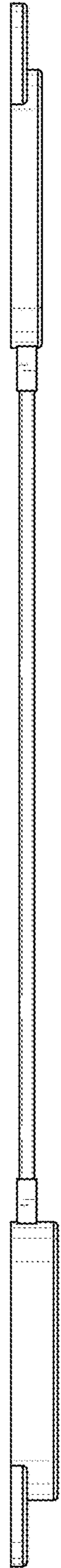


FIG. 5

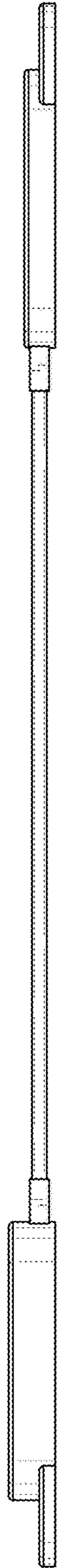


FIG. 6



FIG. 7



FIG. 8

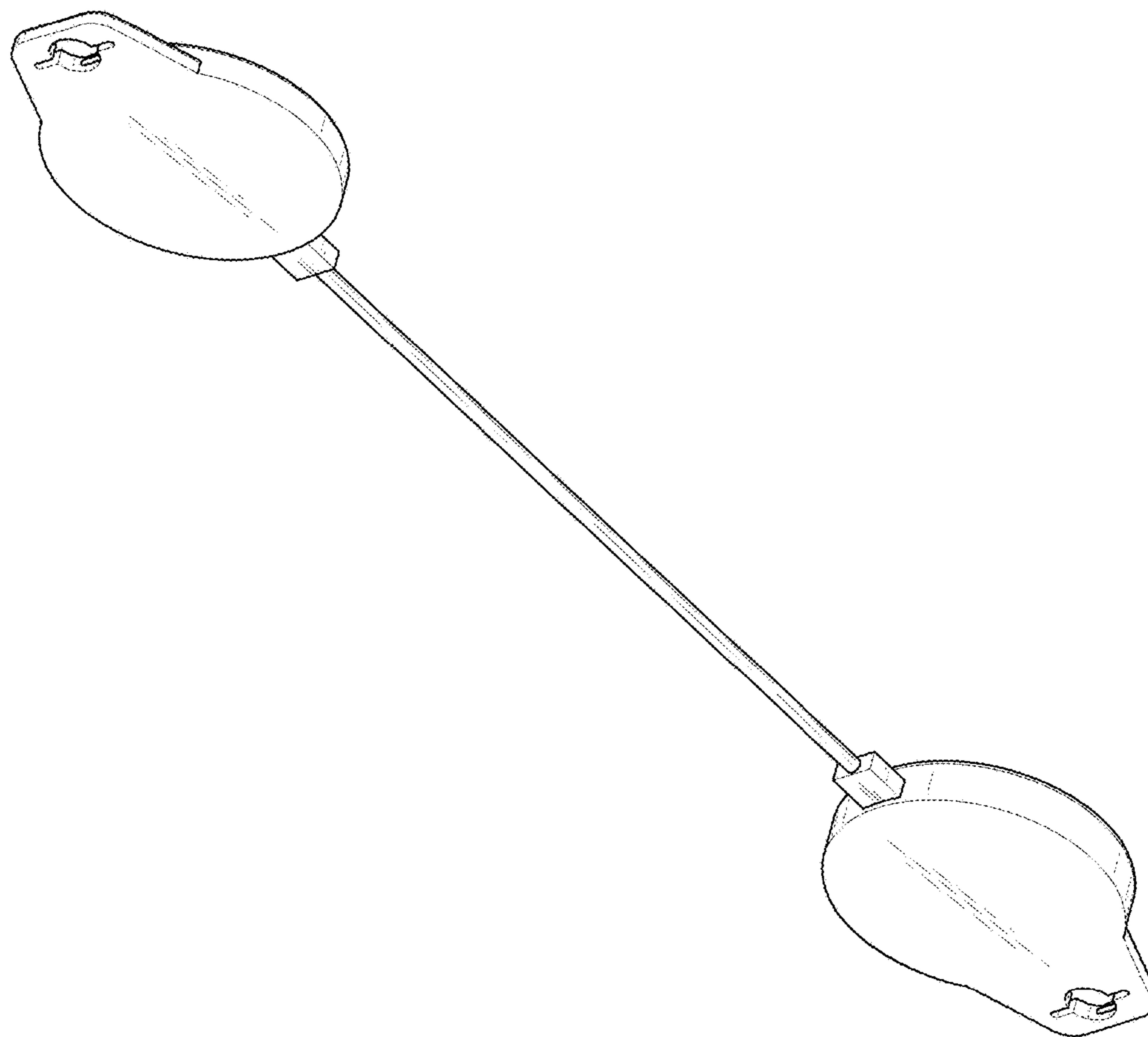


FIG. 9

