



US00D811595S

(12) **United States Design Patent**
Boulanger

(10) **Patent No.:** **US D811,595 S**
(45) **Date of Patent:** **** Feb. 27, 2018**

(54) **NEGATOSCOPE**
(71) Applicant: **R&A, Chalindrey (FR)**
(72) Inventor: **Franck Boulanger, Chalindrey (FR)**
(**) Term: **15 Years**
(21) Appl. No.: **35/501,170**
(22) Filed: **Jan. 7, 2016**
(80) **Hague Agreement Data**
Int. Filing Date: **Jan. 7, 2016**
Int. Reg. No.: **DM/089354**
Int. Reg. Date: **Jan. 7, 2016**
Int. Reg. Pub. Date: **Jul. 8, 2016**

6,088,941 A * 7/2000 Inbar G02B 27/024
40/361
7,404,266 B2 * 7/2008 Tomaka G02B 27/024
24/67.3
7,431,497 B2 * 10/2008 Lucas G03B 42/08
250/559.02
7,513,671 B2 * 4/2009 Ng H05B 33/086
362/231
D619,135 S * 7/2010 Lin D14/374
D686,615 S * 7/2013 Lee D14/374
D691,605 S * 10/2013 Won D14/374
D746,466 S * 12/2015 Ullom D24/161
D751,713 S * 3/2016 Ogura D24/158
D753,827 S * 4/2016 Sul D24/158
D768,131 S * 10/2016 Kuo D14/374
D780,927 S * 3/2017 Masuda D24/158
D781,424 S * 3/2017 Masuda D24/158
D785,621 S * 5/2017 Kim D14/374
D785,622 S * 5/2017 Kim D14/374
D788,107 S * 5/2017 Lee D14/374

(51) **LOC (11) Cl.** **24-01**
(52) **U.S. Cl.**
USPC **D24/158**
CPC **G06F 1/16 (2013.01)**
(58) **Field of Classification Search**
USPC D14/371-375, 125-129, 336, 337, 341,
D14/239; 341/12; 345/104, 156-173;
348/180-184, 325, 739; 349/1-11, 62;
361/679.05-679.07, 679.21; D24/158
CPC G06F 1/16; G06F 1/1601; G06F 3/037;
G06F 1/162; G06F 1/1613; G06F
1/133308; F16M 11/02; F16M 11/10;
F16M 11/00; F16M 11/06; F16M 11/18;
F16M 11/045; F16M 11/105; F16M
11/126; F16M 11/041
See application file for complete search history.

* cited by examiner

Primary Examiner — Richard E Chilcot

(57) **CLAIM**

The ornamental design for negatoscope, as shown and described.

DESCRIPTION

1. Negatoscope

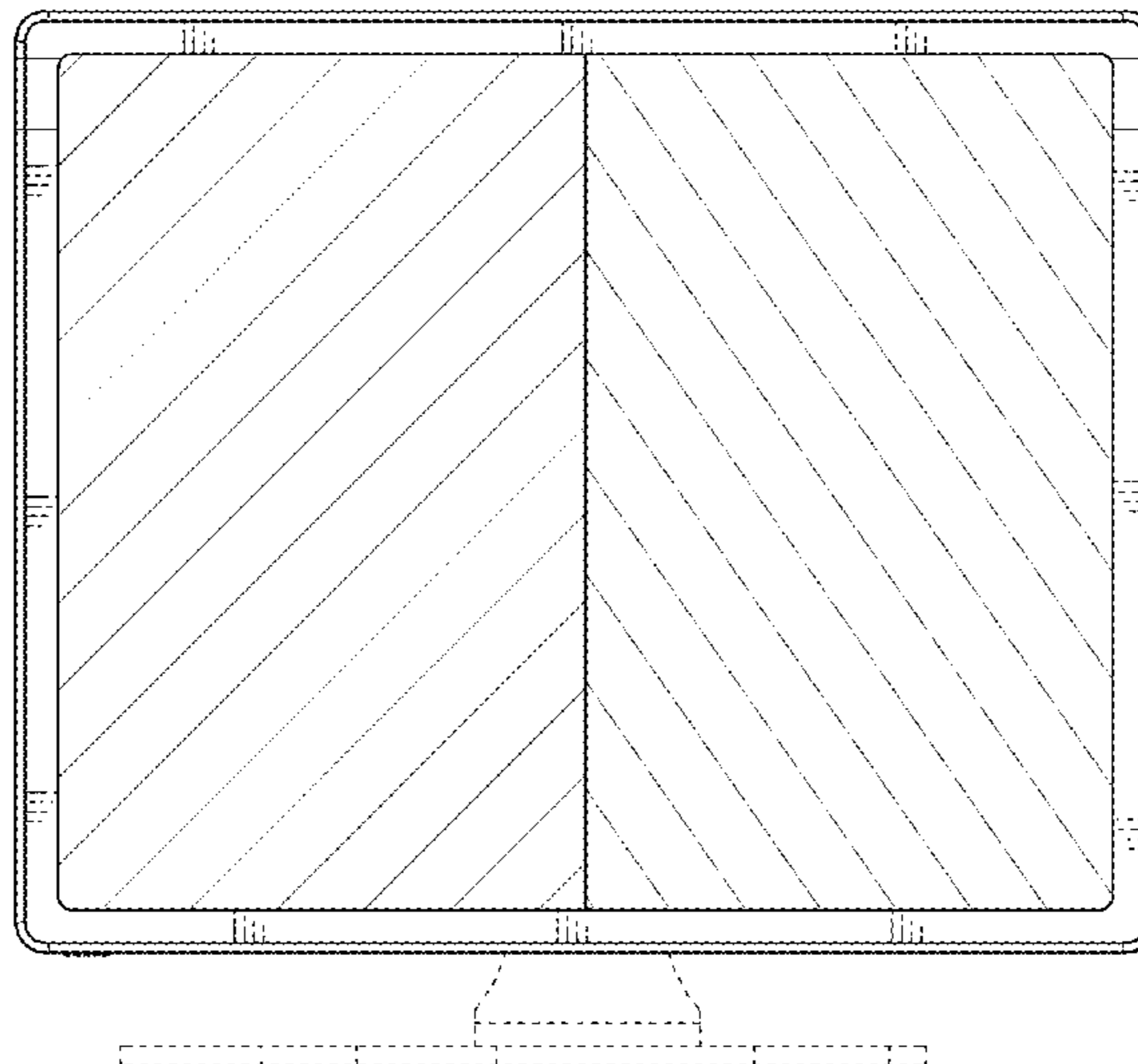
- 1.1 : Front
- 1.2 : Back
- 1.3 : Top
- 1.4 : Bottom
- 1.5 : Perspective
- 1.6 : Perspective
- 1.7 : Perspective

The features shown in dash-dash broken lines are parts of the negatoscope that form no part of the claimed design.

(56) **References Cited**
U.S. PATENT DOCUMENTS

D282,397 S * 1/1986 Martin D16/225
D285,000 S * 8/1986 Stratton D16/221

1 Claim, 7 Drawing Sheets



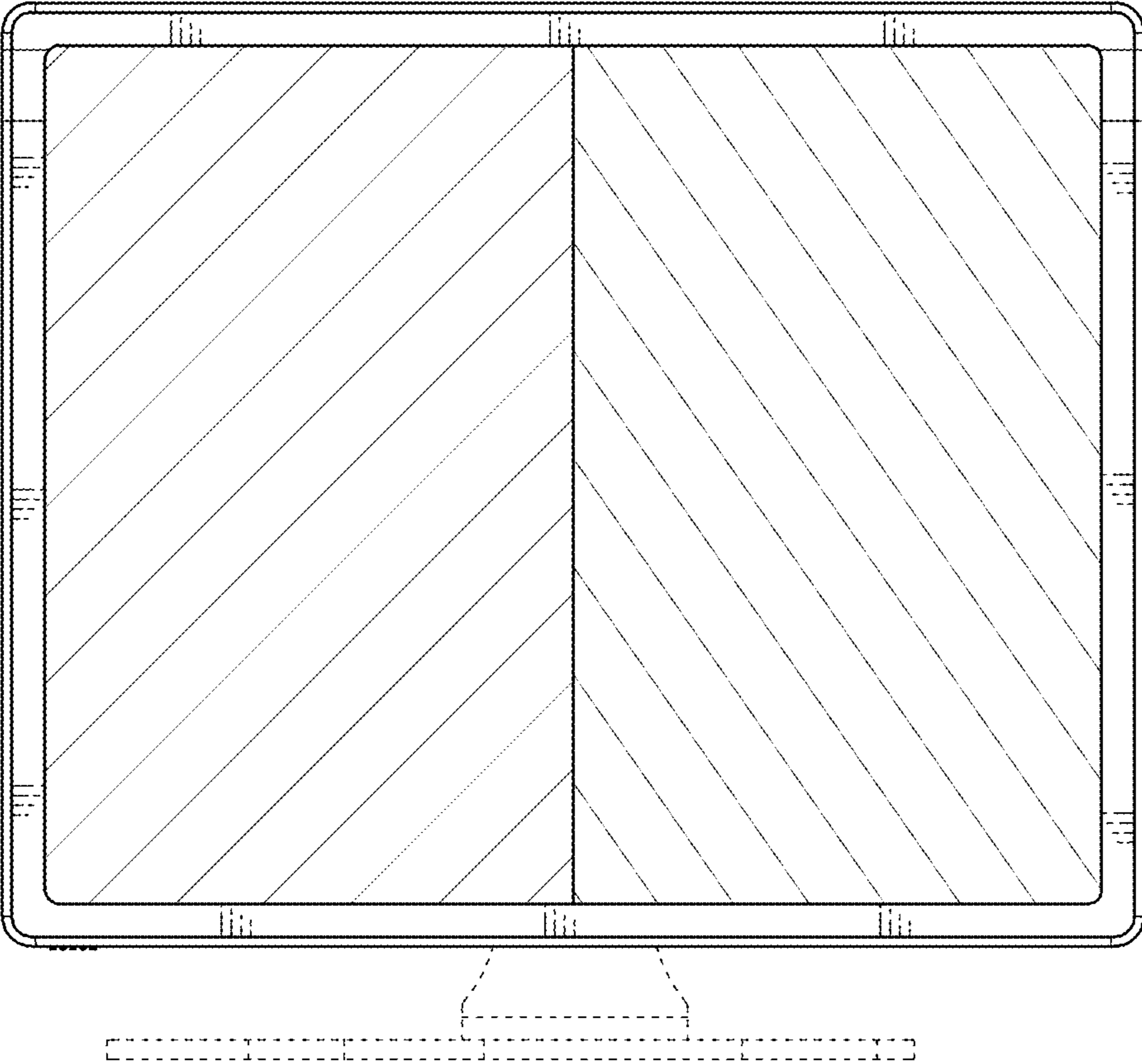


FIG. 1.1

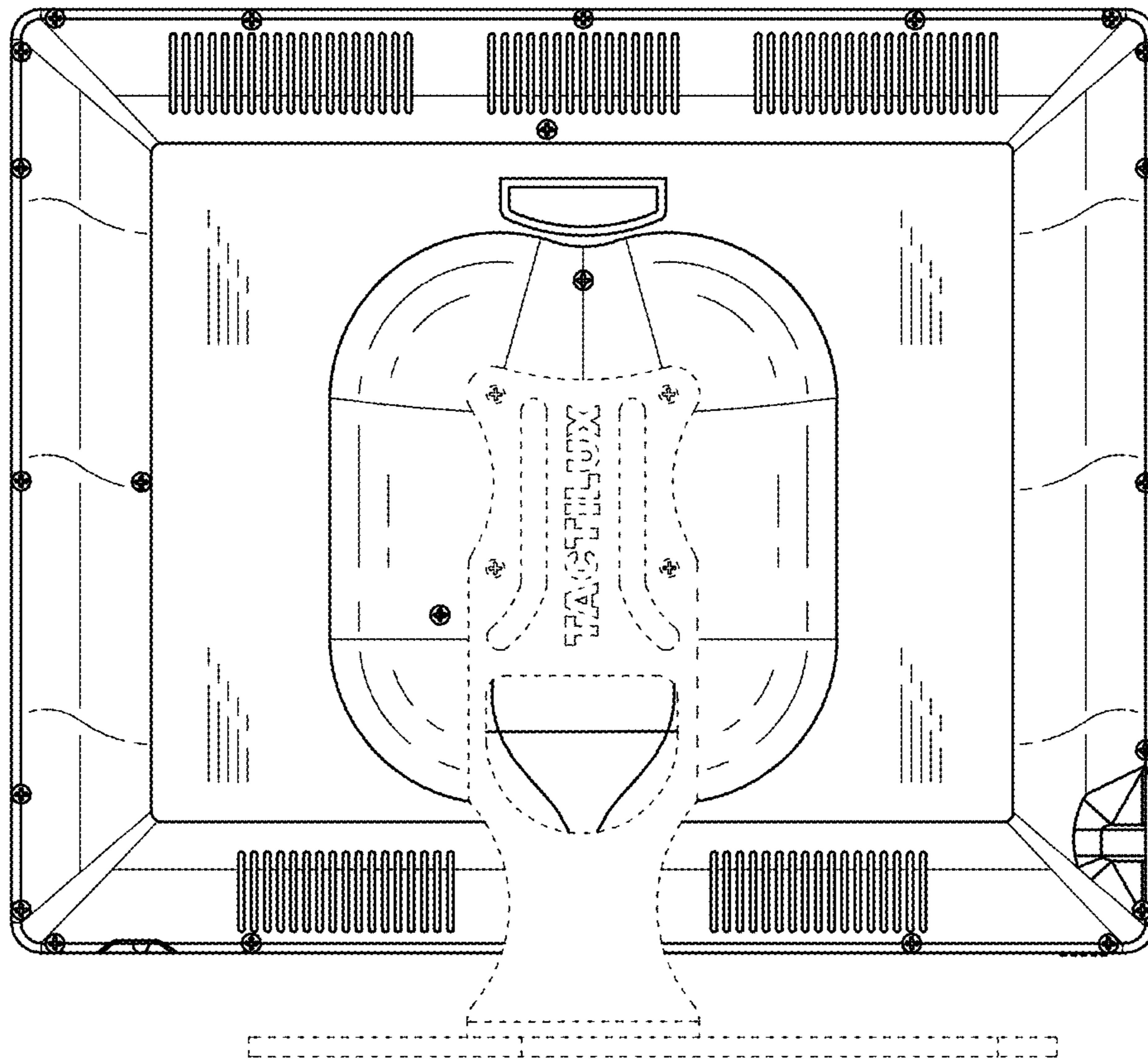


FIG. 1.2

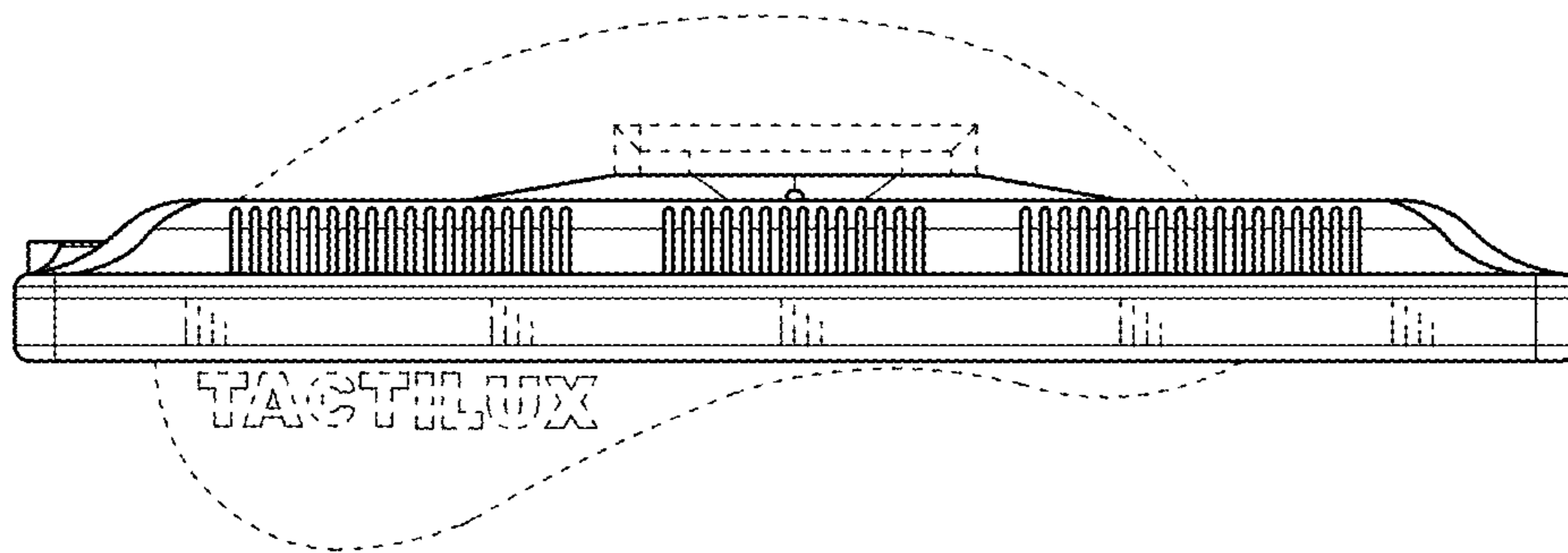


FIG. 1.3

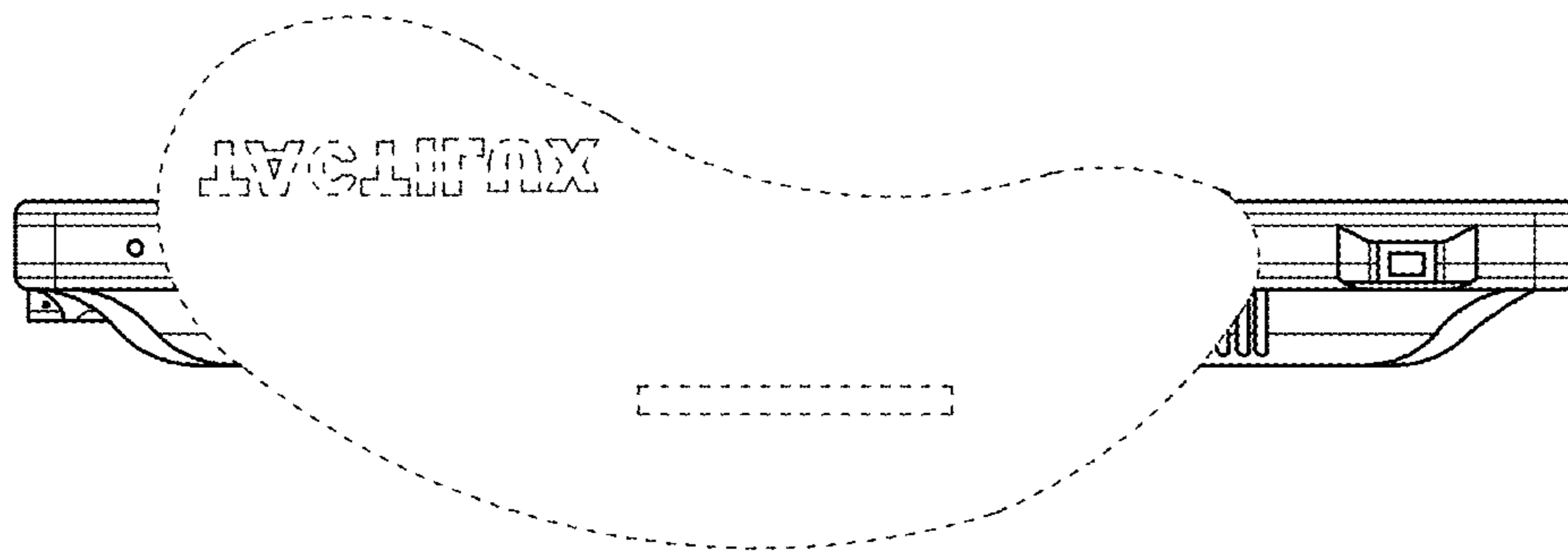


FIG. 1.4

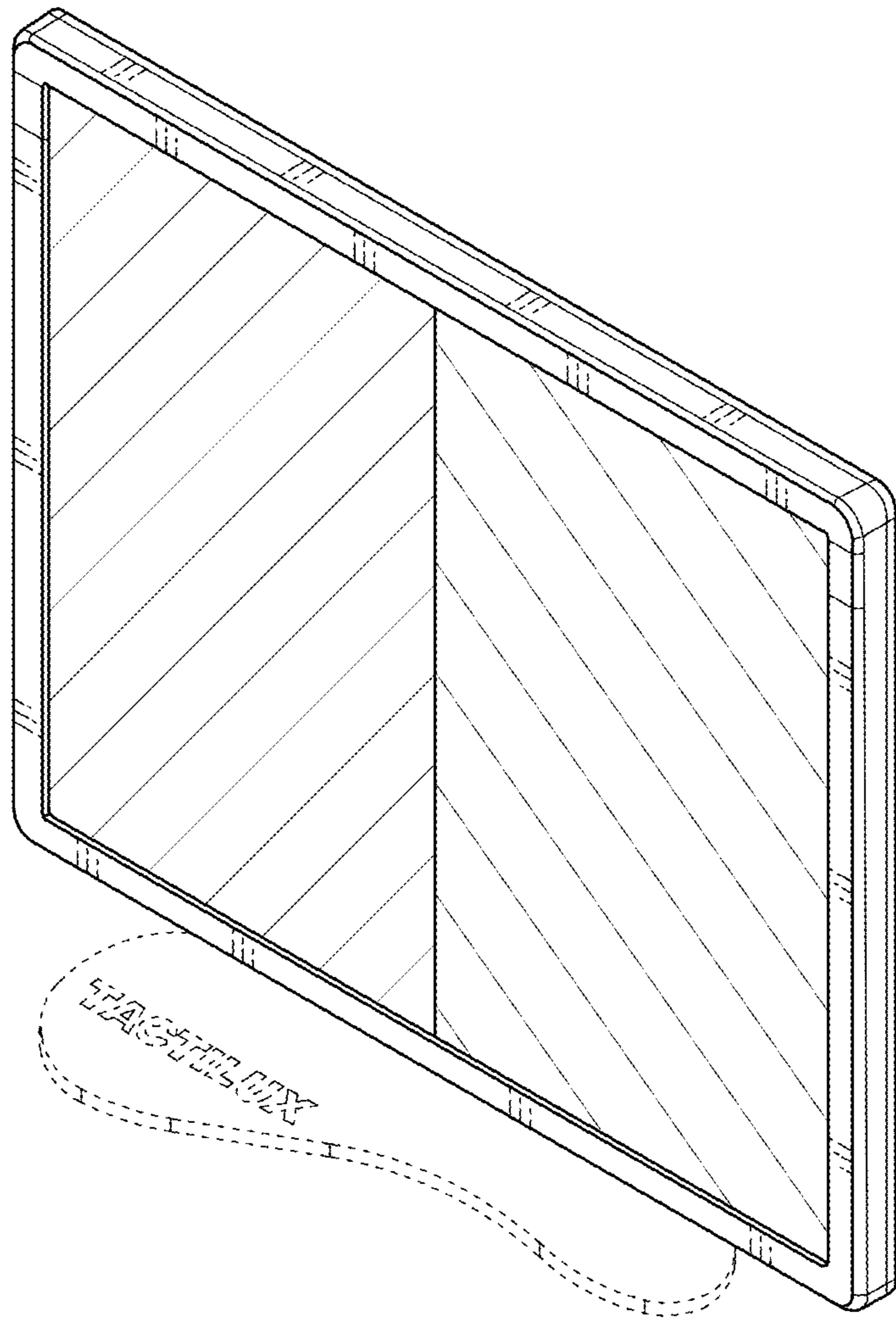


FIG. 1.5

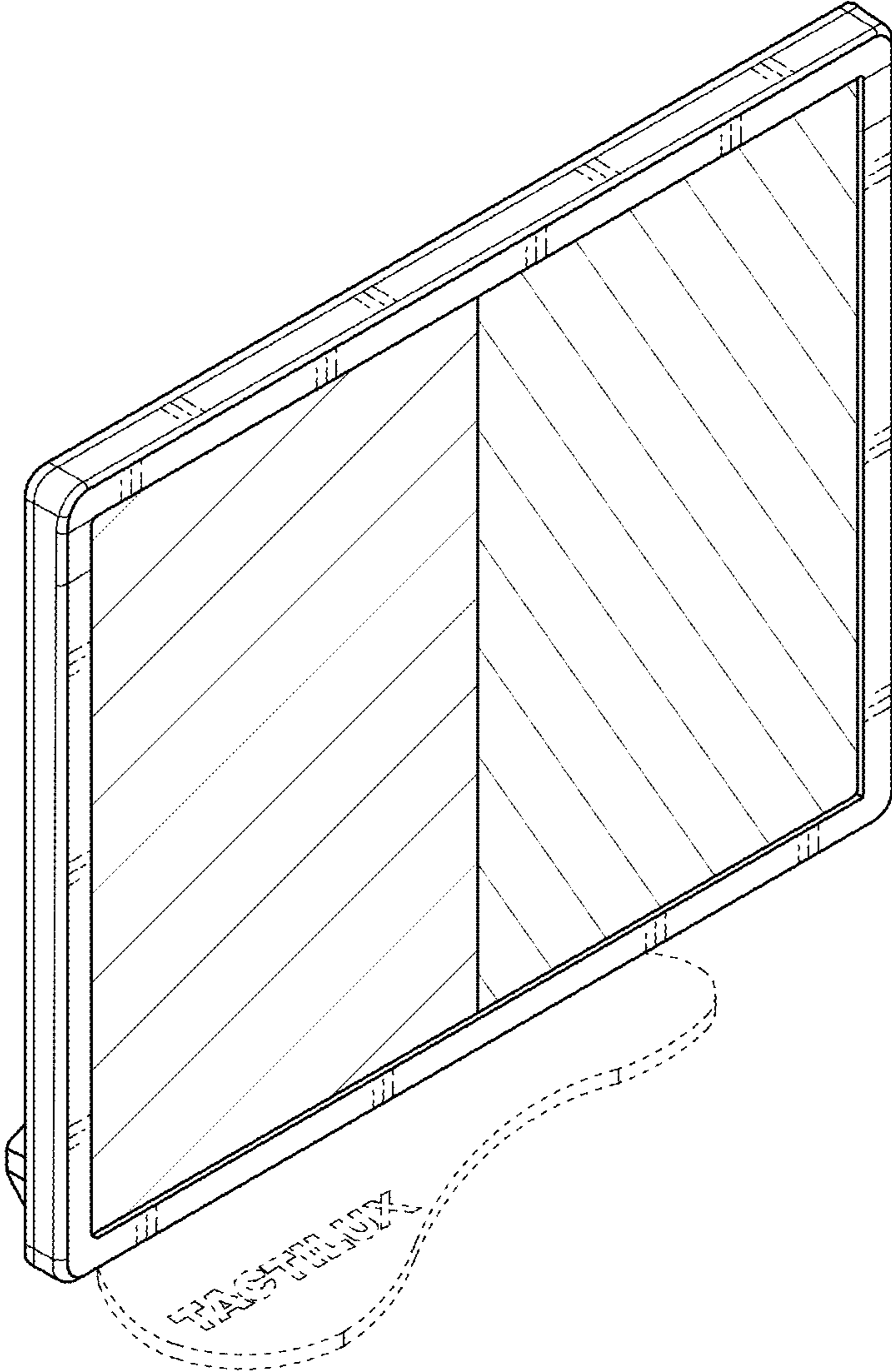


FIG. 1.6

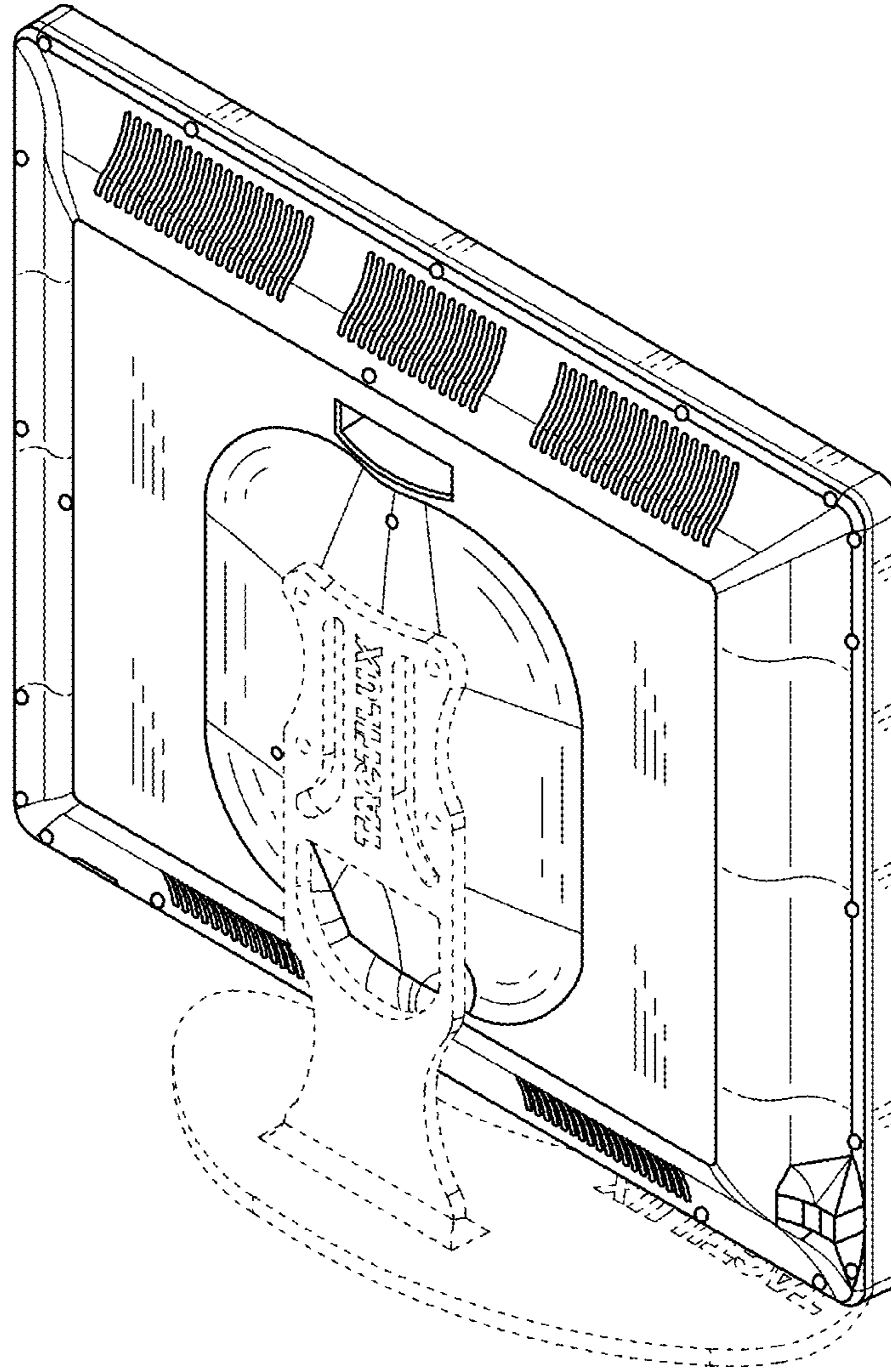


FIG. 1.7